

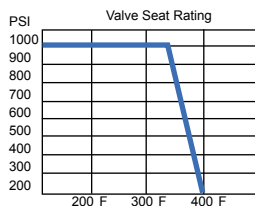
4372 SERIES

FULL PORT STAINLESS STEEL BALL VALVES 2 PIECE INVESTMENT CAST - IPS w/LOCKING HANDLE (1000 WOG/150 WSP) - ISO 9001

Designed for commercial and industrial use with a broad range of fluid handling applications. This approved Webstone heavy duty 316 stainless steel investment cast body features a solid stainless steel ball with Teflon® seats. The valve is actuated by a blowout proof stem with a Teflon® seal and features an adjustable packing nut. Vinyl coated stamped 304 stainless steel handle with locking device.



**OVAL HANDLE OPTION
4372-OH SERIES**



All Teflon® seated valves
Maximum Temperature is 400°F @ 100 PSI

PRESSURE RATING
1000 WOG non-shock
150 WSP

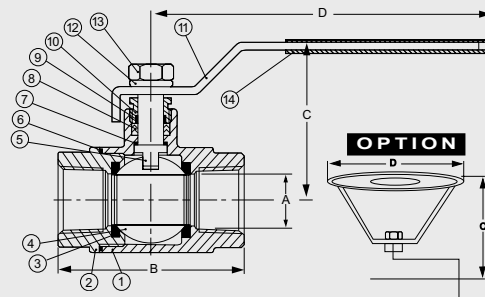
1. Conforms to Federal Spec. WWV-35C
2. Threaded ends comply with ANSI B1.20.1
3. Teflon® seats withstand temperatures from -40°F to 400°F
4. Manufactured in an ISO 9001 Facility

Teflon® is a registered trademark of Dupont.

THIS SPACE FOR DESIGNER / ENGINEER APPROVAL

Job/Customer _____	Date _____	Contractor _____
Model Specified _____	Qty _____	Approved By _____
Designer/Engineer _____	Date _____	Contractor's PO # _____
Submitted by _____	Date _____	Other _____

1.	BODY	ASTM A351.GR.CF8MSS316
2.	END CAP	ASTM A351.GR.CF8MSS316
3.	SEATS	TEFLON® (PTFE+15%G.F.)
4.	BALL	ASTM A351.GR.CF8MSS316
5.	STEM	ASTM A351.GR.CF8MSS316
6.	JOINT GASKET	TEFLON® (PTFE+15%G.F.)
7.	THRUST WASHER	TEFLON® (PTFE+15%G.F.)
8.	STEM SEAL	TEFLON® (PTFE+15%G.F.)
9.	GLAND BUSHING	TEFLON® (PTFE+15%G.F.)
10.	PACKING GLAND	SS 304
11.	LEVER + OVAL HANDLE	SS 304
12.	SPRING WASHER	SS 304
13.	NUT	SS 304
14.	HANDLE JACKET	VINYL GRIP



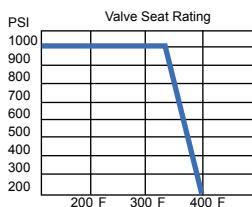
ITEM	SIZE	CTN/CS	A	B	C	D	C _v
43720	1/4	2/40	3/8	1 5/16	1 11/16	3 3/8	7.51
43721	3/8	2/40	3/8	1 7/8	1 3/4	3 1/4	8.64
43722	1/2	4/40	1/2	2 7/16	2 3/4	4	14.28
43723	3/4	2/24	3/4	2 15/16	2 1/2	5	29.16
43724	1	2/24	1	3 15/16	3	5 3/4	56.46
43725	1 1/4	2/12	1 1/4	4	3	5 3/4	114.03
43726	1 1/2	2/12	1 1/2	4 1/4	4	7 1/4	161.30
43727	2	2/8	2	4 3/4	3 7/8	6 1/2	248.61
43722-OH	1/2	2/40	1/2	2 7/16	2 3/4	3 7/8	14.28
43723-OH	3/4	2/24	3/4	2 15/16	3	4	29.16
43724-OH	1	2/24	1	3 15/16	3	5	56.46

Cv The number of gallons of water per minute that pass through the valve at a 1 b pressure drop.

4390 SERIES

STANDARD PORT STAINLESS STEEL BALL VALVES 1 PIECE INVESTMENT CAST - IPS w/LOCKING HANDLE (1000 WOG/150 WSP) - ISO 9001

Designed for commercial and industrial use with a broad range of fluid handling applications. This approved Webstone heavy duty 316 stainless steel investment cast body features a solid stainless steel ball with Teflon® seats. The valve is actuated by a blowout proof stem with a Teflon® seal and features an adjustable packing nut. Vinyl coated stamped 304 stainless steel handle with locking device.



All Teflon® seated valves
Maximum Temperature is 400°F @ 100 PSI

PRESSURE RATING
1000 WOG non-shock
150 WSP

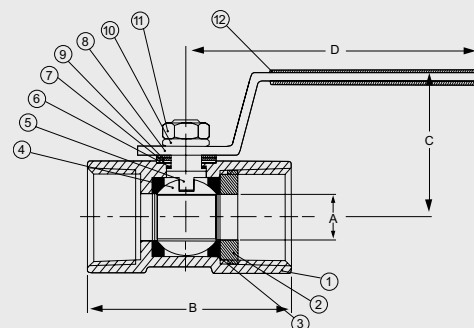
1. Conforms to Federal Spec. WWV-35C
2. Threaded ends comply with ANSI B1.20.1
3. Teflon® seats withstand temperatures from -40°F to 400°F
4. Manufactured in an ISO 9001 Facility

Teflon® is a registered trademark of Dupont.

THIS SPACE FOR DESIGNER / ENGINEER APPROVAL

Job/Customer _____	Date _____	Contractor _____
Model Specified _____	Qty _____	Approved By _____
Designer/Engineer _____	Date _____	Contractor's PO # _____
Submitted by _____	Date _____	Other _____

1.	BODY	ASTM A351.GR.CF8MSS316
2.	SEAT RETAINER	ASTM A351.GR.CF8MSS316
3.	SEATS	TEFLON® (PTFE+15%G.F.)
4.	BALL	ASTM A351.GR.CF8MSS316
5.	STEM	ASTM A351.GR.CF8MSS316
6.	THRUST WASHER	TEFLON® (PTFE+15%G.F.)
7.	PACKING GLAND	SS 304
8.	LEVER HANDLE	SS 304
9.	FLAT WASHER	SS 304
10.	SPRING WASHER	SS 304
11.	NUT	SS 304
12.	HANDLE JACKET	VINYL GRIP



Item	Size	CTN/CS	A	B	C	D	C _v
43900	1/4	2/100	3/16	1 1/2	1 1/2	3	4.81
43901	3/8	5/50	5/16	1 3/4	1 3/4	3 1/4	6.18
43902	1/2	5/50	3/8	2 1/4	1 7/8	3 3/4	7.62
43903	3/4	2/48	1/2	2 1/4	1 7/8	3 7/8	13.60
43904	1	2/24	3/8	2 3/4	1 3/4	4 1/2	25.02
43905	1 1/4	2/12	3/4	3 1/8	2 1/8	4 1/2	36.28
43906	1 1/2	2/12	1	3 1/4	2 3/8	5 1/2	92.00
43907	2	2/8	1 1/4	4 7/8	2 5/8	5 1/2	139.44