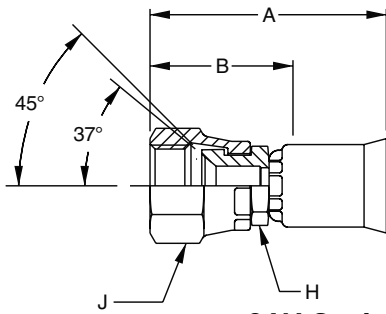


# 10691N SAE (JIC) 37° Swivel

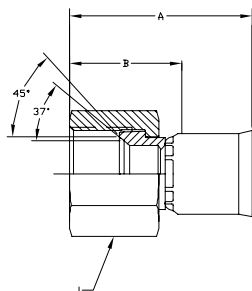


## 91N Series Permanent

*Part Number	S	B	C	Thread Size		Tube Size	A		Cutoff Allow. B		H Hex	J Hex
#												
Hose Fitting					inch	inch	inch	mm	inch	mm	inch	inch
10691N-4-4 ~				7/16-20	-4	1/4	1.43	36	7/8	22	3/8	9/16
10691N-5-5 ~		+		1/2-20	-5	5/16	1.56	40	15/16	24	7/16	5/8
10691N-6-6				9/16-18	-6	3/8	1.63	41	1	25	1/2	11/16
10691N-6-8	+	+	+	9/16-18	-8	1/2	1.69	43	1	25	9/16	11/16
10691N-8-8 ~		+		3/4-16	-8	1/2	1.89	48	1-3/16	30	11/16	7/8
10691N-8-10 ~	+	+		3/4-16	-10	5/8	1.86	58	1-1/8	29	3/4	7/8
10691N-10-10 ~		+		7/8-14	-10	5/8	2.03	52	1-5/16	33	13/16	1
10691N-12-12		+		1-1/16-12	-12	3/4	2.12	54	1-5/16	33	1	1-1/4
10691N-16-16		+		1-5/16-12	-16	1	2.45	62	1-9/16	40	1-1/4	1-1/2
10691-20-20	+	+		1-5/8-12	-20	1-1/4	2.98	76	1-13/16	46	1-11/16	2

- \* Brass nipple, steel nut, shell.
- ~ These fittings contain a dual seat that accepts both the JIC (37 deg.) and SAE (45 deg.) male configurations. The size -6 and -12 swivel fittings are shown under part number 10891N.
- S - Steel nipple, steel nut, shell.
- B - Brass nipple, brass nut, shell.
- C - All components 303 stainless steel.

# 10691NRD



## 91N Series Permanent

*Part Number	B	C	Thread Size		Tube Size	A		Cutoff Allow. B		J Hex	
#											
Hose Fitting					inch	inch	inch	mm	inch	mm	inch
10691N-4-4-RD ~ (+)	+	+	7/16-20	-4	1/4	1.34	34	13/16	21	9/16	
10691N-5-5-RD ~ (+)	+	+	1/2-20	-5	5/16	1.51	38	7/8	22	5/8	
10691N-6-6-RD (+)	+	+	9/16-18	-6	3/8	1.60	41	15/16	24	11/16	
10691N-8-8-RD ~ (+)	+	+	3/4-16	-8	1/2	1.79	45	1-1/16	27	7/8	
10691N-10-10-RD ~	+	+	7/8-14	-10	5/8	1.91	49	1-3/16	30	1	
10691N-12-12-RD	+	+	1-1/16-12	-12	3/4	2.09	58	1-5/16	33	1-1/4	
10691N-16-16-RD ~ (+)	+	+	1-5/16-12	-16	1	2.27	58	1-5/16	33	1-1/2	

- \* Brass nipple, steel nut, shell.
- ~ These fittings contain a dual seat that accepts both the JIC (37 deg.) and SAE (45 deg.) male configurations. The size -6 and -12 swivel fittings are shown under part number 10891N.
- B - Brass nipple, brass nut, shell.
- C - All components 303 stainless steel.

[+] Non Standard. See page ii for information on non-standard products.

Hydraulic & Pneumatic Hose & Fit.  
PTFE Hose & Fittings  
Thermoplastic Tubing  
Coiled Air Hose, Fittings & Accessories  
Truck (Fleet) Products  
Tooling & Equipment  
Hose Accessories  
Technical & Design Information  
Approvals & Guides  
numeric index