

Accessory Selection Guide – HC, 88HC-H and 88DB Clamp

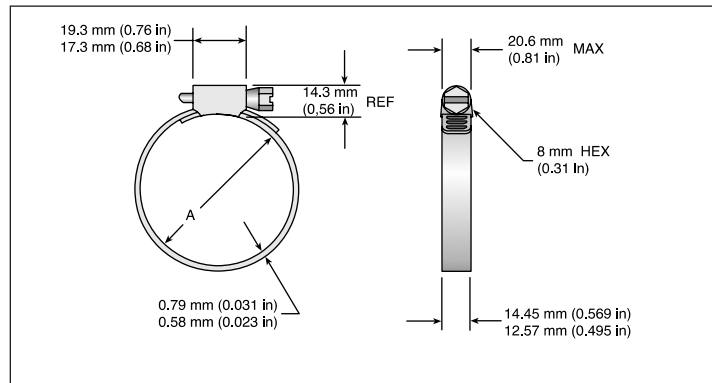
The Parker HC Clamp is a stainless steel worm gear clamp designed for low pressure industrial hose applications.

Material: Stainless steel

Specifications: SAE J1508, Type F and Type HD

HC Hose Clamp Table

Part Number	Size (SAE)	"A" Clamp Diameter			
		Minimum		Maximum	
		mm	inch	mm	inch
HC-6	-8	12	0.48	25	1.00
HC-8	-10	13	0.50	28	1.12
HC-10	-12	13	0.50	32	1.25
88HC-12	-16	19	0.75	38	1.50
88HC-16	-20	19	0.75	44	1.75
88HC-20	-24	25	1.00	51	2.00
88HC-24	-28	33	1.31	57	2.25



88HC-H

Series Hose Clamp
(High Torque Wormgear)

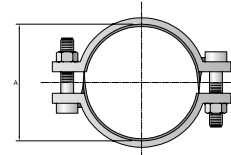
# Part Number	Hose I.D. inch
88HC-16H	3/4
88HC-16H	1
88HC-20H	1-1/4
88HC-32H	1-1/2
88HC-32H	2
88HC-40H	2-1/2
88HC-48H	3



88DB

Series Heavy Duty Hose Clamp
(Double Bolt Hose Clamp)

# Part Number	Hose I.D. inch
88DB-12	3/4
88DB-16	1
88DB-20	1-1/4
88DB-24	1-1/2
88DB-32	2



Note: See 88 Series Assembly Instructions for proper 88HC-H clamp attachment.