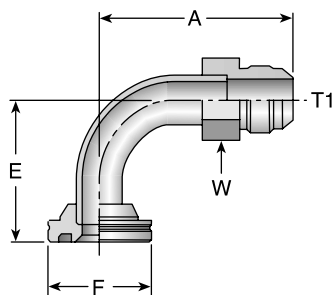


Hose
A

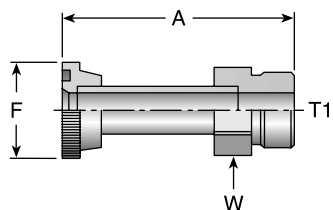


6NH3

SAE Code 62 Flange - Male SAE (JIC) 37° Flare - 90° Elbow

# Part Number	Flange inch	Thread T1	A		E		W inch	F inch	
			inch	mm	inch	mm			
6NH3-12-12	3/4	3/4	1-1/16x12	3.07	78	2.24	57	1-1/8	1-5/8
6NH3-16-16	1	1	1-5/16x12	3.58	91	2.81	71	1-3/8	1-7/8
6NH3-20-20	1-1/4	1-1/4	1-5/8x12	4.68	119	2.99	76	1-3/4	2-1/8
6NH3-24-24	1-1/2	1-1/2	1-7/8x12	3.92	100	3.64	92	2	2-1/2

Fittings
B

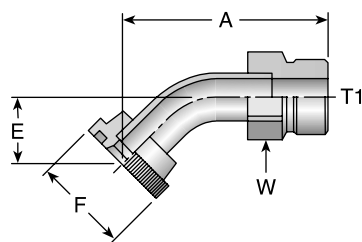


4AJM

Code 61 Flange - Male Seal-Lok

# Part Number	Flange inch	Thread T1	A		W inch	F inch
			inch	mm		
4AJM-12-12	1x1/2	1-3/16x12	3.65	93	1-1/4	1-1/2
4AJM-16-16	1x3/4	1-7/16x12	3.90	99	1-1/2	1-3/4
4AJM-20-20	2	1-11/16x12	3.92	100	1-3/4	2

Equipment
C

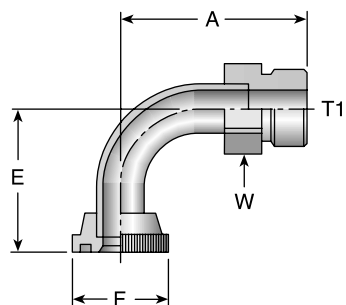


4FJM

Code 61 Flange - Male Seal-Lok - 45° Elbow

# Part Number	Flange inch	Thread T1	A		E		W inch	F inch
			inch	mm	inch	mm		
4FJM-12-12	1x1/2	1-3/16x12	3.22	82	1.06	27	1-1/4	1-1/2
4FJM-16-16	1x3/4	1-7/16x12	3.64	92	1.27	33	1-1/2	1-3/4
4FJM-20-20	2	1-11/16x12	3.99	101	1.36	35	1-3/4	2

Accessories
D



4NJM

Code 61 Flange - Male Seal-Lok - 90° Elbow

# Part Number	Flange inch	Thread T1	A		E		W inch	F inch
			inch	mm	inch	mm		
4NJM-12-12	1x1/2	1-3/16x12	2.90	74	2.24	57	1-1/4	1-1/2
4NJM-16-16	1x3/4	1-7/16x12	3.38	86	2.81	71	1-1/2	1-3/4
4NJM-20-20	2	1-11/16x12	4.44	113	2.99	76	1-3/4	2

Technical
E