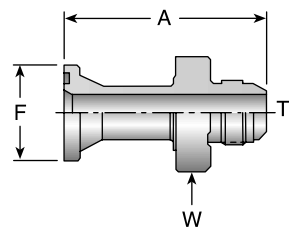


15T3

SAE (Code 61) Flange – Male SAE (JIC) 37° Flare

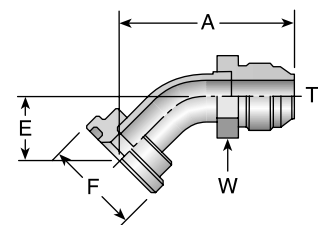
# Part Number	Flange inch	Thread T1	A		W inch	F inch
			inch	mm		
15T3-8-8	1/2	3/4x16	2.80	71	1-1/4	1-3/16
15T3-12-12	3/4	1-1/16x12	3.20	81	1-9/16	1-1/2
15T3-16-12	1	1-1/16x12	2.68	47	1-1/8	1-3/4
15T3-16-16	1	1-5/16x12	3.22	82	1-7/8	1-3/4
15T3-20-16	1-1/4	1-5/16x12	2.76	51	1-3/8	2
15T3-20-20	1-1/4	1-5/8x12	3.69	94	2-1/4	2
15T3-24-24	1-1/2	1-7/8x12	4.04	103	2-1/2	2-3/8
15T3-32-32	2	2-1/2x12	4.44	113	2-7/8	2-13/16



17T3

SAE (Code 61) Flange – Male SAE (JIC) 37° Flare - 45° Elbow

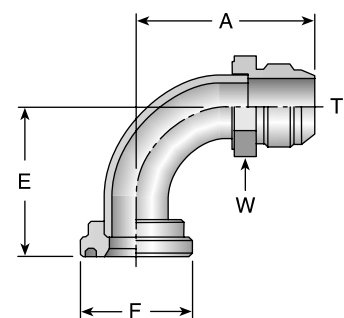
# Part Number	Flange inch	Thread T1	A		E		W inch	F inch
			inch	mm	inch	mm		
17T3-8-8	1/2	3/4x16	2.54	65	0.78	20	13/16	1-3/16
17T3-12-12	3/4	1-1/16x12	2.76	70	1.00	25	1-9/16	1-1/2
17T3-16-12	1	1-1/16x12	2.76	70	1.00	25	1-1/8	1-3/4
17T3-16-16	1	1-5/16x12	2.99	76	1.06	27	1-3/8	1-3/4
17T3-20-16	1-1/4	1-5/16x12	2.99	76	1.06	27	1-7/8	2
17T3-20-20	1-1/4	1-5/8x12	3.22	82	1.12	28	1-11/16	2
17T3-24-20	1-1/2	1-5/8x12	3.26	83	1.17	30	1-11/16	2-3/8
17T3-24-24	1-1/2	1-7/8x12	3.43	87	1.12	28	2	2-3/8
17T3-32-32	2	2-1/2x12	4.02	102	1.25	32	2-5/8	2-13/16



19T3

SAE (Code 61) Flange – Male SAE (JIC) 37° Flare - 90° Elbow

# Part Number	Flange inch	Thread T1	A		E		W inch	F inch
			inch	mm	inch	mm		
19T3-8-8	1/2	3/4x16	1.92	49	1.62	41	13/16	1-13/16
19T3-12-12	3/4	1-1/16x12	2.46	62	2.12	54	1-1/8	1-1/2
19T3-16-12	1	1-1/16x12	2.46	62	2.12	54	1-3/8	1-3/4
19T3-20-12	1-1/4	1-1/16x12	2.46	62	2.12	54	1-3/8	2
19T3-16-16	1	1-5/16x12	2.79	71	2.37	60	1-3/8	1-3/4
19T3-20-16	1-1/4	1-5/16x12	2.79	71	2.37	60	1-3/8	2
19T3-24-16	1-1/2	1-5/16x12	2.79	71	2.44	62	1-11/16	2-3/8
19T3-20-20	1-1/4	1-5/8x12	3.12	79	2.50	64	1-11/16	2
19T3-24-20	1-1/2	1-5/8x12	3.12	79	2.56	65	1-11/16	2-3/8
19T3-20-24	1-1/4	1-7/8x12	3.48	88	2.69	68	2	2
19T3-24-24	1-1/2	1-7/8x12	3.48	88	2.75	70	2	2-3/8
19T3-32-24	2	1-7/8x12	3.48	88	2.75	70	2	2-13/16
19T3-32-32	2	2-1/2x12	5.61	142	4.50	114	2-5/8	2-13/16



Caution: Do not use the T3 flange to tube or swivel nut to tube adapter in hose assembly applications in which pressures exceed the SAE100R2 working pressure range.