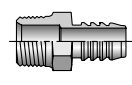
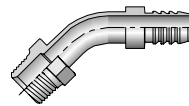
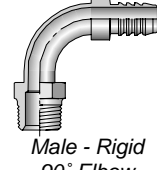

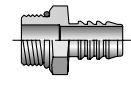

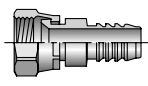
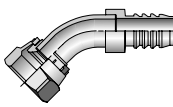
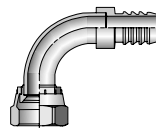

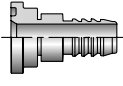
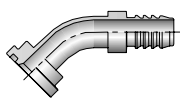
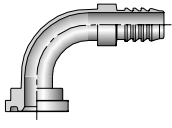

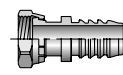
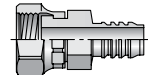

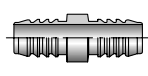

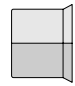



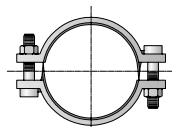

 <p>NPTF Pipe</p>	<p>0188 B-182</p>  <p>Male - Rigid</p>	<p>3188 B-182</p>  <p>Male - Rigid 45° Elbow</p>	<p>2188 B-182</p>  <p>Male - Rigid 90° Elbow</p>	 <p>Straight Thread</p>	<p>0588 B-182</p>  <p>Male - Rigid</p>
 <p>JIC 37°</p>	<p>0688 B-183</p>  <p>Female - Swivel</p>	<p>3788 B-183</p>  <p>Female - Swivel</p>	<p>3988 B-183</p>  <p>Female - Swivel</p>	 <p>Flange</p>	<p>1588 B-183</p>  <p>Flange Heads</p>
<p>1788 B-184</p>  <p>45° Elbow</p>	<p>1988 B-184</p>  <p>90° Elbow</p>	 <p>Seal-Lok® (O-Ring Face Seal)</p>	<p>JS88 B-184</p>  <p>Female - Swivel Long</p>	<p>JC88 B-184</p>  <p>Female - Swivel Short</p>	 <p>Union</p>
<p>8888 B-185</p>  <p>Union</p>	 <p>81 Series Crimp Shell</p>	<p>81 Series consists of a 10081 crimp shell and is completed by adding any 88 Series fittings.</p>	<p>10081 B-185</p>  <p>81 Series Crimp Shell</p>	 <p>Hose Clamp</p>	<p>88HC B-185</p>  <p>Hose Clamp</p>
<p>88HC-H B-185</p>  <p>Hose-Clamp</p>	<p>88DB B-185</p>  <p>Heavy Duty Clamp</p>	 <p>Assembly Instructions</p>	<p>88 Series Assembly Instructions</p>	<p>81 Series Assembly Instructions - See Section C for crimping instructions.</p>	

Hose	A
Fittings 88 Series	B
Equipment	C
Accessories	D
Technical	E