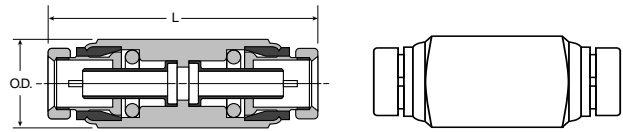


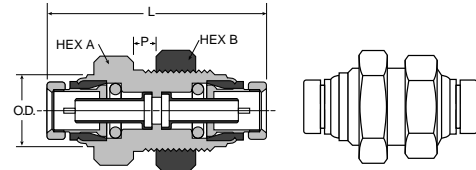
Union 62PMT

PART NO.	TUBE SIZE	L	O.D.
62PMT-4	1/4	1.48	.50
62PMT-4-2	1/4-1/8	1.48	.50
62PMT-6	3/8	1.87	.75
62PMT-6-4	3/8-1/4	1.68	.75
62PMT-8	1/2	2.03	.88
62PMT-10	5/8	2.42	1.00



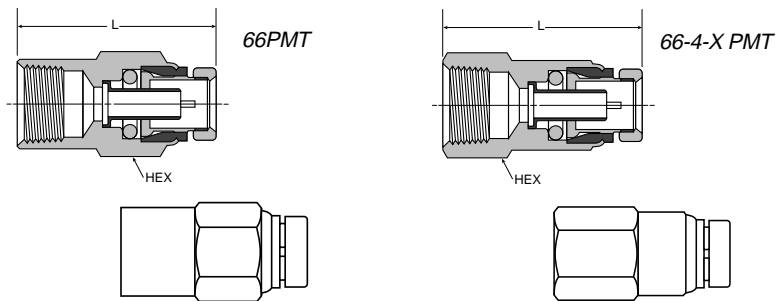
Bulkhead Union 62PMTBH

PART NO.	TUBE SIZE	O.D.	L	P MAX	HEX A	HEX B	BULKHEAD HOLE DIA.
62PMTBH-4	1/4	.56	1.69	.25	11/16	3/4	9/16
62PMTBH-6	3/8	.88	1.93	.44	1-1/16	1-1/16	7/8
62PMTBH-8	1/2	1.00	2.02	.58	1-1/4	1-1/4	1
62PMTBH-10	5/8	1.12	2.92	.81	1-1/4	1-3/8	1-1/8



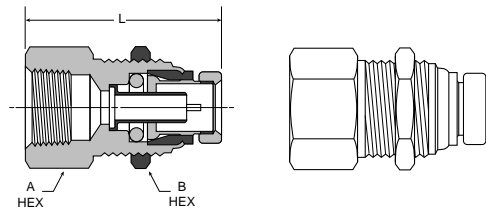
Female Connector 66PMT

PART NO.	TUBE SIZE	PIPE THREAD	L	HEX
66PMT-4-2	1/4	1/8	1.22	9/16
66PMT-4-4	1/4	1/4	1.43	11/16
66PMT-6-2	3/8	1/8	1.37	3/4
66PMT-6-4	3/8	1/4	1.58	3/4
66PMT-6-6	3/8	3/8	1.62	13/16
66PMT-8-4	1/2	1/4	1.69	7/8
66PMT-8-6	1/2	3/8	1.68	7/8
66PMT-8-8	1/2	1/2	1.91	1



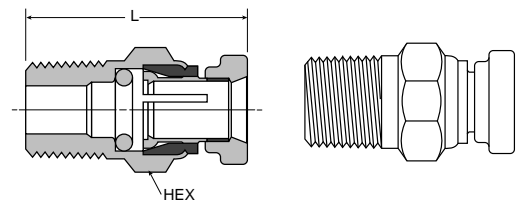
Bulkhead Female Connector 66PMTBH

PART NO.	TUBE SIZE	PIPE THREAD	L	HEX A	HEX B	BULKHEAD HOLE DIA.
66PMTBH-4-4	1/4	1/4	1.62	11/16	3/4	9/16
66PMTBH-6-6	3/8	3/8	1.87	1.06	1.06	7/8
66PMTBH-8-8	1/2	1/2	2.02	1-1/4	1-1/4	1



Male Connector 68PM

PART NO.	TUBE SIZE	PIPE THREAD	HEX	L
68PM-2-1	1/8	1/16	3/8	.93
68PM-2-2	1/8	1/8	7/16	.88
68PM-5/32-1	5/32	1/16	3/8	.95
68PM-5/32-2	5/32	1/8	7/16	.74
68PM-5/32-4	5/32	1/4	9/16	.99
68PM-3-1	3/16	1/16	7/16	.95
68PM-3-2	3/16	1/8	7/16	.92
68PM-3-4	3/16	1/4	9/16	1.10



† U.S. Patent No. 5,683,120