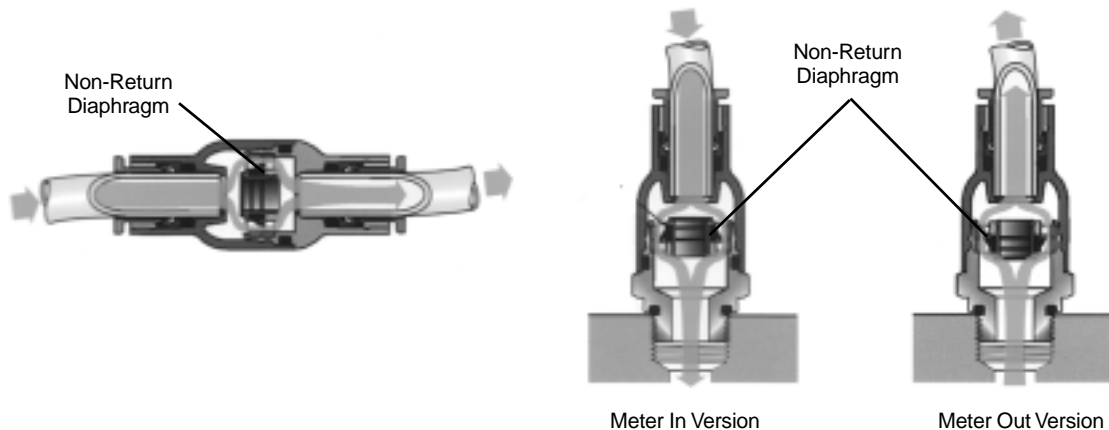


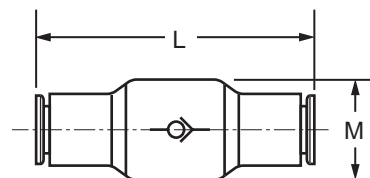
Non-Return Valves

Parker Non-Return Valves allow air to pass in one direction while blocking flow in the other direction. A pressure of more than 7 psi will overcome the spring pressure, which is keeping the valve closed, thus allowing the passage of air.



In-Line Non-Return Valve NRV800

PART NO.	TUBE SIZE	L	M
NRV800-5/32	5/32	1.52	.63
NRV800-4	1/4	1.61	.63
NRV800-5	5/16	2.03	.75
NRV800-6	3/8	2.50	.91



Male Thread Non-Return Valve NRV808

PART NO.	TUBE SIZE	THREAD SIZE	C HEX	L
NRV808-5/32-0	5/32	10-32	.35	1.26
NRV808-5/32-2	5/32	1/8	.63	1.12
NRV808-4-2	1/4	1/8	.75	1.42
NRV808-4-4	1/4	1/4	.75	1.42
NRV808-6-4	3/8	1/4	.91	1.65
NRV808-6-6	3/8	3/8	.91	1.65

