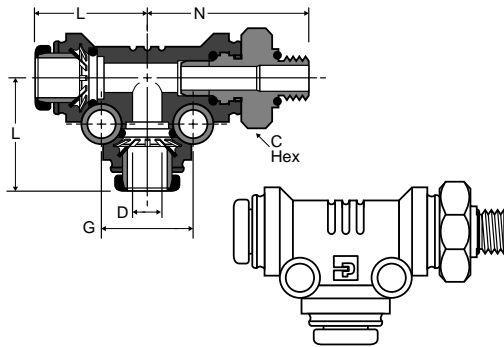


Male Run Tee Swivel PLR2BF4-K BSPP

Composite Body

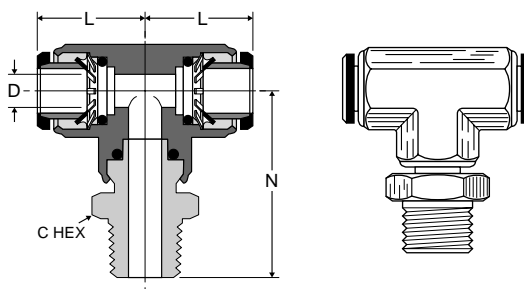
PART NO.	TUBE SIZE	PIPE THREAD BSPP	C HEX	MOUNTING HOLE DIA.	L	N	G	D
3-1/4PLR2BF4-K	3/16	1/4-19	3/4	.17	.76	1.31	.64	.150
4-1/8PLR2BF4-K	1/4	1/8-28	11/16	.17	.76	1.06	.64	.170
4-1/4PLR2BF4-K	1/4	1/4-19	3/4	.17	.76	1.31	.64	.170
6-1/4PLR2BF4-K	3/8	1/4-19	3/4	.17	1.04	1.52	.83	.300
6-3/8PLR2BF4-K	3/8	3/8-19	7/8	.17	1.04	1.68	.83	.300
8-3/8PLR2BF4-K	1/2	3/8-19	7/8	.17	1.30	1.90	.99	.340
8-1/2PLR2BF4-K	1/2	1/2-19	1-1/16	.17	1.30	2.05	.99	.340



B

Male Branch Tee Swivel W172PL

PART NO.	TUBE SIZE	PIPE THREAD [NPTF]	C HEX	L	N	D
W172PL-2-2	1/8	1/8	7/16	.78	1.22	.078
W172PL-3-2	3/16	1/8	7/16	.78	1.17	.156
W172PL-5/32-2	5/32	1/8	7/16	.80	1.24	.109
W172PL-4-2	1/4	1/8	7/16	.96	1.26	.188
W172PL-4-4	1/4	1/4	9/16	.96	1.44	.188
W172PL-4-6	1/4	3/8	11/16	.96	1.51	.170
W172PL-5-2	5/16	1/8	1/2	.99	1.42	.234
W172PL-5-4	5/16	1/4	9/16	.99	1.60	.234
W172PL-6-4	3/8	1/4	9/16	1.04	1.66	.297
W172PL-6-6	3/8	3/8	11/16	1.04	1.70	.297
W172PL-8-4	1/2	1/4	11/16	1.17	1.74	.375
W172PL-8-6	1/2	3/8	3/4	1.19	1.79	.375
W172PL-8-8	1/2	1/2	7/8	1.19	1.98	.375



Male Branch Tee Swivel W372PL

Composite Body

PART NO.	TUBE SIZE	PIPE THREAD [NPTF]	C HEX	MOUNTING HOLE DIA.	L	N	G	D
W372PL-2-1	1/8	1/16	3/8	.13	.71	1.08	.52	.078
W372PL-2-2	1/8	1/8	7/16	.13	.71	1.14	.52	.078
W372PL-2-4	1/8	1/4	9/16	.13	.70	1.32	.52	.080
372PL-2-10X32	1/8	10-32	3/8	.13	.70	.94	.52	.080
W372PL-3-2	3/16	1/8	7/16	.17	.76	1.20	.64	.147
W372PL-3-4	3/16	1/4	9/16	.17	.76	1.40	.64	.147
W372PL-5/32-2	5/32	1/8	7/16	.13	.71	1.14	.52	.094
W372PL-5/32-4	5/32	1/4	9/16	.13	.68	1.32	.52	.090
372PL5/32-10x32	5/32	10-32	3/8	.13	.70	.94	.52	.090
W372PL-4-1	1/4	1/16	7/16	.17	.76	1.20	.64	.094
W372PL-4-2	1/4	1/8	7/16	.17	.76	1.20	.64	.170
W372PL-4-4	1/4	1/4	9/16	.17	.76	1.38	.64	.170
372PL-4-10x32	1/4	10-32	7/16	.17	.76	1.05	.64	.090
W372PL-4-6	1/4	3/8	11/16	.17	.76	1.42	.64	.170
W372PL-5-2	5/16	1/8	9/16	.17	.84	1.28	.71	.234
W372PL-5-4	5/16	1/4	9/16	.17	.84	1.23	.71	.234
W372PL-6-2	3/8	1/8	9/16	.17	1.03	1.48	.83	.230
W372PL-6-4	3/8	1/4	5/8	.17	1.04	1.66	.83	.297
W372PL-6-6	3/8	3/8	11/16	.17	1.04	1.66	.83	.297
W372PL-6-8	3/8	1/2	7/8	.17	1.03	1.85	.83	.300
W372PL-8-4	1/2	1/4	3/4	.17	1.30	2.07	.99	.310
W372PL-8-6	1/2	3/8	3/4	.17	1.30	2.07	.99	.344
W372PL-8-8	1/2	1/2	7/8	.17	1.30	2.26	.99	.344

