

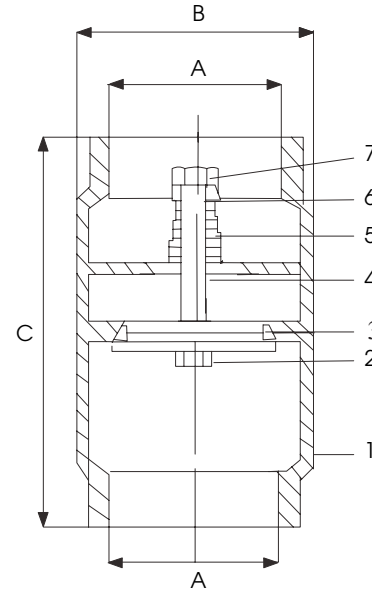
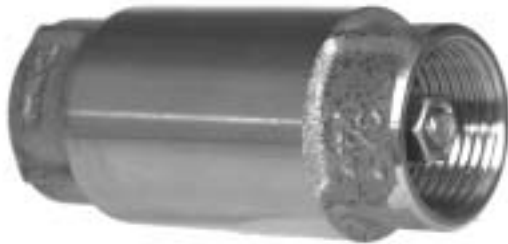
**BRASS CHECK VALVES**

S.S. SPRING LOADED BRONZE POPPET

For positive sealing & self-cleaning.

Insures against leakage.

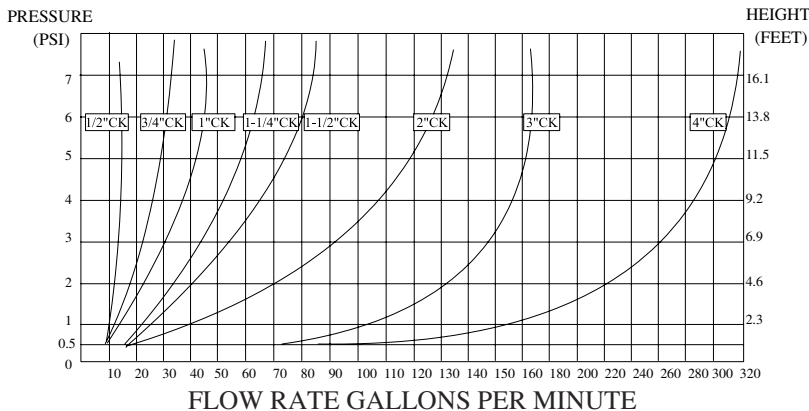
- 200 WOG
- Corrosion resistant material
- Cast Red Brass body
- S.S. Spring
- Neoprene O-Ring Seal
- Can be used vertically or horizontally
- Individually boxed
- Hydraulic Burst test result: 232 Kg/cm<sup>2</sup>



**VALVES**

**Brass Check Valve (Inches)**

Part#	Size	Enters Pipe Size	A NPT	B	C	Box	Case	List
944-428	1/4"	-	1/4"	1.26	2.28	24	192	11.45
944-429	3/8"	-	3/8"	1.50	2.28	21	168	15.53
944-430	1/2"	1-1/4"	1/2"	1.77	2.43	10	100	20.73
944-431	3/4"	1-1/4"	3/4"	2.13	2.72	10	80	25.26
944-432	1"	2"	1"	2.36	3.23	10	60	33.21
944-433	1-1/4"	2-1/2"	1-1/4"	3.03	3.62	5	40	54.82
944-434	1-1/2"	3"	1-1/2"	4.21	4.04	5	30	57.96
944-435	2"	3-1/2"	2"	5.51	5.04	5	20	96.60



NO	Part	Material
1	Body	Brass
2	Stopper	Brass
3	O-Ring	NBR
4	Washer	PE
5	Spring	S.S.
6	Cap	S.S.
7	Nut	S.S.

See more Check Valves on page 194

