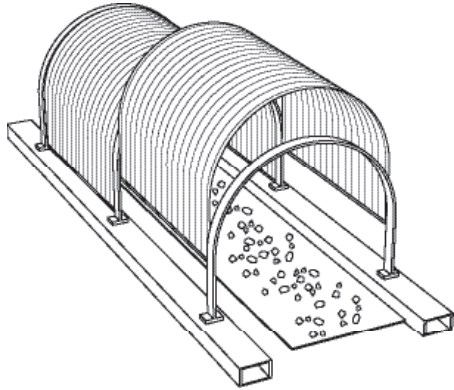


## CONVEYOR COVERS

### SMOOTH OR CORRUGATED FULL COVERS

Available in galvanized, steel, aluminum, stainless, and fiberglass 3 1/2', 4', 4 1/2', and 5' centers.



## ELEVATOR BOLTS

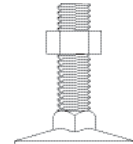
### STEEL, ZINC-PLATED, AND STAINLESS STEEL AVAILABLE

#### Steel Flat Head Bolts

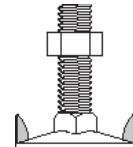
Size	Qty./Box	Lbs./Box
1/4" x 3/4"	100	3.1
1/4" x 1"	100	3.2
1/4" x 1 1/4"	100	3.6
1/4" x 1 1/2"	100	3.9
5/16" x 1"	100	5.3
5/16" x 1 1/4"	100	5.8
5/16" x 1 1/2"	100	6.1
5/16" x 2"	100	7.3
3/8" x 1"	50	3.8
3/8" x 1 1/4"	50	4.0
3/8" x 1 1/2"	50	4.4
3/8" x 2"	50	5.0

Bolts include nuts without washers.

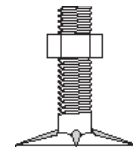
Also available are fanged and norway bolts styles, nylon inserted lock-nuts, and locking or flat washers.



FLAT HEAD



FANGED

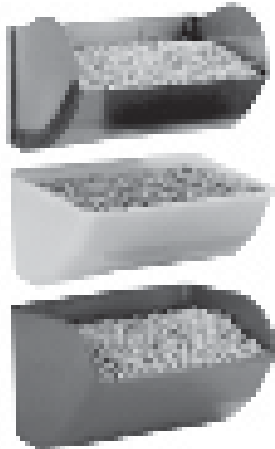


NORWAY

## ELEVATOR BUCKETS

### BUCKETS STYLES...

are available in metal, nylon, urethane, and polyethylene to handle a variety of materials. Elevator bolts are used to attach the buckets to the belt, the bolt holes can be punched in any required pattern.



### ELEVATOR BUCKET PROJECTIONS

#### PVC Elevator Belt

Spec#	Part#	Belt Description	Max. Bucket Projection	Belt Color
66A	20038199	PVC 150 Black ORSC CBS	4"	black
69A	20038206	PVC 200 Black ORSC CBS	6"	black
69B	20038500	PVC 250 Black ORSC CBS	6"	black
70A	20038208	PVC 200 White ORSC CBS	6"	white
72	20039000	PVC 350 Black ORSC CBS	7"	black
73	20040009	PVC 450 Black ORSC CBS	8"	black
259	20040015	PVC 600 Black ORSC CBS	9"	black

#### Rubber Elevator Belt

Spec#	Part#	Belt Description	Max. Bucket Projection	Belt Color
23A	20021628	2 Ply 220 1/16 x 1/16 SCORFR Grain	6"	black
25A	20021630	3 Ply 330 1/16 x 1/16 SCORFR Grain	8"	black
27A	20021635	3 Ply 600 1/16 x 1/16 SCORFR Grain	10"	black
27B	20021640	4 Ply 440 1/16 x 1/16 SCORFR Grain	9"	black