

Product Guide

HOSETRACT

HOSE REELS

Your Reel Convenience Store®



GOODYEAR
RUBBER PRODUCTS INC.

Call Toll Free: **1-866-711-4673**
WebSales@GoodyearRubberProducts.com

**We Ship
World Wide**

HOSETRACT

HOSE REELS

HOSETRACT REELS should be employed when and where air, water, oil or grease hose has to be stored, whether it be inside, outside or on mobile units. Hose left unstored is vulnerable to many abuses which can greatly reduce hose life, resulting in unnecessary costs in hose and man hours.

USER SERVICEABLE

HOSETRACT REELS have over two decades of hose reel design time integrated into them. Simplistic design reduces field service time, if necessary. Of course, the factory or our representatives are always available for assistance.

HEAVY DUTY LONG LIFE CONSTRUCTION

ALL HOSETRACT REELS are assembled with self locking fasteners to avoid loosening in those applications where vibration is present. Each unit is manufactured from heavy gauge cold rolled metals, and permanently lubricated to assure many years of dependable service.

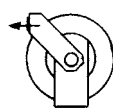
SAFEGUARD SPRING

The drive spring is safety banded to facilitate changing in the field, if it becomes necessary, or the complete canister can be removed and replaced with another unit from the factory or distributor. Always include the model number of the reel to assure shipment of the correct replacement spring.

UNIVERSAL INSTALLATION

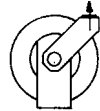
The narrow size and the fact that the guide arm can be easily rotated to any of the positions shown, virtually solves all installation problems. Reels are shipped in the SF position unless other is requested.

Standard Front



SF

Standard Ceiling



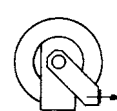
SC

Standard Mezzanine



SM

Rear Floor



RF

Other Features

Fully closed bead on spool to prevent hose cutting
Hidden latch mechanism to prevent grime buildup
Narrow size – only 6 1/2" wide (C Series) • 304 Stainless Available

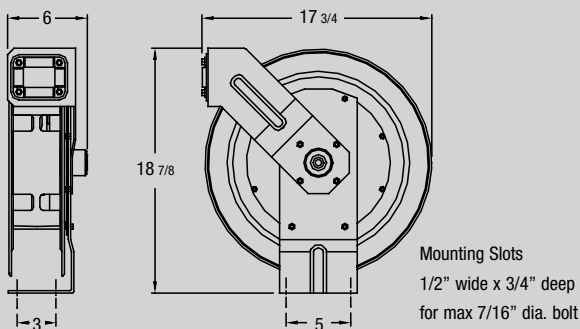


Hosetract has introduced the new expedited reel shipping program, which when order qualified, prompts our order department to process and pull stock to ship in 3 working days or less. In most cases this applies to orders of 6 reels or less.

HOSETRACT

HOSE REELS

Inlet — 1/2" FPT Max. Temp. — 200°F



Reels shipped standard of hose payout position. For ceiling mount add suffix sc.

US Patent Number
6,978,960



For 3/8" Hose I.D.

Unitract™ Nitrogen Delivery Hose Reel

With all the features of the compact, low cost user friendly Unitract Series

- Parker high performance push loc hose
- Hose ends can be easily changed in field with no crimping
- Green for easy identification
- Standard flexible 3/8" ID with flame resistant neoprene cover and nitrogen impervious blended nitrile tube

FEATURES

- Weighs 10 lbs. less than our standard reels
- Simple design incorporates fewer parts
- Unitized multi-functional hub arbor
- Single set screw to access latch area and spring case
- 8 Position guide arm
- Heavy guage base with no welds
- Minimal size envelope permits installation where space is a factor

Model Number	Operating Pressure	Hose I.D.	Hose Length	Shipping Weight
UTL-350NG	300 PSI	3/8 IN.	50 FT.	41#

HOSETRACT 

HOSETRACT

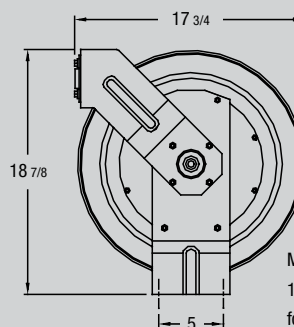
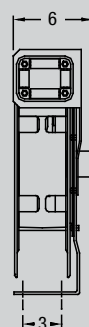
HOSE REELS



Reels shipped standard of hose payout position. For ceiling mount add suffix sc.

US Patent Number
6,978,960

Inlet — 1/2" FPT Max. Temp. — 200°F



Mounting Slots
1/2" wide x 3/4" deep
for max 7/16" dia. bolt



For 3/8" and 1/2" Hose I.D.

Unitract™ Series

LOW PRESSURE reels are ideally suited for plant maintenance or many other industrial functions where hose storage is a problem. Standard hose for air, water and oxygen/acetylene applications. Hose can be dispensed and retracted with greater ease and expedience than coiling by hand. The Unitract™ series fits easily into height restricted areas, and is a lighter duty reel. Not designed for truck mount applications.

FEATURES

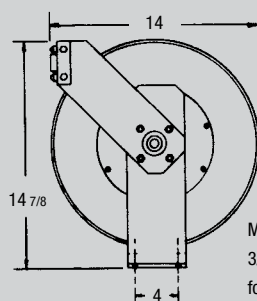
- Weighs 10 lbs. less than our standard reels
- Unitized multi-functional hub arbor
- 8 Position guide arm
- Minimal size envelope permits installation where space is a factor
- Simple design incorporates fewer parts
- Single set screw to access latch area and spring case
- Heavy guage base with no welds

Model Number	Operating Pressure	Hose I.D.	Hose Length	Shipping Weight
UTL-300*	1000 PSI	3/8 IN.	—	36#
UTL-325	300 PSI	3/8 IN.	25 FT.	38#
UTL-330	300 PSI	3/8 IN.	30 FT.	38#
UTL-335	300 PSI	3/8 IN.	35 FT.	40#
UTL-340	300 PSI	3/8 IN.	40 FT.	41#
 UTL-350	300 PSI	3/8 IN.	50 FT.	41#
UTL-500*	1000 PSI	1/2 IN.	—	36#
UTL-540	300 PSI	1/2 IN.	40 FT.	43#
 UTL-550	300 PSI	1/2 IN.	50 FT.	47#

HOSETRACT

HOSE REELS

Inlet — 3/8" FPT Max. Temp. — 200°F



Mounting Slots
3/8" wide x 3/4" deep
for max 5/16" dia. bolt

Reels shipped standard of hose payout position. For ceiling mount add suffix sc.






For 1/4" and 3/8" Hose I.D.

B Series

The **B Series Reels** are applied well where shorter, low volume hoses are used, such as auto-truck service garages for all air applications as well as anti-freeze, motor oil, ATF and grease. The all brass main shaft and swivel assure less corrosion for extended seal life in the low pressure rating (up to 1000 PSI).

LOW PRESSURE Air, water, anti-freeze.

Model Number	Operating Pressure	Hose I.D.	Hose Length	Shipping Weight
LB-200*	1000 PSI	1/4 IN.	—	25#
LB-225	300 PSI	1/4 IN.	25 FT.	26#
LB-230	300 PSI	1/4 IN.	30 FT.	27#
LB-235	300 PSI	1/4 IN.	35 FT.	28#
LB-240	300 PSI	1/4 IN.	40 FT.	29#
LB-250	300 PSI	1/4 IN.	50 FT.	30#
 LB-300*	1000 PSI	3/8 IN.	—	23#
LB-320	300 PSI	3/8 IN.	20 FT.	26#
 LB-325	300 PSI	3/8 IN.	25 FT.	27#
LB-330	300 PSI	3/8 IN.	30 FT.	27#
 LB-335	300 PSI	3/8 IN.	35 FT.	28#
LB-500*	1000 PSI	1/2 IN.	—	25#

MEDIUM PRESSURE Motor oil, ATF. Standard 1-wire braid hose furnished.

MB-300*	2500 PSI	3/8 IN.	—	22#
MB-320	2500 PSI	3/8 IN.	20 FT.	29#
MB-325	2500 PSI	3/8 IN.	25 FT.	30#
MB-330	2500 PSI	3/8 IN.	30 FT.	31#
MB-335	2500 PSI	3/8 IN.	35 FT.	32#

HIGH PRESSURE Grease. Standard 2-wire braid hose furnished.

HB-200*	8000 PSI	1/4 IN.	—	23#
HB-220	5000 PSI	1/4 IN.	20 FT.	29#
HB-225	5000 PSI	1/4 IN.	25 FT.	30#
HB-230	5000 PSI	1/4 IN.	30 FT.	31#
HB-235	5000 PSI	1/4 IN.	35 FT.	32#

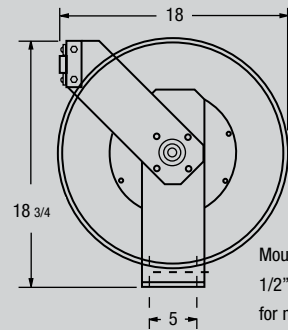
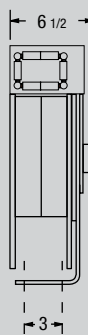
HOSETRACT 

HOSETRACT

HOSE REELS



Reels shipped standard sf hose payout position. For ceiling mount add suffix sc.



Mounting Slots
1/2" wide x 3/4" deep
for max 7/16" dia. bolt

Oxy Inlet — 1/4" FPT
Acet Inlet — 1/4" FPT

Max. Temp. — 200°F



For 1/4" Siamese Hose

Oxygen/Acetylene Hose Reel

Reel is ideally applied when space and safety is required in the welding & cutting area. The reel is capable of storing and dispensing 50' length of twin siamese welding hose.

FEATURES

- The exclusive dual hex was designed by the original designer of this dual body concept
- The major advantage of the swivel design is that in the event of an O-ring failure, the gases will go to atmosphere instead of mixing
- Safety banded drive spring
- The swivel is marked for the acetylene side with notches on the hex nuts for easy identification
- Beaded edges on spool prevents hose damage or injury to operator
- 8-position guide arm

	Model Number	Operating Pressure	Hose I.D.	Hose Length	Shipping Weight
	COA-200*	1000 PSI	1/4 IN.	—	43#
	COA-250	200 PSI	1/4 IN.	50 FT. (Twin)	54#
	UTL-200-OA*	1000 PSI	1/4 IN.	—	36#
	UTL-250-OA	200 PSI	1/4 IN.	50 FT. (Twin)	44#

COA models are the C series, heavy duty standard reels.

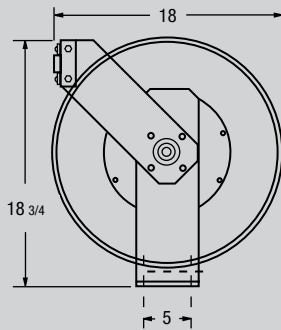
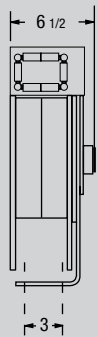
UTL models are the Unitract series, lighter duty reels not designed for truck mount applications.

HOSETRACT

HOSE REELS

Inlet - 1/2" FTP Max. Temp. - 200°F

Reels shipped standard sf hose payout position. For ceiling mount add suffix sc.



Mounting Slots
1/2" wide x 3/4" deep
for max 7/16" dia. bolt



Available in
Powder Coat or (304)
Stainless Steel



For 1/4", 3/8" and 1/2" Hose I.D.

C Series

LOW PRESSURE reels are ideally suited for plant maintaining, service trucks or many other industrial functions where hose storage is a problem. Standard hose for air, water, and water based solutions. Other hoses available upon request.

	Model Number	Operating Pressure	Hose I.D.	Hose Length	Shipping Weight
	LC-300*	1000 PSI	3/8 IN.	—	46#
	LC-340	300 PSI	3/8 IN.	40 FT.	49#
	LC-350	300 PSI	3/8 IN.	50 FT.	50#
	LC-370	300 PSI	3/8 IN.	70 FT.	54#
	LC-500*	1000 PSI	1/2 IN.	—	46#
	LC-540	300 PSI	1/2 IN.	40 FT.	53#
	LC-550	300 PSI	1/2 IN.	50 FT.	57#

MEDIUM PRESSURE reels are required when higher pressures are involved for air, water, or heavier oils. Standard 1-wire braid hose furnished.

	MC-300*	4000 PSI	3/8 IN.	—	47#
	MC-340	2500 PSI	3/8 IN.	40 FT.	56#
	MC-350	2500 PSI	3/8 IN.	50 FT.	58#
	MC-500*	4000 PSI	1/2 IN.	—	47#
	MC-530	2500 PSI	1/2 IN.	30 FT.	56#
	MC-540	2500 PSI	1/2 IN.	40 FT.	58#
	MC-550	2500 PSI	1/2 IN.	50 FT.	61#

HIGH PRESSURE reels are used exclusively where grease is being applied as in lube applications for off-road service or garage lube systems. Standard 2-wire braid hose furnished.

	HC-200*	8000 PSI	1/4 IN.	—	46#
	HC-240	5000 PSI	1/4 IN.	40 FT.	56#
	HC-250	5000 PSI	1/4 IN.	50 FT.	59#
	HC-300*	8000 PSI	3/8 IN.	—	46#
	HC-330	4000 PSI	3/8 IN.	30 FT.	56#
	HC-340	4000 PSI	3/8 IN.	40 FT.	58#
	HC-350	4000 PSI	3/8 IN.	50 FT.	62#

HOSETRACT 

HOSETRACT

HOSE REELS

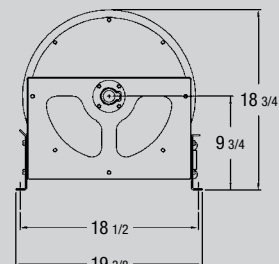
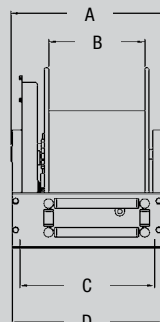


Reels available only in standard rf hose payout position.

Ceiling mount bracket available on page 18

Mounting holes 1/2" dia.

Inlet — 1" FPT Max. Temp. — 200°F



	3/8 & 1	1/2 Dual	3/4 & 1
A	12 1/2	16 1/2	16 1/2
B	6	10	10
C	10	14	14
D	11 5/8	15 5/8	*20

*with swivel installed

For 3/8", 1/2", 3/4", and 1" Hose I.D.

D Series

Meets requirements for higher volume 3/4 and 1 inch hose applications. Suitable for air, water, oil, diesel fuel and grease where longer lengths of hose are required.

FEATURES

- Safety banded spring in sealed springcase
- Full 1 inch flow path
- Compact design
- Guide rollers allow frictionless retrieval of hose
- Heavy duty spool and frame design

LOW PRESSURE Air, water, solvents

Model Number	Operating Pressure	Hose I.D.	Hose Length	Shipping Weight
LD-300*	1000 PSI	3/8 IN.	—	68#
LD-3100	300 PSI	3/8 IN.	100 FT.	99#
LD-500*	1000 PSI	1/2 IN.	—	68#
LD-575	300 PSI	1/2 IN.	75 FT.	90#
LD-590	300 PSI	1/2 IN.	90 FT.	95#
LD-5100	300 PSI	1/2 IN.	100 FT.	99#
LD-700*	300 PSI	3/4 IN.	—	81#
LD-750	300 PSI	3/4 IN.	50 FT.	95#
LD-770	300 PSI	3/4 IN.	70 FT.	99#
LD-1000*	300 PSI	1 IN.	—	81#
LD-1025	300 PSI	1 IN.	25 FT.	95#
LD-1045	300 PSI	1 IN.	45 FT.	99#

MEDIUM PRESSURE Oils, solvents

MD-500*	4000 PSI	1/2 IN.	—	75#
MD-500* dual	4000 PSI	1/2 IN.	— (50 E.A. Hose)FT.	75#
MD-575	2500 PSI	1/2 IN.	75 FT.	95#
MD-700*	2000 PSI	3/4 IN.	—	75#
MD-750	1500 PSI	3/4 IN.	50 FT.	100#

HIGH PRESSURE Grease, heavy oils

HD-300*	5000 PSI	3/8 IN.	—	70#
HD-375	4000 PSI	3/8 IN.	75 FT.	85#

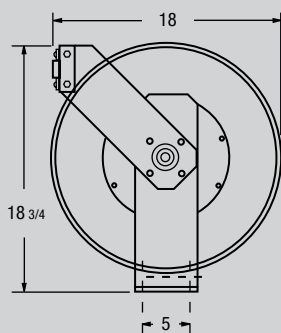
* D Series Reels must be shipped by truck only

HOSETRACT

HOSE REELS

Inlet — 1/2" FPT

Max. Temp. — 200°F



Mounting Slots

1/2" wide x 3/4" deep
for max 7/16" dia. bolt

Reels shipped standard
sf hose payout position.
For ceiling mount add
suffix sc.



For 3/8" and 1/2" Hose I.D.

CS Series

304 STAINLESS STEEL Reels should be utilized in harsh environments, such as chemical clean up or when an exceptionally clean area has to be maintained for food or beverage process. The latch mechanism is non-sparking in the event flammable gases or liquids are present. Only available in low pressure.

LOW PRESSURE ONLY

Model Number	Operating Pressure	Hose I.D.	Hose Length	Shipping Weight
LCS-300*	1000 PSI	3/8 IN.	—	40#
LCS-340	300 PSI	3/8 IN.	40 Ft.	44#
LCS-350	300 PSI	3/8 IN.	50 Ft.	45#
LCS-370	300 PSI	3/8 IN.	70 Ft.	51#
LCS-500*	1000 PSI	1/2 IN.	—	41#
LCS-540	300 PSI	1/2 IN.	40 Ft.	50#
LCS-550	300 PSI	1/2 IN.	50 Ft.	56#

OPTIONS AVAILABLE

Air / Water application hose

White washdown hose

Chemical application hose

HOSETRACT 

HOSETRACT

HOSE REELS



Reels available only in standard rf hose payout position.

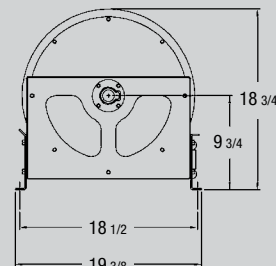
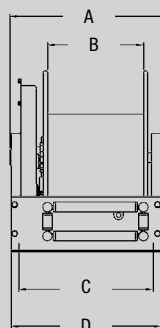
Ceiling mount bracket available on page 18

Mounting holes 1/2" dia.

	3/4 & 1
A	16 1/2
B	10
C	14
D	*20

*with swivel installed

Inlet — 1" FPT Max. Temp. — 200°F



For 3/4" and 1" Hose I.D.

DS Series

304 STAINLESS STEEL Reels should be utilized in harsh environments, such as chemical clean up or when an exceptionally clean area has to be maintained for food or beverage process. The latch mechanism is non-sparking in the event flammable gases or liquids are present. Only available in low pressure.

LOW PRESSURE ONLY

Model Number	Operating Pressure	Hose I.D.	Hose Length	Shipping Weight
LDS-700*	300 PSI	3/4 IN.	—	73#
LDS-740	300 PSI	3/4 IN.	40 Ft.	75#
LDS-750	300 PSI	3/4 IN.	50 Ft.	80#
LDS-770	300 PSI	3/4 IN.	70 Ft.	86#
LDS-1000*	300 PSI	1 IN.	—	73#
LDS-1025	300 PSI	1 IN.	25 Ft.	80#
LDS-1045	300 PSI	1 IN.	45 Ft.	90#

ALL STAINLESS DS SERIES ARE SHIPPED WITH A NICKEL PLATED SWIVEL

OPTIONS AVAILABLE

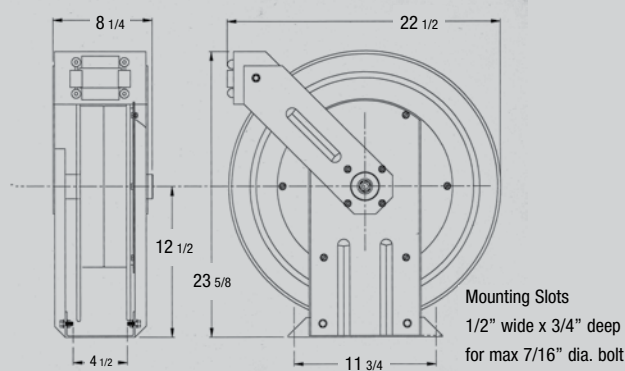
Air / Water application hose

White washdown hose

Chemical application hose

HOSETRACT

HOSE REELS



Reels shipped standard of hose payout position. for ceiling mount add suffix sc.

Standard Black Powder Coat



For 3/8" and 1/2" Hose I.D. - Heavy Duty • Dual Base • Dual Guide Arm

G Series

LOW PRESSURE reels are ideally suited for plant maintaining, service trucks or many other industrial functions where hose storage is a problem. Standard hose for air, water, and antifreeze solutions. Other hoses available upon request.

Model Number	Operating Pressure	Hose I.D.	Hose Length	Shipping Weight
LG-300*	1000 PSI	3/8 IN.	—	75#
LG-375	300 PSI	3/8 IN.	75 FT.	90#
LG-3100	300 PSI	3/8 IN.	100 FT.	95#
LG-500*	1000 PSI	1/2 IN.	—	75#
LG-550	300 PSI	1/2 IN.	50 FT.	85#
LG-575	300 PSI	1/2 IN.	75 FT.	95#

MEDIUM PRESSURE reels are required when higher pressures are involved for air, water, or heavier oils. Standard 1-wire braid hose furnished.

MG-300*	4000 PSI	3/8 IN.	—	75#
MG-375	2500 PSI	3/8 IN.	75 FT.	90#
MG-500*	4000 PSI	1/2 IN.	—	75#
MG-550	2500 PSI	1/2 IN.	50 FT.	85#
MG-575	2500 PSI	1/2 IN.	75 FT.	95#

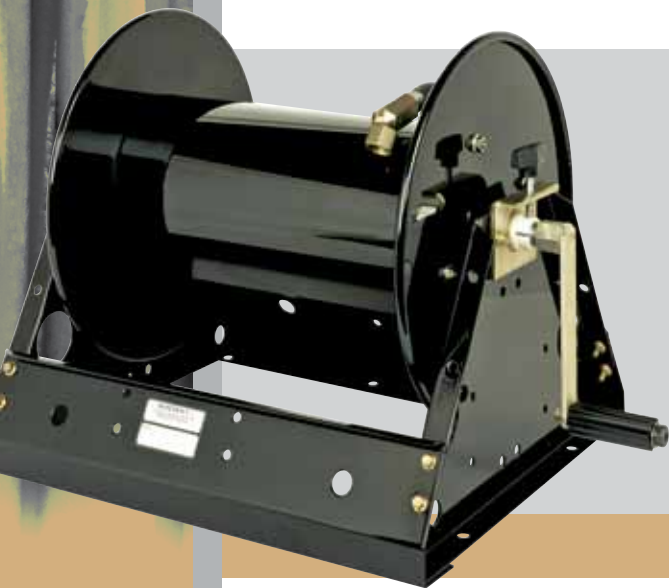
HIGH PRESSURE reels are used exclusively where grease is being applied as in lube applications for off-road service or garage lube systems. Standard 2-wire braid hose furnished.

HG-2100	5000 PSI	1/4 IN.	100 FT.	90#
HG-300*	8000 PSI	3/8 IN.	—	75#
HG-350	5000 PSI	3/8 IN.	50 FT.	85#
HG-375	5000 PSI	3/8 IN.	75 FT.	90#

HOSETRACT 

HOSETRACT

HOSE REELS

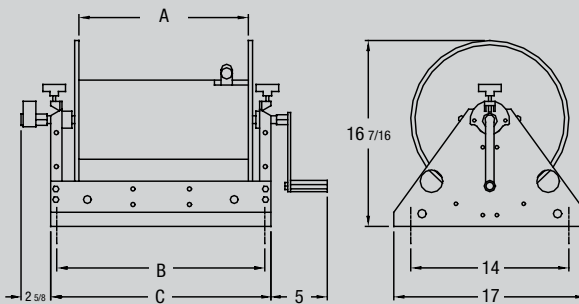


All reels shipped less hose unless requested on quote basis.

Inlet — 1/2" FPT Max. Temp. — 200°F

Mounting holes 1/2" dia.

SERIES LOW PRO	DIMENSIONS		
	A	B	C
M 5-5	5	7 3/4	8 3/4
M 10-5	10	12 3/4	13 3/4
M 15-5	15	18 1/2	19 1/2
M 20-5	20	23 1/2	24 1/2
M 25-5	25	28 1/2	29 1/2



For 3/8" and 1/2" Hose I.D.

Low-Pro Series

MANUAL DRIVEN HOSE REELS. REEL is ideally applied where long lengths of hose are required, as in Agriculture, Power Wash, Pest Maintenance, and Construction trades. Hose can be dispensed and retracted with greater ease and expedience than coiling by hand. The Low-Pro series fits easily into height restricted areas.

FEATURES

- Fits into areas where less head room is available
- Flow through shaft for left or right hand installation
- Self lubricating ABS bearings
- Mounting base is light and strong
- External swivel-standardized O-rings can be changed by simply removing one retaining ring
- Fully adjustable brake - adjust tension with hand knob

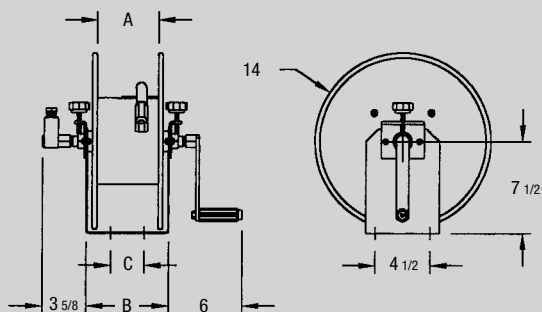
Model Number	Operating Pressure	Capacity Hose I.D.		Shipping Weight
		3/8"	1/2"	
M 5-5 Low-Pro	4000 PSI	75 FT.	50 FT.	30#
M 10-5 Low-Pro	4000 PSI	150 FT.	100 FT.	37#
M 15-5 Low-Pro	4000 PSI	225 FT.	150 FT.	49#
M 20-5 Low-Pro	4000 PSI	300 FT.	200 FT.	59#
M 25-5 Low-Pro	4000 PSI	375 FT.	250 FT.	72#

Guide system available for 10", 15", 20", 25" wide reels. Sold seperately (page 20).

HOSETRACT

HOSE REELS

Inlet — 1/2" FPT Max. Temp. — 200°F



All reels shipped less hose unless requested on quote basis.

Mounting holes 1/2" dia.

SERIES	DIMENSIONS		
	A	B	C
M 5-5-14	5	7	2 3/4
M 10-5-14	10	12	7 3/4



For 3/8" and 1/2" Hose I.D.

M Series Mini

COMPACT MANUAL DRIVEN MINI-REEL. REEL is best applied where a maximum of 150 ft. of 3/8" I.D. hose is required, and where space or weight is a critical factor. This products is ideally fitted into tight space applications such as small truck skid units for pesticides, pressure wash or deployment of air tools in the construction trades.

FEATURES

- Beaded edges on spool prevents hose damage or injury to operator
- Heavy 12 GA. base
- Heavy duty ABS bearings require no lubrication for years of dependable service
- Fully adjustable brake - adjust with hand knob
- Only 14 1/2" tall
- External swivel-O-rings can be changed by simply removing one retaining ring

Model Number	Operating Pressure	Capacity Hose I.D.		Shipping Weight
		3/8"	1/2"	
M 5-5-14	4000 PSI	75 FT.	50 FT.	20#
M 10-5-14	4000 PSI	150 FT.	100 FT.	23#

M Series Mini Hose Reels also available in stainless steel. Call factory for more details.

HOSETRACT 

HOSETRACT

HOSE REELS

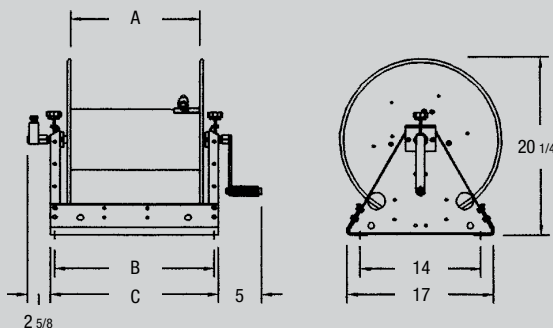


All reels shipped less hose unless requested on quote basis.

Inlet — 1/2" FPT Max. Temp. — 200°F

Mounting holes 1/2" dia.

SERIES	DIMENSIONS		
	A	B	C
M 5	5	7 $\frac{1}{4}$	8 $\frac{3}{4}$
M 10	10	12 $\frac{1}{2}$	13 $\frac{3}{4}$
M 15	15	18 $\frac{1}{2}$	19 $\frac{1}{2}$
M 20	20	23 $\frac{1}{2}$	24 $\frac{1}{2}$
M 25	25	28 $\frac{1}{2}$	29 $\frac{1}{2}$



For 3/8" and 1/2" Hose I.D.

M Series

MANUAL DRIVEN HOSE REELS. REEL is ideally applied where long lengths of hose are required, as in Agriculture, Power Wash, Pest Control and Construction trades. Hose can be dispensed and retracted with greater ease and expedience than coiling by hand.

FEATURES

- Flow through shaft for universal installation
- Self lubricating ABS bearings
- External swivel - standardized O-rings can be changed by simply removing one retaining ring
- Fully adjustable nylon brake - adjust tension with hand knob
- Mounting base is light and strong

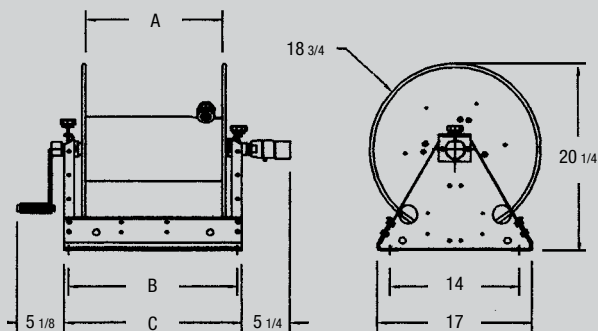
Model Number	Operating Pressure	Capacity Hose I.D.		Shipping Weight
		3/8"	1/2"	
M 5-5	4000 PSI	100 FT.	75 FT.	30#
M 10-5	4000 PSI	250 FT.	175 FT.	37#
M 15-5	4000 PSI	350 FT.	275 FT.	49#
M 20-5	4000 PSI	450 FT.	375 FT.	59#
M 25-5	4000 PSI	550 FT.	475 FT.	72#

Guide system available for 10", 15", 20", 25" wide reels. Sold seperately (page 20).
M Series Hose Reels also available in stainless steel. Call factory for more details.

HOSETRACT

HOSE REELS

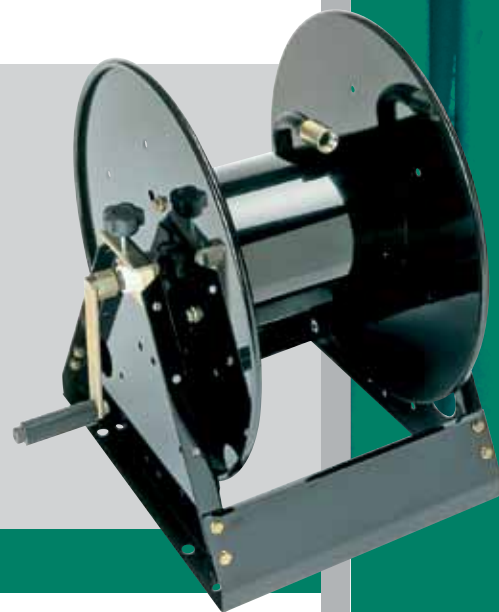
Inlet — 1" FPT Max. Temp. — 200°F



All reels shipped less hose unless requested on quote basis.

Mounting holes 1/2" dia.

SERIES	DIMENSIONS		
	A	B	C
M 10	10	12 3/4	13 3/4
M 15	15	18 1/2	19 1/2
M 20	20	23 1/2	24 1/2
M 25	25	28 1/2	29 1/2



For 3/4" and 1" Hose I.D.

M Series

MANUAL DRIVEN HOSE REELS. REEL is ideally applied where long lengths of hose are required, as in Agriculture, Power Wash, Pest Control and Construction trades. Hose can be dispensed and retracted with greater ease and expedience than coiling by hand.

FEATURES

- Flow through shaft for left or right hand installation
- Self lubricating ABS bearings
- External swivel - standardized O-rings can be changed by simply removing one retaining ring
- Fully adjustable nylon brake - adjust tension with hand knob
- Mounting base is light and strong

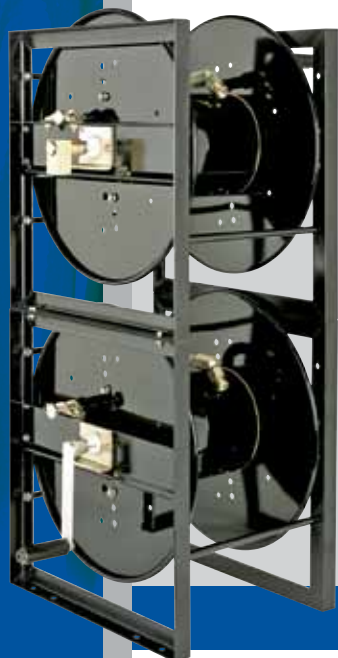
Model Number	Operating Pressure	Capacity Hose I.D.		Shipping Weight
		3/4"	1"	
M 10-10	300 PSI	75 FT.	50 FT.	40#
M 15-10	300 PSI	100 FT.	75 FT.	49#
M 20-10	300 PSI	125 FT.	100 FT.	59#
M 25-10	300 PSI	150 FT.	125 FT.	72#

Guide system available for 10", 15", 20", 25" wide reels. Sold separately (page 20).

HOSETRACT 

HOSETRACT

HOSE REELS



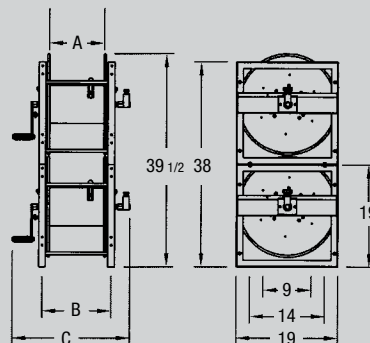
Pictured as two units.
Each sold separately.

All reels shipped less
hose unless requested
on quote basis.

Mounting holes 1/2" dia.

SERIES	DIMENSIONS		
	A	B	C
SFM 10	10	12 $\frac{3}{4}$	21 $\frac{1}{2}$
SFM 15	15	18 $\frac{1}{2}$	27 $\frac{1}{2}$
SFM 20	20	23 $\frac{1}{2}$	32 $\frac{1}{2}$
SFM 25	25	28 $\frac{1}{2}$	37 $\frac{1}{2}$

Inlet — 1/2" Female Through Swivel Max. Temp. — 200°F



For 3/8" and 1/2" Hose I.D.

Stack Frame

MANUAL DRIVEN HOSE REELS. REEL is ideally applied where long lengths of hose are required, as in Agriculture, Power Wash, Pest Control and Construction trades. Hose can be dispensed and retracted with greater ease and expedience than coiling by hand.

FEATURES

- Flow through shaft for universal installation
- Stack capability with no added parts
- Self lubricating ABS bearings
- External swivel - heavy duty 4000 PSI for longer service
- Fully adjustable brake - adjust tension with hand knob
- Positive lock pin
- Mounting base is light and strong
- 3 or 4 roller kits can be mounted top or bottom position (sold separately)

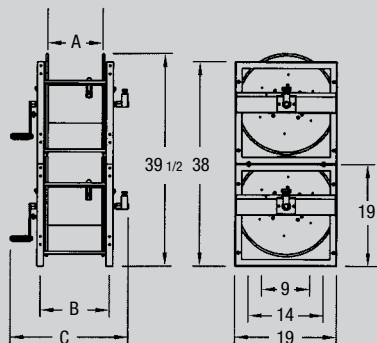
Model Number	Operating Pressure	Capacity Hose I.D.		Shipping Weight
		3/8"	1/2"	
SFM 10-5	4000 PSI	250 FT.	175 FT.	40#
SFM 15-5	4000 PSI	350 FT.	275 FT.	49#
SFM 20-5	4000 PSI	450 FT.	375 FT.	59#
SFM 25-5	4000 PSI	550 FT.	475 FT.	72#

Roller kits available in 3 or 4 roller configurations. Sold separately.
Recommended stacking limit at two units high.

HOSETRACT

HOSE REELS

Inlet — 1" Female Through Swivel Max. Temp. — 200°F



Pictured as two units.
Each sold separately.

All reels shipped less
hose unless requested
on quote basis.

Mounting holes 1/2" dia.

SERIES	DIMENSIONS		
	A	B	C
SFM 10	10	12 $\frac{3}{4}$	24 $\frac{1}{4}$
SFM 15	15	18 $\frac{1}{2}$	29 $\frac{1}{4}$
SFM 20	20	23 $\frac{1}{2}$	34 $\frac{1}{4}$
SFM 25	25	28 $\frac{1}{2}$	39 $\frac{1}{4}$



For 3/4" and 1" Hose I.D.

Stack Frame

MANUAL DRIVEN HOSE REELS. REEL is ideally applied where long lengths of hose are required, as in Agriculture, Power Wash, Pest Control and Construction trades. Hose can be dispensed and retracted with greater ease and expedience than coiling by hand.

FEATURES

- Flow through shaft for left or right hand installation
- Stack capability with no added parts
- Self lubricating ABS bearings
- External swivel - heavy duty and greasable for longer service
- Fully adjustable brake - adjust tension with hand knob
- Positive lock pin
- Mounting base is light and strong
- 3 or 4 roller kits can be mounted top or bottom position (sold separately)

Model Number	Operating Pressure	Capacity Hose I.D.		Shipping Weight
		3/4"	1"	
SFM 10-10	300 PSI	75 FT.	50 FT.	37#
SFM 15-10	300 PSI	100 FT.	75 FT.	50#
SFM 20-10	300 PSI	125 FT.	100 FT.	59#
SFM 25-10	300 PSI	150 FT.	125 FT.	72#

Roller kits available in 3 or 4 roller configurations. Sold separately.
Recommended stacking limit at two units high.

HOSETRACT 

HOSETRACT

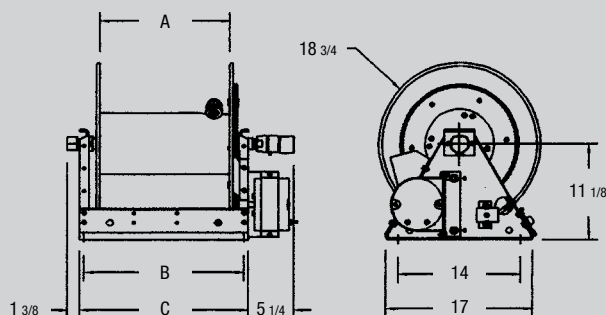
HOSE REELS

All reels shipped less hose unless requested on quote basis.

Inlet — 5 - 1/2" FPT Max. Temp. — 200°F
10 - 1" FPT

Mounting holes 1/2" dia.

SERIES	DIMENSIONS		
	A	B	C
E15	15	18½	19½
E20	20	23½	24½
E25	25	28½	29½



For 3/8", 1/2", 3/4", and 1" Hose I.D.

E Series

12V DC MOTOR DRIVEN HOSE REELS

For applications in the Lawn Care, Agricultural, Service Truck and many Industrial applications.

FEATURES

- Motor sprocket and chain pinch points are safe guarded
- Flow through shaft for universal installation
- Self lubricating ABS bearings
- External swivel - standardized O-rings can be changed by simply removing one retaining ring
- Motor bracket assembly allows ease of chain tightening
- Prewire option available
- Mounting base is light and strong

12V DC Motor Driven for 3/8" & 1/2" Hose

Model Number	Operating Pressure	Capacity Hose I.D.		Shipping Weight
		3/8"	1/2"	
E 15-5	4000 PSI	350 FT.	275 FT.	64#
E 20-5	4000 PSI	450 FT.	375 FT.	68#
E 25-5	4000 PSI	550 FT.	475 FT.	72#

12V DC Motor Driven for 3/4" and 1" Hose

Model Number	Operating Pressure	Capacity Hose I.D.		Shipping Weight
		3/4"	1"	
E 15-10	300 PSI	100 FT.	75 FT.	66#
E 20-10	300 PSI	125 FT.	100 FT.	70#
E 25-10	300 PSI	150 FT.	125 FT.	74#

Guide system available for 10", 15", 20", 25" wide reels. sold separately (page 20).
Reel can be factory prewired at additional cost. E Series Reel must be shipped by truck only.

HOSETRACT

HOSE REELS



BRIGHT SIDE LIGHT AND MAGNIFIED END LIGHT

Stubby II Light Cord Reels

FEATURES

- Clear lamp cushion and bumper at end of light allow maximum light out at the end, yet protect the lamp from impact
- On-off switch in handle is protected from dirt and moisture
- Outer tube and magnifying lense are tough polycarbonate material
- Patented Rough Service PLS-13 lamp is rated at 10,000 hrs. and produces 900 lumens

Model Number	Description	With Switch in Lighthead	With Tool Tap	Cord Specs Length	Cord Specs Type	Lamp Specs Type	Lamp Specs Size	WT.
ECL40	Stubby II, 40' Reel	Yes	No	40'	18/2 SJTOW	PLS-13	13 Watt	11#
ECLT40*	Stubby II, 40' Reel	Yes	Yes	40'	18/3 SJTOW	PLS-13	13 Watt	11#

* Tool Tap 10 Amps Max.

HOSETRACT 

ACCESSORIES

HOSE REELS

HOSE STOPS FOR SPRING RETRACTABLE REELS



1232A
Hose Stop
Assembly 1/4"



1233A
Hose Stop
Assembly 3/8"



1234A
Hose Stop
Assembly 1/2"



1235A
Hose Stop
Assembly 3/4"



1236A
Hose Stop
Assembly 1"

MOUNTING ACCESSORIES

D, DS Series



1839A
Ceiling Mount
Bracket Version II D

Unitract™, B, C, CS Series



1279A
I-Beam Bracket
Assembly



1282A
Swivel Bracket
Wall Assembly

SWIVELS



1498A



1245A



1238A



1165A



1413A



1834

Model Number	Description	Series	Use
1498A	Swivel Assembly 1/4" HP	B	Grease
1245A	Swivel Assembly w/Elbow Steel Plated	Unitract, C, D, G	Air/Water
1238A	Medium Press Swivel w/Elbow - 1/2MXF	C,D,G	Hydraulic Oil/Pres. Wash
1165A	High Pressure Swivel Assembly	C,D,G	Grease
1413A	Swivel Assembly - Oxy/Act	Unitract, C	Oxy/Act
1834	Super Swivel 1/2M x 1/2F Steel/Zinc	C	Trim Unit



1730



1447



11872

Model Number	Description	Series	Use
1730	Swivel 1/2"F x 1/2"F Melonite 4000	M, E, SFM, SFE - 3/8" & 1/2"	—
1730-EP*	Swivel 1/2"F x 1/2"F Melonite 4000 EPDM	M, E, SFM, SFE - 3/8" & 1/2"	Hot Water, Max 200° F
1730-V*	Swivel 1/2"F x 1/2"F Melonite 4000 VITON	M, E, SFM, SFE - 3/8" & 1/2"	Chemical
1447	Super Swivel 1/2"F x 1/2"F Steel/Zinc	M, E, SFM, SFE - 3/8" & 1/2"	Standard
11872	Super Swivel 1" - Zinc	D, M, E, SFM, SFE - 3/4" & 1"	Standard
23871	Super Swivel 1" - Nickel	DS - 3/4" & 1"	Standard

GUIDE ROLLER SYSTEMS



5023A



1224A

Unitract™, C, CS Series

- 1224A Guide Roller Assembly Fluted Rollers
- 5023A Guide Roller Assembly Smooth Rollers

M, E Series

- 1347A Outrigger Guide System 10"
- 1344A Outrigger Guide System 15"
- 1345A Outrigger Guide System 20"
- 1346A Outrigger Guide System 25"



1347A

E SERIES REPLACEMENT PARTS



1264
12V DC Motor



1198 Solenoid



1197
Momentary Switch

HOSETRACT

HOSE REELS

WARRANTY AND PRODUCT RETURN POLICY

Hosetract hose reels, except hose, are warranted to the original user against defects in material and workmanship under normal use and with proper installation, for one year after date of purchase. Any part, except noted exclusions, shipped prepaid to the factory, which is determined to be defective in material or workmanship will be repaired or replaced. Components not manufactured by Hosetract such as hose and optional swivel choices are excluded from Hosetract's warranty. Hosetract strives to maintain high quality product and the simplistic design reduces field service time. If however, there is a need to return product, Hosetract's return policy is stated below:

- All returns & warranty repair issues must be accompanied with a RGA#. Call Hosetract at (260) 489-8828 to acquire this authorization number and have the model and serial number of the reel available.
- Hosetract will record your return and give shipping or repair instructions.
- Hosetract reserves the right to evaluate the returned product for warranty repair, replacement or credit.
- Shipping damage is considered non-warranty, since it is out of Hosetract's control, and must be signed for as damaged when received, so that a claim may be filed with the carrier. Replacement parts can be ordered as stock items.
- Non-warranty returns will be charged a 15% restocking fee, to be deducted from credit issued.
- Non-Hosetract products returned for warranty (other reel manufacturers) cannot be returned. Check model and serial numbers.

MAINTENANCE INSTRUCTIONS

- ALL HOSETRACT REELS ARE PERMANENTLY LUBRICATED AT THE FACTORY AND REQUIRE NO FURTHER LUBRICATION.
- REPLACEMENT HOSES AND HOSE STOPS ARE AVAILABLE FROM THE FACTORY.
- FOR REPAIRS OR REPLACEMENT PARTS CONTACT THE FACTORY OR YOUR REPRESENTATIVE

Hosetract Industries reserves the right to at any time make the necessary changes as is required to update their products.

No portion of this catalog content shall be reproduced without the express consent of Hosetract Industries.

HOSETRACT INDUSTRIES, LTD.

P.O. BOX 80008
FORT WAYNE, IN 46898
TELEPHONE (260) 489-8828
FAX (260) 489-6088

TERMS: U.S. Currency Net 30 Days F.O.B. Factory

WHEN PLACING YOUR NEXT ORDER,

USE OUR TOLL FREE NUMBER:

GOODYEAR
RUBBER PRODUCTS INC.

Call Toll Free: 1-866-711-4673
WebSales@GoodyearRubberProducts.com

**We Ship
World Wide**

HOSETRACT 



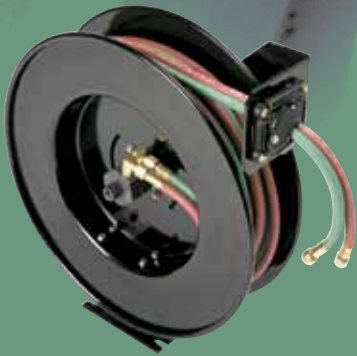
Unitract Series



B Series



C Series



Oxygen/Acetylene Series



Unitract Nitrogen Delivery



D Series



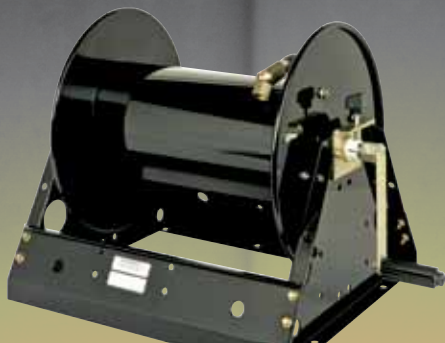
Stubby 2 Series



E Series



M Series



HOSETRACT

HOSE REELS
Your *REEL* CONVENIENCE STORE®

P.O. Box 80008 (46898)
6433 Discount Drive
Fort Wayne, IN 46818
Phone: 260-489-8828
Fax: 260-489-6088

888-489-8828



GOODYEAR
RUBBER PRODUCTS INC.

Call Toll Free: **1-866-711-4673**
WebSales@GoodyearRubberProducts.com

**We Ship
World Wide**