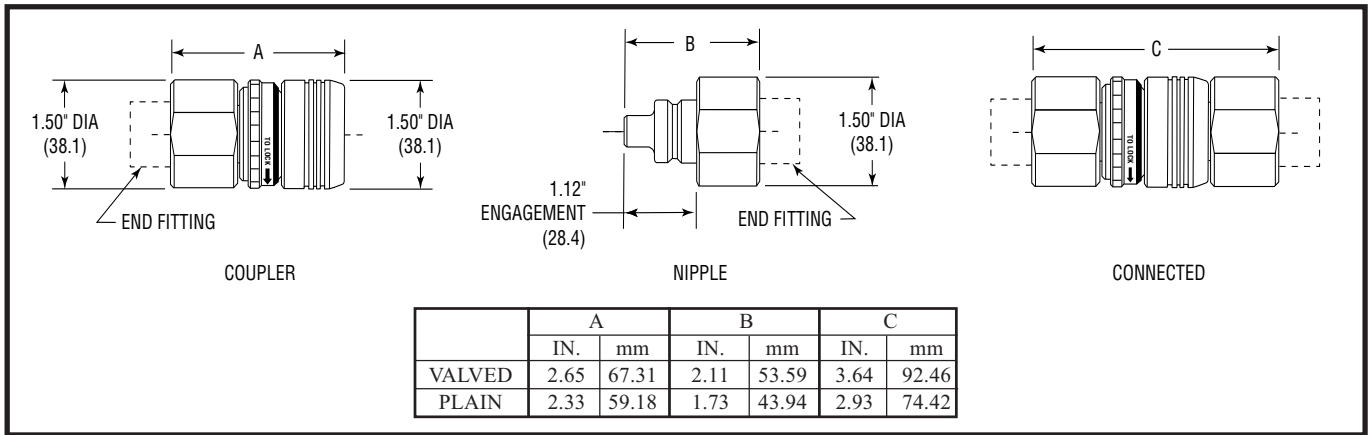


# TECHNICAL AND DIMENSIONAL INFORMATION



## AVAILABLE END FITTINGS

