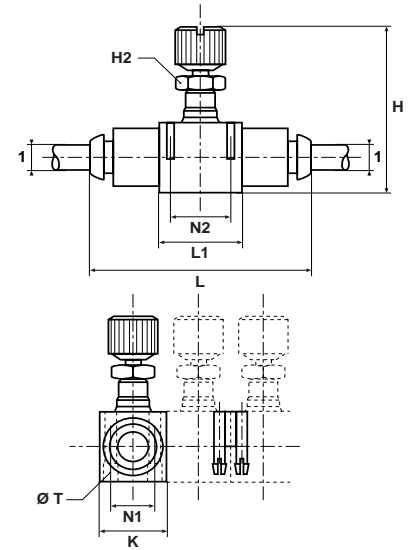


PTFMIPK Flow regulator with Push-In Connection Ultrafine Adjustment

PART NO.	1	H MIN.	H MAX.	K	L	L1	N1	N2	T
PTFMIPK4	4	34	37.0	12	39	15	8	11	2.2
PTFMIPK6	6	42	45.5	17	54	23	11	17	3.2

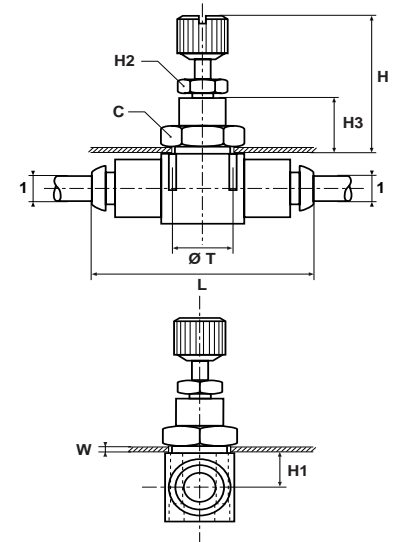


Supplied with 2 clips

PTFIWPK Flow Regulator with Push-In Connection Panel Mountable

PART NO.	1	C	H MIN.	H MAX.	H1	H2	H3	L	T	W MAX.
PTFIWPK4*	4	14	21.5	25.5	6.5	-	11.0	39.0	10.5	6
PTFIWPK6*	6	19	27.5	32.5	7.5	-	13.5	54.0	16.5	7
PTFIWPK8	8	24	28.5	34.5	9.0	11	13.5	60.5	18.5	7
PTFIWPK10†	10	30	29.5	38.5	11.5	14	13.5	76.0	24.5	7
PTFIWPK12†	12	32	32.0	42.0	12.5	14	15.5	86.0	27.5	8

* Ultrafine adjustment



†Indicates non-standard part.
Only items priced in current price list are carried in stock. Dimensions shown may be changed at any time without prior notice.