

Commercial Dock Bumpers Dimensional Catalog



GOODYEAR
RUBBER PRODUCTS INC.

Call Toll Free: **1-866-711-4673**
WebSales@GoodyearRubberProducts.com

**We Ship
World Wide**

JOHNSON – Dependability

The Johnson brand name stands for dependability. Whether it is a Johnson CUTLESS® Bearing, Johnson Stuffing Box, Johnson Demountable Keel Cooler or the Johnson Commercial Dock Bumpers and Tow Knees presented in this catalog, these products were designed to stand up to tough conditions presented by the commercial marine and industrial markets.

JOHNSON Commercial Dock Bumper

Johnson Commercial Dock Bumpers are produced using EPDM rubber (Ethylene-Propylene-Diene-Monomer). EPDM was selected because it has exceptional resistance to weather aging and ozone – typically found in marine applications. It also works in a wide range of conditions and ambient temperatures – also important in marine applications. Use caution when purchasing commercial dock bumpers from other sources. Not all bumpers were created equal. Not all bumpers are manufactured from virgin EPDM rubber.

Hole Drilling & Cutting Service

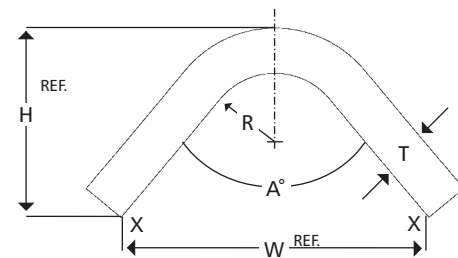
Duramax® Marine has over 40 years of experience in machining, cutting and drilling rubber parts for specialty applications. Drilling mounting holes in the Johnson Commercial Dock Bumpers can be difficult without the right tooling and equipment. You can save time and effort by having Duramax® Marine do the fabrication for you. The cost is extra, but you will appreciate not having to do the fabrication yourself!

Precurved Fender

For installations where fender needs to be mounted on a curved surface, Duramax® Marine has the ability to provide precurved dock bumper sections. When extruded rubber is cured straight and then held in a curved position, there is stress in the part. This stress could be released upon impact causing the rubber piece to tear. Precurved sections are cured with the curve in the part. The rubber is then relaxed in the curved state when you mount it to the substructure. Upon impact, the precurved piece should not tear as readily.

In order to provide a quotation on precurved dock bumpers, please provide the following information to Duramax® Marine:

1. Radius of the hull = R inches
2. **The angle of curvature = A degrees
3. The total length of fender against the hull from X to X
4. The thickness (height) of the fender section to be curved = T
5. The Johnson Commercial Dock Bumper type and dimensions



**If the angle of curvature cannot be determined, dimensions H and W can be substituted for A degrees.

Duramax® Marine recommends that the bending radius be no greater than 150% of the overall height of the cross section. Note that precurving dock bumper will distort the shape of the bumper at and near the bend. Consult your Duramax® Marine representative to determine if precurving is necessary for your installation.

JOHNSON Tow Knee Pusher Plates

For decades, Johnson has been one of the most trusted brands of tow knee pusher plates available. Like the name, Johnson, our tow knees stand up to the test of time because Duramax® Marine specializes in rubber to metal bonding and only uses the highest quality natural rubber.

Protect bows and docks from punishing marine use. Give vessels longer and better service life. Cut repair and replacement downtime. And know that Duramax® Marine is the one you can trust. With one of the largest inventories of tow knee pusher plates in the business, there is a good chance your Johnson tow knees can be shipped by Duramax® Marine, stocking distributors or field warehouses from stock.

100 SERIES

D-SHAPE / KEY BORE

The D-shaped, Key-bore is designed for marine and industrial applications. Provide protection for small vessels, docks, loading docks, trucks and other equipment. Offered in three different EPDM colors: black, grey, and white. Check out our 90 degree molded corner guard / end cap pieces and poly washer strips in the next sections!



CODE NO.	DURAMAX PART NO.	BASE WIDTH (W)	HEIGHT (H)	WALL THICKNESS (WT)	WT./FT.	LENGTH UP TO
DB-50**	802005001	2 1/8"	2"	7/16"	1.3 LBS.	60 FT.
DB-75**	802007501	3 1/8"	2 7/8"	11/16"	2.8 LBS.	60 FT.
DB-100**	802009001	4 1/4"	3 7/8"	3/4"	4.6 LBS.	60 FT.

90° Molded Insert Corners / End Caps

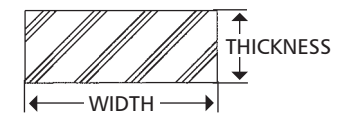
Insert the legs of these molded EPDM corners into the bore of the DB 50, 75 and 100 for a 90 degree corner or to cap off the end of a piece. Stocked in black, grey and white.



CODE NO.	DURAMAX PART NO.	COLOR
DB-51	802005101	BLACK
DB-52	802005202	GREY
DB-53	802005303	WHITE
DB-76	802007601	BLACK
DB-77	802007702	GREY
DB-78	802007803	WHITE
DB-103	802009301	BLACK
DB-104	802009402	GREY
DB-105	802009503	WHITE

100 Series Poly Washer Strip

Supplied in 10-foot sections, our tough polycarbonate washer strip slides inside the Key-bore for mounting.



CODE NO.	DURAMAX PART NO.	WIDTH	THICKNESS	LENGTH
DB-50NS	802000025	1"	3/8"	10 FT.
DB-75NS	802000026	1 1/4"	3/8"	10 FT.
DB-100NS	802000027	1 3/4"	3/8"	10 FT.

TAPERED D-SHAPE / D-BORE

Tapered D-shape offers a slightly different look than the Key-bore cross sections. Also used in marine and industrial applications. Offered in three different EPDM colors: black, grey and white where noted.



CODE NO.	DURAMAX PART NO.	BASE WIDTH (W)	HEIGHT (H)	WALL THICKNESS (WT)	WT./FT.	LENGTH UP TO
DB-101**	802010101	4 1/4"	3 7/8"	3/4"	4.6 LBS.	60 FT.
DB-115	802011501	4 1/2"	3 3/4"	3/4"	4.7 LBS.	60 FT.
DB-125**	802012501	6 3/4"	6"	1 1/2"	13.6 LBS.	20 FT.
DB-150**	802015001	9 1/2"	8"	1 1/2"	19.5 LBS.	20 FT.



Call Toll Free: **1-866-711-4673**
 WebSales@GoodyearRubberProducts.com

We Ship World Wide

200 SERIES CYLINDRICAL / O-BORE

Cylindrical fenders are typically hung by running chain through the bore. These durable fenders come in various diameters to meet many different applications and conditions.

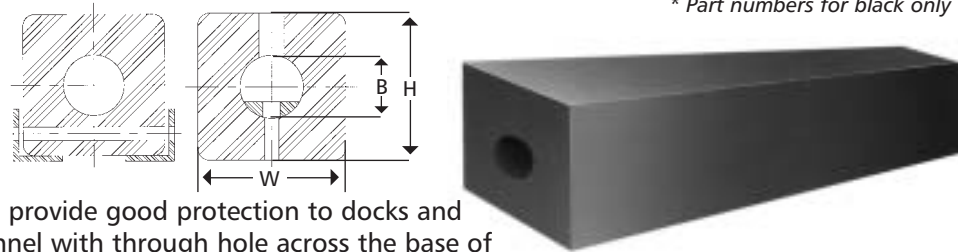


CODE NO.	DURAMAX PART NO.	OUTSIDE DIAMETER (D)	BORE (B)	WT./FT.	LENGTH UP TO
DB-202	802020201	3"	1"	3.2 LBS.	60 FT.
DB-203	802020301	3"	1 1/2"	2.7 LBS.	60 FT.
DB-205	802020501	5"	2 1/2"	8 LBS.	30 FT.
DB-206	802020601	7"	3"	16 LBS.	20 FT.
DB-207	802020701	7"	3 1/2"	15.5 LBS.	20 FT.
DB-208	802020801	8"	4"	18.2 LBS.	20 FT.
DB-210	802021001	10"	5"	32 LBS.	20 FT.
DB-212**	802021201	12"	6"	46 LBS.	20 FT.
DB-215	802021501	15"	7 1/2"	67 LBS.	16 FT.
DB-218	802021801	18"	9"	96.7 LBS.	10 FT.

** Cross section also extruded in white and non-marking grey
* Confirm piece length with Duramax Marine prior to ordering
* Part numbers for black only

300 SERIES RECTANGULAR / O-BORE

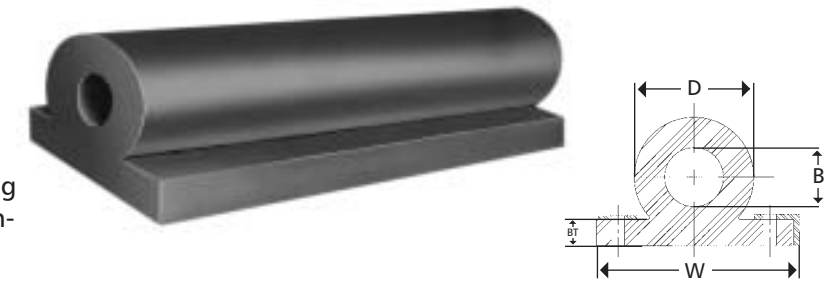
Mounted vertically or horizontally to provide good protection to docks and vessels. Typical mounting is in a channel with through hole across the base of fender. Manufactured in black, non-marking grey and white EPDM where noted.



CODE NO.	DURAMAX PART NO.	HEIGHT (H)	WIDTH (W)	BORE (B)	WT./FT.	LENGTH UP TO
DB-302	802030201	2"	4"	SOLID	3.9 LBS.	60 FT.
DB-303	802030301	3 1/2"	4 1/2"	1"	8 LBS.	60 FT.
DB-304	802030401	5"	5"	2 1/2"	9.8 LBS.	60 FT.
DB-305	802030501	5"	6 1/2"	2 1/2"	13 LBS.	40 FT.
DB-305A	802030511	5 1/2"	6"	2 1/2"	13.9 LBS.	40 FT.
DB-306**	802030601	6"	6 1/2"	2 1/2"	17.4 LBS.	20 FT.
DB-306A	802030611	6"	6"	2 7/8"	14.6 LBS.	20 FT.
DB-306B	802030621	6"	7"	2 1/2"	18 LBS.	20 FT.
DB-307	802030701	7"	10"	3"	34.1 LBS.	20 FT.
DB-307A	802030711	7"	10"	3 1/2"	30 LBS.	20 FT.
DB-308	802030801	8"	8"	3"	28.2 LBS.	20 FT.
DB-309	802030901	8"	10"	3"	39.5 LBS.	20 FT.
DB-309A	802030911	9"	10"	SOLID	50.7 LBS.	20 FT.
DB-310	802031001	10"	10"	4"	42.4 LBS.	20 FT.
DB-311**	802031101	10"	12"	4"	60 LBS.	20 FT.
DB-312**	802031201	12"	12"	5"	65 LBS.	20 FT.
DB-313**	802031301	12"	12"	4"	68.5 LBS.	20 FT.

400 SERIES WING TYPE O-BORE

Designed for easy attachment to vessels and docks. Drill and bolt fender to structure using the integral wings. Eliminates need for mounting holes on the facing. Manufactured in black, non-marking grey and white EPDM where noted.



CODE NO.	DURAMAX PART NO.	BASE WIDTH (W)	BASE THICKNESS (BT)	OUTSIDE DIAM. (D)	BORE	WT./FT.	LENGTH UP TO
DB-404**	802040401	4"	1/2"	2 1/2"	1"	3.5 LBS.	60 FT.
DB-405	802040501	5"	1/2"	2 1/2"	1"	4 LBS.	60 FT.
DB-406	802040601	6"	3/4"	3"	1"	5.3 LBS.	60 FT.
DB-407	802040701	6 1/2"	1"	4"	2"	7 LBS.	60 FT.
DB-408	802040801	6 1/2"	1"	4"	1"	8.9 LBS.	60 FT.
DB-409**	802040901	9"	1 1/2"	6"	3"	14.4 LBS.	20 FT.
DB-410**	802041001	9 1/2"	1 1/2"	6"	2"	16.2 LBS.	20 FT.
DB-412**	802041201	12"	2"	8"	4"	27 LBS.	20 FT.
DB-416	802041601	16"	2 1/2"	10"	4"	46 LBS.	20 FT.
DB-418	802041801	18"	3"	12"	6"	61 LBS.	15 FT.

WING TYPE SOLID BORE



CODE NO.	DURAMAX PART NO.	BASE WIDTH (W)	BASE THICKNESS (BT)	RADIUS (R)	WT./FT.	LENGTH UP TO
DB-460	802046001	10"	1 1/4"	4"	13.6	20 FT.

WING TYPE D-BORE

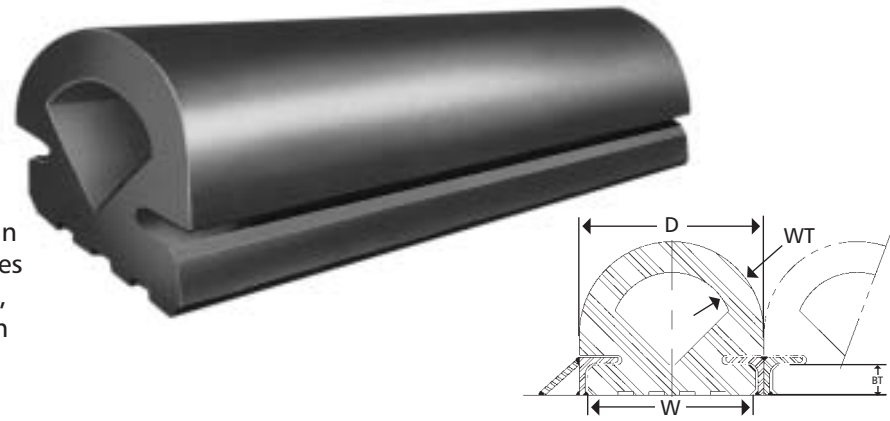


CODE NO.	DURAMAX PART NO.	BASE WIDTH (W)	BASE THICKNESS (BT)	OUTSIDE DIAM. (D)	WALL THICKNESS (WT)	WT./FT.	LENGTH UP TO
DB-440**	802044001	9 1/2"	1 1/4"	6"	1"	14.9 LBS.	20 FT.

** Cross section also extruded in white and non-marking grey
* Confirm piece length with Duramax Marine prior to ordering
* Part numbers for black only

500 SERIES FAN NOSE

For a professional looking D-shaped installation try our fan nose bumper. Held on the vessel, truck or dock in an angle iron channel, no mounting holes are necessary. Manufactured in black, non-marking grey and white EPDM in most sizes.



CODE NO.	DURAMAX PART NO.	BASE WIDTH (W)	BASE THICKNESS (BT)	OUTSIDE DIAM. (D)	WALL THICKNESS (WT)	WT./ FT.	LENGTH UP TO
DB-503**	802050301	2 1/2"	17/32"	3"	5/8"	2.5 LBS.	60 FT.
DB-504**	802050401	3 3/4"	25/32"	4 1/4"	3/4"	3.2 LBS.	60 FT.
DB-506**	802050601	5 7/16"	1"	6"	1"	9.0 LBS.	20 FT.
DB-508**	802050801	7 1/4"	1 3/16"	8"	1 1/2"	15.5 LBS.	20 FT.
DB-510**	802051001	9 1/4"	1 11/16"	10"	1 1/2"	24.8 LBS.	20 FT.
DB-512**	802051201	11"	2"	12"	2"	28.6 LBS.	20 FT.

** Cross section also extruded in white and non-marking grey
* Confirm piece length with Duramax Marine prior to ordering
* Part numbers for black only

600 SERIES RECTANGULAR CHAIN

Unique Johnson rectangular solid bumper includes a continuous chain throughout the piece length. Standard leaders on ends are 6 inches long, but longer lengths are available upon request.



CODE NO.	DURAMAX PART NO.	BASE WIDTH (W)	HEIGHT (H)	CHAIN SIZE	WT./FT.	PROOF COIL CHAIN LOAD LIMIT	ALLOY CHAIN LOAD LIMIT
DB-604	802060401	5"	5"	5/16"	14 LBS.	1750 LBS.	4250 LBS.
DB-605	802060501	5"	5"	5/16"	18 LBS.	1750 LBS.	4250 LBS.
DB-606	802060601	6"	6"	3/8"	22 LBS.	2450 LBS.	6600 LBS.
DB-608	802060801	8"	8"	1/2"	36 LBS.	4250 LBS.	11250 LBS.
DB-609	802060901	8"	8"	5/8"	46 LBS.	6375 LBS.	16500 LBS.
DB-610	802061001	10"	10"	5/8"	65 LBS.	6375 LBS.	16500 LBS.
DB-612	802061201	12"	12"	5/8"	85 LBS.	6375 LBS.	16500 LBS.
DB-614	802061401	14"	14"	5/8"	110 LBS.	6375 LBS.	16500 LBS.

** Cross section also extruded in white and non-marking grey

700 SERIES CYLINDRICAL CHAIN

Unique Johnson cylindrical solid bumper includes a continuous chain throughout the piece length. Standard leaders on ends are 6 inches long, but longer lengths are available upon request.



CODE NO.	DURAMAX PART NO.	OUTSIDE DIAMETER (D)	CHAIN SIZE	APPROX. WT./FT.	PROOF COIL CHAIN LOAD LIMIT	ALLOY CHAIN LOAD LIMIT
DB-705	802070501	5"	5/16"	12 LBS.	1750 LBS.	4250 LBS.
DB-706	802070601	6"	3/8"	16 LBS.	2450 LBS.	6600 LBS.
DB-707	802070701	7"	1/2"	23 LBS.	4250 LBS.	11250 LBS.
DB-708	802070801	8"	5/8"	30 LBS.	6375 LBS.	16500 LBS.
DB-709	802070901	9"	5/8"	37 LBS.	6375 LBS.	16500 LBS.
DB-710	802071001	10"	3/4"	47 LBS.	9125 LBS.	23000 LBS.
DB-711	802071101	11"	3/4"	55 LBS.	9125 LBS.	23000 LBS.
DB-712	802071201	12"	1"	68 LBS.	12400 LBS.	38750 LBS.

** Cross section also extruded in white and non-marking grey
* Confirm piece length with Duramax Marine prior to ordering
* Part numbers for black only

800 SERIES CORNER GUARD

Hard to protect corners? Check out the Johnson corner guard design



CODE NO.	DURAMAX PART NO.	BASE WIDTH (W)	BASE THICKNESS (BT)	WING LENGTH (X)	OUTSIDE DIAMETER (Y)	WT./FT.	LENGTH UP TO
DB-809	802080901	5 9/16"	1 1/2"	2"	3"	21 LBS.	10 FT.

** Cross section also extruded in white and non-marking grey
* Confirm piece length with Duramax Marine prior to ordering
* Part numbers for black only

900 SERIES RECTANGULAR D-SHAPED / O-BORE

Great all purpose, rugged D-shaped bumpers mount by drilling a through hole across the base. Manufactured in black, non-marking grey and white EPDM where noted. See below for true D-shaped, D-bore fenders, another popular design!



CODE NO.	DURAMAX PART NO.	BASE WIDTH (W)	HEIGHT (H)	BORE (B)	RADIUS (R)	WT./FT.	LENGTH UP TO
DB-906**	802090601	5"	6"	2 1/2"	2 1/2"	10.9 LBS.	20 FT.
DB-906A	802090012	6"	6"	3"	3"	13 LBS.	20 FT.
DB-908**	802090801	8"	8"	3"	4"	25 LBS.	20 FT.
DB-909	802090901	8"	10"	3"	4"	34 LBS.	20 FT.
DB-910	802091001	10"	10"	3"	5"	42 LBS.	20 FT.
DB-910A**	802091011	10"	10"	4"	5"	39 LBS.	20 FT.
DB-912**	802091201	12"	12"	4"	6"	66 LBS.	20 FT.
DB-912A**	802091211	12"	12"	5"	6"	65 LBS.	20 FT.
DB-914	802091401	14"	14"	6"	7"	75 LBS.	15 FT.

SQUARE D-SHAPED / D-BORE

Square D-shaped, D-bore bumper are designed for general purpose. Mount by drilling an access hole through the top of the D and a base hole through the flat part of the D. Manufactured in black, non-marking grey and white EPDM where noted.

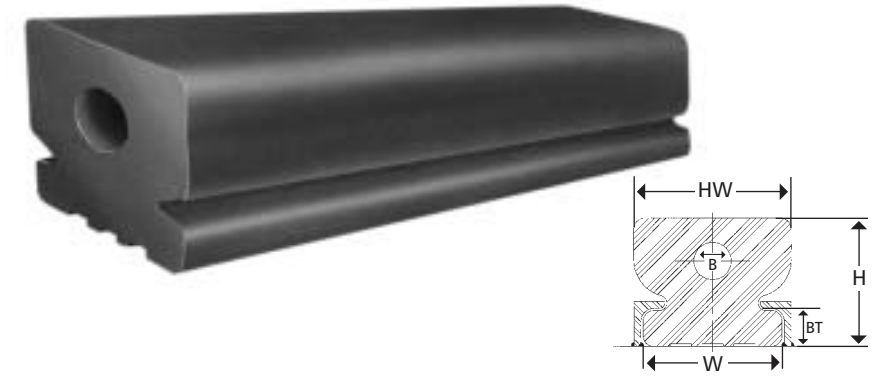


CODE NO.	DURAMAX PART NO.	BASE WIDTH (W)	HEIGHT (H)	BORE (B)	WT./FT.	LENGTH UP TO
DB-954**	802090022	4"	4"	2" x 2"	6 LBS.	20 FT.
DB-956**	802090021	6"	6"	3" x 3"	12.5 LBS.	20 FT.
DB-958	802090005	8"	8"	4" x 4"	21.4 LBS.	20 FT.
DB-960	802090011	10"	10"	5" x 5"	33 LBS.	20 FT.
DB-962**	802090015	12"	12"	6" x 6"	47 LBS.	20 FT.
DB-964	802090003	14"	14"	7" x 7"	72 LBS.	15 FT.

** Cross section also extruded in white and non-marking grey
* Confirm piece length with Duramax Marine prior to ordering
* Part numbers for black only

1000 SERIES FLAT HEAD

For a very professional looking rectangular fender installation try our flat head series! Held on the vessel, truck or dock in an angle iron channel, no mounting holes are necessary. Manufactured in black EPDM.



CODE NO.	DURAMAX PART NO.	BASE WIDTH (W)	BASE THICKNESS (BT)	HEAD WIDTH (HW)	HEIGHT (H)	BORE (B)	WT./FT.	LENGTH UP TO
DB-1006	802100601	6 1/2"	1 11/16"	7 3/8"	6"	1 3/4"	18.6 LBS.	20 FT.
DB-1009	802100901*	9"	2 29/32"	9 7/16"	7 1/2"	3"	24 LBS.	20 FT.

** Cross section also extruded in white and non-marking grey
* Confirm piece length with Duramax Marine prior to ordering
* Part numbers for black only

1100 SERIES CHANNEL LOCK

Yet another unique Johnson dock bumper design that is produced in black, non-marking grey and white. A popular design, especially in white! Duramax® Marine does not supply channel and flat bar for this cross section.



CODE NO.	DURAMAX PART NO.	BASE WIDTH (W)	HEIGHT (H)	WALL THICKNESS	WT./FT. RUBBER ONLY	LENGTH UP TO
DB-1103**	802110301	3"	3 1/4"	1 9/32"	2.8 LBS.	60 FT.
DB-1104**	802110401	4"	4 5/16"	3/4"	4.5 LBS.	40 FT.

** Cross section also extruded in white and non-marking grey
* Confirm piece length with Duramax Marine prior to ordering
* Part numbers for black only

DB-1103: Reynolds Aluminum
Channel No. 351
3" x .247 web
1/4" x 1 1/2" Aluminum Bar

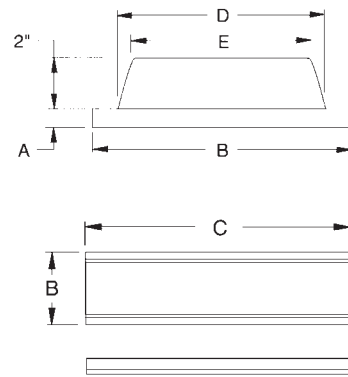
DB-1104: Reynolds Aluminum
Channel No. 2644
4" x .247 web
1/4" x 2" Aluminum Bar

TOW KNEE PUSHER PLATES

SINGLE TOW – KNEES



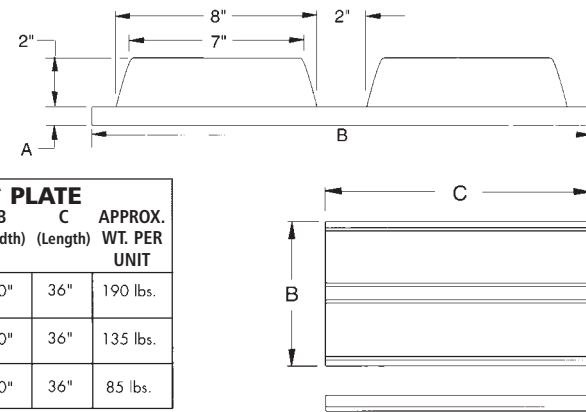
PART NUMBER	STEEL * PLATE			RUBBER		APPROX. WT. PER UNIT
	A (Thickness)	B (Width)	C (Length)	D (Base Width)	E (Surface Width)	
DB - 1408	3/4"	10"	36"	8"	7"	90 lbs.
DB - 1409	1/2"	10"	36"	8"	7"	65 lbs.
DB - 1410	1/4"	10"	36"	8"	7"	50 lbs.
DB - 1508	3/4"	13-1/2"	36"	11-1/4"	10-1/4"	130 lbs.
DB - 1509	1/2"	13-1/2"	36"	11-1/4"	10-1/4"	90 lbs.
DB - 1510	1/4"	13-1/2"	36"	11-1/4"	10-1/4"	70 lbs.



DOUBLE TOW – KNEES



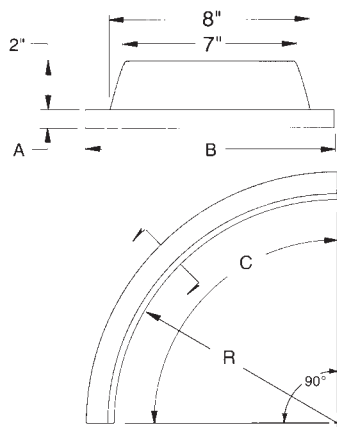
PART NUMBER	STEEL * PLATE			APPROX. WT. PER UNIT
	A (Thickness)	B (Width)	C (Length)	
DB - 1608	3/4"	20"	36"	190 lbs.
DB - 1609	1/2"	20"	36"	135 lbs.
DB - 1610	1/4"	20"	36"	85 lbs.



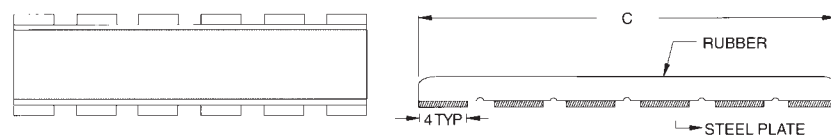
PRECURVED TOW – KNEES



PART NUMBER	STEEL * PLATE				APPROX. WT. PER UNIT
	R Radius	A (Thickness)	B (Width)	C (Length)	
DB - 1708	18"	3/4"	10"	28-1/4"	80 lbs.
DB - 1709	18-1/4"	1/2"	10"	28-5/8"	60 lbs.
DB - 1710	18-1/2"	1/4"	10"	29-1/16"	40 lbs.



SEGMENTED TOW – KNEES

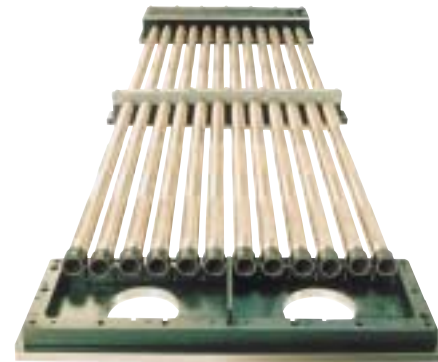


PART NUMBER	STEEL * PLATE				APPROX. WT. PER
	R Radius	A (Thick-ness)	B (Width)	C (Length)	
				8"	
				7"	



DURAMAX® MARINE BEARINGS

Johnson Cutless® Sleeve Bearings
Johnson Cutless® Flanged Bearings
Johnson Cutless® Demountable Rubber Stave Bearings
Romor® I Bearing Staves
Romor® Segmental Housings
Duramax® "490" Rudder Bushings
Duramax® Industrial Bearings



DURAMAX® MARINE HEAT EXCHANGE SYSTEMS

Johnson Demountable Keep Coolers
DuraCooler® Keel Coolers
NRF Box Cooler



DURAMAX® MARINE FENDERING SYSTEMS

Johnson Commercial Dock Bumpers
Johnson Tow Knees
LINERITE®* II composite batterboard systems
Johnson Weatherstrip Door Gaskets,
Window Channel and Hatch Cover Gaskets

*LINERITE® is a registered trademark of the BF Goodrich Company



DURAMAX® MARINE SEALING SYSTEMS

Duramax® Shaft Seal System
Johnson Stuffing Boxes
Duramax® "Strong Boy" Stern Castings and Stuffing Boxes

GOODYEAR
RUBBER PRODUCTS INC.

Call Toll Free: 1-866-711-4673
WebSales@GoodyearRubberProducts.com

**We Ship
World Wide**