



Uncommon Excellence™
1916 - 2016

D
I
X
O
N

S
A
N
I
T
A
R
Y

DIXON
SANITARY



The Right Connection®

2016

D
S
2
0
1

GOODYEAR
GOODYEARBELTING.COM

Call Toll Free: 1-866-711-4673
International: +1-727-342-5086

**We Ship
World Wide**

Clamp Fittings



A p. 7

Pipe Fittings



B p. 34

I-Line & Q-Line



E p. 60

Polished Fittings



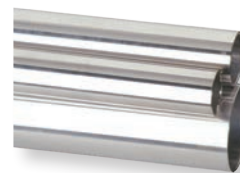
F p. 70

Bio-Pharmaceutical Fittings (BPE)



I p. 92

Tubing



J p. 107

Strainers



M p. 117

Instrumentation



N p. 126

Cam & Groove



Q p. 144

Hose Fittings



R p. 155

Butterfly Valves



Check Valves



Bevel Seat



G

p. 43

John Perry



D

p. 55

Unpolished Fittings



G

p. 80

European Fittings



H

p. 87

Tube Hangers & Wall Flanges



K

p. 109

Sight Glasses



L

p. 115

Cleaning, Washdown & Maintenance



O

p. 135

Swivels



P

p. 141

Air Fittings



S

p. 164

Ball Valves



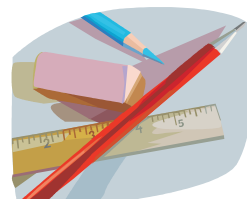
T

p. 171

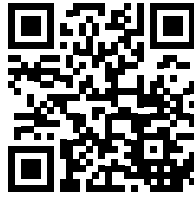
Sample Valves



Technical



Dixon Sanitary Quality: maintaining the standards







3A Certs




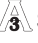

Scan me with your Smart Phone.
No reader?



Download a free QR-Code 2D barcode reader.
<http://www.mobile-barcodes.com/qr-code-software/>



3-A Sanitary Standards, Inc. (3-A SSI) is a non-profit association representing equipment manufacturers, processors, regulatory sanitarians and other public health professionals. Through many decades of cooperation, these groups have established a comprehensive inventory of 3-A Sanitary Standards and 3-A Accepted Practices now known around the world for dairy and food processing equipment and systems.

Dixon Sanitary has earned its  symbols through the  Third Party Verification (TPV) program, requiring a professional assessment rather than voluntary compliance, making certain each product conforms in all respects to the published standards. The  Standards are accepted by USDA and FDA.

Dixon Sanitary holds the following  certification:

- Dixon Sanitary Fittings including BPE meet  Sanitary Standards for Sanitary Fittings, Number 63-03 (Authorization number 621).
- Dixon Sanitary Check Valves meet  Sanitary Standards for Vacuum Breakers and Check Valves, Number 58-00 (Authorization number 1447).
- Dixon Sanitary Pumps meet  Sanitary Standards for Centrifugal Pumps, Number 02-10 (Authorization number 1537).
- Dixon Sanitary Filter/Strainers meet  Sanitary Standards for Filters Using Single Service Media, Number 10-04 (Authorization number 1446).
- Dixon Sanitary Seat Valves meet  Sanitary Standards for Compression - Type Valves, Number 53-06 (Authorization number 1655)

We carry  material from other suppliers who have also earned their  authorizations through the TPV Program:

- United (Authorization 331) Metal Tubing meets  Sanitary Standards for Metal Tubing, Number 33-02.
- CSE (Authorization 850) Gauges meet  Sanitary Standards for Sensors and Sensor Fittings and Connections, Number 74-03.

Visit the Dixon website, dixonvalve.com, to download certificates in PDF format or call Dixon Sanitary at 800.789.1718.

GOODYEAR
GOODYEARBELTING.COM

Call Toll Free: 1-866-711-4673
International: +1-727-342-5086

We Ship
World Wide

Stainless Steel Air & Vacuum Relief Tank Vent Valve



Tank Vent Valve
pages: 225 - 226

Compact Sight Glasses



Compact Sight Glasses
page:116

Side-Outlet Reverse Entry Strainer



pages: 122 - 123

Stainless Steel Industrial Wafer Ball Valve



Dixon Sanitary Engineered Products

Actuation



pneumatic



control tops



electric



canister



solenoids

Valves



seat



long stroke



aseptic



mixproof



diaphragm



biocheck



control

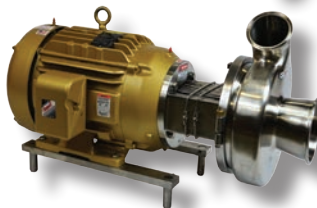
Positive Displacement and Centrifugal Pumps



positive displacement



pump carts



centrifugal

Dixon Sanitary Custom Fabrication

Machined, Welded and Polished Components



GOODYEAR
GOODYEARBELTING.COM

Call Toll Free: 1-866-711-4673
International: +1-727-342-5086

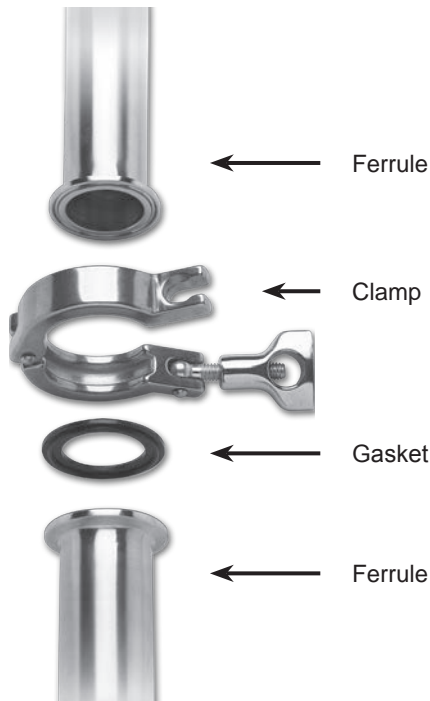
**We Ship
World Wide**



Dixon Sanitary Clamp Fittings

A Complete Clamp Connection

Product Specifications



Size range:

- ½" - 12" OD tube

Materials:

- G = 304 stainless steel
- R = 316L stainless steel
- other alloys are available

Finish:

- 3A sanitary finish ID and OD
- other finishes are available

Dimensions of stainless steel tube given in inches

| Tube OD | Nominal Wall Thickness (inches) | Gage Number |
|---------|---------------------------------|-------------|
| ½" | .065 | 16 |
| ¾" | .065 | 16 |
| 1" | .065 | 16 |
| 1½" | .065 | 16 |
| 2" | .065 | 16 |
| 2½" | .065 | 16 |
| 3" | .065 | 16 |
| 4" | .083 | 14 |
| 5" | .109 | 12 |
| 6" | .109 | 12 |
| 8" | .120 | 10 |
| 10" | .109 | 12 |
| 12" | .120 | 10 |

This section contains tube OD materials. Please note in sizes ½" through 12" the pipe is known by its nominal inside diameter, which differs from its actual inside diameter. To distinguish pipe sizes from actual measured diameters as used for tube, the terms *iron pipe size* (IPS) or *nominal pipe size* (NPS) are usually used. For all pipe sizes, the outside diameter (OD) remains constant; the variations in wall thickness affect the inside diameter (ID).




Pipe size and Tube OD size materials are not interchangeable

Index

| | | | |
|------------------------------|-------|--|-------|
| Clamps and Accessories | 7-9 | Reducers | 20-21 |
| Ferrules | 10-12 | Miscellaneous..... | 21-22 |
| Caps | 12 | Sanitary Break Away Clamp Version | 23 |
| Adapters | 13-16 | Gaskets | 24-31 |
| Elbows | 17-18 | Clamp Fittings & Gasket Sizing Chart | 32-33 |
| Tees | 19 | | |

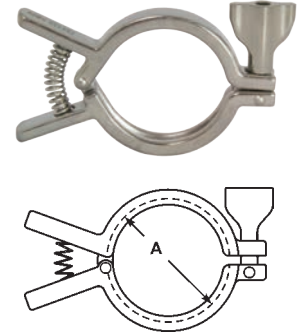
Clamps

Service pressure ratings are based on the following parameters: matching elastomer gaskets and weld ferrules properly aligned and assembled with the clamps tightened to the required torques. Tests are done hydrostatically with no water hammer or shock loads. Please note the pressure ratings of the described unions may be above the recommended pipe line operating pressures. 

Single Pin Squeeze Clamps - 13MHHM-Q

| Tube OD | Service Pressure Rating @ 70°F ¹ | Service Pressure Rating @ 250°F ¹ | A | Part Number |
|----------|---|--|-------|-----------------------|
| ½" - ¾" | 1500 | 1200 | 1.062 | 13MHHM-Q75 |
| 1" - 1½" | 500 | 300 | 2.122 | 13MHHM-Q100150 |
| 2" | 450 | 250 | 2.654 | 13MHHM-Q200 |
| 2½" | 400 | 200 | 3.185 | 13MHHM-Q250 |
| 3" | 350 | 175 | 3.717 | 13MHHM-Q300 |
| 4" | 300 | 150 | 4.820 | 13MHHM-Q400 |

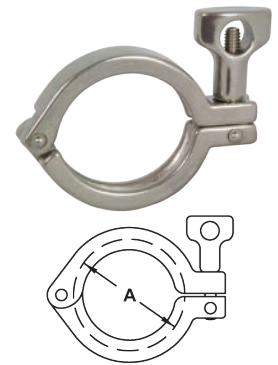
¹ wing nut tightened to 25 in. lb. of torque



Single Pin Heavy Duty Clamps with Cross Hole Wing Nut - 13MHHM

| Tube OD | Service Pressure Rating @ 70°F ¹ | Service Pressure Rating @ 250°F ¹ | A | Part Number |
|----------|---|--|-------|----------------------|
| ½" - ¾" | 1500 | 1200 | 1.062 | 13MHHM50-75 |
| 1" - 1½" | 500 | 300 | 2.122 | 13MHHM100-150 |
| 2" | 450 | 250 | 2.654 | 13MHHM200 |
| 2½" | 400 | 200 | 3.185 | 13MHHM250 |
| 3" | 350 | 175 | 3.717 | 13MHHM300 |
| 4" | 300 | 150 | 4.820 | 13MHHM400 |
| 5" | 225 | 100 | 5.820 | 13MHHM500 |
| 6" | 150 | 75 | 6.695 | 13MHHM600 |
| 8" | 100 | 50 | 8.695 | 13MHHM800 |

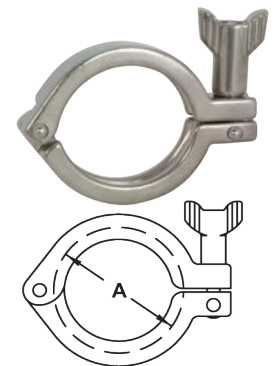
¹ wing nut tightened to 25 in. lb. of torque



Single Pin Heavy Duty Clamps with Serrated Wing Nut - 13MHHM***SN

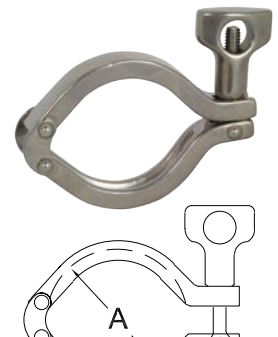
| Tube OD | Service Pressure Rating @ 70°F ¹ | Service Pressure Rating @ 250°F ¹ | A | Part Number |
|----------|---|--|-------|------------------------|
| ½" - ¾" | 1500 | 1200 | 1.062 | 13MHHM50-75SN |
| 1" - 1½" | 500 | 300 | 2.122 | 13MHHM100-150SN |
| 2" | 450 | 250 | 2.654 | 13MHHM200SN |
| 2½" | 400 | 200 | 3.185 | 13MHHM250SN |
| 3" | 350 | 175 | 3.717 | 13MHHM300SN |
| 4" | 300 | 150 | 4.820 | 13MHHM400SN |
| 5" | 225 | 100 | 5.820 | 13MHHM500SN |
| 6" | 150 | 75 | 6.695 | 13MHHM600SN |
| 8" | 100 | 50 | 8.695 | 13MHHM800SN |

¹ wing nut tightened to 25 in. lb. of torque

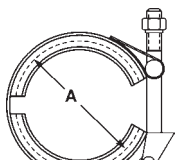
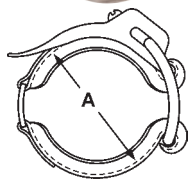
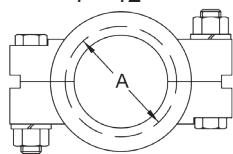
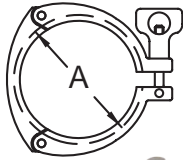


Double Pin Heavy Duty Clamps - 13MHHM-DP

| Tube OD | Service Pressure Rating @ 70°F ¹ | Service Pressure Rating @ 250°F ¹ | A | Part Number |
|----------|---|--|--------|------------------------|
| 1" - 1½" | 500 | 300 | 2.122 | 13MHHM-DP100150 |
| 2" | 450 | 250 | 2.654 | 13MHHM-DP200 |
| 2½" | 400 | 200 | 3.185 | 13MHHM-DP250 |
| 3" | 350 | 175 | 3.717 | 13MHHM-DP300 |
| 4" | 300 | 150 | 4.820 | 13MHHM-DP400 |
| 10" | 100 | 50 | 10.740 | 13MHHM-DP1000 |



Clamps



Three Segment Clamps - 13MHMM-3P

| Tube OD | Service Pressure Rating @ 70°F ¹ | Service Pressure Rating @ 250°F ¹ | A | Part Number |
|----------|---|--|--------|------------------------|
| 1" - 1½" | 600 | 300 | 2.122 | 13MHMM-3P100150 |
| 2" | 550 | 275 | 2.654 | 13MHMM-3P200 |
| 2½" | 450 | 225 | 3.185 | 13MHMM-3P250 |
| 3" | 350 | 175 | 3.717 | 13MHMM-3P300 |
| 4" | 300 | 150 | 4.820 | 13MHMM-3P400 |
| 12" | 75 | 50 | 12.740 | 13MHMM-3P1200 |

¹ wing nut tightened to 25 in. lb. of torque

Bolted Clamps - 13MHP

| Tube OD | Service Pressure Rating @ 70°F ¹ | Service Pressure Rating @ 250°F ¹ | A | Part Number |
|----------|---|--|--------|---------------------|
| ½" - ¾" | 1500 | 1200 | 1.062 | 13MHP75 |
| 1" - 1½" | 1500 | 1200 | 2.046 | 13MHP100-150 |
| 2" | 1000 | 800 | 2.578 | 13MHP200 |
| 2½" | 1000 | 800 | 3.110 | 13MHP250 |
| 3" | 1000 | 800 | 3.640 | 13MHP300 |
| 4" | 800 | 600 | 4.744 | 13MHP400 |
| 6" | 300 | 200 | 6.632 | 13MHP600 |
| 8" | 250 | 150 | 8.638 | 13MHP800 |
| 10" | 200 | 125 | 10.740 | 13MHP1000 |
| 12" | 150 | 100 | 12.740 | 13MHP1200 |

¹ all nuts are tightened to 20 ft. lb. of torque

Toggle Clamps - 13MHLA

| Tube OD | Service Pressure Rating @ 70°F ¹ | Service Pressure Rating @ 250°F ¹ | A | 304 Stainless Steel Part Number |
|----------|---|--|-------|---------------------------------|
| 1" - 1½" | 150 | 125 | 2.122 | 13MHLA100-150 |
| 2" | 150 | 125 | 2.654 | 13MHLA200 |
| 2½" | 150 | 125 | 3.185 | 13MHLA250 |
| 3" | 150 | 125 | 3.717 | 13MHLA300 |
| 4" | 100 | 75 | 4.820 | 13MHLA400 |

¹ screw tightened to maximum

T-bolt Clamps - 13MO

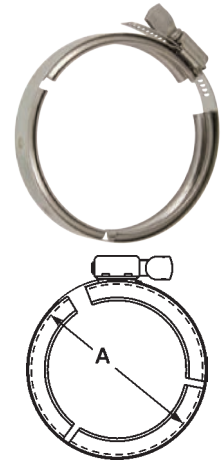
| Tube OD | Service Pressure Rating @ 70°F ¹ | Service Pressure Rating @ 250°F ¹ | A | 304 Stainless Steel Part Number |
|------------------|---|--|--------|---------------------------------|
| 1" - 1½" | 500 | 250 | 2.080 | 13MO100-150 |
| 2" | 350 | 200 | 2.610 | 13MO200 |
| 2½" | 300 | 150 | 3.140 | 13MO250 |
| 3" | 200 | 100 | 3.670 | 13MO300 |
| 4" | 100 | 75 | 4.780 | 13MO400 |
| 6" | 75 | 50 | 6.690 | 13MO600 |
| 8" ² | 50 | 40 | 8.690 | 13MO800 |
| 10" ² | 40 | 30 | 10.690 | 13MO1000 |
| 12" ² | 30 | 25 | 12.690 | 13MO1200 |

Clamps

Dairy Clamps - 13WGC

| Tube OD | Service Pressure Rating @ 70°F ¹ | Service Pressure Rating @ 250°F ¹ | A | 304 Stainless Steel Part Number |
|----------|---|--|-------|---------------------------------|
| 1" - 1½" | 100 | 75 | 2.080 | 13WGC100-150 |
| 2" | 100 | 75 | 2.610 | 13WGC200 |
| 2½" | 100 | 75 | 3.140 | 13WGC250 |
| 3" | 100 | 75 | 3.670 | 13WGC300 |
| 4" | 100 | 75 | 4.780 | 13WGC400 |

¹ finger tight

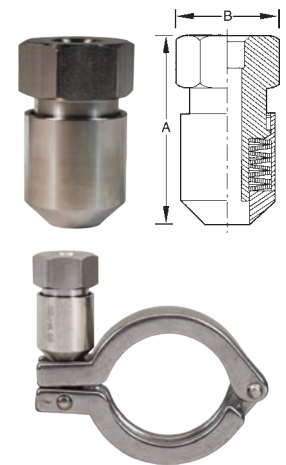


Spring Loaded Nut - 13SLN

Features:

- Lines using PTFE gaskets that are subject to large temperature swings can benefit from this special product. As the PTFE is compressed through the cycling of the lines, the spring load will help keep the connection from leaking.
- If the lines suffer from vibration and bolted clamps are not an option, refitting single pin clamps with this nut will keep the connections from leaking for a longer time than the standard wing nuts.
- If you transport material in tanks via truck, the vibrations can loosen the standard single pin clamps. Spring loaded nuts can add a level of insurance to the shipment.
- *Note:* can be used on all wing nut style clamps
- torque to 50 in. lb.

| Thread | A | B | 304 Stainless Steel Part Number |
|-----------|------|------|---------------------------------|
| 5/16 - 18 | 1.73 | .875 | 13SLN |



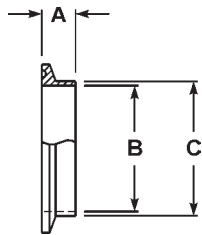
Accessories

| Description | Part Number |
|---|------------------|
| Cross hole wing nut 5/16"-18 | 13WNX |
| Mini cross hole wing nut 5/16"-18 for ½" - ¾" clamps | 13WNXM |
| Serrated wing nut 5/16"-18 | 13WNS |
| Hex wing nut 5/16"-18 | 13WNH |
| Bronze hex nut 3/8"-16 for bolted clamps | 13BN |
| Brass 3/8-16 nuts used on ½" - ¾" and 10" & 12" bolted clamps | 13BNH |
| Stainless steel hex nut for bolted clamps | 13SN |
| 3/8" 304 stainless steel lock washer | 13LW |
| Bolt 3/8"-16 x 2¼" for ½" - 1½" bolted clamps | 13CB-2.25 |
| Bolt 3/8"-16 x 2¾" for 2" and 2½" bolted clamps | 13CB-2.75 |
| Bolt 3/8"-16 x 3¼" for 3" - 12" bolted clamps | 13CB-3.25 |
| Rivet pin for ½" - 5" single pin clamps 5/16" x 1" | 13RP |
| Rivet pin for 6" and 8" single pin clamps 5/16" x 1-1/8" | 13RP6 |
| 5/16"-18 x 2" threaded eye bolt for ½" - 5" clamps | 13IB |
| 5/16"-18 x 2½" threaded eye bolt for 6" - 12" clamps | 13IB6 |



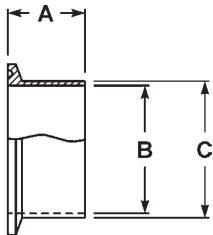
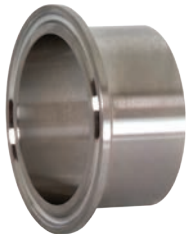
Clamp Ferrules

3 Short Weld Ferrules - 14WMP



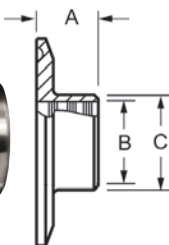
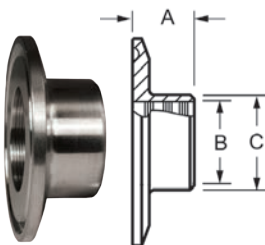
| Tube OD | A | B | C | 304 Stainless Steel Part Number | 316L Stainless Steel Part Number |
|---------|------|--------|--------|---------------------------------|----------------------------------|
| ½" | .500 | .370 | .500 | 14WMP-G50 | 14WMP-R50 |
| ¾" | .500 | .620 | .750 | 14WMP-G75 | 14WMP-R75 |
| 1" | .500 | .870 | 1.000 | 14WMP-G100 | 14WMP-R100 |
| 1½" | .500 | 1.370 | 1.500 | 14WMP-G150 | 14WMP-R150 |
| 2" | .500 | 1.870 | 2.000 | 14WMP-G200 | 14WMP-R200 |
| 2½" | .500 | 2.370 | 2.500 | 14WMP-G250 | 14WMP-R250 |
| 3" | .500 | 2.870 | 3.000 | 14WMP-G300 | 14WMP-R300 |
| 4" | .625 | 3.834 | 4.000 | 14WMP-G400 | 14WMP-R400 |
| 5" | .750 | 4.782 | 5.000 | 14WMP-G500 | 14WMP-R500 |
| 6" | .875 | 5.782 | 6.000 | 14WMP-G600 | 14WMP-R600 |
| 8" | .875 | 7.760 | 8.000 | 14WMP-G800 | 14WMP-R800 |
| 10" | .875 | 9.782 | 10.000 | 14WMP-G1000 | 14WMP-R1000 |
| 12" | .875 | 11.760 | 12.000 | 14WMP-G1200 | 14WMP-R1200 |

3 Long Weld Ferrules - L14AM7



| Tube OD | A | B | C | 304 Stainless Steel Part Number | 316L Stainless Steel Part Number |
|---------|-------|--------|--------|---------------------------------|----------------------------------|
| ½" | 1.125 | .370 | .500 | L14AM7-G50 | L14AM7-R50 |
| ¾" | 1.125 | .620 | .750 | L14AM7-G75 | L14AM7-R75 |
| 1" | 1.125 | .870 | 1.000 | L14AM7-G100 | L14AM7-R100 |
| 1½" | 1.125 | 1.370 | 1.500 | L14AM7-G150 | L14AM7-R150 |
| 2" | 1.125 | 1.870 | 2.000 | L14AM7-G200 | L14AM7-R200 |
| 2½" | 1.125 | 2.370 | 2.500 | L14AM7-G250 | L14AM7-R250 |
| 3" | 1.125 | 2.870 | 3.000 | L14AM7-G300 | L14AM7-R300 |
| 4" | 1.125 | 3.834 | 4.000 | L14AM7-G400 | L14AM7-R400 |
| 5" | 1.125 | 4.782 | 5.000 | L14AM7-G500 | L14AM7-R500 |
| 6" | 1.500 | 5.782 | 6.000 | L14AM7-G600 | L14AM7-R600 |
| 8" | 1.500 | 7.760 | 8.000 | L14AM7-G800 | L14AM7-R800 |
| 10" | 1.750 | 9.782 | 10.000 | L14AM7-G1000 | L14AM7-R1000 |
| 12" | 1.750 | 11.760 | 12.000 | L14AM7-G1200 | L14AM7-R1200 |

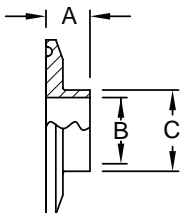
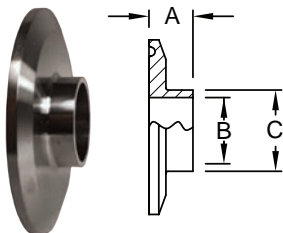
3* Reducing Roll-on Ferrules for Expanding - B31RMP



| Clamp End | Tube OD | A | B | C | 304 Stainless Steel Part Number |
|-----------|---------|-------|-------|-------|---------------------------------|
| 1½" | 1" | .750 | 1.007 | 1.160 | B31RMP-G150100 |
| 2" | 1" | .750 | 1.007 | 1.160 | B31RMP-G200100 |
| 2" | 1½" | 1.125 | 1.507 | 1.676 | B31RMP-G200150 |

* Meets 3-A Standard Number 63-03 when used to modify or repair existing on-site farm milk handling systems.

3 Reducing Ferrules - B31WMP



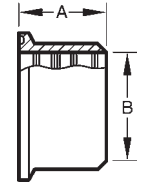
| Tube OD | A | B | C | 304 Stainless Steel Part Number | 316L Stainless Steel Part Number |
|-----------|------|-------|-------|---------------------------------|----------------------------------|
| 2" x 1" | .500 | .870 | 1.000 | B31WMP-G200100 | B31WMP-R200100 |
| 2½" x 1½" | .500 | 1.370 | 1.500 | B31WMP-G250150 | B31WMP-R250150 |
| 2½" x 2" | .500 | 1.870 | 2.000 | B31WMP-G250200 | B31WMP-R250200 |
| 3" x 2" | .500 | 1.870 | 2.000 | B31WMP-G300200 | B31WMP-R300200 |
| 3" x 2½" | .500 | 2.370 | 2.500 | B31WMP-G300250 | B31WMP-R300250 |

Clamp Ferrules

Roll-On Ferrules for Expanding - 14RMP 

| Tube OD | A | B | 304 Stainless Steel Part Number | 316L Stainless Steel Part Number |
|---------|-------|-------|---------------------------------|----------------------------------|
| 1" | .750 | 1.005 | 14RMP-G100 | 14RMP-R100 |
| 1½" | 1.125 | 1.505 | 14RMP-G150 | 14RMP-R150 |
| 2" | 1.312 | 2.005 | 14RMP-G200 | 14RMP-R200 |
| 2½" | 1.375 | 2.505 | 14RMP-G250 | 14RMP-R250 |
| 3" | 1.437 | 3.005 | 14RMP-G300 | 14RMP-R300 |
| 4" | 1.500 | 4.005 | 14RMP-G400 | 14RMP-R400 |
| 6" | 2.000 | 6.005 | 14RMP-G600 | --- |

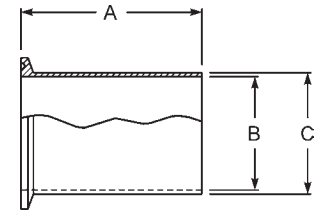
* Meets 3-A Standard Number 63-03 when used to modify or repair existing on-site farm milk handling systems.

Automatic Weld Ferrules - TL14AM7 

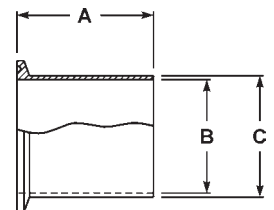
Specification:

- meets ASME BPE-2012 specifications

| Tube OD | A | B | C | 316L Stainless Steel Part Number |
|---------|-------|-------|-------|----------------------------------|
| ½" | 1.750 | .370 | .500 | TL14AM7-050PL |
| ¾" | 1.750 | .620 | .750 | TL14AM7-075PL |
| 1" | 1.750 | .870 | 1.000 | TL14AM7-100PL |
| 1½" | 1.750 | 1.370 | 1.500 | TL14AM7-150PL |
| 2" | 2.250 | 1.870 | 2.000 | TL14AM7-200PL |
| 2½" | 2.250 | 2.370 | 2.500 | TL14AM7-250PL |
| 3" | 2.250 | 2.870 | 3.000 | TL14AM7-300PL |
| 4" | 2.250 | 3.834 | 4.000 | TL14AM7-400PL |
| 6" | 3.000 | 5.782 | 6.000 | TL14AM7-600PL |

Tank Ferrules (light duty) - 14WLMP 

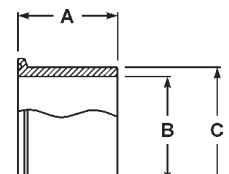
| Tube OD | A | B | C | 304 Stainless Steel Part Number | 316L Stainless Steel Part Number |
|---------|-------|--------|--------|---------------------------------|----------------------------------|
| 1" | 3.000 | .870 | 1.000 | 14WLMP-G100 | 14WLMP-R100 |
| 1½" | 3.000 | 1.370 | 1.500 | 14WLMP-G150 | 14WLMP-R150 |
| 2" | 3.000 | 1.870 | 2.000 | 14WLMP-G200 | 14WLMP-R200 |
| 2½" | 3.000 | 2.370 | 2.500 | 14WLMP-G250 | 14WLMP-R250 |
| 3" | 4.000 | 2.870 | 3.000 | 14WLMP-G300 | 14WLMP-R300 |
| 4" | 4.000 | 3.834 | 4.000 | 14WLMP-G400 | 14WLMP-R400 |
| 6" | 6.000 | 5.782 | 6.000 | 14WLMP-G600 | 14WLMP-R600 |
| 8" | 6.000 | 7.760 | 8.000 | --- | 14WLMP-R800 |
| 10" | 6.000 | 9.782 | 10.000 | --- | 14WLMP-R1000 |
| 12" | 6.000 | 11.760 | 12.000 | --- | 14WLMP-R1200 |

Tank Ferrules (heavy duty) - 14MPW 

Specification:

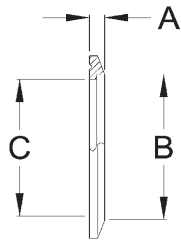
- certified ASME materials

| Tube OD | A | B | C | 316L Stainless Steel Part Number |
|---------|-------|-------|-------|----------------------------------|
| ½" | 1.625 | .321 | .502 | 14MPW-R50 |
| ¾" | 1.625 | .574 | .750 | 14MPW-R75 |
| 1" | 1.625 | .870 | 1.160 | 14MPW-R100 |
| 1½" | 1.625 | 1.370 | 1.676 | 14MPW-R150 |
| 2" | 1.750 | 1.870 | 2.192 | 14MPW-R200 |
| 2½" | 1.750 | 2.370 | 2.708 | 14MPW-R250 |
| 3" | 1.813 | 2.870 | 3.224 | 14MPW-R300 |
| 4" | 2.125 | 3.834 | 4.256 | 14MPW-R400 |



Clamp Ferrules

Quick Weld Ferrules - 14QMP



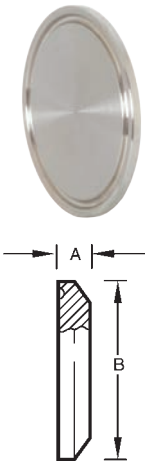
Features:

- 304 stainless construction
- just slip onto sanitary OD tube and weld
- no need to butt weld

| Tube OD | A | B | C | 304 Stainless Steel Part Number |
|---------|------|-------|-------|---------------------------------|
| 1" | .290 | 1.005 | .870 | 14QMP-G100 |
| 1½" | .199 | 1.505 | 1.370 | 14QMP-G150 |
| 2" | .205 | 2.005 | 1.870 | 14QMP-G200 |
| 2½" | .210 | 2.505 | 2.370 | 14QMP-G250 |
| 3" | .257 | 3.005 | 2.870 | 14QMP-G300 |
| 4" | .235 | 4.005 | 3.834 | 14QMP-G400 |
| 6" | .321 | 6.005 | 5.782 | 14QMP-G600 |

Clamp Caps

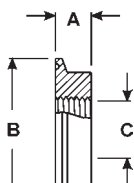
Solid End Caps - 16AMP



| Tube OD | A | B | 304 Stainless Steel Part Number | 316L Stainless Steel Part Number |
|----------|------|--------|---------------------------------|----------------------------------|
| ½" - ¾" | .187 | .992 | 16AMP-G50-75 | 16AMP-R50-75 |
| 1" - 1½" | .250 | 1.984 | 16AMP-G100-150 | 16AMP-R100-150 |
| 2" | .250 | 2.516 | 16AMP-G200 | 16AMP-R200 |
| 2½" | .250 | 3.047 | 16AMP-G250 | 16AMP-R250 |
| 3" | .250 | 3.579 | 16AMP-G300 | 16AMP-R300 |
| 4" | .312 | 4.682 | 16AMP-G400 | 16AMP-R400 |
| 5" | .312 | 5.687 | 16AMP-G500 | 16AMP-R500 |
| 6" | .437 | 6.570 | 16AMP-G600 | 16AMP-R600 |
| 8" | .437 | 8.570 | 16AMP-G800 | 16AMP-R800 |
| 10" | .437 | 10.570 | 16AMP-G1000 | 16AMP-R1000 |
| 12" | .437 | 12.570 | 16AMP-G1200 | 16AMP-R1200 |

- specify if you are using a piping system or a tubing system when ordering

Thermometer Caps - B23BMP



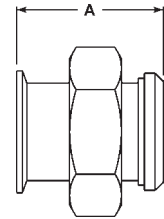
| Tube OD | A | B | C ¹ | 304 Stainless Steel Part Number | 316L Stainless Steel Part Number |
|---------|------|-------|----------------|---------------------------------|----------------------------------|
| ½" | .500 | .993 | ¼ NPT | --- | B23BMP-R5014 |
| ¾" | .500 | .993 | ¼ NPT | --- | B23BMP-R7514 |
| 1" | .625 | 1.984 | ½ NPT | B23BMP-G100 | B23BMP-R100 |
| 1½" | .625 | 1.984 | ¾ NPT | B23BMP-G150 | B23BMP-R150 |
| 2" | .625 | 2.516 | ¾ NPT | B23BMP-G200 | B23BMP-R200 |
| 2½" | .625 | 3.047 | ¾ NPT | B23BMP-G250 | B23BMP-R250 |
| 3" | .625 | 3.579 | ¾ NPT | B23BMP-G300 | B23BMP-R300 |
| 4" | .625 | 4.682 | ¾ NPT | B23BMP-G400 | B23BMP-R400 |

¹ other NPT tap sizes available, call Dixon Sanitary

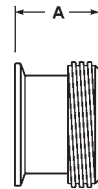
Clamp Adapters

Clamp x Plain Bevel Seat Adapters with Hex Nut - 17MP-14 

| Tube OD | A | 304 Stainless Steel Part Number |
|---------|-------|---------------------------------|
| 1" | 3.000 | 17MP-14-G100 |
| 1½" | 3.000 | 17MP-14-G150 |
| 2" | 3.000 | 17MP-14-G200 |
| 2½" | 3.500 | 17MP-14-G250 |
| 3" | 3.750 | 17MP-14-G300 |
| 4" | 4.000 | 17MP-14-G400 |

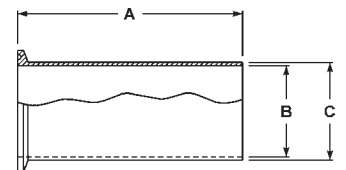
Clamp x Threaded Bevel Seat Adapters - 17MP-15 

| Tube OD | A | 304 Stainless Steel Part Number |
|---------|-------|---------------------------------|
| 1" | 1.843 | 17MP-15-G100 |
| 1½" | 1.843 | 17MP-15-G150 |
| 2" | 1.875 | 17MP-15-G200 |
| 2½" | 2.000 | 17MP-15-G250 |
| 3" | 2.031 | 17MP-15-G300 |
| 4" | 2.156 | 17MP-15-G400 |



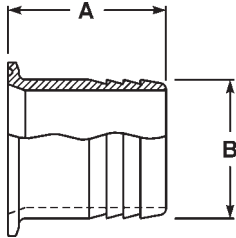
Tygon® Hose Adapters - 14MPHT

| Tube OD | A | B | C | 316L Stainless Steel Part Number |
|---------|-------|-------|-------|----------------------------------|
| ½" | 4.000 | .370 | .500 | 14MPHT-R50 |
| ¾" | 4.000 | .620 | .750 | 14MPHT-R75 |
| 1" | 4.500 | .870 | 1.000 | 14MPHT-R100 |
| 1½" | 4.500 | 1.370 | 1.500 | 14MPHT-R150 |
| 2" | 4.500 | 1.870 | 2.000 | 14MPHT-R200 |
| 2½" | 4.500 | 2.370 | 2.500 | 14MPHT-R250 |
| 3" | 4.500 | 2.870 | 3.000 | 14MPHT-R300 |
| 4" | 4.625 | 3.834 | 4.000 | 14MPHT-R400 |
| 6" | 6.000 | 5.782 | 6.000 | 14MPHT-R600 |



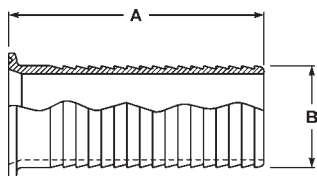
Clamp Adapters

Rubber Hose Adapters - 14MPHR



| Tube OD | Hose Size | A | B | 304 Stainless Steel Part Number | 316L Stainless Steel Part Number |
|---------|-----------|-------|-------|---------------------------------|----------------------------------|
| 1/2" | 1/8" | 1.250 | .125 | --- | 14MPHR-R50125 |
| 1/2" | 1/4" | 1.500 | .250 | --- | 14MPHR-R5025 |
| 1/2" | 3/8" | 1.500 | .375 | --- | 14MPHR-R50375 |
| 1/2" | 1/2" | 1.500 | .500 | --- | 14MPHR-R50 |
| 1/2" | 3/4" | 1.500 | .750 | --- | 14MPHR-R5075 |
| 3/4" | 1/8" | 1.500 | .125 | --- | 14MPHR-R75125 |
| 3/4" | 1/4" | 1.500 | .250 | --- | 14MPHR-R7525 |
| 3/4" | 3/8" | 1.500 | .375 | --- | 14MPHR-R75375 |
| 3/4" | 1/2" | 1.500 | .500 | --- | 14MPHR-R7550 |
| 3/4" | 3/4" | 1.500 | .750 | --- | 14MPHR-R75 |
| 1" | 3/8" | 1.500 | .375 | 14MPHR-G100375 | 14MPHR-R100375 |
| 1" | 1/2" | 1.500 | .500 | 14MPHR-G10050 | 14MPHR-R10050 |
| 1" | 3/4" | 1.688 | .750 | 14MPHR-G10075 | 14MPHR-R10075 |
| 1" | 1" | 1.688 | 1.000 | 14MPHR-G100 | 14MPHR-R100 |
| 1 1/2" | 1/8" | 1.500 | .125 | 14MPHR-G150125 | 14MPHR-R150125 |
| 1 1/2" | 1/4" | 1.500 | .250 | --- | 14MPHR-R15025 |
| 1 1/2" | 3/8" | 1.500 | .375 | 14MPHR-G150375 | 14MPHR-R150375 |
| 1 1/2" | 1/2" | 1.500 | .500 | 14MPHR-G15050 | 14MPHR-R15050 |
| 1 1/2" | 5/8" | 1.500 | .625 | 14MPHR-G150625 | 14MPHR-R150625 |
| 1 1/2" | 3/4" | 1.500 | .750 | 14MPHR-G15075 | 14MPHR-R15075 |
| 1 1/2" | 1" | 1.687 | 1.000 | 14MPHR-G150100 | 14MPHR-R150100 |
| 1 1/2" | 1 1/4" | 1.689 | 1.250 | --- | 14MPHR-R150-125 |
| 1 1/2" | 1 1/2" | 1.687 | 1.500 | 14MPHR-G150 | 14MPHR-R150 |
| 2" | 1 1/2" | 2.312 | 1.500 | 14MPHR-G200150 | 14MPHR-R200150 |
| 2" | 2" | 2.312 | 2.000 | 14MPHR-G200 | 14MPHR-R200 |
| 2 1/2" | 2 1/2" | 2.344 | 2.500 | 14MPHR-G250 | 14MPHR-R250 |
| 3" | 3" | 3.094 | 3.000 | 14MPHR-G300 | 14MPHR-R300 |
| 4" | 4" | 3.406 | 4.000 | 14MPHR-G400 | 14MPHR-R400 |
| 6" | 6" | 3.406 | 6.000 | 14MPHR-G600 | 14MPHR-R600 |
| 8" | 8" | 3.406 | 8.000 | 14MPHR-G800 | 14MPHR-R800 |

Brewery Hose Barb Adapters - 14MPHRL



Feature:

- suitable for use with band clamps

| Size | A | B | 304 Stainless Steel Part Number |
|--------|-------|-------|---------------------------------|
| 1" | 3.500 | 1.045 | 14MPHRL100 |
| 1 1/2" | 5.000 | 1.545 | 14MPHRL150 |
| 2" | 5.000 | 2.045 | 14MPHRL200 |
| 2 1/2" | 5.500 | 2.545 | 14MPHRL250 |
| 3" | 5.500 | 3.045 | 14MPHRL300 |
| 4" | 5.500 | 4.045 | 14MPHRL400 |

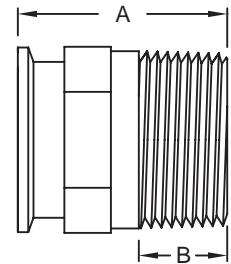


Use of PVC tubing requires special techniques to prevent leakage. All assembly work must be done with heated tube. Cold durometer is 90 as opposed to rubber hose at 65 to 70 durometer. Banding buckles must be at 180° from

Clamp Adapters

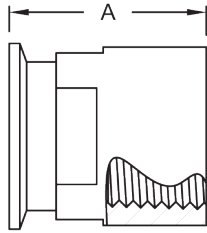
Male NPT Adapters - 21MP

| Tube OD | NPT Size | A | B | 304 Stainless Steel Part Number | 316L Stainless Steel Part Number |
|---------|----------|-------|-------|---------------------------------|----------------------------------|
| 1/2" | 1/8" | 2.000 | .392 | --- | 21MP-R50125 |
| 1/2" | 1/4" | 2.000 | .595 | --- | 21MP-R5025 |
| 1/2" | 3/8" | 2.000 | .600 | --- | 21MP-R50375 |
| 1/2" | 1/2" | 1.625 | .782 | --- | 21MP-R50 |
| 1/2" | 3/4" | 2.000 | .794 | --- | 21MP-R5075 |
| 3/4" | 1/4" | 2.000 | .595 | --- | 21MP-R7525 |
| 3/4" | 3/8" | 2.000 | .600 | --- | 21MP-R75375 |
| 3/4" | 1/2" | 2.000 | .782 | --- | 21MP-R7550 |
| 3/4" | 3/4" | 1.787 | .794 | --- | 21MP-R75 |
| 3/4" | 1" | 2.250 | .985 | --- | 21MP-R75100 |
| 1" | 1/8" | 2.187 | .392 | 21MP-G100-125 | 21MP-R100-125 |
| 1" | 1/4" | 2.161 | .595 | 21MP-G10025 | 21MP-R10025 |
| 1" | 3/8" | 2.187 | .600 | 21MP-G100375 | 21MP-R100375 |
| 1" | 1/2" | 2.187 | .782 | 21MP-G10050 | 21MP-R10050 |
| 1" | 3/4" | 2.187 | .794 | 21MP-G10075 | 21MP-R10075 |
| 1" | 1" | 2.250 | .985 | 21MP-G100 | 21MP-R100 |
| 1" | 1 1/4" | 2.438 | 1.009 | 21MP-G100125 | 21MP-R100125 |
| 1" | 1 1/2" | 2.438 | 1.025 | 21MP-G100150 | 21MP-R100150 |
| 1" | 2" | 2.625 | 1.058 | 21MP-G100200 | 21MP-R100200 |
| 1 1/2" | 1/8" | 2.187 | .392 | --- | 21MP-R150-125 |
| 1 1/2" | 1/4" | 2.161 | .595 | 21MP-G15025 | 21MP-R15025 |
| 1 1/2" | 3/8" | 2.187 | .600 | 21MP-G150375 | 21MP-R150375 |
| 1 1/2" | 1/2" | 2.187 | .782 | 21MP-G15050 | 21MP-R15050 |
| 1 1/2" | 3/4" | 2.187 | .794 | 21MP-G15075 | 21MP-R15075 |
| 1 1/2" | 1" | 2.437 | .985 | 21MP-G150100 | 21MP-R150100 |
| 1 1/2" | 1 1/4" | 2.438 | 1.009 | 21MP-G150125 | 21MP-R150125 |
| 1 1/2" | 1 1/2" | 2.250 | 1.025 | 21MP-G150 | 21MP-R150 |
| 1 1/2" | 2" | 2.625 | 1.058 | 21MP-G150200 | 21MP-R150200 |
| 1 1/2" | 2 1/2" | 3.281 | 1.571 | 21MP-G150250 | 21MP-R150250 |
| 2" | 1/4" | 2.469 | 1.009 | 21MP-G200125 | 21MP-R200125 |
| 2" | 1/2" | 2.188 | .782 | 21MP-G20050 | 21MP-R20050 |
| 2" | 3/4" | 2.188 | .794 | 21MP-G20075 | 21MP-R20075 |
| 2" | 1" | 2.469 | .985 | 21MP-G200100 | 21MP-R200100 |
| 2" | 1 1/2" | 2.625 | 1.009 | 21MP-G200150 | 21MP-R200150 |
| 2" | 2" | 2.638 | 1.058 | 21MP-G200 | 21MP-R200 |
| 2" | 2 1/2" | 3.125 | 1.571 | 21MP-G200250 | 21MP-R200250 |
| 2" | 3" | 3.500 | 1.634 | 21MP-G200300 | 21MP-R200300 |
| 2" | 4" | 3.500 | 1.734 | 21MP-G200400 | 21MP-R200400 |
| 2 1/2" | 1/2" | 2.781 | .782 | 21MP-G25050 | --- |
| 2 1/2" | 1" | 2.781 | .782 | 21MP-G250100 | 21MP-R250100 |
| 2 1/2" | 1 1/2" | 2.781 | 1.025 | 21MP-G250150 | 21MP-R250150 |
| 2 1/2" | 2" | 2.781 | 1.058 | 21MP-G250200 | 21MP-R250200 |
| 2 1/2" | 2 1/2" | 2.875 | 1.571 | 21MP-G250 | 21MP-R250 |
| 2 1/2" | 3" | 3.690 | 1.634 | 21MP-G250300 | 21MP-R250300 |
| 3" | 1" | 3.000 | .985 | 21MP-G300100 | 21MP-R300100 |
| 3" | 1 1/2" | 3.000 | 1.009 | 21MP-G300150 | 21MP-R300150 |
| 3" | 2" | 3.000 | 1.058 | 21MP-G300200 | 21MP-R300200 |
| 3" | 2 1/2" | 3.000 | 1.571 | 21MP-G300250 | 21MP-R300250 |
| 3" | 3" | 3.070 | 1.634 | 21MP-G300 | 21MP-R300 |
| 3" | 4" | 3.500 | 1.734 | 21MP-G300400 | 21MP-R300400 |
| 4" | 3" | 3.813 | 1.634 | 21MP-G400300 | 21MP-R400300 |
| 4" | 4" | 3.155 | 1.734 | 21MP-G400 | 21MP-R400 |



Clamp Adapters

Female NPT Adapters - 22MP

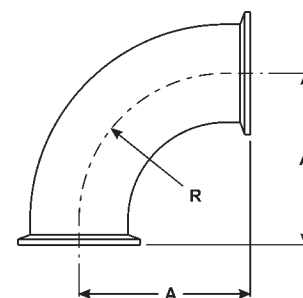


| Tube OD | NPT Size | A | 304 Stainless Steel Part Number | 316L Stainless Steel Part Number |
|---------|----------|-------|---------------------------------|----------------------------------|
| 1/2" | 1/8" | 1.250 | --- | 22MP-R50-125 |
| 1/2" | 1/4" | 1.500 | --- | 22MP-R5025 |
| 1/2" | 3/8" | 1.500 | --- | 22MP-R50375 |
| 1/2" | 1/2" | 1.500 | --- | 22MP-R50 |
| 1/2" | 3/4" | 1.500 | --- | 22MP-R5075 |
| 1/2" | 1" | 1.625 | --- | 22MP-R50100 |
| 1/2" | 1 1/2" | 2.250 | --- | 22MP-R50150 |
| 1/2" | 2" | 2.250 | --- | 22MP-R50200 |
| 3/4" | 1/8" | 1.250 | --- | 22MP-R75125 |
| 3/4" | 1/4" | 1.500 | --- | 22MP-R7525 |
| 3/4" | 3/8" | 1.500 | --- | 22MP-R75375 |
| 3/4" | 1/2" | 1.625 | --- | 22MP-R7550 |
| 3/4" | 3/4" | 1.625 | --- | 22MP-R75 |
| 3/4" | 1" | 1.625 | --- | 22MP-R75100 |
| 1" | 1/8" | 3.281 | 22MP-G100-125 | 22MP-R100-125 |
| 1" | 1/4" | 1.625 | 22MP-G10025 | 22MP-R10025 |
| 1" | 3/8" | 1.625 | 22MP-G100375 | 22MP-R100375 |
| 1" | 1/2" | 1.625 | 22MP-G10050 | 22MP-R10050 |
| 1" | 3/4" | 1.625 | 22MP-G10075 | 22MP-R10075 |
| 1" | 1" | 1.625 | 22MP-G100 | 22MP-R100 |
| 1" | 1 1/4" | 1.625 | 22MP-G100125 | 22MP-R100125 |
| 1" | 1 1/2" | 1.625 | 22MP-G100150 | 22MP-R100150 |
| 1" | 2" | 2.500 | 22MP-G100200 | 22MP-R100200 |
| 1 1/2" | 1/8" | 2.500 | 22MP-G150-125 | 22MP-R150-125 |
| 1 1/2" | 1/4" | 1.625 | 22MP-G15025 | 22MP-R15025 |
| 1 1/2" | 3/8" | 1.625 | 22MP-G150375 | 22MP-R150375 |
| 1 1/2" | 1/2" | 1.625 | 22MP-G15050 | 22MP-R15050 |
| 1 1/2" | 3/4" | 1.625 | 22MP-G15075 | 22MP-R15075 |
| 1 1/2" | 1" | 2.250 | 22MP-G150100 | 22MP-R150100 |
| 1 1/2" | 1 1/4" | 2.250 | 22MP-G150125 | 22MP-R150125 |
| 1 1/2" | 1 1/2" | 2.250 | 22MP-G150 | 22MP-R150 |
| 1 1/2" | 2" | 2.500 | 22MP-G150200 | 22MP-R150200 |
| 1 1/2" | 2 1/2" | 2.500 | 22MP-G150250 | --- |
| 1 1/2" | 3" | 2.500 | --- | 22MP-R150300 |
| 2" | 1/4" | 1.687 | 22MP-G20025 | 22MP-R20025 |
| 2" | 1/2" | 1.687 | 22MP-G20050 | 22MP-R20050 |
| 2" | 3/4" | 1.687 | 22MP-G20075 | 22MP-R20075 |
| 2" | 1" | 1.687 | 22MP-G200100 | 22MP-R200100 |
| 2" | 1 1/4" | 1.656 | 22MP-G200125 | 22MP-R200125 |
| 2" | 1 1/2" | 2.344 | 22MP-G200150 | 22MP-R200150 |
| 2" | 2" | 2.406 | 22MP-G200 | 22MP-R200 |
| 2" | 2 1/2" | 2.406 | 22MP-G200250 | 22MP-R200250 |
| 2" | 3" | 2.406 | 22MP-G200300 | 22MP-R200300 |
| 2" | 4" | 2.406 | 22MP-G200400 | --- |
| 2 1/2" | 3/4" | 1.313 | 22MP-G25075 | 22MP-R25075 |
| 2 1/2" | 1" | 1.313 | 22MP-G250100 | 22MP-R250100 |
| 2 1/2" | 1 1/2" | 1.656 | 22MP-G250150 | 22MP-R250150 |
| 2 1/2" | 2" | 2.093 | 22MP-G250200 | 22MP-R250200 |
| 2 1/2" | 2 1/2" | 2.187 | 22MP-G250 | 22MP-R250 |
| 2 1/2" | 3" | 2.187 | 22MP-G250300 | 22MP-R250300 |
| 3" | 1" | 2.187 | 22MP-G300100 | 22MP-R300100 |
| 3" | 1 1/2" | 2.187 | 22MP-G300150 | 22MP-R300150 |
| 3" | 2" | 2.187 | 22MP-G300200 | 22MP-R300200 |
| 3" | 2 1/2" | 2.187 | 22MP-G300250 | --- |
| 3" | 3" | 2.187 | 22MP-G300 | 22MP-R300 |
| 4" | 1 1/2" | 2.187 | 22MP-G400150 | 22MP-R400150 |
| 4" | 2" | 2.187 | 22MP-G400200 | 22MP-R400200 |
| 4" | 2 1/2" | 2.187 | 22MP-G400250 | 22MP-R400250 |
| 4" | 3" | 2.187 | 22MP-G400300 | 22MP-R400300 |
| 4" | 4" | 2.625 | 22MP-G400 | 22MP-R400 |

Clamp Elbows

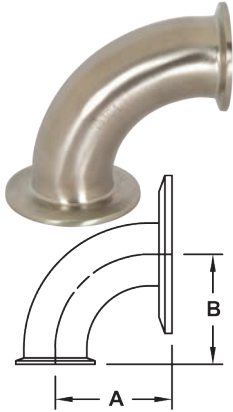
90° Clamp Elbows - B2CMP 

| Tube OD | A | R | 304 Stainless Steel Part Number | 316L Stainless Steel Part Number |
|---------|--------|--------|---------------------------------|----------------------------------|
| ½" | 1.625 | 1.125 | --- | B2CMP-R50 |
| ¾" | 1.625 | 1.125 | --- | B2CMP-R75 |
| ½" | 3.500 | 1.125 | --- | B2CMPL-R50 |
| ¾" | 3.500 | 1.125 | --- | B2CMPL-R75 |
| 1" | 2.000 | 1.500 | B2CMP-G100 | B2CMP-R100 |
| 1½" | 2.750 | 2.250 | B2CMP-G150 | B2CMP-R150 |
| 2" | 3.500 | 3.000 | B2CMP-G200 | B2CMP-R200 |
| 2½" | 4.250 | 3.750 | B2CMP-G250 | B2CMP-R250 |
| 3" | 5.000 | 4.500 | B2CMP-G300 | B2CMP-R300 |
| 4" | 6.625 | 6.000 | B2CMP-G400 | B2CMP-R400 |
| 6" | 9.875 | 9.000 | B2CMP-G600 | B2CMP-R600 |
| 8" | 12.875 | 12.000 | B2CMP-G800 | B2CMP-R800 |
| 10" | 15.875 | 15.000 | B2CMP-G1000 | --- |
| 12" | 18.875 | 18.000 | B2CMP-G1200 | --- |



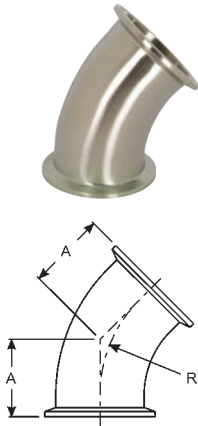
Clamp Elbows

3 90° Non-Tapered Reducing Clamp Elbows - B2CM31MP



| Tube OD | A | B | 304 Stainless Steel Part Number | 316L Stainless Steel Part Number |
|----------|-------|-------|---------------------------------|----------------------------------|
| 2" x 1½" | 2.750 | 2.750 | B2CM31MPG200150 | B2CM31MPR200150 |
| 2½" x 2" | 3.500 | 3.500 | B2CM31MPG250200 | B2CM31MPR250200 |
| 3" x 2" | 3.500 | 3.500 | B2CM31MPG300200 | B2CM31MPR300200 |
| 3" x 2½" | 4.250 | 4.250 | B2CM31MPG300250 | B2CM31MPR300250 |

3 45° Clamp Elbows - B2KMP



| Tube OD | A | R | 304 Stainless Steel Part Number | 316L Stainless Steel Part Number |
|---------|-------|--------|---------------------------------|----------------------------------|
| ½" | .966 | 1.125 | --- | B2KMP-R50 |
| ¾" | .966 | 1.125 | --- | B2KMP-R75 |
| 1" | 1.125 | 1.500 | B2KMP-G100 | B2KMP-R100 |
| 1½" | 1.437 | 2.250 | B2KMP-G150 | B2KMP-R150 |
| 2" | 1.750 | 3.000 | B2KMP-G200 | B2KMP-R200 |
| 2½" | 2.062 | 3.750 | B2KMP-G250 | B2KMP-R250 |
| 3" | 2.375 | 4.500 | B2KMP-G300 | B2KMP-R300 |
| 4" | 3.125 | 6.000 | B2KMP-G400 | B2KMP-R400 |
| 6" | 4.625 | 9.000 | B2KMP-G600 | B2KMP-R600 |
| 8" | 5.875 | 12.000 | B2KMP-G800 | B2KMP-R800 |
| 10" | 7.125 | 15.000 | B2KMP-G1000 | --- |
| 12" | 8.375 | 18.000 | B2KMP-G1200 | --- |

3 90° Clamp by Plain Bevel Seat with Hex Nut Elbows - B2FMP-14



| Tube OD | A | B | 304 Stainless Steel Part Number |
|---------|-------|-------|---------------------------------|
| 1" | 2.218 | 2.000 | B2FMP-14-G100 |
| 1½" | 2.968 | 2.750 | B2FMP-14-G150 |
| 2" | 3.750 | 3.500 | B2FMP-14-G200 |
| 2½" | 4.625 | 4.250 | B2FMP-14-G250 |
| 3" | 5.406 | 5.000 | B2FMP-14-G300 |
| 4" | 7.031 | 6.625 | B2FMP-14-G400 |

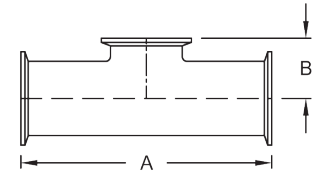
Other types of elbows available call Dixon Sanitary for information



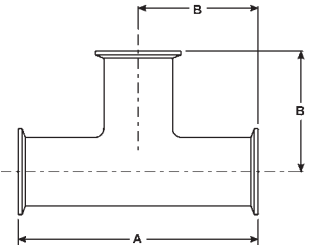
Clamp Tees

Short Outlet Tees - B7MPS 

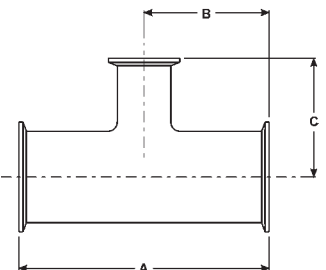
| Tube OD | A | B | 304 Stainless Steel Part Number | 316L Stainless Steel Part Number |
|---------|-------|-------|---------------------------------|----------------------------------|
| 1" | 4.750 | 1.125 | B7MPS-G100 | B7MPS-R100 |
| 1½" | 5.500 | 1.375 | B7MPS-G150 | B7MPS-R150 |
| 2" | 7.000 | 1.625 | B7MPS-G200 | B7MPS-R200 |
| 2½" | 7.000 | 1.875 | B7MPS-G250 | B7MPS-R250 |
| 3" | 7.500 | 2.125 | B7MPS-G300 | B7MPS-R300 |
| 4" | 9.000 | 2.750 | B7MPS-G400 | B7MPS-R400 |

Clamp Tees - B7MP 

| Tube OD | A | B | 304 Stainless Steel Part Number | 316L Stainless Steel Part Number |
|---------|--------|--------|---------------------------------|----------------------------------|
| ½" | 4.750 | 2.375 | --- | B7MP-R50 |
| ¾" | 5.000 | 2.500 | --- | B7MP-R75 |
| 1" | 4.750 | 2.375 | B7MP-G100 | B7MP-R100 |
| 1½" | 5.500 | 2.750 | B7MP-G150 | B7MP-R150 |
| 2" | 7.000 | 3.500 | B7MP-G200 | B7MP-R200 |
| 2½" | 7.000 | 3.500 | B7MP-G250 | B7MP-R250 |
| 3" | 7.500 | 3.750 | B7MP-G300 | B7MP-R300 |
| 4" | 9.000 | 4.500 | B7MP-G400 | B7MP-R400 |
| 6" | 13.000 | 6.500 | B7MP-G600 | B7MP-R600 |
| 8" | 15.750 | 7.875 | B7MP-G800 | B7MP-R800 |
| 10" | 18.750 | 9.735 | B7MP-G1000 | --- |
| 12" | 21.750 | 10.735 | B7MP-G1200 | --- |

Clamp Reducing Tees - B7RMP 

| Tube OD | A | B | C | 304 Stainless Steel Part Number | 316L Stainless Steel Part Number |
|-----------|-------|-------|-------|---------------------------------|----------------------------------|
| ¾" x ½" | 5.000 | 2.500 | 2.500 | --- | B7RMP-R7550 |
| 1" x ½" | 5.250 | 2.625 | 2.625 | --- | B7RMP-R10050 |
| 1" x ¾" | 5.250 | 2.625 | 2.625 | --- | B7RMP-R10075 |
| 1½" x ½" | 5.750 | 2.875 | 2.875 | --- | B7RMP-R15050 |
| 1½" x ¾" | 5.250 | 2.875 | 2.875 | --- | B7RMP-R15075 |
| 1½" x 1" | 4.312 | 2.156 | 1.875 | B7RMP-G150100 | B7RMP-R150100 |
| 2" x ½" | 6.750 | 3.375 | 3.125 | --- | B7RMP-R20050 |
| 2" x ¾" | 6.750 | 3.375 | 3.125 | --- | B7RMP-R20075 |
| 2" x 1" | 5.125 | 2.562 | 2.125 | B7RMP-G200100 | B7RMP-R200100 |
| 2" x 1½" | 5.125 | 2.562 | 2.406 | B7RMP-G200150 | B7RMP-R200150 |
| 2½" x 1½" | 5.688 | 2.844 | 2.656 | B7RMP-G250150 | B7RMP-R250150 |
| 2½" x 2" | 5.688 | 2.844 | 2.812 | B7RMP-G250200 | B7RMP-R250200 |
| 3" x 1½" | 6.188 | 3.093 | 2.906 | B7RMP-G300150 | B7RMP-R300150 |
| 3" x 2" | 6.188 | 3.093 | 3.063 | B7RMP-G300200 | B7RMP-R300200 |
| 3" x 2½" | 6.188 | 3.093 | 3.093 | B7RMP-G300250 | B7RMP-R300250 |
| 4" x 1½" | 8.125 | 4.063 | 3.406 | B7RMP-G400150 | B7RMP-R400150 |
| 4" x 2" | 8.125 | 4.063 | 3.563 | B7RMP-G400200 | B7RMP-R400200 |
| 4" x 2½" | 8.125 | 4.063 | 3.594 | B7RMP-G400250 | B7RMP-R400250 |
| 4" x 3" | 8.125 | 4.063 | 3.594 | B7RMP-G400300 | B7RMP-R400300 |

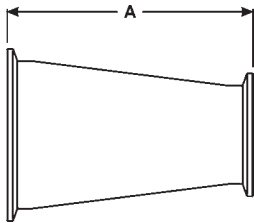


Other types of tees available call Dixon Sanitary for information



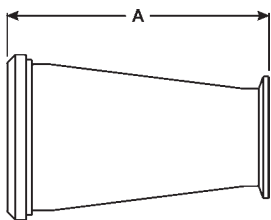
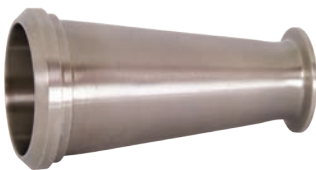
Clamp Reducers

3 Clamp Concentric Reducers - B3114MP



| Tube OD | A | 304 Stainless Steel Part Number | 316L Stainless Steel Part Number |
|-----------|--------|---------------------------------|----------------------------------|
| ¾" x ½" | 2.000 | --- | B3114MP-R7550 |
| 1" x ½" | 3.000 | --- | B3114MP-R10050 |
| 1" x ¾" | 2.000 | --- | B3114MP-R10075 |
| 1½" x ½" | 5.000 | --- | B3114MP-R15050 |
| 1½" x ¾" | 4.000 | --- | B3114MP-R15075 |
| 1½" x 1" | 3.000 | B3114MP-G150100 | B3114MP-R150100 |
| 2" x ½" | 7.000 | --- | B3114MP-R20050 |
| 2" x ¾" | 6.000 | --- | B3114MP-R20075 |
| 2" x 1" | 5.000 | B3114MP-G200100 | B3114MP-R200100 |
| 2" x 1½" | 3.000 | B3114MP-G200150 | B3114MP-R200150 |
| 2½" x 1½" | 5.000 | B3114MP-G250150 | B3114MP-R250150 |
| 2½" x 2" | 3.000 | B3114MP-G250200 | B3114MP-R250200 |
| 3" x 1" | 9.000 | B3114MP-G300100 | B3114MP-R300100 |
| 3" x 1½" | 7.000 | B3114MP-G300150 | B3114MP-R300150 |
| 3" x 2" | 5.000 | B3114MP-G300200 | B3114MP-R300200 |
| 3" x 2½" | 3.000 | B3114MP-G300250 | B3114MP-R300250 |
| 4" x 1½" | 11.125 | B3114MP-G400150 | B3114MP-R400150 |
| 4" x 2" | 9.125 | B3114MP-G400200 | B3114MP-R400200 |
| 4" x 2½" | 7.125 | B3114MP-G400250 | B3114MP-R400250 |
| 4" x 3" | 5.125 | B3114MP-G400300 | B3114MP-R400300 |
| 6" x 2" | 6.875 | B3114MP-G600200 | B3114MP-R600200 |
| 6" x 3" | 6.875 | B3114MP-G600300 | B3114MP-R600300 |
| 6" x 4" | 7.000 | B3114MP-G600400 | B3114MP-R600400 |
| 8" x 4" | 7.500 | B3114MP-G800400 | B3114MP-R800400 |
| 8" x 6" | 7.750 | B3114MP-G800600 | B3114MP-R800600 |

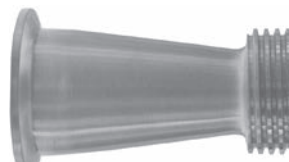
3 Plain Bevel Seat x Clamp Concentric Reducers - B14C31



| Tube OD | A | 304 Stainless Steel Part Number |
|-----------|-------|------------------------------------|
| 1½" x 1" | 3.218 | B14C31-G150100 ¹ |
| 2" x 1½" | 3.250 | B14C31-G200150 |
| 2½" x 1½" | 5.375 | B14C31-G250150 |
| 2½" x 2" | 3.375 | B14C31-G250200 |
| 3" x 1½" | 7.406 | B14C31-G300150 |
| 3" x 2" | 5.406 | B14C31-G300200 |
| 3" x 2½" | 3.406 | B14C31-G300250 |

¹ comes with 13H-G150, hex nut cannot be assembled on fitting after welding

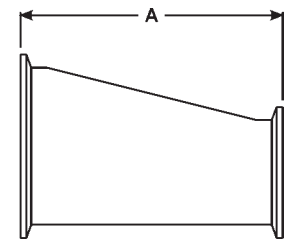
Other types of concentric reducers available call Dixon Sanitary for information



Clamp Reducers

Clamp Eccentric Reducers - B3214MP 

| Tube OD | A | 304 Stainless Steel Part Number | 316L Stainless Steel Part Number |
|-----------------|--------|---------------------------------|----------------------------------|
| 3/4" x 1/2" | 2.000 | --- | B3214MP-R7550 |
| 1" x 1/2" | 3.000 | --- | B3214MP-R10050 |
| 1" x 3/4" | 2.000 | --- | B3214MP-R10075 |
| 1 1/2" x 1/2" | 5.000 | --- | B3214MP-R15050 |
| 1 1/2" x 3/4" | 4.000 | --- | B3214MP-R15075 |
| 1 1/2" x 1" | 3.000 | B3214MP-G150100 | B3214MP-R150100 |
| 2" x 1/2" | 7.000 | --- | B3214MP-R20050 |
| 2" X 3/4" | 6.000 | --- | B3214MP-R20075 |
| 2" x 1" | 5.000 | B3214MP-G200100 | B3214MP-R200100 |
| 2" x 1 1/2" | 3.000 | B3214MP-G200150 | B3214MP-R200150 |
| 2 1/2" x 1 1/2" | 5.000 | B3214MP-G250150 | B3214MP-R250150 |
| 2 1/2" x 2" | 3.000 | B3214MP-G250200 | B3214MP-R250200 |
| 3" x 1" | 9.000 | B3214MP-G300100 | B3214MP-R300100 |
| 3" x 1 1/2" | 7.000 | B3214MP-G300150 | B3214MP-R300150 |
| 3" x 2" | 5.000 | B3214MP-G300200 | B3214MP-R300200 |
| 3" x 2 1/2" | 3.000 | B3214MP-G300250 | B3214MP-R300250 |
| 4" x 1 1/2" | 11.125 | B3214MP-G400150 | B3214MP-R400150 |
| 4" x 2" | 9.125 | B3214MP-G400200 | B3214MP-R400200 |
| 4" x 2 1/2" | 7.125 | B3214MP-G400250 | B3214MP-R400250 |
| 4" x 3" | 5.125 | B3214MP-G400300 | B3214MP-R400300 |
| 6" x 3" | 6.875 | B3214MP-G600300 | B3214MP-R600300 |
| 6" x 4" | 7.000 | B3214MP-G600400 | B3214MP-R600400 |
| 8" x 4" | 7.500 | B3214MP-G800400 | B3214MP-R800400 |
| 8" x 6" | 7.750 | B3214MP-G800600 | B3214MP-R800600 |



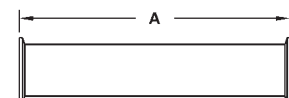
Other types of eccentric reducers available call Dixon Sanitary for information



Miscellaneous Clamp Configurations

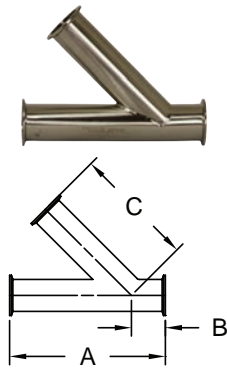
Spool Assembly - SPOOL

| Tube OD | A (minimum length) | 304 Stainless Steel Part Number | 316L Stainless Steel Part Number |
|---------|--------------------|---------------------------------|----------------------------------|
| 1/2" | 2.25 | SPOOL *-G050 | SPOOL *-R050 |
| 3/4" | 2.25 | SPOOL *-G075 | SPOOL *-R075 |
| 1" | 2.25 | SPOOL *-G100 | SPOOL *-R100 |
| 1 1/2" | 2.25 | SPOOL *-G150 | SPOOL *-R150 |
| 2" | 2.25 | SPOOL *-G200 | SPOOL *-R200 |
| 2 1/2" | 2.25 | SPOOL *-G250 | SPOOL *-R250 |
| 3" | 2.25 | SPOOL *-G300 | SPOOL *-R300 |
| 4" | 2.25 | SPOOL *-G400 | SPOOL *-R400 |
| 6" | 3.00 | SPOOL *-G600 | SPOOL *-R600 |



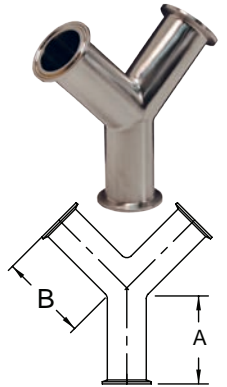
Miscellaneous Clamp Configurations

3 Clamp Laterals - B28AMP



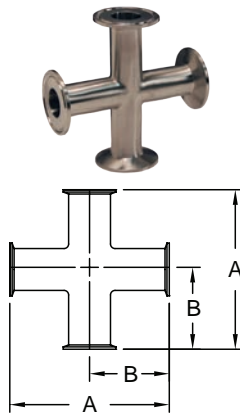
| Tube OD | A | B | C | 316L Stainless Steel Part Number |
|---------|--------|-------|--------|----------------------------------|
| 1" | 7.000 | 1.500 | 5.500 | B28AMP-R100 |
| 1½" | 8.375 | 1.688 | 6.688 | B28AMP-R150 |
| 2" | 9.750 | 2.125 | 7.625 | B28AMP-R200 |
| 2½" | 11.000 | 2.000 | 9.000 | B28AMP-R250 |
| 3" | 11.750 | 2.375 | 9.375 | B28AMP-R300 |
| 4" | 14.062 | 2.640 | 11.312 | B28AMP-R400 |

3 Clamp True Wyes - B28BMP



| Tube OD | A | B | 316L Stainless Steel Part Number |
|---------|-------|-------|----------------------------------|
| 1" | 2.500 | 2.938 | B28BMP-R100 |
| 1½" | 2.500 | 2.938 | B28BMP-R150 |
| 2" | 3.125 | 3.750 | B28BMP-R200 |
| 2½" | 3.870 | 4.625 | B28BMP-R250 |
| 3" | 4.500 | 5.375 | B28BMP-R300 |
| 4" | 6.000 | 6.000 | B28BMP-R400 |

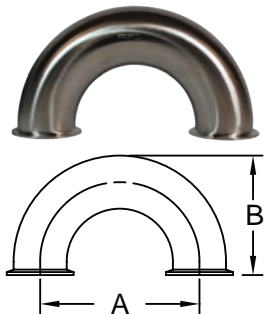
3 Clamp Crosses - B9MP



| Tube OD | A | B | 304 Stainless Steel Part Number | 316L Stainless Steel Part Number |
|---------|-------|-------|---------------------------------|----------------------------------|
| 1" | 4.750 | 2.375 | B9MP-G100 | B9MP-R100 |
| 1½" | 5.500 | 2.750 | B9MP-G150 | B9MP-R150 |
| 2" | 7.000 | 3.500 | B9MP-G200 | B9MP-R200 |
| 2½" | 7.000 | 3.500 | B9MP-G250 | B9MP-R250 |
| 3" | 7.500 | 3.750 | B9MP-G300 | B9MP-R300 |
| 4" | 9.000 | 4.500 | B9MP-G400 | B9MP-R400 |

3 Clamp 180° Return Bends - B2WUMP

- bends are 1.5 x tube diameter



| Tube OD | A | B | 316L Stainless Steel Part Number |
|---------|--------|-------|----------------------------------|
| 1" | 3.000 | 2.500 | B2WUMP-R100 |
| 1½" | 4.500 | 3.500 | B2WUMP-R150 |
| 2" | 6.000 | 4.500 | B2WUMP-R200 |
| 2½" | 7.500 | 5.500 | B2WUMP-R250 |
| 3" | 9.000 | 6.500 | B2WUMP-R300 |
| 4" | 12.000 | 8.625 | B2WUMP-R400 |

Clamp End Protection Covers - BCC

Features:

- Use these covers to protect all clamp ends on fittings, valves, filters and pumps.
- vinyl plastic

| Size | Part Number |
|------|----------------|
| ½" | BCC-050 |
| ¾" | BCC-075 |
| 1" | BCC-100 |
| 1½" | BCC-150 |
| 2" | BCC-200 |
| 2½" | BCC-250 |
| 3" | BCC-300 |
| 4" | BCC-400 |



Sanitary Breakaway Clamp Version

**Applications:**

- Minimizes spillage and damage associated with pull away and drive away incidents

Features:

- designed to be installed between a fixed point and a hose
- coupling breaks away with an excessive load
- EPDM standard clamp gasket, optional material available
- working pressure: 350 PSI @ 70°F
- 13kN break load bolts standard, other break loads available
- 316 stainless steel polished to standard <math><32R_a</math>, 3A finish



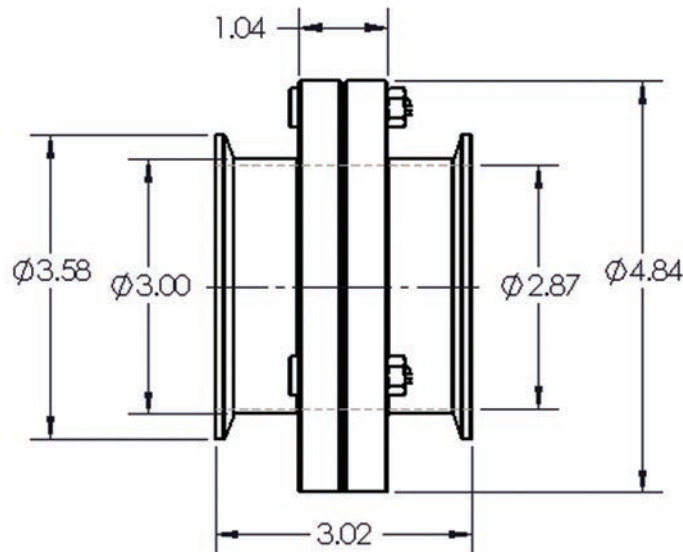
Clamp End

Part Number

SBC-E300CC13


- Other sizes and connections available

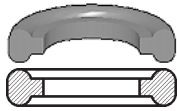
Dimensions



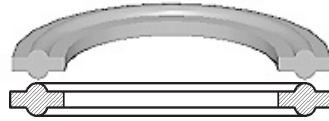
Clamp Gaskets

Feature:

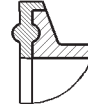
- Gasket material approved by  (3A), USDA and complies with FDA's 21CFR177.2600 and 1550. PSI Service Ratings for the sanitary clamps *DO NOT APPLY* to connections (1" and above) using any PTFE gaskets, due to the potential for cold flow under normal operating conditions. PTFE gaskets, when used with any clamp, are likely to leak at pressures far below the published service ratings. This restriction *does not apply* to the fractionally sized ½" and ¾" connections, due to their recessed, fully contained design.



Mini



Standard - type 1



Flanged - type 2

Buna-N Clamp Gaskets - Black

Type 1 - Standard
½" - ¾"Type 1 - Standard
1" and larger

Features:

- color code: red dot
- meets 21CFR 177.2600

| Size | Part Number |
|------|------------------|
| ½" | 42MP-U50 |
| ¾" | 42MP-U75 |
| 1" | 40MP-U100 |
| 1½" | 40MP-U150 |
| 2" | 40MP-U200 |
| 2½" | 40MP-U250 |
| 3" | 40MP-U300 |
| 4" | 40MP-U400 |
| 5" | 40MP-U500 |
| 6" | 40MP-U600 |
| 8" | 40MP-U800 |

Buna-N Clamp Gaskets - White

Type 1 - Standard
½" - ¾"Type 1 - Standard
1" and larger

Features:

- color code: red dot
- meets 21CFR 177.2600

| Size | Part Number |
|------|-------------------|
| ½" | 42MP-UW50 |
| ¾" | 42MP-UW75 |
| 1" | 40MP-UW100 |
| 1½" | 40MP-UW150 |
| 2" | 40MP-UW200 |
| 2½" | 40MP-UW250 |
| 3" | 40MP-UW300 |
| 4" | 40MP-UW400 |
| 6" | 40MP-UW600 |

EPDM Clamp Gaskets - Black

Type 1 - Standard
½" - ¾"Type 1 - Standard
1" and larger

Features:

- color code: three green dots
- peroxide cured
- meets 21CFR 177.2600
- passed U.S.P. Class VI Cytotoxicity testing

| Size | Part Number |
|------|------------------|
| ½" | 42MP-E50 |
| ¾" | 42MP-E75 |
| 1" | 40MP-E100 |
| 1½" | 40MP-E150 |
| 2" | 40MP-E200 |
| 2½" | 40MP-E250 |
| 3" | 40MP-E300 |
| 4" | 40MP-E400 |
| 5" | 40MP-E500 |
| 6" | 40MP-E600 |

Clamp Gaskets

FKM Clamp Gaskets - *Black*

| Size | Part Number |
|--------|--------------------|
| 1/2" | 42MP-SFY50 |
| 3/4" | 42MP-SFY75 |
| 1" | 40MP-SFY100 |
| 1 1/2" | 40MP-SFY150 |
| 2" | 40MP-SFY200 |
| 2 1/2" | 40MP-SFY250 |
| 3" | 40MP-SFY300 |
| 4" | 40MP-SFY400 |
| 6" | 40MP-SFY600 |

Type 1 - Standard
1/2" - 3/4"Type 1 - Standard
1" and larger**Features:**

- color code: one white dot and one yellow dot
- peroxide cured
- meets 21CFR 177.2600
- passed U.S.P. Class VI Cytotoxicity testing

Silicone Clamp Gaskets - *White*

| Size | Part Number |
|--------|-------------------|
| 1/2" | 42MP-XW50 |
| 3/4" | 42MP-XW75 |
| 1" | 40MP-XW100 |
| 1 1/2" | 40MP-XW150 |
| 2" | 40MP-XW200 |
| 2 1/2" | 40MP-XW250 |
| 3" | 40MP-XW300 |
| 4" | 40MP-XW400 |
| 6" | 40MP-XW600 |

Type 1 - Standard
1/2" - 3/4"Type 1 - Standard
1" and larger**Features:**

- color code: pink dot
- peroxide cured
- meets 21CFR 177.2600
- passed U.S.P. Class VI Cytotoxicity testing

Silicone Clamp Gaskets - *Clear*

| Size | Part Number |
|--------|-------------------|
| 1/2" | 42MP-XC50 |
| 3/4" | 42MP-XC75 |
| 1" | 40MP-XC100 |
| 1 1/2" | 40MP-XC150 |
| 2" | 40MP-XC200 |
| 2 1/2" | 40MP-XC250 |
| 3" | 40MP-XC300 |
| 4" | 40MP-XC400 |

Type 1 - Standard
1/2" - 3/4"Type 1 - Standard
1" and larger**Features:**

- color code: no dot
- peroxide cured
- meets 21CFR 177.2600

PTFE Clamp Gaskets - *White*

| Size | Part Number |
|--------|-------------------|
| 1/2" | 42MP-G50 |
| 3/4" | 42MP-G75 |
| 1" | 40MP-G100 |
| 1 1/2" | 40MP-G150 |
| 2" | 40MP-G200 |
| 2 1/2" | 40MP-G250 |
| 3" | 40MP-G300 |
| 4" | 40MP-G400 |
| 5" | 40MP-G500 |
| 6" | 40MP-G600 |
| 8" | 40MP-G800 |
| 10" | 40MP-G1000 |
| 12" | 40MP-G1200 |

Type 1 - Standard
1/2" - 3/4"Type 1 - Standard
1" and larger**Features:**

- color code: no dot
- meets 21CFR 177.1550
- passed U.S.P. Class VI Cytotoxicity testing
- not recommended for use with bolted clamps



PTFE is a material subject to plastic flow. When cycled through heat and then cooled down in process lines, PTFE gaskets will not return to the original configuration and it will continue to compress as the cycling continues. This plastic flow will allow leakage if clamp torques are not maintained.

Clamp Gaskets

Metal Detectable Clamp Gaskets



Type 1 - Standard
1/2" - 3/4"



Type 1 - Standard
1" and larger

Feature:

- Metal detectable gaskets are impregnated with stainless steel particles. The addition of stainless steel allows a gasket or gasket pieces to be found with metal detection equipment.

Buna-N - Metal Detectable Clamp Gaskets

Features:

- minimum temperature **-20°F**
- maximum temperature **212°F**
- good general use where temperature extremes do not exist

| Size | Part Number |
|------|-------------------|
| 1" | 40MP-UZ100 |
| 1½" | 40MP-UZ150 |
| 2" | 40MP-UZ200 |
| 2½" | 40MP-UZ250 |
| 3" | 40MP-UZ300 |
| 4" | 40MP-UZ400 |

EPDM - Metal Detectable Clamp Gaskets

Features:

- minimum temperature **-70°F**
- maximum temperature **310°F**
- resistant to steam, water and base solutions

| Size | Part Number |
|------|-------------------|
| 1" | 40MP-EZ100 |
| 1½" | 40MP-EZ150 |
| 2" | 40MP-EZ200 |
| 2½" | 40MP-EZ250 |
| 3" | 40MP-EZ300 |
| 4" | 40MP-EZ400 |

FKM - Metal Detectable Clamp Gaskets

Features:

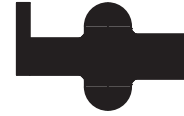
- minimum temperature **-20°F**
- maximum temperature **410°F**
- resistant to steam, heat and high acid solutions

| Size | Part Number |
|------|---------------------|
| 1" | 40MP-SFYZ100 |
| 1½" | 40MP-SFYZ150 |
| 2" | 40MP-SFYZ200 |
| 2½" | 40MP-SFYZ250 |
| 3" | 40MP-SFYZ300 |
| 4" | 40MP-SFYZ400 |

Clamp Flanged Gaskets

Buna-N - Flanged Clamp Gaskets - Black

| Size | Part Number |
|------|--------------------|
| 1" | 40MPF-U100 |
| 1½" | 40MPF-U150 |
| 2" | 40MPF-U200 |
| 2½" | 40MPF-U250 |
| 3" | 40MPF-U300 |
| 4" | 40MPF-U400 |
| 6" | 40MPF-U600 |
| 8" | 40MPF-U800 |
| 10" | 40MPF-U1000 |
| 12" | 40MPF-U1200 |



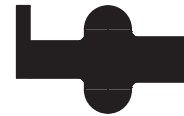
Type 2 - Flanged
1" and larger

Features:

- color code: red dot
- meets 21CFR 177.2600
- not recommended for use with bolted clamps

Buna-N - Flanged Clamp Gaskets - White

| Size | Part Number |
|------|--------------------|
| 1" | 40MPF-UW100 |
| 1½" | 40MPF-UW150 |
| 2" | 40MPF-UW200 |
| 2½" | 40MPF-UW250 |
| 3" | 40MPF-UW300 |
| 4" | 40MPF-UW400 |
| 6" | 40MPF-UW600 |
| 8" | 40MPF-UW800 |



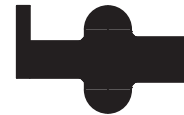
Type 2 - Flanged
1" and larger

Features:

- color code: red dot
- meets 21CFR 177.2600
- not recommended for use with bolted clamps

EPDM - Flanged Clamp Gaskets - Black

| Size | Part Number |
|------|--------------------|
| 1" | 40MPF-E100 |
| 1½" | 40MPF-E150 |
| 2" | 40MPF-E200 |
| 2½" | 40MPF-E250 |
| 3" | 40MPF-E300 |
| 4" | 40MPF-E400 |
| 6" | 40MPF-E600 |
| 8" | 40MPF-E800 |
| 10" | 40MPF-E1000 |
| 12" | 40MPF-E1200 |



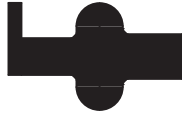
Type 2 - Flanged
1" and larger

Features:

- color code: three green dots
- peroxide cured
- meets 21CFR 177.2600
- passed U.S.P. Class VI Cytotoxicity testing
- not recommended for use with bolted clamps

Clamp Flanged Gaskets

FKM - Flanged Clamp Gaskets - Black



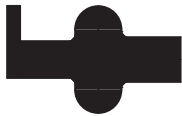
Type 2 - Flanged
1" and larger

Features:

- color code: one white dot, one yellow dot
- peroxide cured
- meets 21CFR 177.2600
- passed U.S.P. Class VI Cytotoxicity testing
- not recommended for use with bolted clamps

| Size | Part Number |
|------|----------------------|
| 1" | 40MPF-SFY100 |
| 1½" | 40MPF-SFY150 |
| 2" | 40MPF-SFY200 |
| 2½" | 40MPF-SFY250 |
| 3" | 40MPF-SFY300 |
| 4" | 40MPF-SFY400 |
| 6" | 40MPF-SFY600 |
| 8" | 40MPF-SFY800 |
| 10" | 40MPF-SFY1000 |
| 12" | 40MPF-SFY1200 |

Silicone - Flanged Clamp Gaskets - White



Type 2 - Flanged
1" and larger

Features:

- color code: pink dot
- peroxide cured
- meets 21CFR 177.2600
- passed U.S.P. Class VI Cytotoxicity testing
- not recommended for use with bolted clamps

| Size | Part Number |
|------|---------------------|
| 1" | 40MPF-XW100 |
| 1½" | 40MPF-XW150 |
| 2" | 40MPF-XW200 |
| 2½" | 40MPF-XW250 |
| 3" | 40MPF-XW300 |
| 4" | 40MPF-XW400 |
| 6" | 40MPF-XW600 |
| 8" | 40MPF-XW800 |
| 10" | 40MPF-XW1000 |
| 12" | 40MPF-XW1200 |

Silicone - Flanged Clamp Gaskets - Clear



Type 2 - Flanged
1" and larger

Features:

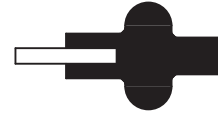
- color code: no dot
- peroxide cured
- meets 21CFR 177.2600
- passed U.S.P. Class VI Cytotoxicity testing
- not recommended for use with bolted clamps

| Size | Part Number |
|------|--------------------|
| 1" | 40MPF-XC100 |
| 1½" | 40MPF-XC150 |
| 2" | 40MPF-XC200 |
| 2½" | 40MPF-XC250 |
| 3" | 40MPF-XC300 |
| 4" | 40MPF-XC400 |
| 6" | 40MPF-XC600 |
| 8" | 40MPF-XC800 |

Clamp Screened Gaskets

Buna-N - Mesh Screen *Clamp Gaskets, 316*

| Size | Part Number |
|------|-------------------|
| 1" | 40MPS-U100 |
| 1½" | 40MPS-U150 |
| 2" | 40MPS-U200 |
| 2½" | 40MPS-U250 |
| 3" | 40MPS-U300 |
| 4" | 40MPS-U400 |



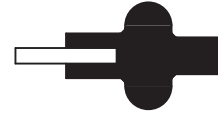
Type 3 - Mesh

Features:

- color code: red dot
- 10 mesh standard, other mesh available, call for details
- meets 21CFR 177.2600

EPDM - Mesh Screen *Clamp Gaskets, 316*

| Size | Part Number |
|------|-------------------|
| 1" | 40MPS-E100 |
| 1½" | 40MPS-E150 |
| 2" | 40MPS-E200 |
| 2½" | 40MPS-E250 |
| 3" | 40MPS-E300 |
| 4" | 40MPS-E400 |



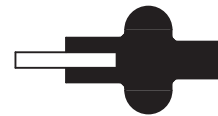
Type 3 - Mesh

Features:

- color code: three green dots
- 10 mesh standard, other materials available, call for details
- peroxide cured
- meets 21CFR 177.2600

FKM - Mesh Screen *Clamp Gaskets, 316*

| Size | Part Number |
|------|---------------------|
| 1" | 40MPS-SFY100 |
| 1½" | 40MPS-SFY150 |
| 2" | 40MPS-SFY200 |
| 2½" | 40MPS-SFY250 |
| 3" | 40MPS-SFY300 |
| 4" | 40MPS-SFY400 |



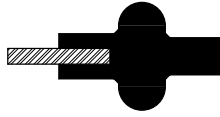
Type 3 - Mesh

Features:

- color code: one white dot, one yellow dot
- 10 mesh standard, other mesh available, call for details
- peroxide cured
- meets 21CFR 177.2600

Clamp Perforated Gaskets

Buna-N Perforated Clamp Gaskets - .033" holes



Type 3 - Perforated

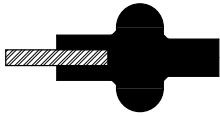
Features:

- color code: red dot
- perforated metal disc 316 stainless steel sheet
- meets 21CFR 177.2600

| Size | Part Number |
|------|-------------------|
| 1" | 40MP-UP100 |
| 1½" | 40MP-UP150 |
| 2" | 40MP-UP200 |
| 2½" | 40MP-UP250 |
| 3" | 40MP-UP300 |
| 4" | 40MP-UP400 |

Clamp Orifice Gaskets

Buna-N Orifice Clamp Gaskets - Black, .125" hole



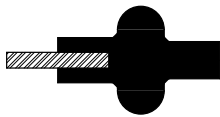
Type 3

Features:

- color code: red dot
- 316 stainless steel sheet;
other hole sizes available, call for details
- meets 21CFR 177.2600

| Size | Part Number |
|------|-------------------|
| 1" | A80MP-U100 |
| 1½" | A80MP-U150 |
| 2" | A80MP-U200 |
| 2½" | A80MP-U250 |
| 3" | A80MP-U300 |
| 4" | A80MP-U400 |

FKM Orifice Clamp Gaskets - .125" hole



Type 3

Features:

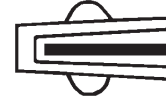
- color code: one white dot, one yellow dot
- 316 stainless steel sheet;
other hole sizes available, call for details
- peroxide cured
- meets 21CFR 177.2600

| Size | Part Number |
|------|---------------------|
| 1" | A80MP-SFY100 |
| 1½" | A80MP-SFY150 |
| 2" | A80MP-SFY200 |
| 2½" | A80MP-SFY250 |
| 3" | A80MP-SFY300 |
| 4" | A80MP-SFY400 |

Clamp Envelope Gaskets

PTFE envelope clamp gaskets with EPDM filler

| Size | Part Number |
|--------|--------------------|
| 1/2" | 42MP-GRE50 |
| 3/4" | 42MP-GRE75 |
| 1" | 40MP-GRE100 |
| 1 1/2" | 40MP-GRE150 |
| 2" | 40MP-GRE200 |
| 2 1/2" | 40MP-GRE250 |
| 3" | 40MP-GRE300 |
| 4" | 40MP-GRE400 |
| 6" | 40MP-GRE600 |



Features:

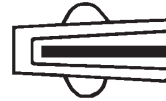
- color code: usually not marked
- peroxide cured EPDM
- meets 21CFR 177.1550
- PTFE passed USP Class VI Cytotoxicity testing



PTFE is a material subject to plastic flow. When cycled through heat and then cooled down in process lines, PTFE gaskets will not return to the original configuration and it will continue to compress as the cycling continues. This plastic flow will allow leakage if clamp torques are not maintained.

PTFE envelope clamp gaskets with FKM filler

| Size | Part Number |
|--------|-------------------|
| 1/2" | 42MP-GR50 |
| 3/4" | 42MP-GR75 |
| 1" | 40MP-GR100 |
| 1 1/2" | 40MP-GR150 |
| 2" | 40MP-GR200 |
| 2 1/2" | 40MP-GR250 |
| 3" | 40MP-GR300 |
| 4" | 40MP-GR400 |
| 6" | 40MP-GR600 |
| 8" | 40MP-GR800 |



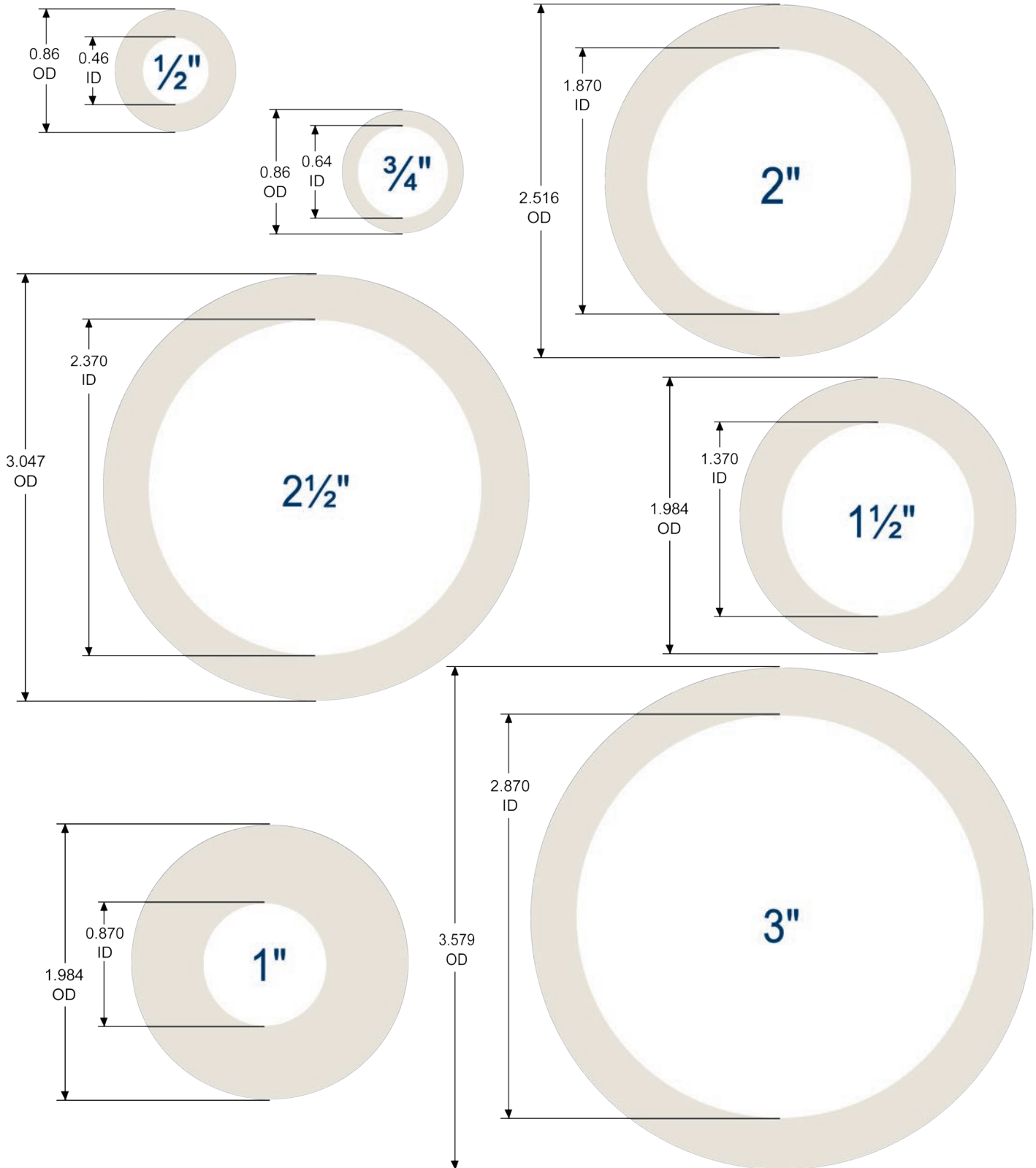
Features:

- color code: usually not marked
- peroxide cured FKM
- meets 21CFR 177.1550
- PTFE passed USP Class VI Cytotoxicity testing



PTFE is a material subject to plastic flow. When cycled through heat and then cooled down in process lines, PTFE gaskets will not return to the original configuration and it will continue to compress as the cycling continues. This plastic flow will allow leakage if clamp torques are not maintained.

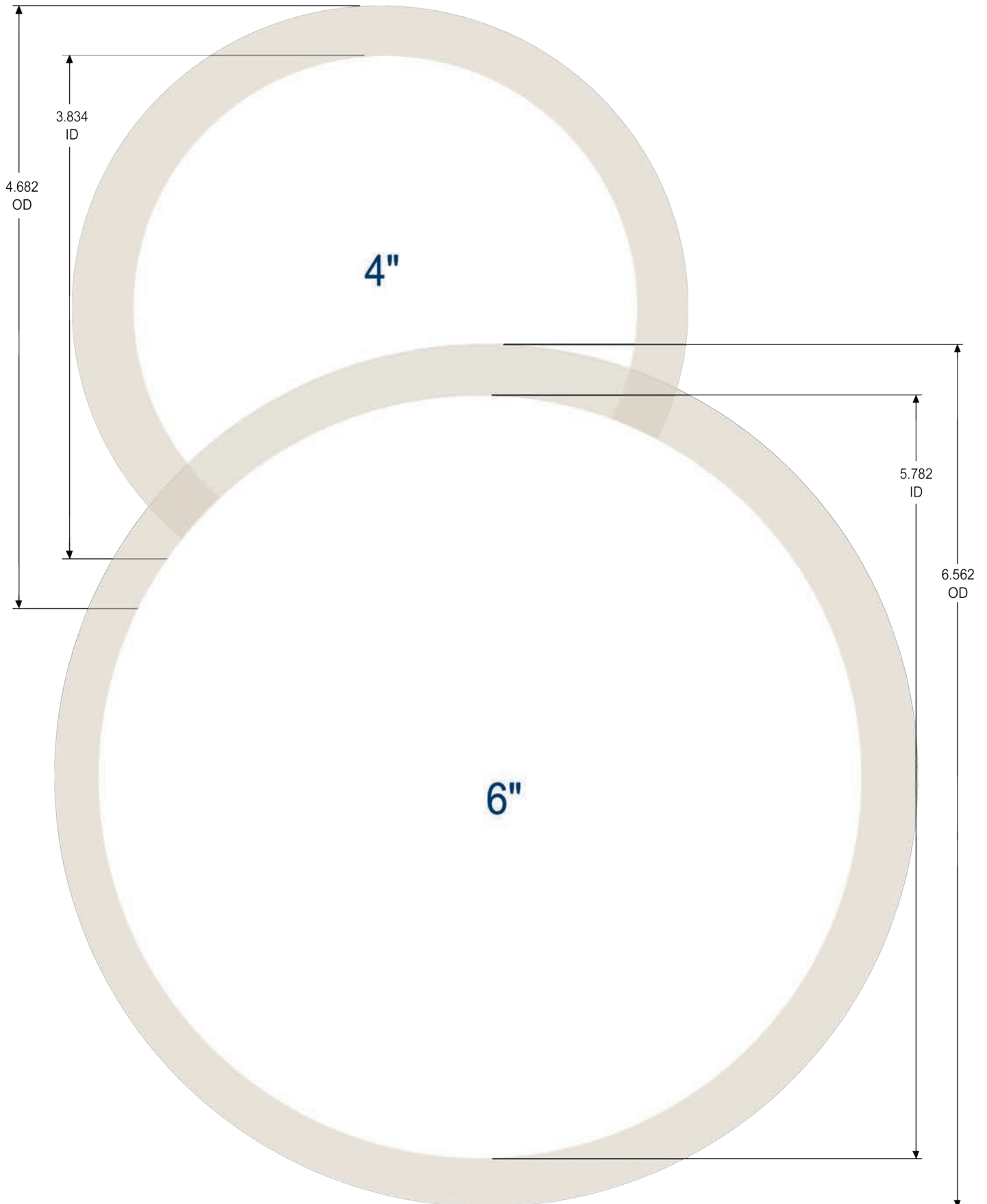
Clamp Fittings and Gasket Sizing Guide



| Sanitary Size | OD of Clamp End | ID of Fitting |
|---------------|-----------------|---------------|
| 1/2" | 0.992 | 0.370 |
| 3/4" | 0.992 | 0.620 |
| 1" | 1.984 | 0.870 |
| 1 1/2" | 1.984 | 1.370 |

| Sanitary Size | OD of Clamp End | ID of Fitting |
|---------------|-----------------|---------------|
| 3" | 3.579 | 2.870 |
| 4" | 4.682 | 3.834 |
| 6" | 6.562 | 5.782 |
| 8" | 8.602 | 7.782 |

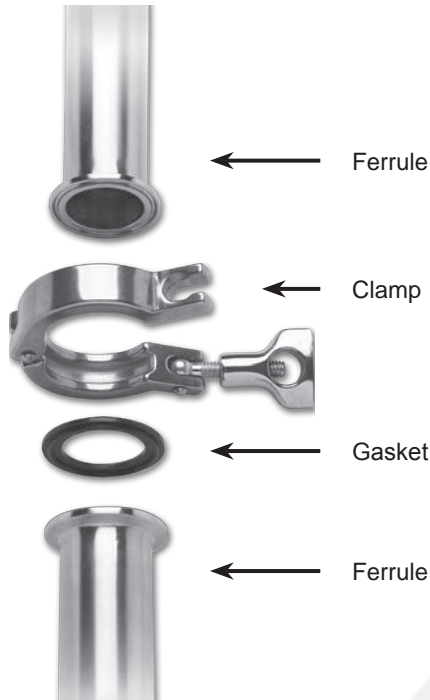
Clamp Fittings and Gasket Sizing Guide



Dixon Sanitary Pipe Fittings

A Complete Pipe Clamp Connection

Product Specifications



Size range:

- 1" - 6" nominal pipe

Materials:

- G = 304 stainless steel
- R = 316L stainless steel
- other alloys are available

Finish:

- 3A sanitary finish ID and OD

Dimensions of Stainless Steel Pipe given in inches

| Nominal Pipe Size | Outside Diameter | Nominal Wall Thickness (inches) | |
|-------------------|------------------|---------------------------------|--------------|
| | | schedule 5S | schedule 10S |
| 1" | 1.32 | .065 | .109 |
| 1½" | 1.90 | .065 | .109 |
| 2" | 2.38 | .065 | .109 |
| 2½" | 2.88 | .083 | .120 |
| 3" | 3.50 | .083 | .120 |
| 4" | 4.50 | .083 | .120 |
| 6" | 6.62 | .109 | .134 |

This section contains pipe materials. Please note in sizes ½" through 12" pipe is known by its nominal inside diameter, which differs from its actual inside diameter. To distinguish pipe sizes from actual measured diameters as used for tube, the terms *iron pipe size* (IPS) or *nominal pipe size* (NPS) are usually used. For all pipe sizes, the outside diameter (OD) remains constant; the variations in wall thickness affect the inside diameter (ID).

Stainless steel schedule numbers from schedule 5S through schedule 80S are published in ANSI B36.19 for sizes through 12". The addition of the letter "S" after the schedule number identifies it as pertaining to stainless steel.



Pipe size and Tube OD size materials are not interchangeable

Index

Clamps 35
 Ferrules 35-36
 Caps 36
 Adapters 37

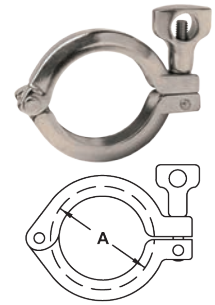
Hangers 38-40
 Gaskets 40
 Pipe Gasket Sizing Chart 41-42

Pipe Size Clamps

Schedule 5S and 10S Single Pin Heavy Duty Clamps - 13MHHV

| Pipe Size | A | Service pressure rating @ 70°F ¹ | Part Number |
|-----------|-------|---|------------------|
| 1" | 2.122 | 500 | 13MHHV100 |
| 1½" | 2.654 | 450 | 13MHHV150 |
| 2" | 3.185 | 400 | 13MHHV200 |
| 2½" | 3.717 | 350 | 13MHHV250 |
| 3" | 4.263 | 250 | 13MHHV300 |
| 4" | 5.263 | 150 | 13MHHV400 |
| 6" | 7.500 | 100 | 13MHHV600 |

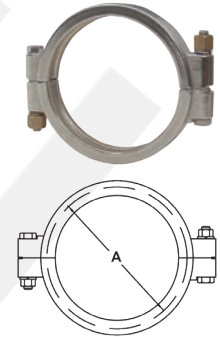
¹ wing nut tightened to 25 in. lbs. of torque



Schedule 5S and 10S Bolted Clamps - 13MHPV

| Pipe Size | A | Service pressure rating @ 70°F ¹ | Part Number |
|-----------|-------|---|------------------|
| 1" | 2.046 | 750 | 13MHPV100 |
| 1½" | 2.578 | 500 | 13MHPV150 |
| 2" | 3.110 | 500 | 13MHPV200 |
| 2½" | 3.460 | 500 | 13MHPV250 |
| 4" | 5.188 | 400 | 13MHPV400 |

¹ bronze nuts tightened to 20 ft. lbs. of torque

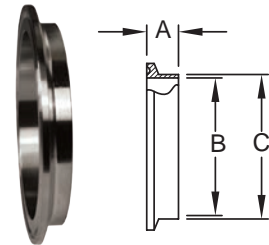


Note: see page 34 for pipe size information

Pipe Size Ferrules

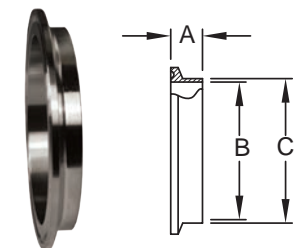
Schedule 5S Short Weld Ferrules - 14WMV

| Pipe Size | A | B | C | 316L Stainless Steel Part Number |
|-----------|------|-------|-------|----------------------------------|
| 1" | .500 | 1.185 | 1.315 | 14WMV-R100 |
| 1½" | .500 | 1.770 | 1.900 | 14WMV-R150 |
| 2" | .500 | 2.245 | 2.375 | 14WMV-R200 |
| 2½" | .500 | 2.709 | 2.875 | 14WMV-R250 |
| 3" | .500 | 3.334 | 3.500 | 14WMV-R300 |
| 4" | .625 | 4.334 | 4.500 | 14WMV-R400 |
| 6" | .875 | 6.407 | 6.625 | 14WMV-R600 |

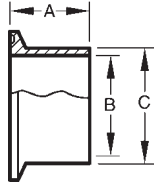
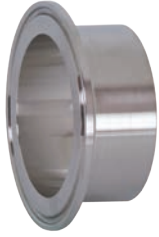


Schedule 10S Short Weld Ferrules - 14WMX

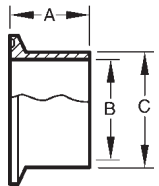
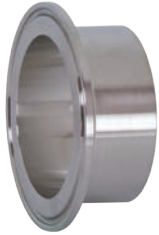
| Pipe Size | A | B | C | 316L Stainless Steel Part Number |
|-----------|------|-------|-------|----------------------------------|
| 1" | .500 | 1.097 | 1.315 | 14WMX-R100 |
| 1½" | .500 | 1.682 | 1.900 | 14WMX-R150 |
| 2" | .500 | 2.157 | 2.375 | 14WMX-R200 |
| 2½" | .500 | 2.635 | 2.875 | 14WMX-R250 |
| 3" | .500 | 3.260 | 3.500 | 14WMX-R300 |
| 4" | .625 | 4.260 | 4.500 | 14WMX-R400 |
| 6" | .875 | 6.350 | 6.625 | 14WMX-R600 |



Pipe Size Ferrules

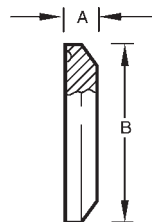
 Schedule 5S Long Weld Ferrules - L14AM7V


| Pipe Size | A | B | C | 316L Stainless Steel Part Number |
|-----------|-------|-------|-------|----------------------------------|
| 1" | 1.125 | 1.185 | 1.315 | L14AM7V-R100 |
| 1½" | 1.125 | 1.770 | 1.900 | L14AM7V-R150 |
| 2" | 1.125 | 2.245 | 2.375 | L14AM7V-R200 |
| 2½" | 1.125 | 2.709 | 2.875 | L14AM7V-R250 |
| 3" | 1.125 | 3.334 | 3.500 | L14AM7V-R300 |
| 4" | 1.125 | 4.334 | 4.500 | L14AM7V-R400 |
| 6" | 1.500 | 6.407 | 6.625 | L14AM7V-R600 |

 Schedule 10S Long Weld Ferrules - L14AM7X


| Pipe Size | A | B | C | 316L Stainless Steel Part Number |
|-----------|-------|-------|-------|----------------------------------|
| 1" | 1.125 | 1.097 | 1.315 | L14AM7X-R100 |
| 1½" | 1.125 | 1.682 | 1.900 | L14AM7X-R150 |
| 2" | 1.125 | 2.157 | 2.375 | L14AM7X-R200 |
| 2½" | 1.125 | 2.635 | 2.875 | L14AM7X-R250 |
| 3" | 1.125 | 3.260 | 3.500 | L14AM7X-R300 |
| 4" | 1.125 | 4.260 | 4.500 | L14AM7X-R400 |
| 6" | 1.500 | 6.350 | 6.625 | L14AM7X-R600 |

Pipe Size End Caps

 Schedule 5S and 10S Solid End Caps - 16AMV


| Pipe Size | A | B | 316L Stainless Steel Part Number |
|-----------|------|-------|----------------------------------|
| 1" | .250 | 1.984 | 16AMV-R100 |
| 1½" | .250 | 2.516 | 16AMV-R150 |
| 2" | .250 | 3.047 | 16AMV-R200 |
| 2½" | .250 | 3.579 | 16AMV-R250 |
| 3" | .312 | 4.125 | 16AMV-R300 |
| 4" | .312 | 5.125 | 16AMV-R400 |
| 6" | .437 | 7.195 | 16AMV-R600 |

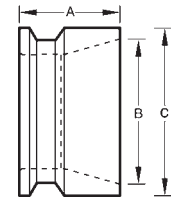
- Specify if you are using a piping system or a tubing system when ordering.

Pipe Size Adapters

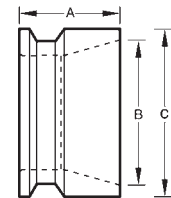
B

Clamp x Schedule 5S Weld Adapters - B19MPV 

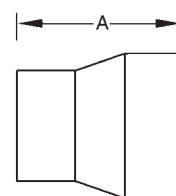
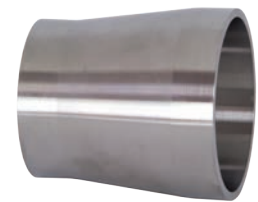
| Pipe Size | A | B | C | Pipe Wall Thickness | 316L Stainless Steel Part Number |
|-----------|-------|-------|-------|---------------------|----------------------------------|
| 1" | 1.125 | 1.185 | 1.315 | .065 | B19MPV-R100 |
| 1½" | 1.125 | 1.770 | 1.900 | .065 | B19MPV-R150 |
| 2" | 1.125 | 2.245 | 2.375 | .065 | B19MPV-R200 |
| 2½" | 1.125 | 2.709 | 2.875 | .084 | B19MPV-R250 |
| 3" | 1.125 | 3.334 | 3.500 | .084 | B19MPV-R300 |
| 4" | 1.125 | 4.334 | 4.500 | .084 | B19MPV-R400 |

Clamp x Schedule 10S Weld Adapters - B19MPX 

| Pipe Size | A | B | C | Pipe Wall Thickness | 316L Stainless Steel Part Number |
|-----------|-------|-------|-------|---------------------|----------------------------------|
| 1" | 1.125 | 1.097 | 1.315 | .109 | B19MPX-R100 |
| 1½" | 1.125 | 1.682 | 1.900 | .109 | B19MPX-R150 |
| 2" | 1.125 | 2.157 | 2.375 | .109 | B19MPX-R200 |
| 2½" | 1.125 | 2.635 | 2.875 | .120 | B19MPX-R250 |
| 3" | 1.125 | 3.260 | 3.500 | .120 | B19MPX-R300 |
| 4" | 1.125 | 4.260 | 4.500 | .120 | B19MPX-R400 |

Tube O.D. Weld x Schedule 10S Weld Adapters - B19WX 

| Pipe Size | A | Tube Wall Thickness | Pipe Wall Thickness | 316L Stainless Steel Part Number |
|-----------|-------|---------------------|---------------------|----------------------------------|
| 1" | 2.000 | .065 | .109 | B19WX-R100 |
| 1½" | 2.500 | .065 | .109 | B19WX-R150 |
| 2" | 2.500 | .065 | .109 | B19WX-R200 |
| 2½" | 2.500 | .065 | .120 | B19WX-R250 |
| 3" | 2.500 | .065 | .120 | B19WX-R300 |
| 4" | 3.000 | .084 | .120 | B19WX-R400 |



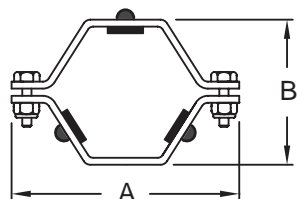
Other types of schedule 5 and 10 pipe fittings are available call Dixon Sanitary for information



B19W

Pipe Size Hangers

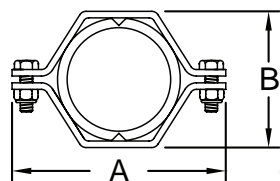
Hex Hanger with Rubber Grommets - B24RV¹



| Pipe Size | A | B | 304 Stainless Steel Part Number |
|-----------|-------|-------|---------------------------------|
| 1" | 3.625 | 2.125 | B24RV-G100 |
| 1½" | 3.625 | 2.125 | B24RV-G150 |
| 2" | 4.312 | 2.625 | B24RV-G200 |
| 2½" | 4.875 | 3.125 | B24RV-G250 |
| 3" | 5.375 | 3.625 | B24RV-G300 |
| 4" | 6.562 | 4.750 | B24RV-G400 |
| 6" | 9.000 | 6.625 | B24RV-G600 |

¹ for coupler option call Dixon Sanitary

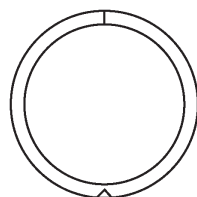
Hex Hanger with Polypropylene Sleeves - B24PV¹



| Pipe Size | A | B | 304 Stainless Steel Part Number |
|-----------|-------|-------|---------------------------------|
| 1" | 3.625 | 2.125 | B24PV-G100 |
| 1½" | 4.312 | 2.625 | B24PV-G150 |
| 2" | 4.875 | 3.125 | B24PV-G200 |
| 2½" | 4.812 | 3.125 | B24PV-G250 |
| 3" | 6.000 | 4.250 | B24PV-G300 |
| 4" | 7.500 | 5.625 | B24PV-G400 |
| 6" | 9.750 | 7.375 | B24PV-G600 |

¹ for coupler option call Dixon Sanitary

Sleeves - 13PV



| Pipe Size | Polypropylene Part Number |
|-----------|---------------------------|
| 1" | 13PV-100 |
| 1½" | 13PV-150 |
| 2" | 13PV-200 |
| 2½" | 13PV-250 |
| 3" | 13PV-300 |
| 4" | 13PV-400 |
| 6" | 13PV-600 |

Pipe Size Uni-Hinge Block Hangers

B

Features:

- support range: 1" - 4"

Materials:

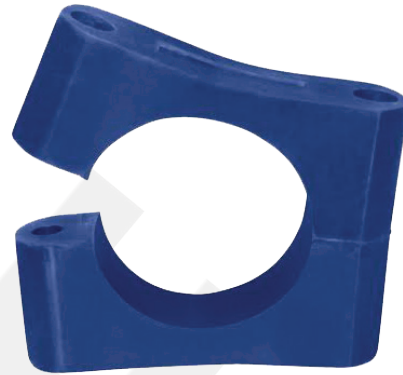
- silicone insert: 80 durometer
- intermittent temperatures from -40°F to 320°F
- hardware: 304 and 316 stainless steel

Applications:

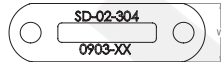
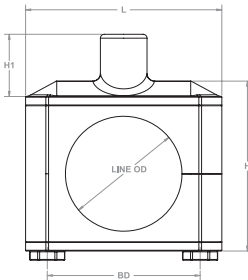
- clean rooms and mechanical areas; not limited to: biotech, pharmaceutical, food processing.
- low flow and low pressure systems with moderate vibration: WFI, SIP, CIP, process, utility and instrument lines.

Benefits:

- insulation envelope: reduced OD allows hanger to be buried under the insulation jacket.
- silicone inserts are one piece
- there are no exposed threads or openings in hardware plates
- all plates polished, bolts are cleaned and nuts are lubricated with FDA approved product
- hanger threads match MSS SP-69 rod OD requirements

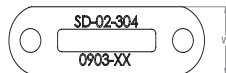
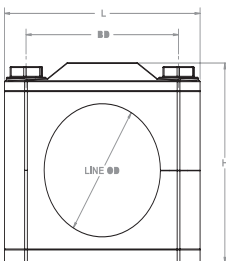


Hang Plate Block Hanger - B24V-TM



| Pipe Size | BD | H | H1 | L | Line OD | W | Thread | Part Number |
|-----------|------|------|------|------|---------|------|---------|---------------------|
| 1" | 1.94 | 2.19 | 0.60 | 2.49 | 1.315 | 0.75 | 3/8"-16 | B24V-TM-G100 |
| 1½" | 2.44 | 2.69 | 0.60 | 2.99 | 1.900 | 0.88 | 3/8"-16 | B24V-TM-G150 |
| 2" | 2.81 | 3.22 | 1.21 | 3.36 | 2.375 | 0.88 | 1/2"-13 | B24V-TM-G200 |
| 2½" | 3.19 | 3.66 | 1.21 | 3.74 | 2.875 | 0.88 | 1/2"-13 | B24V-TM-G250 |
| 3" | 3.92 | 4.22 | 1.32 | 4.48 | 3.500 | 1.00 | 1/2"-13 | B24V-TM-G300 |
| 4" | 4.92 | 5.45 | 1.39 | 5.48 | 4.500 | 1.00 | 5/8"-11 | B24V-TM-G400 |

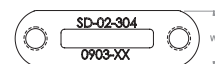
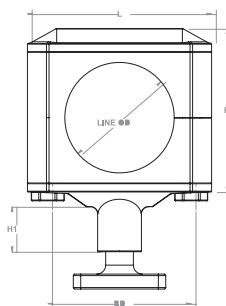
Weld Plate Block Hanger - B24V-WP



| Pipe Size | BD | CL | H | L | Line OD | W | Part Number |
|-----------|------|------|------|------|---------|------|---------------------|
| 1" | 1.94 | 1.03 | 2.23 | 2.49 | 1.315 | 0.75 | B24V-WP-G100 |
| 1½" | 2.44 | 1.31 | 2.75 | 2.99 | 1.900 | 0.88 | B24V-WP-G150 |
| 2" | 2.81 | 1.55 | 3.25 | 3.36 | 2.375 | 0.88 | B24V-WP-G200 |
| 2½" | 3.19 | 1.77 | 3.68 | 3.74 | 2.875 | 0.88 | B24V-WP-G250 |
| 3" | 3.92 | 2.00 | 4.05 | 4.48 | 3.500 | 1.00 | B24V-WP-G300 |
| 4" | 4.92 | 2.23 | 4.35 | 5.48 | 4.500 | 1.00 | B24V-WP-G400 |

Pipe Size Uni-Hinge Block Hangers

B



Base Mount Block Hanger - B24V-BM

| Pipe Size | BD | H | H1 | L | Line OD | W | Thread | Part Number |
|-----------|------|------|------|------|---------|------|---------|---------------------|
| 1" | 1.94 | 2.19 | 0.47 | 2.49 | 1.315 | 0.75 | 3/8"-16 | B24V-BM-G100 |
| 1½" | 2.44 | 2.69 | 0.47 | 2.99 | 1.900 | 0.88 | 3/8"-16 | B24V-BM-G150 |
| 2" | 2.81 | 3.19 | 0.59 | 3.36 | 2.375 | 0.88 | 1/2"-13 | B24V-BM-G200 |
| 2½" | 3.19 | 3.63 | 0.59 | 3.74 | 2.875 | 0.88 | 1/2"-13 | B24V-BM-G250 |

Schedule 5S and 10S Pipe Size Clamp Gaskets

Buna-N Pipe Size Clamp Gaskets - Black



Features:

- color code: red dot
- meets 21CFR 177.2600

| Pipe Size | Part Number |
|-----------|-------------------|
| 1" | 40MPV-U100 |
| 1½" | 40MPV-U150 |
| 2" | 40MPV-U200 |
| 2½" | 40MPV-U250 |
| 3" | 40MPV-U300 |
| 4" | 40MPV-U400 |
| 6" | 40MPV-U600 |

PTFE Pipe Size Clamp Gaskets



Features:

- color code: no dot
- meets 21CFR 177.1550
- passed U.S.P. Class VI Cytotoxicity testing
- not recommended for use with bolted clamps



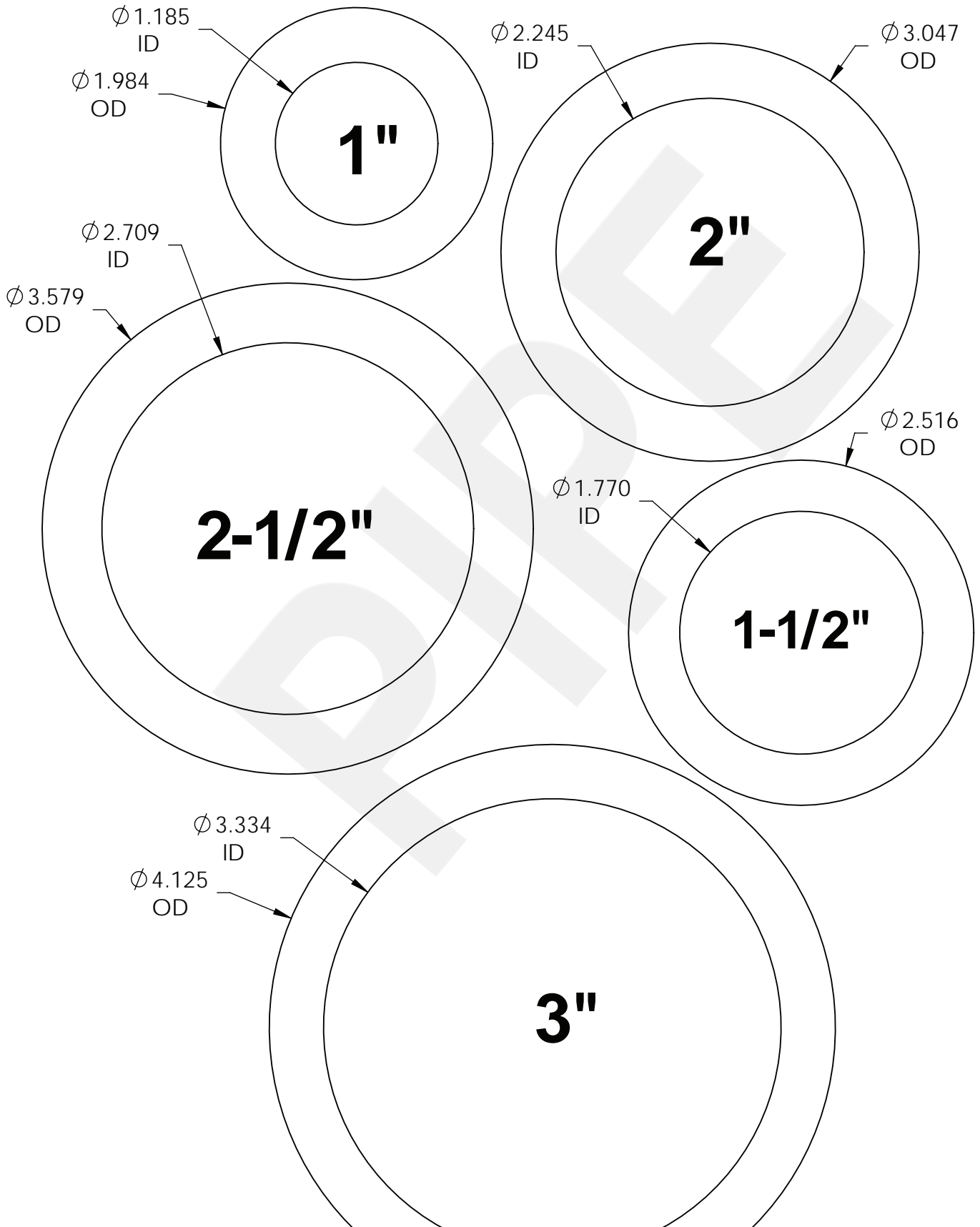
| Pipe Size | Part Number |
|-----------|-------------------|
| 1" | 40MPV-G100 |
| 1½" | 40MPV-G150 |
| 2" | 40MPV-G200 |
| 2½" | 40MPV-G250 |
| 3" | 40MPV-G300 |
| 4" | 40MPV-G400 |



PTFE is a material subject to plastic flow. When cycled through heat and then cooled down in process lines, PTFE gaskets will not return to the original configuration and it will continue to compress as the cycling continues. This plastic flow will allow leakage if clamp torques are not maintained.

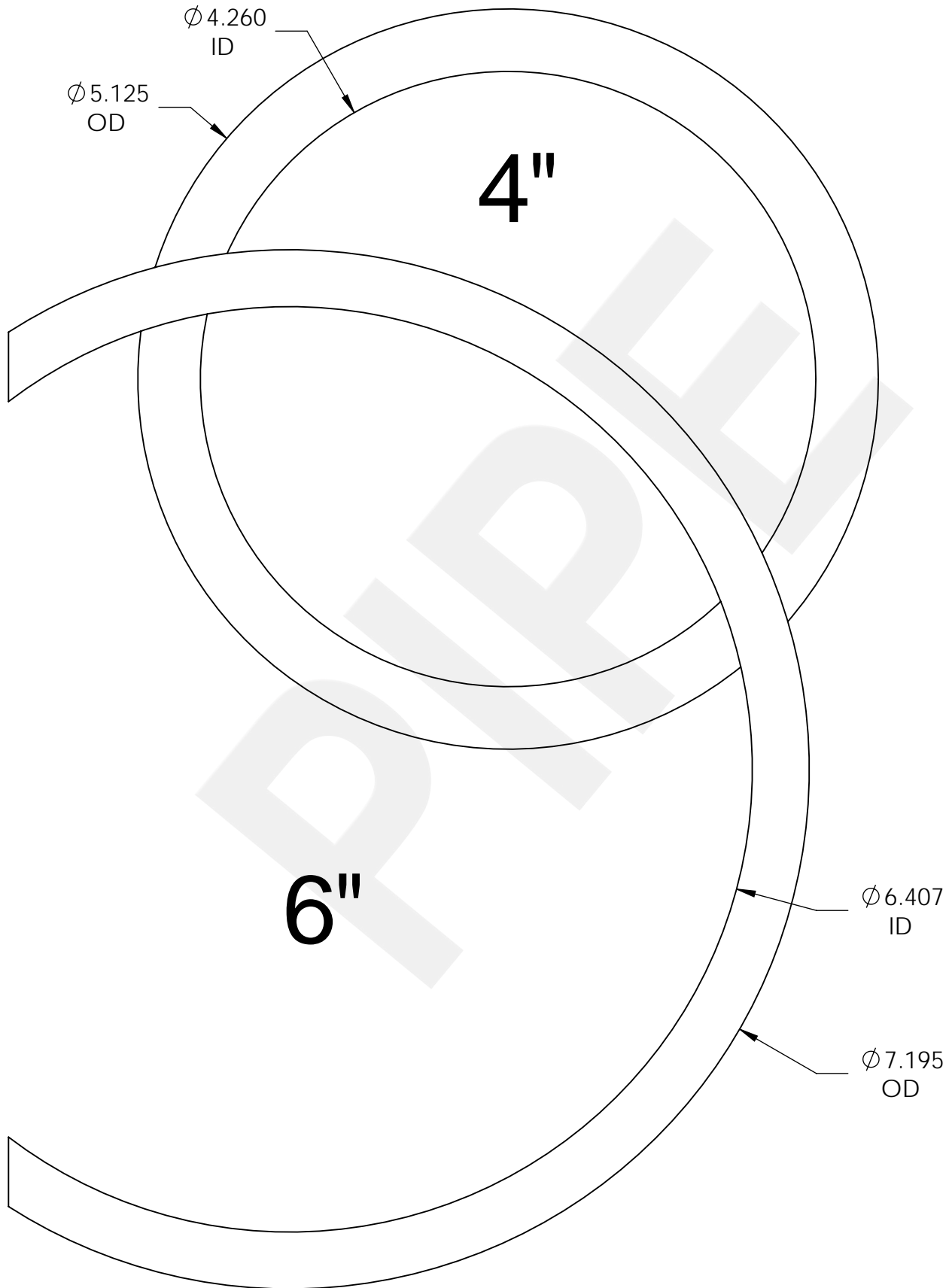
Pipe Gasket Sizing Guide

B



Pipe Gasket Sizing Guide

B



Dixon Sanitary Bevel Seat Fittings

A Complete Bevel Seat Connection

Size range:

- 1" - 4" OD tube

Materials:

- G = 304 stainless steel
- R = 316L stainless steel
- other alloys are available

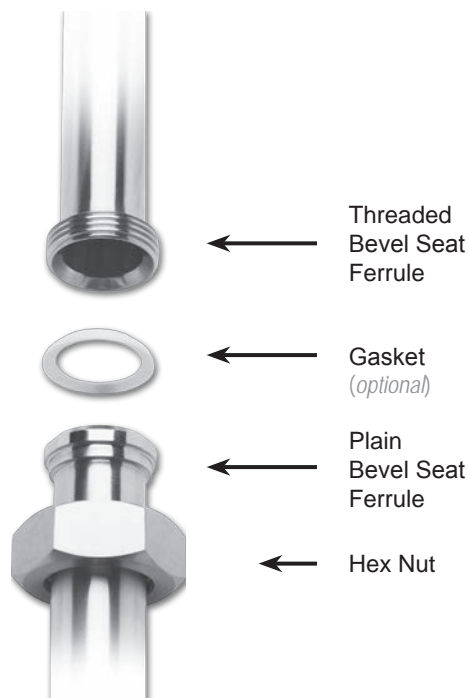
Finish:

- 3A sanitary finish ID and OD

Dimensions of stainless steel tube given in inches

| Tube OD | Nominal Wall Thickness (inches) | Gage Number |
|---------|---------------------------------|-------------|
| 1" | .065 | 16 |
| 1½" | .065 | 16 |
| 2" | .065 | 16 |
| 2½" | .065 | 16 |
| 3" | .065 | 16 |
| 4" | .083 | 14 |

Product Specifications

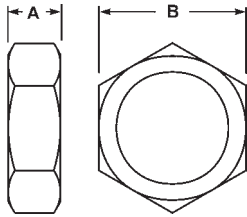


Index

| | | | |
|----------------|-------|---|-------|
| Nuts | 44 | Elbows | 49 |
| Wrenches | 44 | Reducers | 50 |
| Ferrules | 45-47 | Sanitary Breakaway Bevel Seat Version | 51 |
| Caps | 48 | Miscellaneous | 52 |
| Adapters | 48 | Gaskets | 53-54 |

Bevel Seat Nuts

C



Union Hex Nuts - 13H

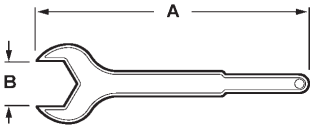
Feature:

- 400 PSI maximum

| Tube OD | A | B | 304 Stainless Steel (CF8) Part Number |
|---------|-------|-------|--|
| 1" | .906 | 1.812 | 13H-G100 |
| 1½" | .968 | 2.406 | 13H-G150 |
| 2" | 1.062 | 3.000 | 13H-G200 |
| 2½" | 1.187 | 3.594 | 13H-G250 |
| 3" | 1.281 | 4.188 | 13H-G300 |
| 4" | 1.500 | 5.438 | 13H-G400 |

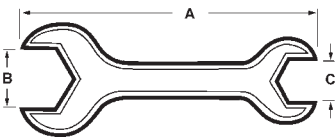
Bevel Seat Wrenches

Single Side Hex Wrenches - 25H



| Tube OD | A | B | Weight lbs. | Aluminum Part Number |
|---------|--------|-------|-------------|-------------------------|
| 1" | 10.500 | 1.812 | .64 | 25H-100 |
| 1½" | 12.000 | 2.406 | .86 | 25H-150 |
| 2" | 14.000 | 3.000 | 1.76 | 25H-200 |
| 2½" | 16.250 | 3.594 | 2.40 | 25H-250 |
| 3" | 18.500 | 4.188 | 3.04 | 25H-300 |
| 4" | 19.500 | 5.438 | 3.62 | 25H-400 |

Two Sided Hex Wrenches - 25H

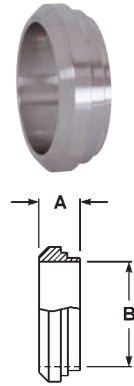


| Tube OD | A | B | C | Weight lbs. | Aluminum Part Number |
|----------|--------|-------|-------|-------------|-------------------------|
| 1½" x 1" | 12.000 | 2.406 | 1.812 | 1.00 | 25H-150100 |
| 2" x 1½" | 14.000 | 3.000 | 2.406 | 1.75 | 25H-200150 |
| 2½" x 2" | 16.500 | 3.594 | 3.000 | 2.80 | 25H-250200 |
| 3" x 2" | 18.000 | 4.188 | 3.000 | 3.20 | 25H-300200 |
| 3" x 2½" | 18.000 | 4.188 | 3.594 | 3.70 | 25H-300250 |

Bevel Seat Ferrules

Short Plain Bevel Seat Weld Ferrules - 14PRF

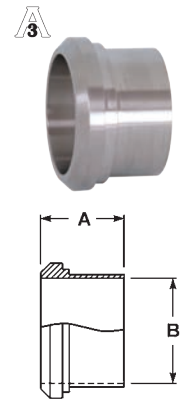
| Tube OD | A | B | 304 Stainless Steel Part Number | 316L Stainless Steel Part Number |
|---------|-------|-------|---------------------------------|----------------------------------|
| 1" | .718 | .870 | 14PRF-G100 | 14PRF-R100 |
| 1½" | .718 | 1.370 | 14PRF-G150 | 14PRF-R150 |
| 2" | .750 | 1.870 | 14PRF-G200 | 14PRF-R200 |
| 2½" | .875 | 2.370 | 14PRF-G250 | 14PRF-R250 |
| 3" | .906 | 2.870 | 14PRF-G300 | 14PRF-R300 |
| 4" | 1.031 | 3.834 | 14PRF-G400 | 14PRF-R400 |



C

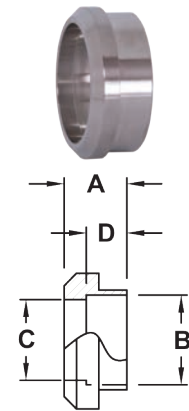
Long Plain Bevel Seat Weld Ferrules - 14A

| Tube OD | A | B | 304 Stainless Steel Part Number | 316L Stainless Steel Part Number |
|---------|-------|-------|---------------------------------|----------------------------------|
| 1" | 1.375 | .870 | 14A-G100 | 14A-R100 |
| 1½" | 1.500 | 1.370 | 14A-G150 | 14A-R150 |
| 2" | 1.500 | 1.870 | 14A-G200 | 14A-R200 |
| 2½" | 1.750 | 2.370 | 14A-G250 | 14A-R250 |
| 3" | 1.750 | 2.870 | 14A-G300 | 14A-R300 |
| 4" | 1.750 | 3.834 | 14A-G400 | 14A-R400 |



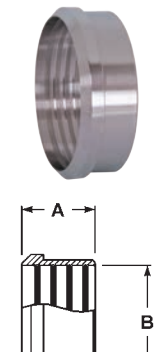
Recessed Plain Bevel Seat Weld Ferrules - 14

| Tube OD | A | B | C | D | 304 Stainless Steel Part Number |
|---------|-------|-------|-------|------|---------------------------------|
| 1" | .750 | 1.000 | .870 | .500 | 14-G100 |
| 1½" | .875 | 1.500 | 1.370 | .625 | 14-G150 |
| 2" | .969 | 2.000 | 1.870 | .688 | 14-G200 |
| 2½" | 1.062 | 2.500 | 2.370 | .750 | 14-G250 |
| 3" | 1.125 | 3.000 | 2.870 | .813 | 14-G300 |
| 4" | 1.250 | 4.000 | 3.834 | .938 | 14-G400 |



Recessless Plain Bevel Seat Ferrules for Expanding - 14R

| Tube OD | A | B | 304 Stainless Steel Part Number |
|---------|-------|-------|---------------------------------|
| 1" | .750 | 1.000 | 14R-G100 |
| 1½" | 1.125 | 1.500 | 14R-G150 |
| 2" | 1.312 | 2.000 | 14R-G200 |
| 2½" | 1.375 | 2.500 | 14R-G250 |
| 3" | 1.437 | 3.000 | 14R-G300 |
| 4" | 1.500 | 4.000 | 14R-G400 |

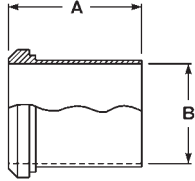


* Meets 3-A Standard Number 63-03 when used to modify or repair existing on-site farm milk handling systems.

Bevel Seat Ferrules

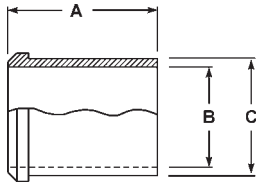
C

Light Wall Tank Plain Bevel Seat Ferrules - 14WL



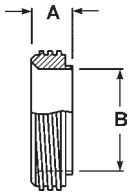
| Tube OD | A | B | 304 Stainless Steel Part Number |
|---------|-------|-------|---------------------------------|
| 1" | 2.000 | .870 | 14WL-G100 |
| 1½" | 2.250 | 1.370 | 14WL-G150 |
| 2" | 2.500 | 1.870 | 14WL-G200 |
| 2½" | 2.750 | 2.370 | 14WL-G250 |
| 3" | 3.000 | 2.870 | 14WL-G300 |
| 4" | 4.000 | 3.834 | 14WL-G400 |

Heavy Wall Tank Plain Bevel Seat Ferrules - 14W



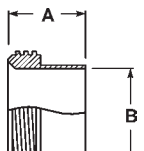
| Tube OD | A | B | C | 304 Stainless Steel Part Number |
|---------|-------|-------|-------|---------------------------------|
| 1" | 2.375 | .870 | 1.160 | 14W-G100 |
| 1½" | 2.531 | 1.370 | 1.676 | 14W-G150 |
| 2" | 2.781 | 1.870 | 2.192 | 14W-G200 |
| 2½" | 3.062 | 2.370 | 2.708 | 14W-G250 |
| 3" | 3.531 | 2.870 | 3.224 | 14W-G300 |
| 4" | 4.312 | 3.834 | 4.256 | 14W-G400 |

Short Threaded Bevel Seat Weld Ferrules - 15TRF



| Tube OD | A | B | 304 Stainless Steel Part Number | 316L Stainless Steel Part Number |
|---------|-------|-------|---------------------------------|----------------------------------|
| 1" | .718 | .870 | 15TRF-G100 | 15TRF-R100 |
| 1½" | .718 | 1.370 | 15TRF-G150 | 15TRF-R150 |
| 2" | .750 | 1.870 | 15TRF-G200 | 15TRF-R200 |
| 2½" | .875 | 2.370 | 15TRF-G250 | 15TRF-R250 |
| 3" | .906 | 2.870 | 15TRF-G300 | 15TRF-R300 |
| 4" | 1.031 | 3.834 | 15TRF-G400 | 15TRF-R400 |

Long Threaded Bevel Seat Weld Ferrules - 15A

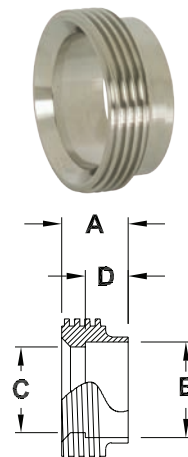


| Tube OD | A | B | 304 Stainless Steel Part Number | 316L Stainless Steel Part Number |
|---------|-------|-------|---------------------------------|----------------------------------|
| 1" | 1.375 | .870 | 15A-G100 | 15A-R100 |
| 1½" | 1.500 | 1.370 | 15A-G150 | 15A-R150 |
| 2" | 1.500 | 1.870 | 15A-G200 | 15A-R200 |
| 2½" | 1.750 | 2.370 | 15A-G250 | 15A-R250 |
| 3" | 1.750 | 2.870 | 15A-G300 | 15A-R300 |
| 4" | 1.750 | 3.834 | 15A-G400 | 15A-R400 |

Bevel Seat Ferrules

Recessed Threaded Bevel Seat Ferrules - 15

| Tube OD | A | B | C | D | 304 Stainless Steel Part Number |
|---------|-------|-------|-------|------|---------------------------------|
| 1" | .812 | 1.000 | .870 | .500 | 15-G100 |
| 1½" | .875 | 1.500 | 1.370 | .625 | 15-G150 |
| 2" | 1.031 | 2.000 | 1.870 | .687 | 15-G200 |
| 2½" | 1.125 | 2.500 | 2.370 | .750 | 15-G250 |
| 3" | 1.250 | 3.000 | 2.870 | .812 | 15-G300 |
| 4" | 1.375 | 4.000 | 3.834 | .937 | 15-G400 |

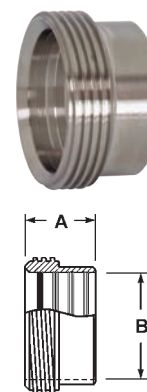


C

Recessless Threaded Bevel Seat Ferrules for Expanding - 15R

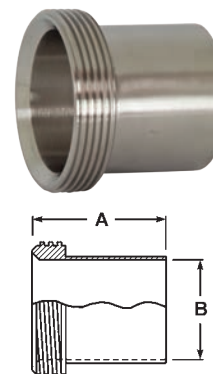
| Tube OD | A | B | 304 Stainless Steel Part Number |
|---------|-------|-------|---------------------------------|
| 1" | .812 | 1.000 | 15R-G100 |
| 1½" | 1.125 | 1.500 | 15R-G150 |
| 2" | 1.375 | 2.000 | 15R-G200 |
| 2½" | 1.500 | 2.500 | 15R-G250 |
| 3" | 1.675 | 3.000 | 15R-G300 |
| 4" | 1.675 | 4.000 | 15R-G400 |

* Meets 3-A Standard Number 63-03 when used to modify or repair existing on-site farm milk handling systems.



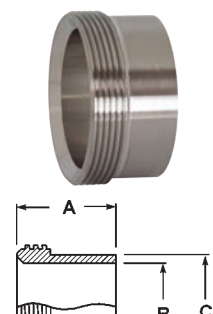
Light Wall Tank Threaded Bevel Seat Ferrules - 15WL

| Tube OD | A | B | 304 Stainless Steel Part Number |
|---------|-------|-------|---------------------------------|
| 1" | 2.000 | .870 | 15WL-G100 |
| 1½" | 2.250 | 1.370 | 15WL-G150 |
| 2" | 2.500 | 1.870 | 15WL-G200 |
| 2½" | 2.750 | 2.370 | 15WL-G250 |
| 3" | 3.000 | 2.870 | 15WL-G300 |
| 4" | 4.000 | 3.834 | 15WL-G400 |



Heavy Wall Tank Threaded Bevel Seat Ferrules - 15W

| Tube OD | A | B | C | 304 Stainless Steel Part Number | 316L Stainless Steel Part Number |
|---------|-------|-------|-------|---------------------------------|----------------------------------|
| 1" | 1.500 | .870 | 1.160 | 15W-G100 | 15W-R100 |
| 1½" | 1.625 | 1.370 | 1.676 | 15W-G150 | 15W-R150 |
| 2" | 1.750 | 1.870 | 2.192 | 15W-G200 | 15W-R200 |
| 2½" | 1.750 | 2.370 | 2.708 | 15W-G250 | 15W-R250 |
| 3" | 1.812 | 2.870 | 3.224 | 15W-G300 | 15W-R300 |
| 4" | 2.125 | 3.834 | 4.256 | 15W-G400 | 15W-R400 |



Bevel Seat End Caps

Plain Bevel Seat Solid End Caps - 16A

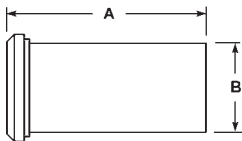
C



| Tube OD | A | 304 Stainless Steel Part Number | 316L Stainless Steel Part Number |
|---------|-------|---------------------------------|----------------------------------|
| 1" | 1.312 | 16A-G100 | 16A-R100 |
| 1½" | 1.843 | 16A-G150 | 16A-R150 |
| 2" | 2.375 | 16A-G200 | 16A-R200 |
| 2½" | 2.906 | 16A-G250 | 16A-R250 |
| 3" | 3.437 | 16A-G300 | 16A-R300 |
| 4" | 4.500 | 16A-G400 | 16A-R400 |

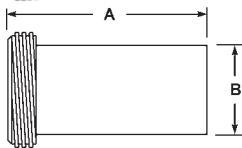
Bevel Seat Adapters

Plain Bevel Seat Tygon® Hose Adapters - 14AHT



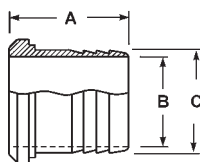
| Tube OD | A | B | 304 Stainless Steel Part Number |
|---------|-------|-------|---------------------------------|
| 1" | 4.688 | 1.000 | 14AHT-G100 |
| 1½" | 4.719 | 1.500 | 14AHT-G150 |
| 2" | 4.719 | 2.000 | 14AHT-G200 |
| 2½" | 4.844 | 2.500 | 14AHT-G250 |
| 3" | 4.906 | 3.000 | 14AHT-G300 |
| 4" | 5.218 | 4.000 | 14AHT-G400 |

Threaded Bevel Seat Tygon® Hose Adapters - 15AHT



| Tube OD | A | B | 304 Stainless Steel Part Number |
|---------|-------|-------|---------------------------------|
| 1" | 4.500 | 1.000 | 15AHT-G100 |
| 1½" | 4.500 | 1.500 | 15AHT-G150 |
| 2" | 4.500 | 2.000 | 15AHT-G200 |
| 2½" | 4.500 | 2.500 | 15AHT-G250 |
| 3" | 4.500 | 3.000 | 15AHT-G300 |
| 4" | 5.000 | 4.000 | 15AHT-G400 |

Plain Bevel Seat Rubber Hose Adapters - 14AHR



| Tube OD | A | B | C | 304 Stainless Steel Part Number |
|---------|-------|-------|-------|---------------------------------|
| 1" | 1.687 | .870 | 1.000 | 14AHR-G100 |
| 1½" | 1.687 | 1.370 | 1.500 | 14AHR-G150 |
| 2" | 2.312 | 1.870 | 2.000 | 14AHR-G200 |
| 2½" | 2.343 | 2.370 | 2.500 | 14AHR-G250 |
| 3" | 3.500 | 2.870 | 3.000 | 14AHR-G300 |
| 4" | 4.000 | 3.834 | 4.000 | 14AHR-G400 |

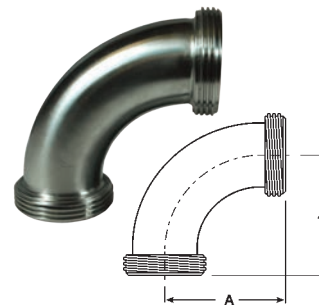
Other types of bevel seat adapters are available call Dixon Sanitary for information



Bevel Seat Elbows

Threaded Bevel Seat x Threaded Bevel Seat 90° Elbows - B2C

| Tube OD | A | 304 Stainless Steel Part Number |
|---------|-------|---------------------------------|
| 1" | 2.218 | B2C-G100 |
| 1½" | 2.968 | B2C-G150 |
| 2" | 3.750 | B2C-G200 |
| 2½" | 4.625 | B2C-G250 |
| 3" | 5.406 | B2C-G300 |
| 4" | 7.031 | B2C-G400 |



C

Threaded Bevel Seat x Plain Bevel Seat with Hex Nut 90° Elbows - B2F

| Tube OD | A | 304 Stainless Steel Part Number |
|---------|-------|---------------------------------|
| 1" | 2.218 | B2F-G100 |
| 1½" | 2.968 | B2F-G150 |
| 2" | 3.750 | B2F-G200 |
| 2½" | 4.625 | B2F-G250 |
| 3" | 5.406 | B2F-G300 |
| 4" | 7.031 | B2F-G400 |



Plain Bevel Seat x Plain Bevel Seat with Hex Nut 90° Elbows - B2E

| Tube OD | A | 304 Stainless Steel Part Number |
|---------|-------|---------------------------------|
| 1" | 2.218 | B2E-G100 |
| 1½" | 2.968 | B2E-G150 |
| 2" | 3.750 | B2E-G200 |
| 2½" | 4.625 | B2E-G250 |
| 3" | 5.406 | B2E-G300 |
| 4" | 7.031 | B2E-G400 |



Threaded Bevel Seat x Plain Bevel Seat with Hex Nut 45° Elbows - B2P

| Tube OD | A | 304 Stainless Steel Part Number |
|---------|-------|---------------------------------|
| 1" | 1.343 | B2P-G100 |
| 1½" | 1.655 | B2P-G150 |
| 2" | 2.000 | B2P-G200 |
| 2½" | 2.437 | B2P-G250 |
| 3" | 2.781 | B2P-G300 |
| 4" | 3.531 | B2P-G400 |



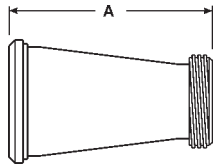
Other types of bevel seat elbows are available call Dixon Sanitary for information



Bevel Seat Reducers

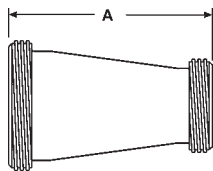
C

3 Plain Bevel Seat x Threaded Bevel Seat Concentric Reducers - B3115F



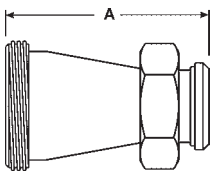
| Tube OD | A | 304 Stainless Steel Part Number |
|----------|-------|---------------------------------|
| 1½" x 1" | 3.436 | B3115F-G150100 |
| 2" x 1½" | 3.468 | B3115F-G200150 |
| 2½" x 2" | 3.625 | B3115F-G250200 |
| 3" x 2" | 5.656 | B3115F-G300200 |
| 3" x 2½" | 3.781 | B3115F-G300250 |
| 4" x 3" | 5.937 | B3115F-G400300 |

3 Threaded Bevel Seat x Threaded Bevel Seat Concentric Reducers - B31TT



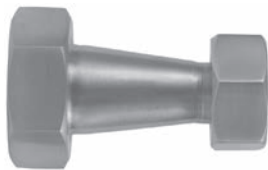
| Tube OD | A | 304 Stainless Steel Part Number |
|----------|-------|---------------------------------|
| 1½" x 1" | 3.436 | B31TT-G150100 |
| 2" x 1½" | 3.468 | B31TT-G200150 |
| 2½" x 2" | 3.625 | B31TT-G250200 |
| 3" x 2" | 5.656 | B31TT-G300200 |
| 3" x 2½" | 3.781 | B31TT-G300250 |
| 4" x 3" | 5.937 | B31TT-G400300 |

3 Threaded Bevel Seat x Plain Bevel Seat with Hex Nut Concentric Reducers - B31TP



| Tube OD | A | 304 Stainless Steel Part Number |
|----------|-------|---------------------------------|
| 1½" x 1" | 3.436 | B31TP-G150100 |
| 2" x 1½" | 3.468 | B31TP-G200150 |
| 2½" x 2" | 3.625 | B31TP-G250200 |
| 3" x 2" | 5.656 | B31TP-G300200 |
| 3" x 2½" | 3.781 | B31TP-G300250 |
| 4" x 3" | 5.937 | B31TP-G400300 |

Other types of bevel seat reducers are available call Dixon Sanitary for information



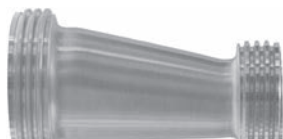
B3114F



B3215F



B3214F



Sanitary Breakaway Bevel Seat Version



C

Application:

- Minimizes spillage and damage associated with pull away and drive away incidents

Features:

- designed to be installed between a fixed point and a hose
- coupling breaks away with an excessive load
- EPDM standard clamp gasket, optional material available
- working pressure: **350 PSI @ 70°F**
- 13kN break load bolts standard, other break loads available
- 316 stainless steel polished to standard <math><32R_a</math>, 3A finish

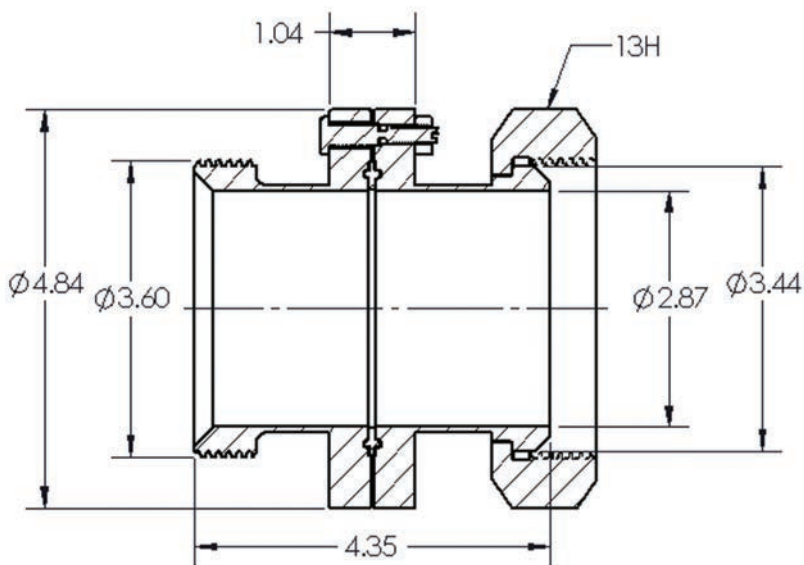


Bevel Seat End

Part Number

SBC-E300TP13

Dimensions



Call Toll Free: 1-866-711-4673
International: +1-727-342-5086



Miscellaneous Bevel Seat Configurations

Other types of bevel seat configurations are available call Dixon Sanitary for information

C



B7



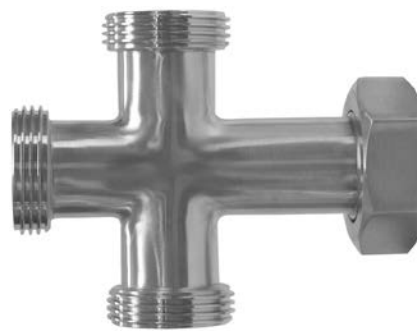
B7A



B7B



B9



B9A



B28A

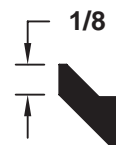


B28B

Bevel Seat Gaskets

Buna-N Bevel Seat Gaskets - *Black*

| Size | Part Number |
|------|------------------|
| 1" | 40BS-O100 |
| 1½" | 40BS-O150 |
| 2" | 40BS-O200 |
| 2½" | 40BS-O250 |
| 3" | 40BS-O300 |
| 4" | 40BS-O400 |



Features:

- color code: red dot
- meets 21CFR 177.2600

C

Buna-N Flat Bevel Seat Gaskets - *Black*

| Size | Part Number |
|------|------------------|
| 1" | 40BS-F100 |
| 1½" | 40BS-F150 |
| 2" | 40BS-F200 |
| 2½" | 40BS-F250 |
| 3" | 40BS-F300 |
| 4" | 40BS-F400 |

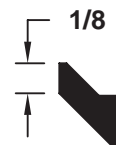


Feature:

- color code: red dot
- meets 21CFR 177.2600

EPDM Bevel Seat Gaskets - *Black*

| Size | Part Number |
|------|------------------|
| 1" | 40BS-E100 |
| 1½" | 40BS-E150 |
| 2" | 40BS-E200 |
| 2½" | 40BS-E250 |
| 3" | 40BS-E300 |
| 4" | 40BS-E400 |

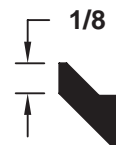


Features:

- color code: three green dots
- peroxide cured
- meets 21CFR 177.2600
- passed U.S.P. Class VI Cytotoxicity testing

FKM Bevel Seat Gaskets - *Black*

| Size | Part Number |
|------|------------------|
| 1" | 40BS-Y100 |
| 1½" | 40BS-Y150 |
| 2" | 40BS-Y200 |
| 2½" | 40BS-Y250 |
| 3" | 40BS-Y300 |
| 4" | 40BS-Y400 |

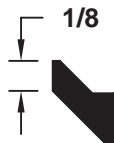


Features:

- color code: one white dot and one yellow dot
- peroxide cured
- meets 21CFR 177.2600
- passed U.S.P. Class VI Cytotoxicity testing

Bevel Seat Gaskets

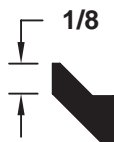
Silicone Bevel Seat Gaskets - *White*


Features:

- color code: no dot
- peroxide cured
- meets 21CFR 177.2600
- passed U.S.P. Class VI Cytotoxicity testing

| Size | Part Number |
|------|------------------|
| 1" | 40BS-X100 |
| 1½" | 40BS-X150 |
| 2" | 40BS-X200 |
| 2½" | 40BS-X250 |
| 3" | 40BS-X300 |
| 4" | 40BS-X400 |

PTFE Bevel Seat Gaskets - *White*


Features:

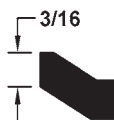
- color code: no dot
- meets 21CFR 177.1550
- passed U.S.P. Class VI Cytotoxicity testing

| Size | Part Number |
|------|------------------|
| 1" | 40BS-S100 |
| 1½" | 40BS-S150 |
| 2" | 40BS-S200 |
| 2½" | 40BS-S250 |
| 3" | 40BS-S300 |
| 4" | 40BS-S400 |



PTFE is a material subject to plastic flow. When cycled through heat and then cooled down in process lines, PTFE gaskets will not return to the original configuration and it will continue to compress as the cycling continues. This plastic flow will allow leakage if clamp torques are not maintained.

Heavy PTFE Bevel Seat Gaskets - *White*


Features:

- color code: no dot
- meets 21CFR 177.1550
- passed U.S.P. Class VI Cytotoxicity testing

| Size | Part Number |
|------|------------------|
| 1" | 40BS-H100 |
| 1½" | 40BS-H150 |
| 2" | 40BS-H200 |
| 2½" | 40BS-H250 |
| 3" | 40BS-H300 |
| 4" | 40BS-H400 |



PTFE is a material subject to plastic flow. When cycled through heat and then cooled down in process lines, PTFE gaskets will not return to the original configuration and it will continue to compress as the cycling continues. This plastic flow will allow leakage if clamp torques are not maintained.

Dixon Sanitary John Perry Fittings



A Complete John Perry Connection

Product Specifications

Size range:

- 1" - 4" OD tube

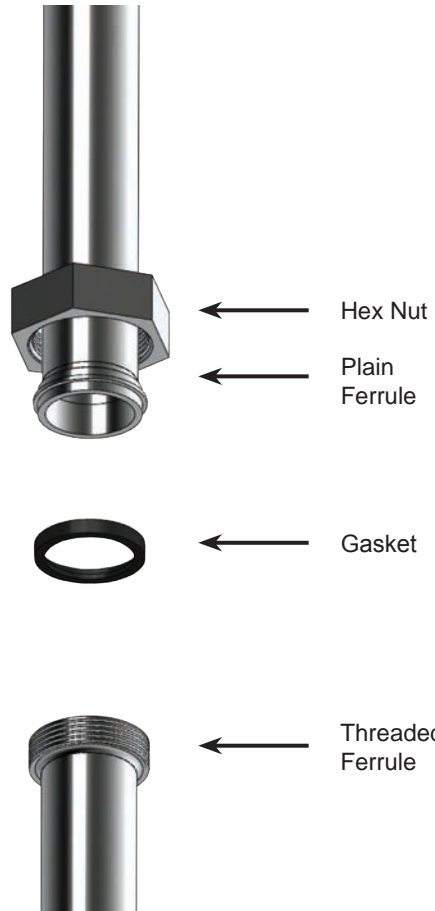
Materials:

- G = 304 stainless steel
- R = 316L stainless steel
- other alloys are available

Finish:

- 3A sanitary finish ID and OD

D



Dimensions of stainless steel tube given in inches

| Tube OD | Nominal Wall Thickness (inches) | Gage Number |
|---------|---------------------------------|-------------|
| 1" | .065 | 16 |
| 1½" | .065 | 16 |
| 2" | .065 | 16 |
| 2½" | .065 | 16 |
| 3" | .065 | 16 |
| 4" | .083 | 14 |

Index

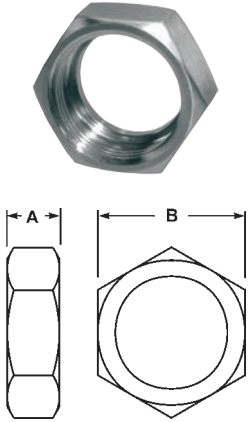
| | | | |
|----------------|----|---------------------|----|
| Nuts | 56 | Caps | 58 |
| Wrenches | 56 | Miscellaneous | 58 |
| Ferrules | 57 | Gaskets | 59 |

John Perry Nuts

Union Hex Nuts - 13H

Feature:

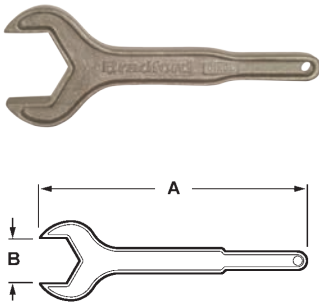
- 400 PSI maximum



| Tube OD | A | B | 304 Stainless Steel (CF8) Part Number |
|---------|-------|-------|--|
| 1" | .906 | 1.812 | 13H-G100 |
| 1½" | .968 | 2.406 | 13H-G150 |
| 2" | 1.062 | 3.000 | 13H-G200 |
| 2½" | 1.187 | 3.594 | 13H-G250 |
| 3" | 1.281 | 4.188 | 13H-G300 |
| 4" | 1.500 | 5.438 | 13H-G400 |

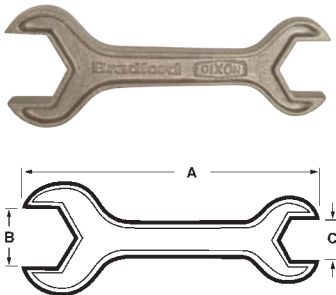
John Perry Wrenches

Single Side Hex Wrenches - 25H



| Tube OD | A | B | Weight lbs. | Aluminum Part Number |
|---------|--------|-------|-------------|-------------------------|
| 1" | 10.500 | 1.812 | .64 | 25H-100 |
| 1½" | 12.000 | 2.406 | .86 | 25H-150 |
| 2" | 14.000 | 3.000 | 1.76 | 25H-200 |
| 2½" | 16.250 | 3.594 | 2.40 | 25H-250 |
| 3" | 18.500 | 4.188 | 3.04 | 25H-300 |
| 4" | 19.500 | 5.438 | 3.62 | 25H-400 |

Two Sided Hex Wrenches - 25H

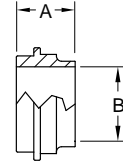


| Tube OD | A | B | C | Weight lbs. | Aluminum Part Number |
|----------|--------|-------|-------|-------------|-------------------------|
| 1½" x 1" | 12.000 | 2.406 | 1.812 | 1.00 | 25H-150100 |
| 2" x 1½" | 14.000 | 3.000 | 2.406 | 1.75 | 25H-200150 |
| 2½" x 2" | 16.500 | 3.594 | 3.000 | 2.80 | 25H-250200 |
| 3" x 2" | 18.000 | 4.188 | 3.000 | 3.20 | 25H-300200 |
| 3" x 2½" | 18.000 | 4.188 | 3.594 | 3.70 | 25H-300250 |

John Perry Ferrules

John Perry Short Plain Weld Ferrules - 14PRFJP 

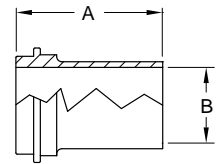
| Tube OD | A | B | 304 Stainless Steel Part Number | 316L Stainless Steel Part Number |
|---------|-------|-------|---------------------------------|----------------------------------|
| 1" | .719 | .870 | 14PRFJP-G100 | 14PRFJP-R100 |
| 1½" | .719 | 1.370 | 14PRFJP-G150 | 14PRFJP-R150 |
| 2" | .750 | 1.870 | 14PRFJP-G200 | 14PRFJP-R200 |
| 2½" | .875 | 2.370 | 14PRFJP-G250 | 14PRFJP-R250 |
| 3" | .906 | 2.870 | 14PRFJP-G300 | 14PRFJP-R300 |
| 4" | 1.031 | 3.834 | 14PRFJP-G400 | 14PRFJP-R400 |



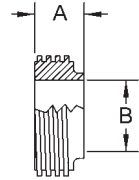
D

John Perry Long Plain Weld Ferrules - L14AJP 

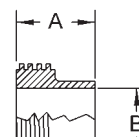
| Tube OD | A | B | 304 Stainless Steel Part Number | 316L Stainless Steel Part Number |
|---------|-------|-------|---------------------------------|----------------------------------|
| 1" | 1.375 | .870 | L14AJP-G100 | L14AJP-R100 |
| 1½" | 1.500 | 1.370 | L14AJP-G150 | L14AJP-R150 |
| 2" | 1.500 | 1.870 | L14AJP-G200 | L14AJP-R200 |
| 2½" | 1.750 | 2.370 | L14AJP-G250 | L14AJP-R250 |
| 3" | 1.750 | 2.870 | L14AJP-G300 | L14AJP-R300 |
| 4" | 1.750 | 3.834 | L14AJP-G400 | L14AJP-R400 |

John Perry Threaded Short Weld Ferrules - 15TRFJP 

| Tube OD | A | B | 304 Stainless Steel Part Number | 316L Stainless Steel Part Number |
|---------|-------|-------|---------------------------------|----------------------------------|
| 1" | .719 | .870 | 15TRFJP-G100 | 15TRFJP-R100 |
| 1½" | .719 | 1.370 | 15TRFJP-G150 | 15TRFJP-R150 |
| 2" | .750 | 1.870 | 15TRFJP-G200 | 15TRFJP-R200 |
| 2½" | .875 | 2.370 | 15TRFJP-G250 | 15TRFJP-R250 |
| 3" | .906 | 2.870 | 15TRFJP-G300 | 15TRFJP-R300 |
| 4" | 1.031 | 3.834 | 15TRFJP-G400 | 15TRFJP-R400 |

John Perry Threaded Long Weld Ferrules - L15AJP 

| Tube OD | A | B | 304 Stainless Steel Part Number | 316L Stainless Steel Part Number |
|---------|-------|-------|---------------------------------|----------------------------------|
| 1" | 1.375 | .870 | L15AJP-G100 | L15AJP-R100 |
| 1½" | 1.500 | 1.370 | L15AJP-G150 | L15AJP-R150 |
| 2" | 1.500 | 1.870 | L15AJP-G200 | L15AJP-R200 |
| 2½" | 1.750 | 2.370 | L15AJP-G250 | L15AJP-R250 |
| 3" | 1.750 | 2.870 | L15AJP-G300 | L15AJP-R300 |
| 4" | 1.750 | 3.834 | L15AJP-G400 | L15AJP-R400 |

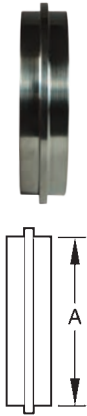


John Perry End Caps

3 John Perry Solid End Caps - 16AJP

| Tube OD | A | 304 Stainless Steel Part Number | 316L Stainless Steel Part Number |
|---------|-------|---------------------------------|----------------------------------|
| 1" | 1.125 | 16AJP-G100 | 16AJP-R100 |
| 1½" | 1.656 | 16AJP-G150 | 16AJP-R150 |
| 2" | 2.187 | 16AJP-G200 | 16AJP-R200 |
| 2½" | 2.656 | 16AJP-G250 | 16AJP-R250 |
| 3" | 3.187 | 16AJP-G300 | 16AJP-R300 |
| 4" | 4.187 | 16AJP-G400 | 16AJP-R400 |

D

Miscellaneous John **Perry Configurations**

Other types of John Perry configurations are available call Dixon Sanitary for information



B2CJP



B2PJP



B2EJP



B7JP



B3115FJP



B3114FJP



B31TPJP



B7AJP



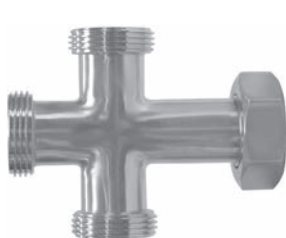
B3215FJP



B3214FJP



B32TPJP



GOODYEAR
GOODYEARBELTING.COM

Call Toll Free: 1-866-711-4673
International: +1-727-342-5086

**We Ship
World Wide**

John Perry Gaskets

Buna 80 Duro John Perry Gaskets

| Size | Part Number |
|------|------------------|
| 1" | 40JP-U100 |
| 1½" | 40JP-U150 |
| 2" | 40JP-U200 |
| 2½" | 40JP-U250 |
| 3" | 40JP-U300 |
| 4" | 40JP-U400 |



D

Features:

- color code: one red dot
- meets 21CFR 177.2600

EPDM John Perry Gaskets

| Size | Part Number |
|------|------------------|
| 1" | 40JP-E100 |
| 1½" | 40JP-E150 |
| 2" | 40JP-E200 |
| 2½" | 40JP-E250 |
| 3" | 40JP-E300 |
| 4" | 40JP-E400 |


Features:

- color code: three green dots
- peroxide cured
- meets 21CFR 177.2600
- passed U.S.P. Class VI Cytotoxicity testing

FKM John Perry Gaskets

| Size | Part Number |
|------|--------------------|
| 1" | 40JP-SFY100 |
| 1½" | 40JP-SFY150 |
| 2" | 40JP-SFY200 |
| 2½" | 40JP-SFY250 |
| 3" | 40JP-SFY300 |
| 4" | 40JP-SFY400 |


Features:

- color code: one white dot and one yellow dot
- peroxide cured
- meets 21CFR 177.2600
- passed U.S.P. Class VI Cytotoxicity testing

Virgin PTFE John Perry Gaskets

| Size | Part Number |
|------|------------------|
| 1" | 40JP-G100 |
| 1½" | 40JP-G150 |
| 2" | 40JP-G200 |
| 2½" | 40JP-G250 |
| 3" | 40JP-G300 |
| 4" | 40JP-G400 |


Features:

- color code: no dot
- meets 21CFR 177.1550
- passed U.S.P. Class VI Cytotoxicity testing



PTFE is a material subject to plastic flow. When cycled through heat and then cooled down in process lines, PTFE gaskets will not return to the original configuration and it will continue to compress as the cycling continues. This plastic flow will allow leakage if clamp torques are not maintained.

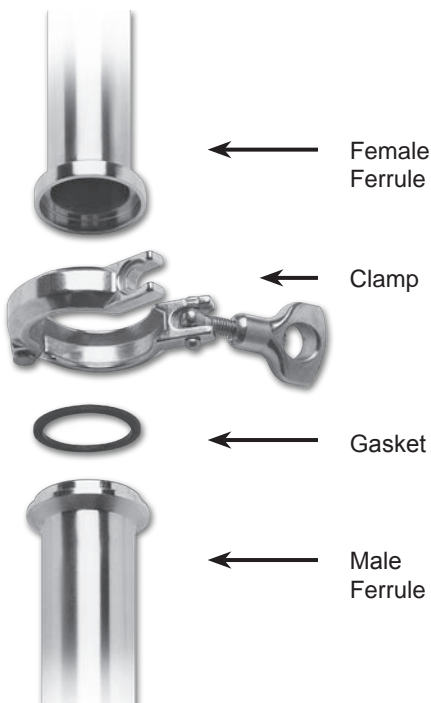


Dixon Sanitary I-line & Q-Line Fittings

A Complete I-line Connection

Product Specifications

E



Size range:

- 1" - 8" OD tube I-line*
- 1" - 4" OD tube Q-Line

* stock items to 4", 6" & 8" items are special order

Materials:

- G = 304 stainless steel
- R = 316L stainless steel
- other alloys are available

Finish:

- 3A sanitary finish ID and OD

Dimensions of stainless steel tube given in inches

| Tube OD | Nominal Wall Thickness (inches) | Gage Number |
|---------|---------------------------------|-------------|
| 1" | .065 | 16 |
| 1½" | .065 | 16 |
| 2" | .065 | 16 |
| 2½" | .065 | 16 |
| 3" | .065 | 16 |
| 4" | .083 | 14 |
| 6" | .109 | 12 |
| 8" | .120 | 10 |

Index

Clamps: I-line & Q-Line 61
 I-line Ferrules..... 62-63
 Q-Line Ferrules..... 64
 Caps I-line & Q-Line 64
 I-line Adapters..... 65

I-line Elbows 66
 Miscellaneous..... 67
 I-line Gaskets..... 68-69
 Q-Line Gaskets..... 69



Call Toll Free: 1-866-711-4673
International: + 1-727-342-5086



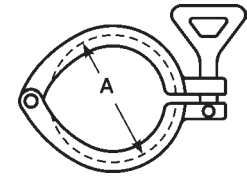
I-line/Q-Line Clamps

Heavy Duty Clamps - 13ILH

- Q-Line service pressure rating for all sizes: **150 PSI @ 70°F** and **125 PSI @ 250°F**

| Tube OD | Service Pressure Rating @ 70°F ¹ | Service Pressure Rating @ 250°F ¹ | A | Part Number |
|----------|---|--|-------|---------------------|
| 1" - 1½" | 700 | 250 | 2.122 | 13ILH100-150 |
| 2" | 450 | 250 | 2.654 | 13ILH200 |
| 2½" | 450 | 200 | 3.185 | 13ILH250 |
| 3" | 350 | 150 | 3.717 | 13ILH300 |
| 4" | 200 | 125 | 4.820 | 13ILH400 |
| 6" | 150 | 100 | 7.689 | 13ILH600 |
| 8" | 125 | 75 | 9.689 | 13ILH800 |

¹ wing nut tightened to 25 in. lb. of torque



E

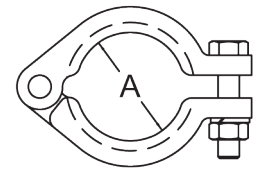
Bolted Clamps - 13ILB

| Tube OD | Service Pressure Rating @ 70°F ¹ | Service Pressure Rating @ 250°F ¹ | A | Part Number |
|----------|---|--|-------|---------------------|
| 1" - 1½" | 1220 | 1100 | 2.122 | 13ILB100-150 |
| 2" | 900 | 830 | 2.654 | 13ILB200 |
| 2½" | 720 | 660 | 3.185 | 13ILB250 |
| 3" | 600 | 550 | 3.717 | 13ILB300 |
| 4" | 570 | 525 | 4.820 | 13ILB400 |

¹ nut tightened to 20 ft. lb. of torque

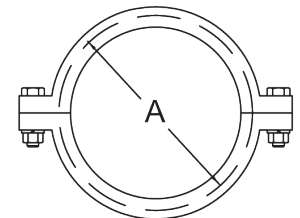


1" - 4"



| Tube OD | Service Pressure Rating @ 70°F ¹ | Service Pressure Rating @ 250°F ¹ | A | Part Number |
|---------|---|--|-------|-----------------|
| 6" | 300 | 200 | 7.689 | 13ILB600 |
| 8" | 250 | 150 | 9.689 | 13ILB800 |

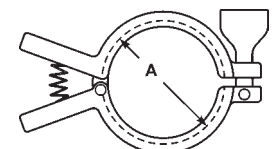
¹ nut tightened to 20 ft. lb. of torque



Squeeze Clamps - 13IL-Q

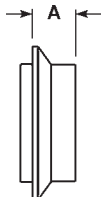
| Tube OD | Service Pressure Rating @ 70°F ¹ | Service Pressure Rating @ 250°F ¹ | A | Part Number |
|----------|---|--|-------|---------------------|
| 1" - 1½" | 700 | 250 | 2.122 | 13IL-Q100150 |
| 2" | 450 | 250 | 2.654 | 13IL-Q200 |

¹ wing nut tightened to 25 in. lb. of torque



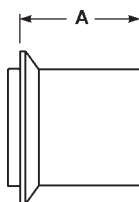
I-line/Q-Line Ferrules

3 Male I-Line Short Weld Ferrules - 14WI



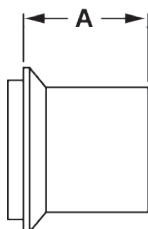
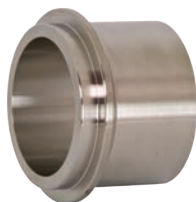
| Tube OD | A | 304 Stainless Steel Part Number | 316L Stainless Steel Part Number |
|---------|-------|---------------------------------|----------------------------------|
| 1" | .600 | 14WI-G100 | 14WI-R100 |
| 1½" | .765 | 14WI-G150 | 14WI-R150 |
| 2" | .790 | 14WI-G200 | 14WI-R200 |
| 2½" | .848 | 14WI-G250 | 14WI-R250 |
| 3" | .906 | 14WI-G300 | 14WI-R300 |
| 4" | 1.031 | 14WI-G400 | 14WI-R400 |
| 6" | .940 | --- | 14WI-R600 |
| 8" | .940 | --- | 14WI-R800 |

3 Male I-Line Long Weld Ferrules - 14WLI



| Tube OD | A | 304 Stainless Steel Part Number | 316L Stainless Steel Part Number |
|---------|-------|---------------------------------|----------------------------------|
| 1" | 1.562 | 14WLI-G100 | 14WLI-R100 |
| 1½" | 1.843 | 14WLI-G150 | 14WLI-R150 |
| 2" | 2.062 | 14WLI-G200 | 14WLI-R200 |
| 2½" | 2.188 | 14WLI-G250 | 14WLI-R250 |
| 3" | 2.375 | 14WLI-G300 | 14WLI-R300 |
| 4" | 2.688 | 14WLI-G400 | 14WLI-R400 |
| 6" | 2.688 | --- | 14WLI-R600 |

3 Male I-Line Heavy Wall Tank Weld Ferrules - 14WHI



| Tube OD | A | 304 Stainless Steel Part Number | 316L Stainless Steel Part Number |
|---------|-------|---------------------------------|----------------------------------|
| 1" | 1.312 | 14WHI-G100 | 14WHI-R100 |
| 1½" | 1.457 | 14WHI-G150 | 14WHI-R150 |
| 2" | 1.500 | 14WHI-G200 | 14WHI-R200 |
| 2½" | 1.437 | 14WHI-G250 | 14WHI-R250 |
| 3" | 1.500 | 14WHI-G300 | 14WHI-R300 |
| 4" | 1.812 | 14WHI-G400 | 14WHI-R400 |

E

I-line/Q-Line Ferrules

Female I-Line Short Weld Ferrules - 15WI 

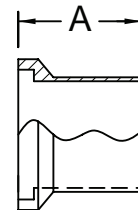
| Tube OD | A | 304 Stainless Steel Part Number | 316L Stainless Steel Part Number |
|---------|-------|---------------------------------|----------------------------------|
| 1" | .785 | 15WI-G100 | 15WI-R100 |
| 1½" | .950 | 15WI-G150 | 15WI-R150 |
| 2" | 1.040 | 15WI-G200 | 15WI-R200 |
| 2½" | 1.160 | 15WI-G250 | 15WI-R250 |
| 3" | 1.220 | 15WI-G300 | 15WI-R300 |
| 4" | 1.350 | 15WI-G400 | 15WI-R400 |
| 6" | 1.125 | --- | 15WI-R600 |
| 8" | 1.125 | --- | 15WI-R800 |



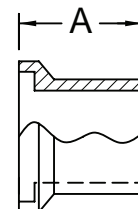
E

Female I-Line Long Weld Ferrules - 15WLI 

| Tube OD | A | 304 Stainless Steel Part Number | 316L Stainless Steel Part Number |
|---------|-------|---------------------------------|----------------------------------|
| 1" | 1.750 | 15WLI-G100 | 15WLI-R100 |
| 1½" | 2.031 | 15WLI-G150 | 15WLI-R150 |
| 2" | 2.312 | 15WLI-G200 | 15WLI-R200 |
| 2½" | 2.500 | 15WLI-G250 | 15WLI-R250 |
| 3" | 2.688 | 15WLI-G300 | 15WLI-R300 |
| 4" | 3.000 | 15WLI-G400 | 15WLI-R400 |
| 6" | 3.000 | --- | 15WLI-R600 |

Female I-Line Heavy Wall Tank Weld Ferrules - 15WHI 

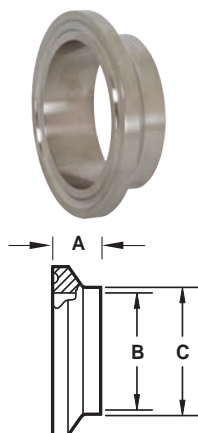
| Tube OD | A | 304 Stainless Steel Part Number | 316L Stainless Steel Part Number |
|---------|-------|---------------------------------|----------------------------------|
| 1" | 1.500 | 15WHI-G100 | 15WHI-R100 |
| 1½" | 1.625 | 15WHI-G150 | 15WHI-R150 |
| 2" | 1.750 | 15WHI-G200 | 15WHI-R200 |
| 2½" | 1.750 | 15WHI-G250 | 15WHI-R250 |
| 3" | 1.812 | 15WHI-G300 | 15WHI-R300 |
| 4" | 2.125 | 15WHI-G400 | 15WHI-R400 |



I-line/Q-Line Ferrules


 Q-Line Weld Ferrules - 14WQ

| Tube OD | A | B | C | 304 Stainless Steel Part Number |
|---------|-------|-------|-------|---------------------------------|
| 1" | .531 | .870 | 1.000 | 14WQ-G100 |
| 1½" | .563 | 1.370 | 1.500 | 14WQ-G150 |
| 2" | .813 | 1.870 | 2.000 | 14WQ-G200 |
| 2½" | .938 | 2.370 | 2.500 | 14WQ-G250 |
| 3" | .938 | 2.870 | 3.000 | 14WQ-G300 |
| 4" | 1.000 | 3.834 | 4.000 | 14WQ-G400 |

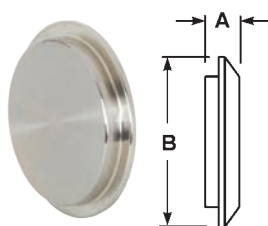


E

I-line/Q-Line End Caps

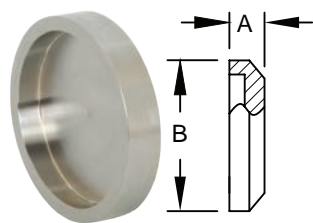

 Male I-Line Solid End Caps - 16AI-14I

| Tube OD | A | B | 304 Stainless Steel Part Number | 316L Stainless Steel Part Number |
|---------|------|-------|---------------------------------|----------------------------------|
| 1" | .500 | 1.985 | 16AI-14I100 | 16AI-14I100R |
| 1½" | .500 | 1.985 | 16AI-14I150 | 16AI-14I150R |
| 2" | .562 | 2.640 | 16AI-14I200 | 16AI-14I200R |
| 2½" | .750 | 3.307 | 16AI-14I250 | 16AI-14I250R |
| 3" | .750 | 3.870 | 16AI-14I300 | 16AI-14I300R |
| 4" | .750 | 4.870 | 16AI-14I400 | 16AI-14I400R |
| 6" | .750 | 7.495 | 16AI-14I600 | 16AI-14I600R |
| 8" | .880 | 9.495 | --- | 16AI-14I800R |



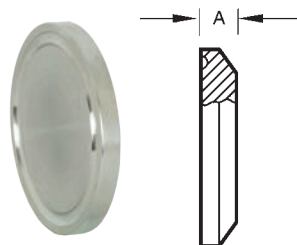
 Female I-Line Solid End Caps - 16AI-15I

| Tube OD | A | B | 304 Stainless Steel Part Number | 316L Stainless Steel Part Number |
|---------|------|-------|---------------------------------|----------------------------------|
| 1" | .500 | 1.985 | 16AI-15I100 | 16AI-15I100R |
| 1½" | .500 | 1.985 | 16AI-15I150 | 16AI-15I150R |
| 2" | .562 | 2.640 | 16AI-15I200 | 16AI-15I200R |
| 2½" | .750 | 3.307 | 16AI-15I250 | 16AI-15I250R |
| 3" | .750 | 3.870 | 16AI-15I300 | 16AI-15I300R |
| 4" | .750 | 4.870 | 16AI-15I400 | 16AI-15I400R |
| 6" | .750 | 7.495 | 16AI-15I600 | 16AI-15I600R |
| 8" | .880 | 9.495 | --- | 16AI-15I800R |



 Q-Line Solid End Caps - 16AQ

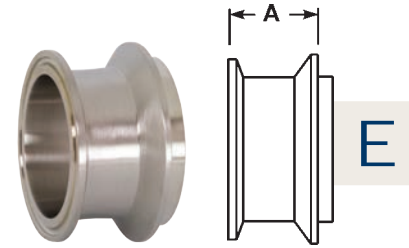
| Tube OD | A | 304 Stainless Steel Part Number |
|---------|------|---------------------------------|
| 1" | .313 | 16AQ-G100 |
| 1½" | .313 | 16AQ-G150 |
| 2" | .438 | 16AQ-G200 |
| 2½" | .500 | 16AQ-G250 |
| 3" | .500 | 16AQ-G300 |
| 4" | .625 | 16AQ-G400 |



I-line/Q-Line Adapters

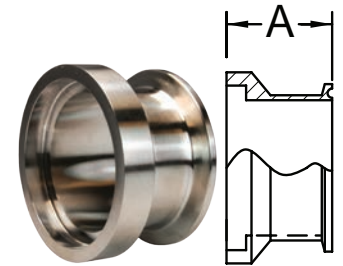
Male I-Line x Clamp Adapters - 17-14I-14MP

| Tube OD | A | 304 Stainless Steel Part Number |
|---------|-------|---------------------------------|
| 1" | 1.093 | 17-14I-14MPG100 |
| 1½" | 1.265 | 17-14I-14MPG150 |
| 2" | 1.290 | 17-14I-14MPG200 |
| 2½" | 1.312 | 17-14I-14MPG250 |
| 3" | 1.406 | 17-14I-14MPG300 |
| 4" | 1.656 | 17-14I-14MPG400 |



Female I-Line x Clamp Adapters - 17-15I-14MP

| Tube OD | A | 304 Stainless Steel Part Number |
|---------|-------|---------------------------------|
| 1" | 1.281 | 17-15I-14MPG100 |
| 1½" | 1.450 | 17-15I-14MPG150 |
| 2" | 1.540 | 17-15I-14MPG200 |
| 2½" | 1.625 | 17-15I-14MPG250 |
| 3" | 1.718 | 17-15I-14MPG300 |
| 4" | 1.968 | 17-15I-14MPG400 |



Other types of I-line adapters are available call Dixon Sanitary for information



17-14I-15



17-14I-14



17-14I-14I



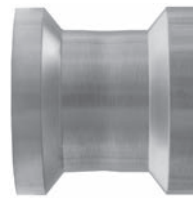
14HRI



17-15I-15



17-15I-14



17-15I-15I



15HRI



I-line/Q-Line Elbows


 3 90° Female I-Line x Male I-Line Elbows - B2FI

| Tube OD | A | B | 304 Stainless Steel Part Number |
|---------|-------|-------|---------------------------------|
| 1" | 2.281 | 2.093 | B2FI-G100 |
| 1½" | 3.188 | 3.000 | B2FI-G150 |
| 2" | 4.031 | 3.781 | B2FI-G200 |
| 2½" | 4.906 | 4.593 | B2FI-G250 |
| 3" | 5.718 | 5.406 | B2FI-G300 |
| 4" | 7.344 | 7.031 | B2FI-G400 |


 3 90° Female I-Line Elbows - B2CI

| Tube OD | A | 304 Stainless Steel Part Number |
|---------|-------|---------------------------------|
| 1" | 2.281 | B2CI-G100 |
| 1½" | 3.188 | B2CI-G150 |
| 2" | 4.031 | B2CI-G200 |
| 2½" | 4.906 | B2CI-G250 |
| 3" | 5.718 | B2CI-G300 |
| 4" | 7.344 | B2CI-G400 |


 3 90° Male I-Line Elbows - B2EI

| Tube OD | A | 304 Stainless Steel Part Number |
|---------|-------|---------------------------------|
| 1" | 2.093 | B2EI-G100 |
| 1½" | 3.000 | B2EI-G150 |
| 2" | 3.781 | B2EI-G200 |
| 2½" | 4.593 | B2EI-G250 |
| 3" | 5.406 | B2EI-G300 |
| 4" | 7.031 | B2EI-G400 |

Other types of I-line elbows are available call Dixon Sanitary for information



Miscellaneous I-line/Q-Line Configurations

Other types of I-line configurations are available call Dixon Sanitary for information



28BI



28AI



B9I

E



B7HI



B7I



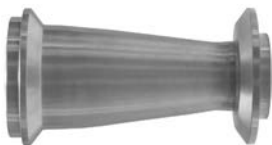
B7EI



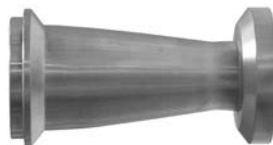
B7AI



B7BI



3114I14I



3114I15I



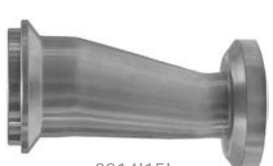
3115I14I



3115I15I



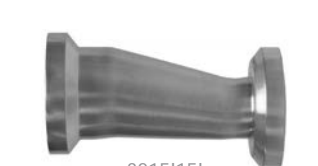
3214I14I



3214I15I



3215I14I



3215I15I

I-line Gaskets

Buna-N I-Line Gaskets - *Black 3/32"*

E

Features:

- color code: red dot
- meets 21CFR 177.2600

| Size | Part Number |
|------|----------------|
| 1" | 40IH100 |
| 1½" | 40IH150 |
| 2" | 40IH200 |
| 2½" | 40IH250 |
| 3" | 40IH300 |
| 4" | 40IH400 |
| 6" | 40IH600 |
| 8" | 40IH800 |

EPDM I-Line Gaskets - *White 3/32"***Features:**

- color code: three green dots
- peroxide cured
- meets 21CFR 177.2600
- passed U.S.P. Class VI Cytotoxicity testing

| Size | Part Number |
|------|----------------|
| 1" | 40IE100 |
| 1½" | 40IE150 |
| 2" | 40IE200 |
| 2½" | 40IE250 |
| 3" | 40IE300 |
| 4" | 40IE400 |
| 6" | 40IE600 |
| 8" | 40IE800 |

EPDM I-Line Gaskets - *White 1/16"***Features:**

- color code: three green dots
- peroxide cured
- meets 21CFR 177.2600
- passed U.S.P. Class VI Cytotoxicity testing

| Size | Part Number |
|------|------------------|
| 1" | 40IE10016 |
| 1½" | 40IE15016 |
| 2" | 40IE20016 |
| 2½" | 40IE25016 |
| 3" | 40IE30016 |
| 4" | 40IE40016 |
| 6" | 40IE60016 |
| 8" | 40IE80016 |

FKM I-Line Gaskets - *1/16"***Features:**

- color code: one white dot and one yellow dot
- peroxide cured
- meets 21CFR 177.1550
- passed U.S.P. Class VI Cytotoxicity testing

| Size | Part Number |
|------|----------------|
| 1" | 40IV100 |
| 1½" | 40IV150 |
| 2" | 40IV200 |
| 2½" | 40IV250 |
| 3" | 40IV300 |
| 4" | 40IV400 |
| 6" | 40IV600 |
| 8" | 40IV800 |

I-line Gaskets

PTFE I-Line Gaskets - 1/16"

| Size | Part Number |
|------|----------------|
| 1" | 40IT100 |
| 1½" | 40IT150 |
| 2" | 40IT200 |
| 2½" | 40IT250 |
| 3" | 40IT300 |
| 4" | 40IT400 |
| 6" | 40IT600 |
| 8" | 40IT800 |


Features:

- color code: no dot
- meets 21CFR 177.1550
- passed U.S.P. Class VI Cytotoxicity testing



PTFE is a material subject to plastic flow. When cycled through heat and then cooled down in process lines, PTFE gaskets will not return to the original configuration and it will continue to compress as the cycling continues. This plastic flow will allow leakage if clamp torques are not maintained.

E

Q-Line Gaskets

Buna-N Q-Line Gaskets - *Black*

| Size | Part Number |
|------|----------------|
| 1" | 40QH100 |
| 1½" | 40QH150 |
| 2" | 40QH200 |
| 2½" | 40QH250 |
| 3" | 40QH300 |
| 4" | 40QH400 |


Features:

- color code: red dot
- meets 21CFR 177.2600

PTFE Q-Line Gaskets - *White*

| Size | Part Number |
|------|----------------|
| 1" | 40QT100 |
| 1½" | 40QT150 |
| 2" | 40QT200 |
| 2½" | 40QT250 |
| 3" | 40QT300 |
| 4" | 40QT400 |


Features:

- color code: no dot
- meets 21CFR 177.1550
- passed U.S.P. Class VI Cytotoxicity testing



PTFE is a material subject to plastic flow. When cycled through heat and then cooled down in process lines, PTFE gaskets will not return to the original configuration and it will continue to compress as the cycling continues. This plastic flow will allow leakage if clamp torques are not maintained.

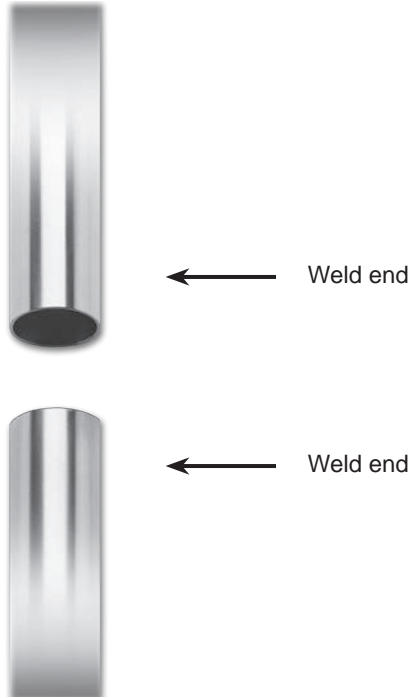


Dixon Sanitary Polished Weld Fittings

A Complete Weld Connection

Product Specifications

F



Size range:

- ½" - 12" OD tube

Materials:

- G = 304 stainless steel
- R = 316L stainless steel
- other alloys are available

Finish:

- 3A sanitary finish ID and OD
- #3, #5 and electropolish finishes are available

Dimensions of stainless steel tube given in inches

| Tube OD | Nominal Wall Thickness (inches) | Gage Number |
|---------|---------------------------------|-------------|
| ½" | .065 | 16 |
| ¾" | .065 | 16 |
| 1" | .065 | 16 |
| 1½" | .065 | 16 |
| 2" | .065 | 16 |
| 2½" | .065 | 16 |
| 3" | .065 | 16 |
| 4" | .083 | 14 |
| 6" | .109 | 12 |
| 8" | .120 | 10 |
| 10" | .109 | 12 |
| 12" | .120 | 10 |

Index

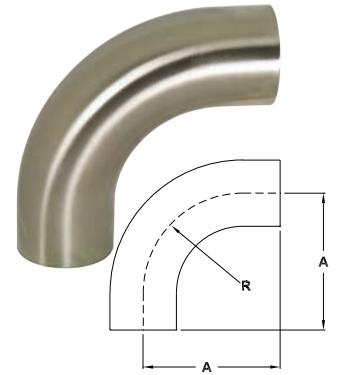
Elbows 71-73
 Sweep Elbows 74
 Tees 74-75
 Adapters 76

Reducers 76-77
 Quick Weld Ferrules 78
 Miscellaneous 78-79

Weld Elbows

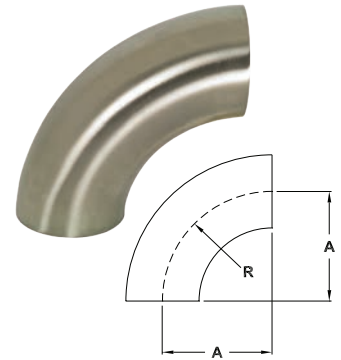
Polished 90° Weld Elbows with Tangents - B2S

| Tube OD | A | R | Nominal Wall | 304 Stainless Steel Part Number | 316L Stainless Steel Part Number |
|---------|-------|-------|--------------|---------------------------------|----------------------------------|
| ½" | 3.000 | 1.125 | .065 | --- | B2S-R50P |
| ¾" | 3.000 | 1.125 | .065 | --- | B2S-R75P |
| 1" | 2.062 | 1.500 | .065 | B2S-G100P | B2S-R100P |
| 1½" | 2.937 | 2.250 | .065 | B2S-G150P | B2S-R150P |
| 2" | 4.062 | 3.000 | .065 | B2S-G200P | B2S-R200P |
| 2½" | 5.187 | 3.750 | .065 | B2S-G250P | B2S-R250P |
| 3" | 6.312 | 4.500 | .065 | B2S-G300P | B2S-R300P |
| 4" | 8.312 | 6.000 | .083 | B2S-G400P | B2S-R400P |



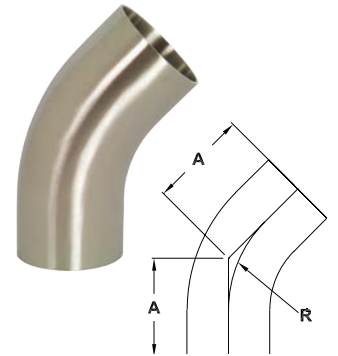
Polished 90° Weld Elbows - B2WCL

| Tube OD | A | R | Nominal Wall | 304 Stainless Steel Part Number | 316L Stainless Steel Part Number |
|---------|--------|--------|--------------|---------------------------------|----------------------------------|
| ½" | 1.125 | 1.125 | .065 | --- | B2WCL-R50P |
| ¾" | 1.125 | 1.125 | .065 | --- | B2WCL-R75P |
| 1" | 1.500 | 1.500 | .065 | B2WCL-G100P | B2WCL-R100P |
| 1½" | 2.250 | 2.250 | .065 | B2WCL-G150P | B2WCL-R150P |
| 2" | 3.000 | 3.000 | .065 | B2WCL-G200P | B2WCL-R200P |
| 2½" | 3.750 | 3.750 | .065 | B2WCL-G250P | B2WCL-R250P |
| 3" | 4.500 | 4.500 | .065 | B2WCL-G300P | B2WCL-R300P |
| 4" | 6.000 | 6.000 | .083 | B2WCL-G400P | B2WCL-R400P |
| 6" | 9.000 | 9.000 | .109 | B2WCL-G600P | B2WCL-R600P |
| 8" | 12.000 | 12.000 | .120 | B2WCL-G800P | B2WCL-R800P |
| 10" | 15.000 | 15.000 | .109 | B2WCL-G1000P | B2WCL-R1000P |



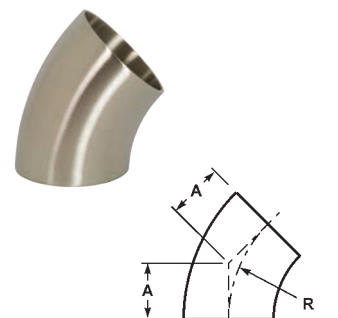
Polished 45° Weld Elbows with Tangents - B2KS

| Tube OD | A | R | Nominal Wall | 304 Stainless Steel Part Number | 316L Stainless Steel Part Number |
|---------|-------|-------|--------------|---------------------------------|----------------------------------|
| ½" | 2.250 | 1.125 | .065 | --- | B2KS-R50P |
| ¾" | 2.250 | 1.125 | .065 | --- | B2KS-R75P |
| 1" | 1.188 | 1.500 | .065 | B2KS-G100P | B2KS-R100P |
| 1½" | 1.625 | 2.250 | .065 | B2KS-G150P | B2KS-R150P |
| 2" | 2.312 | 3.000 | .065 | B2KS-G200P | B2KS-R200P |
| 2½" | 3.000 | 3.750 | .065 | B2KS-G250P | B2KS-R250P |
| 3" | 3.688 | 4.500 | .065 | B2KS-G300P | B2KS-R300P |
| 4" | 4.812 | 6.000 | .083 | B2KS-G400P | B2KS-R400P |



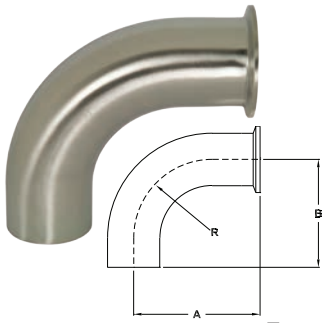
Polished 45° Weld Elbows - B2WK

| Tube OD | A | R | Nominal Wall | 304 Stainless Steel Part Number | 316L Stainless Steel Part Number |
|---------|-------|--------|--------------|---------------------------------|----------------------------------|
| ½" | .466 | 1.125 | .065 | --- | B2WK-R50P |
| ¾" | .466 | 1.125 | .065 | --- | B2WK-R75P |
| 1" | .625 | 1.500 | .065 | B2WK-G100P | B2WK-R100P |
| 1½" | .937 | 2.250 | .065 | B2WK-G150P | B2WK-R150P |
| 2" | 1.250 | 3.000 | .065 | B2WK-G200P | B2WK-R200P |
| 2½" | 1.562 | 3.750 | .065 | B2WK-G250P | B2WK-R250P |
| 3" | 1.875 | 4.500 | .065 | B2WK-G300P | B2WK-R300P |
| 4" | 2.500 | 6.000 | .083 | B2WK-G400P | B2WK-R400P |
| 6" | 3.750 | 9.000 | .109 | B2WK-G600P | B2WK-R600P |
| 8" | 5.000 | 12.000 | .120 | B2WK-G800P | B2WK-R800P |
| 10" | 6.250 | 15.000 | .109 | B2WK-G1000P | B2WK-R1000P |



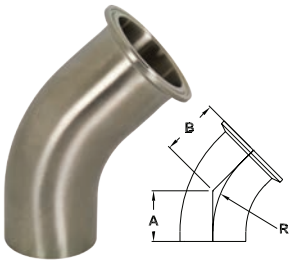
Weld Elbows

Polished 90° Clamp x Weld Elbows - B2CM



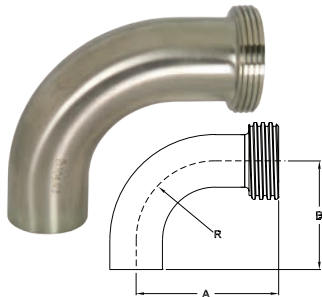
| Tube OD | A | B | R | Nominal Wall | 304 Stainless Steel Part Number | 316L Stainless Steel Part Number |
|---------|-------|-------|-------|--------------|---------------------------------|----------------------------------|
| 1" | 2.562 | 2.062 | 1.500 | .065 | B2CM-G100 | B2CM-R100 |
| 1½" | 3.438 | 2.937 | 2.250 | .065 | B2CM-G150 | B2CM-R150 |
| 2" | 4.562 | 4.062 | 3.000 | .065 | B2CM-G200 | B2CM-R200 |
| 2½" | 5.688 | 5.187 | 3.750 | .065 | B2CM-G250 | B2CM-R250 |
| 3" | 6.812 | 6.312 | 4.500 | .065 | B2CM-G300 | B2CM-R300 |
| 4" | 8.937 | 8.312 | 6.000 | .083 | B2CM-G400 | B2CM-R400 |

Polished 45° Clamp x Weld Elbows - B2KM



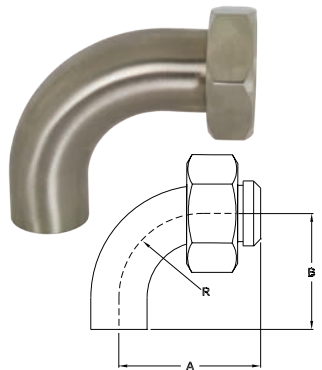
| Tube OD | A | B | R | Nominal Wall | 304 Stainless Steel Part Number | 316L Stainless Steel Part Number |
|---------|-------|-------|-------|--------------|---------------------------------|----------------------------------|
| 1" | 1.188 | 1.688 | 1.500 | .065 | B2KM-G100 | B2KM-R100 |
| 1½" | 1.625 | 2.125 | 2.250 | .065 | B2KM-G150 | B2KM-R150 |
| 2" | 2.312 | 2.812 | 3.000 | .065 | B2KM-G200 | B2KM-R200 |
| 2½" | 3.000 | 3.500 | 3.750 | .065 | B2KM-G250 | B2KM-R250 |
| 3" | 3.688 | 4.188 | 4.500 | .065 | B2KM-G300 | B2KM-R300 |
| 4" | 4.812 | 5.437 | 6.000 | .083 | B2KM-G400 | B2KM-R400 |

Polished 90° Threaded Bevel Seat x Weld Elbows - B2T



| Tube OD | A | B | R | Nominal Wall | 304 Stainless Steel Part Number |
|---------|-------|-------|-------|--------------|---------------------------------|
| 1" | 2.780 | 2.062 | 1.500 | .065 | B2T-G100 |
| 1½" | 3.656 | 2.937 | 2.250 | .065 | B2T-G150 |
| 2" | 4.812 | 4.062 | 3.000 | .065 | B2T-G200 |
| 2½" | 6.062 | 5.187 | 3.750 | .065 | B2T-G250 |
| 3" | 7.218 | 6.312 | 4.500 | .065 | B2T-G300 |
| 4" | 9.343 | 8.312 | 6.000 | .083 | B2T-G400 |

Polished 90° Plain Bevel Seat with Hex Nut x Weld Elbows - B2FP



| Tube OD | A | B | R | Nominal Wall | 304 Stainless Steel Part Number |
|---------|-------|-------|-------|--------------|---------------------------------|
| 1" | 2.780 | 2.062 | 1.500 | .065 | B2FP-G100 |
| 1½" | 3.656 | 2.937 | 2.250 | .065 | B2FP-G150 |
| 2" | 4.812 | 4.062 | 3.000 | .065 | B2FP-G200 |
| 2½" | 6.062 | 5.187 | 3.750 | .065 | B2FP-G250 |
| 3" | 7.218 | 6.312 | 4.500 | .065 | B2FP-G300 |
| 4" | 9.343 | 8.312 | 6.000 | .083 | B2FP-G400 |

Other types of weld elbows are available call Dixon Sanitary for information

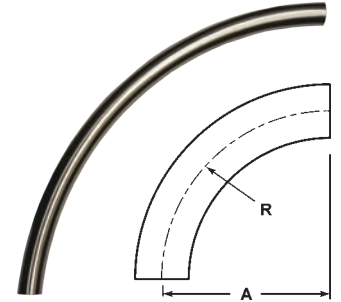


Weld Sweep Elbows

- Standard with no tangents. Call Dixon Sanitary for tangents, 45° and other radii.

Polished 12" 90° Weld Sweep Elbows - B2SXL

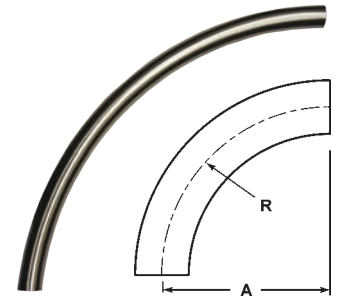
| Tube OD | A | R | 316L Stainless Steel Part Number |
|---------|-------|-------|----------------------------------|
| 1½" | 12.00 | 12.00 | B2SXL12-R150 |
| 2" | 12.00 | 12.00 | B2SXL12-R200 |
| 3" | 12.00 | 12.00 | B2SXL12-R300 |
| 4" | 12.00 | 12.00 | B2SXL12-R400 |



F

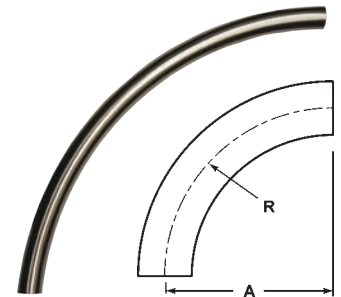
Polished 18" 90° Weld Sweep Elbows - B2SXL

| Tube OD | A | R | 316L Stainless Steel Part Number |
|---------|-------|-------|----------------------------------|
| 1½" | 18.00 | 18.00 | B2SXL18-R150 |
| 2" | 18.00 | 18.00 | B2SXL18-R200 |
| 2½" | 18.00 | 18.00 | B2SXL18-R250 |
| 3" | 18.00 | 18.00 | B2SXL18-R300 |



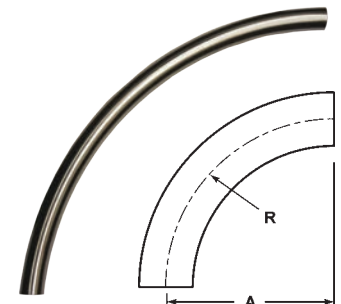
Polished 24" 90° Weld Sweep Elbows - B2SXL

| Tube OD | A | R | 316L Stainless Steel Part Number |
|---------|-------|-------|----------------------------------|
| 1½" | 24.00 | 24.00 | B2SXL24-R150 |
| 2" | 24.00 | 24.00 | B2SXL24-R200 |
| 2½" | 24.00 | 24.00 | B2SXL24-R250 |
| 3" | 24.00 | 24.00 | B2SXL24-R300 |



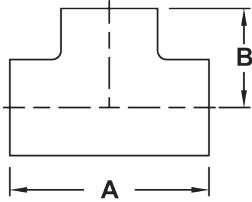
Polished 36" 90° Weld Sweep Elbows - B2SXL

| Tube OD | A | R | 316L Stainless Steel Part Number |
|---------|-------|-------|----------------------------------|
| 3" | 36.00 | 36.00 | B2SXL36-R300 |
| 4" | 36.00 | 36.00 | B2SXL36-R400 |



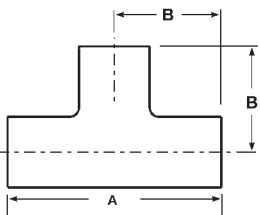
Weld Tees

3 Polished Short Weld Tees - B7WWW



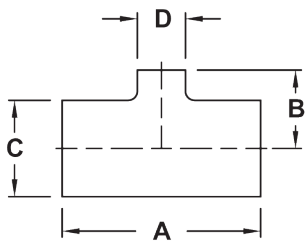
| Tube OD | A | B | Nominal Wall | 304 Stainless Steel Part Number | 316L Stainless Steel Part Number |
|---------|-------|-------|--------------|---------------------------------|----------------------------------|
| 1" | 2.250 | 1.125 | .065 | B7WWW-G100P | B7WWW-R100P |
| 1½" | 3.312 | 1.656 | .065 | B7WWW-G150P | B7WWW-R150P |
| 2" | 4.124 | 2.062 | .065 | B7WWW-G200P | B7WWW-R200P |
| 2½" | 4.688 | 2.344 | .065 | B7WWW-G250P | B7WWW-R250P |
| 3" | 5.188 | 2.594 | .065 | B7WWW-G300P | B7WWW-R300P |
| 4" | 6.876 | 3.438 | .083 | B7WWW-G400P | B7WWW-R400P |

3 Polished Long Weld Tees - B7W



| Tube OD | A | B | Nominal Wall | 304 Stainless Steel Part Number | 316L Stainless Steel Part Number |
|---------|--------|-------|--------------|---------------------------------|----------------------------------|
| ½" | 3.750 | 1.875 | .065 | --- | B7W-R50P |
| ¾" | 4.000 | 2.000 | .065 | --- | B7W-R75P |
| 1" | 3.750 | 1.875 | .065 | B7W-G100P | B7W-R100P |
| 1½" | 4.500 | 2.250 | .065 | B7W-G150P | B7W-R150P |
| 2" | 6.000 | 3.000 | .065 | B7W-G200P | B7W-R200P |
| 2½" | 6.000 | 3.000 | .065 | B7W-G250P | B7W-R250P |
| 3" | 6.500 | 3.250 | .065 | B7W-G300P | B7W-R300P |
| 4" | 7.750 | 3.875 | .083 | B7W-G400P | B7W-R400P |
| 6" | 11.250 | 5.625 | .109 | B7W-G600P | B7W-R600P |
| 8" | 14.000 | 7.000 | .120 | B7W-G800P | B7W-R800P |

3 Polished Reducing Weld Tees - B7RWWW

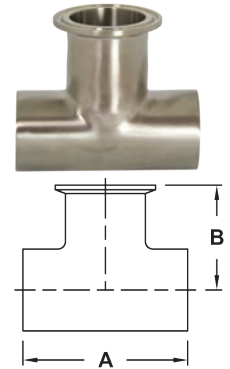


| Tube OD | A | B | C | D | Nominal Wall | 304 Stainless Steel Part Number | 316L Stainless Steel Part Number |
|-----------|--------|-------|-------|-------|--------------|---------------------------------|----------------------------------|
| ¾" x ½" | 4.000 | 2.000 | .750 | .500 | .065 | --- | B7RWWW-R7550P |
| 1" x ½" | 4.250 | 2.125 | 1.000 | .500 | .065 | --- | B7RWWW-R10050P |
| 1" x ¾" | 4.250 | 2.125 | 1.000 | .750 | .065 | --- | B7RWWW-R10075P |
| 1½" x ½" | 4.750 | 2.375 | 1.500 | .500 | .065 | --- | B7RWWW-R15050P |
| 1½" x ¾" | 4.750 | 2.375 | 1.500 | .750 | .065 | --- | B7RWWW-R15075P |
| 1½" x 1" | 3.312 | 1.375 | 1.500 | 1.000 | .065 | B7RWWW-G150100P | B7RWWW-R150100P |
| 2" x ½" | 5.750 | 2.625 | 2.000 | .500 | .065 | --- | B7RWWW-R20050P |
| 2" x ¾" | 5.750 | 2.625 | 2.000 | .750 | .065 | --- | B7RWWW-R20075P |
| 2" x 1" | 4.124 | 1.625 | 2.000 | 1.000 | .065 | B7RWWW-G200100P | B7RWWW-R200100P |
| 2" x 1½" | 4.124 | 1.906 | 2.000 | 1.500 | .065 | B7RWWW-G200150P | B7RWWW-R200150P |
| 2½" x 1½" | 4.688 | 2.156 | 2.500 | 1.500 | .065 | B7RWWW-G250150P | B7RWWW-R250150P |
| 2½" x 2" | 4.688 | 2.312 | 2.500 | 2.000 | .065 | B7RWWW-G250200P | B7RWWW-R250200P |
| 3" x 1½" | 5.188 | 2.406 | 3.000 | 1.500 | .065 | B7RWWW-G300150P | B7RWWW-R300150P |
| 3" x 2" | 5.188 | 2.562 | 3.000 | 2.000 | .065 | B7RWWW-G300200P | B7RWWW-R300200P |
| 3" x 2½" | 5.188 | 2.594 | 3.000 | 2.500 | .083 | B7RWWW-G300250P | B7RWWW-R300250P |
| 4" x 1½" | 6.876 | 2.906 | 4.000 | 1.500 | .083 | B7RWWW-G400150P | B7RWWW-R400150P |
| 4" x 2" | 6.876 | 3.062 | 4.000 | 2.000 | .083 | B7RWWW-G400200P | B7RWWW-R400200P |
| 4" x 2½" | 6.876 | 3.094 | 4.000 | 2.500 | .083 | B7RWWW-G400250P | B7RWWW-R400250P |
| 4" x 3" | 6.876 | 3.094 | 4.000 | 3.000 | .083 | B7RWWW-G400300P | B7RWWW-R400300P |
| 6" x 2" | 11.250 | 4.500 | 6.000 | 2.000 | .109 | B7RWWW-G600200P | B7RWWW-R600200P |
| 6" x 3" | 11.250 | 4.875 | 6.000 | 3.000 | .109 | B7RWWW-G600300P | B7RWWW-R600300P |

Weld Tees

Polished Weld Run x Clamp Branch Tees - B7WWM

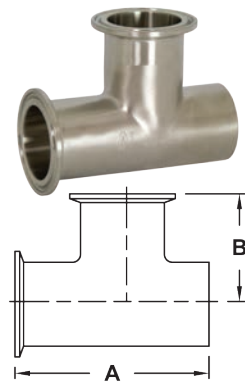
| Tube OD | A | B | Nominal Wall | 304 Stainless Steel Part Number | 316L Stainless Steel Part Number |
|---------|-------|-------|--------------|---------------------------------|----------------------------------|
| 1" | 2.250 | 1.625 | .065 | B7WWM-G100 | B7WWM-R100 |
| 1½" | 3.312 | 2.156 | .065 | B7WWM-G150 | B7WWM-R150 |
| 2" | 4.124 | 2.562 | .065 | B7WWM-G200 | B7WWM-R200 |
| 2½" | 4.688 | 2.844 | .065 | B7WWM-G250 | B7WWM-R250 |
| 3" | 5.188 | 3.094 | .065 | B7WWM-G300 | B7WWM-R300 |
| 4" | 6.876 | 4.063 | .083 | B7WWM-G400 | B7WWM-R400 |



F

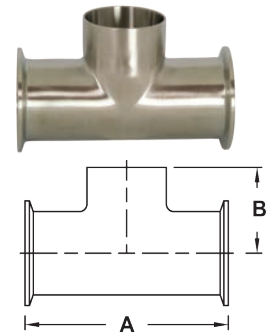
Polished Weld x Clamp Run x Clamp Branch Tees - B7WMM

| Tube OD | A | B | Nominal Wall | 304 Stainless Steel Part Number |
|---------|-------|-------|--------------|---------------------------------|
| 1" | 2.750 | 1.625 | .065 | B7WMM-G100 |
| 1½" | 3.812 | 2.156 | .065 | B7WMM-G150 |
| 2" | 4.624 | 2.562 | .065 | B7WMM-G200 |
| 2½" | 5.188 | 2.844 | .065 | B7WMM-G250 |
| 3" | 5.688 | 3.094 | .065 | B7WMM-G300 |
| 4" | 7.500 | 4.063 | .083 | B7WMM-G400 |

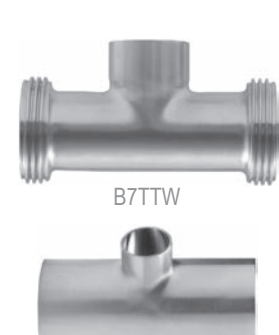
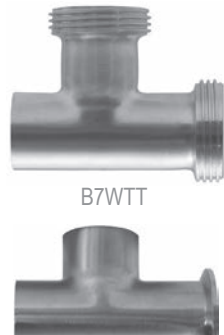
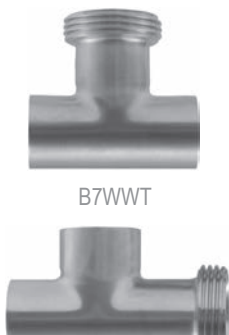


Polished Clamp Run x Weld Branch Tees - B7MMW

| Tube OD | A | B | Nominal Wall | 304 Stainless Steel Part Number |
|---------|-------|-------|--------------|---------------------------------|
| 1" | 3.250 | 1.125 | .065 | B7MMW-G100 |
| 1½" | 4.312 | 1.656 | .065 | B7MMW-G150 |
| 2" | 5.124 | 2.062 | .065 | B7MMW-G200 |
| 2½" | 5.688 | 2.062 | .065 | B7MMW-G250 |
| 3" | 6.188 | 2.594 | .065 | B7MMW-G300 |
| 4" | 8.124 | 3.438 | .083 | B7MMW-G400 |



Other types of weld tees are available call Dixon Sanitary for information



Call Toll Free: 1-866-711-4673
International: +1-727-342-5086

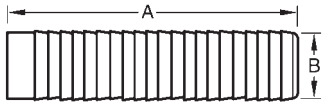


Weld Adapters

Long Weld Hose Adapters - 14WHRL

Feature:

- suitable for use with band clamps

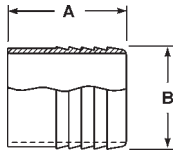


| Tube OD | A | B | Nominal Wall | 316L Stainless Steel Part Number |
|---------|-------|-------|--------------|----------------------------------|
| 1" | 3.000 | 1.030 | .116 | 14WHRL-R100 |
| 1½" | 4.500 | 1.530 | .116 | 14WHRL-R150 |
| 2" | 4.500 | 2.030 | .116 | 14WHRL-R200 |
| 2½" | 5.000 | 2.530 | .116 | 14WHRL-R250 |
| 3" | 5.000 | 3.030 | .116 | 14WHRL-R300 |
| 4" | 4.875 | 4.030 | .116 | 14WHRL-R400 |



Use of PVC tubing requires special techniques to prevent leakage. All assembly work must be done with heated tube. Cold durometer is 90 as opposed to rubber hose at 65 to 70 durometer. Banding buckles must be at 180° from one another.

Weld Hose Adapters - 14WHR

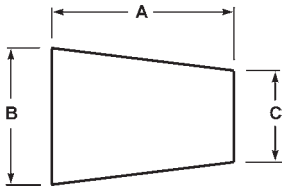
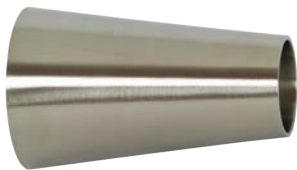


| Tube OD | A | B | Nominal Wall | 316L Stainless Steel Part Number |
|---------|-------|-------|--------------|----------------------------------|
| ½" | 1.500 | .500 | .065 | 14WHR-R50 |
| ¾" | 1.500 | .750 | .065 | 14WHR-R75 |
| 1" | 1.688 | 1.000 | .065 | 14WHR-R100 |
| 1½" | 1.688 | 1.500 | .065 | 14WHR-R150 |
| 2" | 2.312 | 2.000 | .065 | 14WHR-R200 |
| 2½" | 2.000 | 2.500 | .065 | 14WHR-R250 |
| 3" | 3.093 | 3.000 | .065 | 14WHR-R300 |
| 4" | 3.406 | 4.000 | .083 | 14WHR-R400 |

Weld Reducers



Polished Concentric Weld Reducers - B31W

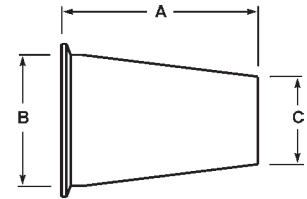


| Tube OD | A | B | C | Nominal Wall | 304 Stainless Steel Part Number | 316L Stainless Steel Part Number |
|-----------|--------|-------|-------|--------------|---------------------------------|----------------------------------|
| ¾" x ½" | 1.000 | .750 | .500 | .065 | --- | B31W-R7550P |
| 1" x ½" | 2.000 | 1.000 | .500 | .065 | --- | B31W-R10050P |
| 1" x ¾" | 1.000 | 1.000 | .750 | .065 | --- | B31W-R10075P |
| 1½" x ½" | 4.000 | 1.500 | .500 | .065 | --- | B31W-R15050P |
| 1½" x ¾" | 3.000 | 1.500 | .750 | .065 | --- | B31W-R15075P |
| 1½" x 1" | 2.000 | 1.500 | 1.000 | .065 | B31W-G150100P | B31W-R150100P |
| 2" x ½" | 6.000 | 2.000 | .500 | .065 | --- | B31W-R20050P |
| 2" x ¾" | 5.000 | 2.000 | .750 | .065 | --- | B31W-R20075P |
| 2" x 1" | 4.000 | 2.000 | 1.000 | .065 | B31W-G200100P | B31W-R200100P |
| 2" x 1½" | 2.000 | 2.000 | 1.500 | .065 | B31W-G200150P | B31W-R200150P |
| 2½" x 1½" | 4.000 | 2.500 | 1.500 | .065 | B31W-G250150P | B31W-R250150P |
| 2½" x 2" | 2.000 | 2.500 | 2.000 | .065 | B31W-G250200P | B31W-R250200P |
| 3" x 1" | 8.000 | 3.000 | 1.000 | .065 | B31W-G300100P | B31W-R300100P |
| 3" x 1½" | 6.000 | 3.000 | 1.500 | .065 | B31W-G300150P | B31W-R300150P |
| 3" x 2" | 4.000 | 3.000 | 2.000 | .065 | B31W-G300200P | B31W-R300200P |
| 3" x 2½" | 2.000 | 3.000 | 2.500 | .065 | B31W-G300250P | B31W-R300250P |
| 4" x 1½" | 10.000 | 4.000 | 1.500 | .083 | B31W-G400150P | B31W-R400150P |
| 4" x 2" | 8.000 | 4.000 | 2.000 | .083 | B31W-G400200P | B31W-R400200P |
| 4" x 2½" | 6.000 | 4.000 | 2.500 | .083 | B31W-G400250P | B31W-R400250P |
| 4" x 3" | 4.000 | 4.000 | 3.000 | .083 | B31W-G400300P | B31W-R400300P |
| 6" x 2" | 5.500 | 6.000 | 2.000 | .109 | B31W-G600200P | B31W-R600200P |
| 6" x 3" | 5.500 | 6.000 | 3.000 | .109 | B31W-G600300P | B31W-R600300P |
| 6" x 4" | 5.500 | 6.000 | 4.000 | .109 | B31W-G600400P | B31W-R600400P |
| 8" x 4" | 6.000 | 8.000 | 4.000 | .120 | B31W-G800400P | B31W-R800400P |

Weld Reducers

Polished Concentric Clamp x Weld Reducers - B31M 

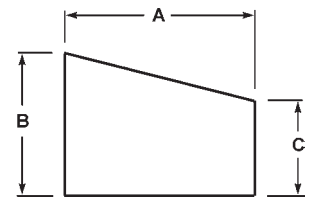
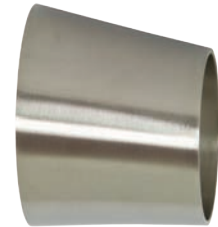
| Tube OD | A | B | C | Nominal Wall | 304 Stainless Steel Part Number | 316L Stainless Steel Part Number |
|-----------------|-------|-------|-------|--------------|---------------------------------|----------------------------------|
| 3/4" x 1/2" | 1.500 | .750 | .500 | .065 | --- | B31M-R7550 |
| 1" x 1/2" | 2.500 | 1.000 | .500 | .065 | --- | B31M-R10050 |
| 1" x 3/4" | 1.500 | 1.000 | .750 | .065 | --- | B31M-R10075 |
| 1 1/2" x 1/2" | 4.500 | 1.500 | .500 | .065 | --- | B31M-R15050 |
| 1 1/2" x 3/4" | 3.500 | 1.000 | .750 | .065 | --- | B31M-R15075 |
| 1 1/2" x 1" | 2.500 | 1.500 | 1.000 | .065 | B31M-G150100 | B31M-R150100 |
| 2" x 1" | 4.500 | 2.000 | 1.000 | .065 | B31M-G200100 | B31M-R200100 |
| 2" x 1 1/2" | 2.500 | 2.000 | 1.500 | .065 | B31M-G200150 | B31M-R200150 |
| 2 1/2" x 1 1/2" | 4.500 | 2.500 | 1.500 | .065 | B31M-G250150 | B31M-R250150 |
| 2 1/2" x 2" | 2.500 | 2.500 | 2.000 | .065 | B31M-G250200 | B31M-R250200 |
| 3" x 1 1/2" | 6.500 | 3.000 | 1.500 | .065 | B31M-G300150 | B31M-R300150 |
| 3" x 2" | 4.500 | 3.000 | 2.000 | .065 | B31M-G300200 | B31M-R300200 |
| 3" x 2 1/2" | 2.500 | 3.000 | 2.500 | .065 | B31M-G300250 | B31M-R300250 |
| 4" x 2" | 8.625 | 4.000 | 2.000 | .083 | B31M-G400200 | B31M-R400200 |
| 4" x 2 1/2" | 6.625 | 4.000 | 2.500 | .083 | B31M-G400250 | B31M-R400250 |
| 4" x 3" | 4.625 | 4.000 | 3.000 | .083 | B31M-G400300 | B31M-R400300 |



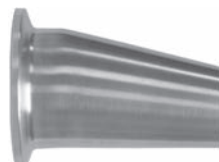
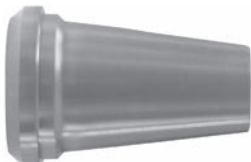
F

Polished Eccentric Weld Reducers - B32W 

| Tube OD | A | B | C | Nominal Wall | 304 Stainless Steel Part Number | 316L Stainless Steel Part Number |
|-----------------|--------|-------|-------|--------------|---------------------------------|----------------------------------|
| 3/4" x 1/2" | 1.000 | .750 | .500 | .065 | --- | B32W-R7550P |
| 1" x 1/2" | 2.000 | 1.000 | .500 | .065 | --- | B32W-R10050P |
| 1" x 3/4" | 1.000 | 1.000 | .750 | .065 | --- | B32W-R10075P |
| 1 1/2" x 1/2" | 4.000 | 1.500 | .500 | .065 | --- | B32W-R15050P |
| 1 1/2" x 3/4" | 3.000 | 1.500 | .750 | .065 | --- | B32W-R15075P |
| 1 1/2" x 1" | 2.000 | 1.500 | 1.000 | .065 | B32W-G150100P | B32W-R150100P |
| 2" x 1 1/2" | 6.000 | 2.000 | .500 | .065 | --- | B32W-R20050P |
| 2" x 3/4" | 5.000 | 2.000 | .750 | .065 | --- | B32W-R20075P |
| 2" x 1" | 4.000 | 2.000 | 1.000 | .065 | B32W-G200100P | B32W-R200100P |
| 2" x 1 1/2" | 2.000 | 2.000 | 1.500 | .065 | B32W-G200150P | B32W-R200150P |
| 2 1/2" x 1 1/2" | 4.000 | 2.500 | 1.500 | .065 | B32W-G250150P | B32W-R250150P |
| 2 1/2" x 2" | 2.000 | 2.500 | 2.000 | .065 | B32W-G250200P | B32W-R250200P |
| 3" x 1" | 8.000 | 3.000 | 1.000 | .065 | B32W-G300100P | B32W-R300100P |
| 3" x 1 1/2" | 6.000 | 3.000 | 1.500 | .065 | B32W-G300150P | B32W-R300150P |
| 3" x 2" | 4.000 | 3.000 | 2.000 | .065 | B32W-G300200P | B32W-R300200P |
| 3" x 2 1/2" | 2.000 | 3.000 | 2.500 | .065 | B32W-G300250P | B32W-R300250P |
| 4" x 1 1/2" | 10.000 | 4.000 | 1.500 | .083 | B32W-G400150P | B32W-R400150P |
| 4" x 2" | 8.000 | 4.000 | 2.000 | .083 | B32W-G400200P | B32W-R400200P |
| 4" x 2 1/2" | 6.000 | 4.000 | 2.500 | .083 | B32W-G400250P | B32W-R400250P |
| 4" x 3" | 4.000 | 4.000 | 3.000 | .083 | B32W-G400300P | B32W-R400300P |
| 6" x 3" | 5.500 | 6.000 | 3.000 | .109 | B32W-G600300P | B32W-R600300P |
| 6" x 4" | 5.500 | 6.000 | 4.000 | .109 | B32W-G600400P | B32W-R600400P |
| 8" x 4" | 6.000 | 8.000 | 4.000 | .120 | B32W-G800400P | B32W-R800400P |
| 8" x 6" | 6.000 | 8.000 | 6.000 | .120 | B32W-G800600P | B32W-R800600P |



Other types of weld reducers are available call Dixon Sanitary for information



GOODYEAR
GOODYEARBELTING.COM

Call Toll Free: 1-866-711-4673
International: +1-727-342-5086

**We Ship
World Wide**

Clamp Ferrules

Quick Weld Ferrules- 14QMP

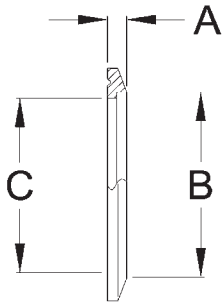
Features:

- 304 stainless construction
- just slip onto sanitary OD tube and weld
- no need to butt weld



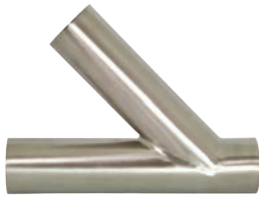
| Tube OD | A | B | C | 304 Stainless Steel Part Number |
|---------|------|-------|-------|---------------------------------|
| 1" | .290 | 1.005 | .870 | 14QMP-G100 |
| 1½" | .199 | 1.505 | 1.370 | 14QMP-G150 |
| 2" | .205 | 2.005 | 1.870 | 14QMP-G200 |
| 2½" | .210 | 2.505 | 2.370 | 14QMP-G250 |
| 3" | .257 | 3.005 | 2.870 | 14QMP-G300 |
| 4" | .235 | 4.005 | 3.834 | 14QMP-G400 |
| 6" | .321 | 6.005 | 5.782 | 14QMP-G600 |

F

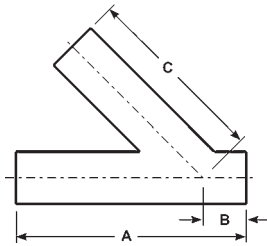


Miscellaneous Weld Configurations

Polished Weld Laterals - B28WA



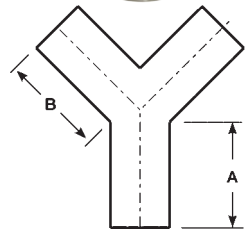
| Tube OD | A | B | C | Nominal Wall | 316L Stainless Steel Part Number |
|---------|--------|-------|--------|--------------|----------------------------------|
| 1" | 6.000 | 1.000 | 5.000 | .065 | B28WA-R100P |
| 1½" | 7.375 | 1.188 | 6.188 | .065 | B28WA-R150P |
| 2" | 8.750 | 1.625 | 7.125 | .065 | B28WA-R200P |
| 2½" | 10.000 | 1.500 | 8.500 | .065 | B28WA-R250P |
| 3" | 10.750 | 1.875 | 8.875 | .065 | B28WA-R300P |
| 4" | 12.812 | 2.015 | 10.750 | .083 | B28WA-R400P |
| 6" | 18.000 | 3.500 | 14.500 | .109 | B28WA-R600P |



Polished Weld True Wyes - B28W



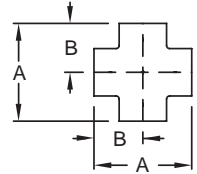
| Tube OD | A | B | Nominal Wall | 316L Stainless Steel Part Number |
|---------|-------|-------|--------------|----------------------------------|
| 1" | 2.000 | 2.438 | .065 | B28W-R100P |
| 1½" | 2.000 | 2.438 | .065 | B28W-R150P |
| 2" | 2.625 | 3.250 | .065 | B28W-R200P |
| 2½" | 3.370 | 4.125 | .065 | B28W-R250P |
| 3" | 4.000 | 4.875 | .065 | B28W-R300P |
| 4" | 5.375 | 5.375 | .083 | B28W-R400P |



Miscellaneous Weld Configurations

Polished Weld Crosses - B9WWWW

| Tube OD | A | B | Nominal Wall | 304 Stainless Steel Part Number | 316L Stainless Steel Part Number |
|---------|-------|-------|--------------|---------------------------------|----------------------------------|
| 1" | 2.250 | 1.125 | .065 | B9WWWW-G100P | B9WWWW-R100P |
| 1½" | 3.312 | 1.656 | .065 | B9WWWW-G150P | B9WWWW-R150P |
| 2" | 4.125 | 2.062 | .065 | B9WWWW-G200P | B9WWWW-R200P |
| 2½" | 4.687 | 2.343 | .065 | B9WWWW-G250P | B9WWWW-R250P |
| 3" | 5.187 | 2.593 | .065 | B9WWWW-G300P | B9WWWW-R300P |
| 4" | 6.875 | 3.437 | .083 | B9WWWW-G400P | B9WWWW-R400P |

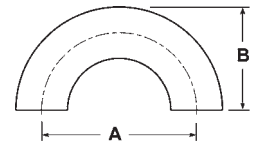


F

Polished Weld 180° Return Bends - B2WUL

- bends are standard 1.5 x tube diameter

| Tube OD | A | B | 316L Stainless Steel Part Number |
|---------|--------|-------|----------------------------------|
| 1" | 3.000 | 2.000 | B2WUL-R100P |
| 1½" | 4.500 | 3.000 | B2WUL-R150P |
| 2" | 6.000 | 4.000 | B2WUL-R200P |
| 2½" | 7.500 | 5.000 | B2WUL-R250P |
| 3" | 9.000 | 6.000 | B2WUL-R300P |
| 4" | 12.000 | 8.000 | B2WUL-R400P |



Weld End Blue Protection Covers - BCW

Features:

- Use these covers to protect all weld ends on fittings and valves.
- vinyl plastic

| Size | Part Number |
|------|----------------|
| ½" | BCW-050 |
| ¾" | BCW-075 |
| 1" | BCW-100 |
| 1½" | BCW-150 |
| 2" | BCW-200 |
| 2½" | BCW-250 |
| 3" | BCW-300 |
| 4" | BCW-400 |
| 6" | BCW-600 |
| 8" | BCW-800 |



Dixon Sanitary Unpolished Weld Fittings

A Complete Weld Connection

Product Specifications

G



← Weld end



← Weld end

Size range:

- ½" - 12" OD tube

Materials:

- G = 304 stainless steel
- R = 316L stainless steel
- other alloys are available

Finish:

- unpolished

Dimensions of stainless steel tube given in inches

| Tube OD | Nominal Wall Thickness (inches) | Gage Number |
|---------|---------------------------------|-------------|
| ½" | .065 | 16 |
| ¾" | .065 | 16 |
| 1" | .065 | 16 |
| 1½" | .065 | 16 |
| 2" | .065 | 16 |
| 2½" | .065 | 16 |
| 3" | .065 | 16 |
| 4" | .083 | 14 |
| 6" | .109 | 12 |
| 8" | .120 | 10 |
| 10" | .109 | 12 |
| 12" | .120 | 10 |

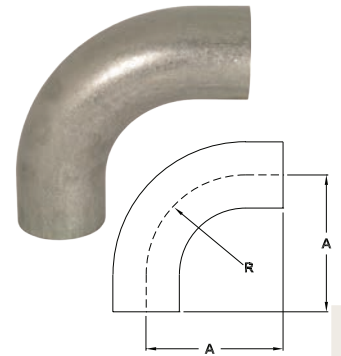
Index

| | | | |
|---------------|----|---------------------|----|
| Elbows..... | 81 | Reducers..... | 84 |
| Caps..... | 82 | Miscellaneous..... | 85 |
| Adapters..... | 82 | Flanges..... | 86 |
| Tees..... | 83 | Flange Gaskets..... | 86 |

Unpolished Elbows

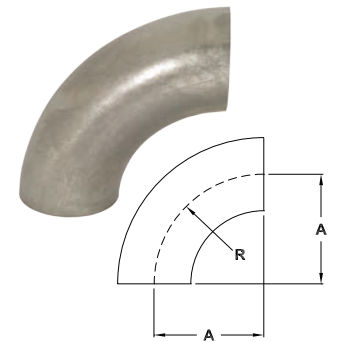
Unpolished 90° Weld Elbows with Tangents - B2S

| Tube OD | A | R | Nominal Wall | 304 Stainless Steel Part Number | 316L Stainless Steel Part Number |
|---------|-------|-------|--------------|---------------------------------|----------------------------------|
| ½" | 3.000 | 1.125 | .065 | --- | B2S-R50U |
| ¾" | 3.000 | 1.125 | .065 | --- | B2S-R75U |
| 1" | 2.062 | 1.500 | .065 | B2S-G100U | B2S-R100U |
| 1½" | 2.937 | 2.250 | .065 | B2S-G150U | B2S-R150U |
| 2" | 4.062 | 3.000 | .065 | B2S-G200U | B2S-R200U |
| 2½" | 5.187 | 3.750 | .065 | B2S-G250U | B2S-R250U |
| 3" | 6.312 | 4.500 | .065 | B2S-G300U | B2S-R300U |
| 4" | 8.312 | 6.000 | .083 | B2S-G400U | B2S-R400U |



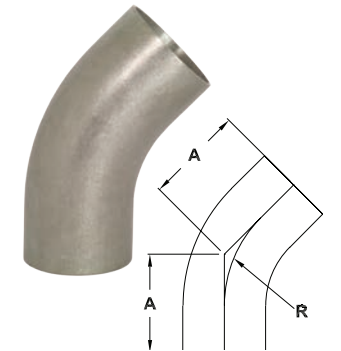
Unpolished 90° Weld Elbows - B2WCL

| Tube OD | A | R | Nominal Wall | 304 Stainless Steel Part Number | 316L Stainless Steel Part Number |
|---------|--------|--------|--------------|---------------------------------|----------------------------------|
| ½" | 1.125 | 1.125 | .065 | --- | B2WCL-R50U |
| ¾" | 1.125 | 1.125 | .065 | --- | B2WCL-R75U |
| 1" | 1.500 | 1.500 | .065 | B2WCL-G100U | B2WCL-R100U |
| 1½" | 2.250 | 2.250 | .065 | B2WCL-G150U | B2WCL-R150U |
| 2" | 3.000 | 3.000 | .065 | B2WCL-G200U | B2WCL-R200U |
| 2½" | 3.750 | 3.750 | .065 | B2WCL-G250U | B2WCL-R250U |
| 3" | 4.500 | 4.500 | .065 | B2WCL-G300U | B2WCL-R300U |
| 4" | 6.000 | 6.000 | .083 | B2WCL-G400U | B2WCL-R400U |
| 6" | 9.000 | 9.000 | .109 | B2WCL-G600U | B2WCL-R600U |
| 8" | 12.000 | 12.000 | .120 | B2WCL-G800U | B2WCL-R800U |
| 10" | 15.000 | 15.000 | .109 | B2WCL-G1000U | B2WCL-R1000U |
| 12" | 18.000 | 18.000 | .120 | B2WCL-G1200U | B2WCL-R1200U |



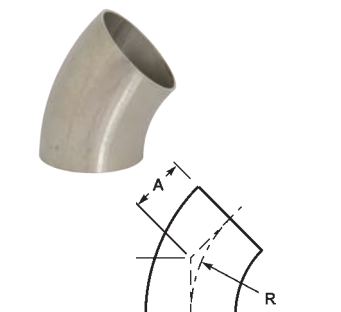
Unpolished 45° Weld Elbows with Tangents - B2KS

| Tube OD | A | R | Nominal Wall | 304 Stainless Steel Part Number | 316L Stainless Steel Part Number |
|---------|-------|-------|--------------|---------------------------------|----------------------------------|
| ½" | 2.250 | 1.125 | .065 | --- | B2KS-R50U |
| ¾" | 2.250 | 1.125 | .065 | --- | B2KS-R75U |
| 1" | 1.188 | 1.500 | .065 | B2KS-G100U | B2KS-R100U |
| 1½" | 1.625 | 2.250 | .065 | B2KS-G150U | B2KS-R150U |
| 2" | 2.312 | 3.000 | .065 | B2KS-G200U | B2KS-R200U |
| 2½" | 3.000 | 3.750 | .065 | B2KS-G250U | B2KS-R250U |
| 3" | 3.688 | 4.500 | .065 | B2KS-G300U | B2KS-R300U |
| 4" | 4.812 | 6.000 | .083 | B2KS-G400U | B2KS-R400U |



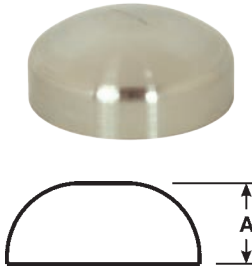
Unpolished 45° Weld Elbows - B2WK

| Tube OD | A | R | Nominal Wall | 304 Stainless Steel Part Number | 316L Stainless Steel Part Number |
|---------|-------|--------|--------------|---------------------------------|----------------------------------|
| ½" | .466 | 1.125 | .065 | --- | B2WK-R50U |
| ¾" | .466 | 1.125 | .065 | --- | B2WK-R75U |
| 1" | .625 | 1.500 | .065 | B2WK-G100U | B2WK-R100U |
| 1½" | .937 | 2.250 | .065 | B2WK-G150U | B2WK-R150U |
| 2" | 1.250 | 3.000 | .065 | B2WK-G200U | B2WK-R200U |
| 2½" | 1.562 | 3.750 | .065 | B2WK-G250U | B2WK-R250U |
| 3" | 1.875 | 4.500 | .065 | B2WK-G300U | B2WK-R300U |
| 4" | 2.500 | 6.000 | .083 | B2WK-G400U | B2WK-R400U |
| 6" | 3.750 | 9.000 | .109 | B2WK-G600U | B2WK-R600U |
| 8" | 5.000 | 12.000 | .120 | B2WK-G800U | B2WK-R800U |



Unpolished End Caps

Unpolished End Caps - B16W



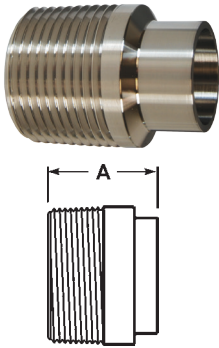
| Tube OD | A | 304 Stainless Steel Part Number | 316L Stainless Steel Part Number |
|---------|-------|---------------------------------|----------------------------------|
| 1/2" | .250 | --- | B16W-R50 |
| 3/4" | .312 | --- | B16W-R75 |
| 1" | .375 | B16W-G100 | B16W-R100 |
| 1 1/2" | .562 | B16W-G150 | B16W-R150 |
| 2" | .750 | B16W-G200 | B16W-R200 |
| 2 1/2" | 1.000 | B16W-G250 | B16W-R250 |
| 3" | 1.250 | B16W-G300 | B16W-R300 |
| 4" | 1.500 | B16W-G400 | B16W-R400 |
| 6" | 1.875 | B16W-G600 | B16W-R600 |
| 8" | 2.500 | B16W-G800 | B16W-R800 |

G

Unpolished Adapters

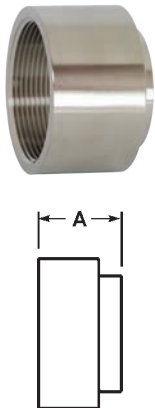
- 32Ra Finish ID

Male NPT x Weld End Adapters - B19WB



| Tube OD | A | Nominal Wall | 304 Stainless Steel Part Number | 316L Stainless Steel Part Number |
|---------|-------|--------------|---------------------------------|----------------------------------|
| 1/2" | 1.625 | .065 | --- | B19WB-R50 |
| 3/4" | 1.625 | .065 | --- | B19WB-R75 |
| 1" | 1.750 | .065 | B19WB-G100 | B19WB-R100 |
| 1 1/2" | 1.750 | .065 | B19WB-G150 | B19WB-R150 |
| 2" | 1.812 | .065 | B19WB-G200 | B19WB-R200 |
| 2 1/2" | 2.312 | .065 | B19WB-G250 | B19WB-R250 |
| 3" | 2.500 | .065 | B19WB-G300 | B19WB-R300 |
| 4" | 2.562 | .083 | B19WB-G400 | B19WB-R400 |

Female NPT x Weld End Adapters - B22WB



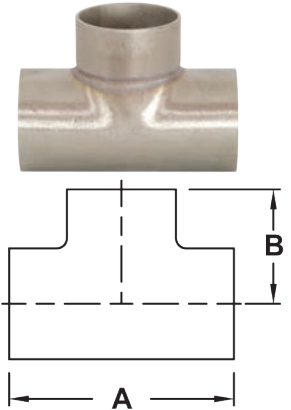
| Tube OD | A | Nominal Wall | 304 Stainless Steel Part Number | 316L Stainless Steel Part Number |
|---------|-------|--------------|---------------------------------|----------------------------------|
| 1/2" | 1.250 | .065 | --- | B22WB-R50 |
| 3/4" | 1.625 | .065 | --- | B22WB-R75 |
| 1" | 1.750 | .065 | B22WB-G100 | B22WB-R100 |
| 1 1/2" | 1.750 | .065 | B22WB-G150 | B22WB-R150 |
| 2" | 1.812 | .065 | B22WB-G200 | B22WB-R200 |
| 2 1/2" | 2.312 | .065 | B22WB-G250 | B22WB-R250 |
| 3" | 2.500 | .065 | B22WB-G300 | B22WB-R300 |
| 4" | 2.500 | .083 | B22WB-G400 | B22WB-R400 |

Note: see pages 242-243 for pipe thread information

Unpolished Tees

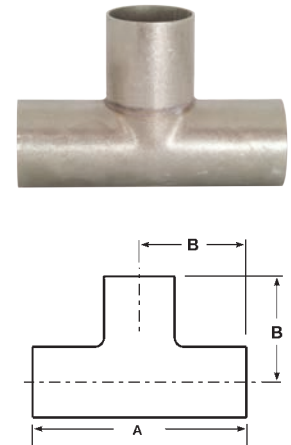
Unpolished Short Weld Tees - B7WWW

| Tube OD | A | B | Nominal Wall | 304 Stainless Steel Part Number | 316L Stainless Steel Part Number |
|---------|-------|-------|--------------|---------------------------------|----------------------------------|
| 1" | 2.250 | 1.125 | .065 | B7WWW-G100U | B7WWW-R100U |
| 1½" | 3.312 | 1.656 | .065 | B7WWW-G150U | B7WWW-R150U |
| 2" | 4.124 | 2.062 | .065 | B7WWW-G200U | B7WWW-R200U |
| 2½" | 4.688 | 2.344 | .065 | B7WWW-G250U | B7WWW-R250U |
| 3" | 5.188 | 2.594 | .065 | B7WWW-G300U | B7WWW-R300U |
| 4" | 6.876 | 3.438 | .083 | B7WWW-G400U | B7WWW-R400U |



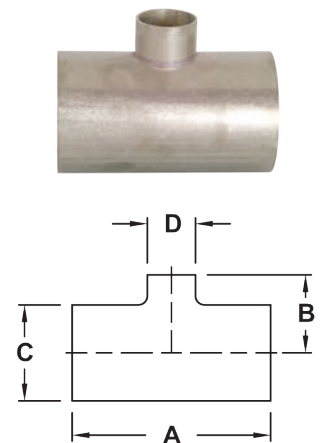
Unpolished Long Weld Tees - B7W

| Tube OD | A | B | Nominal Wall | 304 Stainless Steel Part Number | 316L Stainless Steel Part Number |
|---------|--------|-------|--------------|---------------------------------|----------------------------------|
| ½" | 3.750 | 1.875 | .065 | --- | B7W-R50U |
| ¾" | 4.000 | 2.000 | .065 | --- | B7W-R75U |
| 1" | 3.750 | 1.875 | .065 | B7W-G100U | B7W-R100U |
| 1½" | 4.500 | 2.250 | .065 | B7W-G150U | B7W-R150U |
| 2" | 6.000 | 3.000 | .065 | B7W-G200U | B7W-R200U |
| 2½" | 6.000 | 3.000 | .065 | B7W-G250U | B7W-R250U |
| 3" | 6.500 | 3.250 | .065 | B7W-G300U | B7W-R300U |
| 4" | 7.750 | 3.875 | .083 | B7W-G400U | B7W-R400U |
| 6" | 11.250 | 5.625 | .109 | B7W-G600U | B7W-R600U |
| 8" | 14.000 | 7.000 | .120 | B7W-G800U | B7W-R800U |



Unpolished Reducing Weld Tees - B7RWWW

| Tube OD | A | B | C | D | Nominal Wall | 304 Stainless Steel Part Number | 316L Stainless Steel Part Number |
|-----------|-------|-------|-------|-------|--------------|---------------------------------|----------------------------------|
| 1½" x ¾" | 4.750 | 2.375 | 1.500 | .750 | .065 | --- | B7RWWW-R15075U |
| 1½" x 1" | 3.312 | 1.375 | 1.500 | 1.000 | .065 | B7RWWW-G150100U | B7RWWW-R150100U |
| 2" x 1½" | 5.750 | 2.625 | 2.000 | .500 | .065 | --- | B7RWWW-R20050U |
| 2" x ¾" | 5.750 | 2.625 | 2.000 | .750 | .065 | --- | B7RWWW-R20075U |
| 2" x 1" | 4.124 | 1.625 | 2.000 | 1.000 | .065 | B7RWWW-G200100U | B7RWWW-R200100U |
| 2" x 1½" | 4.124 | 1.906 | 2.000 | 1.500 | .065 | B7RWWW-G200150U | B7RWWW-R200150U |
| 2½" x 1½" | 4.688 | 2.156 | 2.500 | 1.500 | .065 | B7RWWW-G250150U | B7RWWW-R250150U |
| 2½" x 2" | 4.688 | 2.312 | 2.500 | 2.000 | .065 | B7RWWW-G250200U | B7RWWW-R250200U |
| 3" x 1½" | 5.188 | 2.406 | 3.000 | 1.500 | .065 | B7RWWW-G300150U | B7RWWW-R300150U |
| 3" x 2" | 5.188 | 2.562 | 3.000 | 2.000 | .065 | B7RWWW-G300200U | B7RWWW-R300200U |
| 3" x 2½" | 5.188 | 2.594 | 3.000 | 2.500 | .065 | B7RWWW-G300250U | B7RWWW-R300250U |
| 4" x 1½" | 6.876 | 2.906 | 4.000 | 1.500 | .083 | B7RWWW-G400150U | B7RWWW-R400150U |
| 4" x 2" | 6.876 | 3.062 | 4.000 | 2.000 | .083 | B7RWWW-G400200U | B7RWWW-R400200U |
| 4" x 2½" | 6.876 | 3.094 | 4.000 | 2.500 | .083 | B7RWWW-G400250U | B7RWWW-R400250U |
| 4" x 3" | 6.876 | 3.094 | 4.000 | 3.000 | .083 | B7RWWW-G400300U | B7RWWW-R400300U |

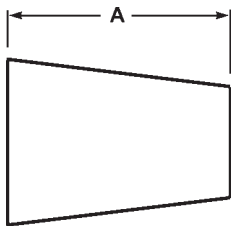


Unpolished Reducers

Unpolished Concentric Weld Reducers - B31W

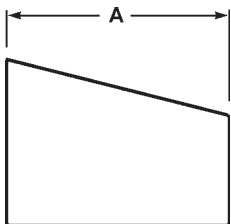
| Tube OD | A | Nominal Wall | 304 Stainless Steel Part Number | 316L Stainless Steel Part Number |
|-----------|--------|--------------|---------------------------------|----------------------------------|
| ¾" x ½" | 1.000 | .065 | --- | B31W-R7550U |
| 1" x ½" | 2.000 | .065 | --- | B31W-R10050U |
| 1" x ¾" | 1.000 | .065 | --- | B31W-R10075U |
| 1½" x ½" | 4.000 | .065 | --- | B31W-R15050U |
| 1½" x ¾" | 3.000 | .065 | --- | B31W-R15075U |
| 1½" x 1" | 2.000 | .065 | B31W-G150100U | B31W-R150100U |
| 2" x ¾" | 5.000 | .065 | --- | B31W-R20075U |
| 2" x 1" | 4.000 | .065 | B31W-G200100U | B31W-R200100U |
| 2" x 1½" | 2.000 | .065 | B31W-G200150U | B31W-R200150U |
| 2½" x 1½" | 4.000 | .065 | B31W-G250150U | B31W-R250150U |
| 2½" x 2" | 2.000 | .065 | B31W-G250200U | B31W-R250200U |
| 3" x 1" | 8.000 | .065 | B31W-G300100U | B31W-R300100U |
| 3" x 1½" | 6.000 | .065 | B31W-G300150U | B31W-R300150U |
| 3" x 2" | 4.000 | .065 | B31W-G300200U | B31W-R300200U |
| 3" x 2½" | 2.000 | .065 | B31W-G300250U | B31W-R300250U |
| 4" x 1½" | 10.000 | .083 | B31W-G400150U | B31W-R400150U |
| 4" x 2" | 8.000 | .083 | B31W-G400200U | B31W-R400200U |
| 4" x 2½" | 6.000 | .083 | B31W-G400250U | B31W-R400250U |
| 4" x 3" | 4.000 | .083 | B31W-G400300U | B31W-R400300U |
| 6" x 3" | 5.500 | .109 | B31W-G600300U | B31W-R600300U |
| 6" x 4" | 5.500 | .109 | B31W-G600400U | B31W-R600400U |
| 8" x 4" | 6.000 | .120 | B31W-G800400U | B31W-R800400U |
| 8" x 6" | 6.000 | .120 | B31W-G800600U | B31W-R800600U |

G



Unpolished Eccentric Weld Reducers - B32W

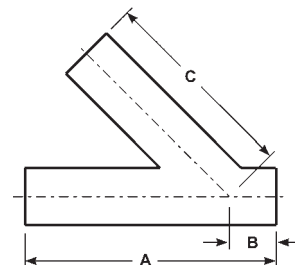
| Tube OD | A | Nominal Wall | 304 Stainless Steel Part Number | 316L Stainless Steel Part Number |
|----------|--------|--------------|---------------------------------|----------------------------------|
| ¾" x ½" | 1.000 | .065 | --- | B32W-R7550U |
| 1" x ½" | 2.000 | .065 | --- | B32W-R10050U |
| 1" x ¾" | 1.000 | .065 | --- | B32W-R10075U |
| 1½" x ½" | 4.000 | .065 | --- | B32W-R15050U |
| 1½" x ¾" | 3.000 | .065 | --- | B32W-R15075U |
| 1½" x 1" | 2.000 | .065 | B32W-G150100U | B32W-R150100U |
| 2" x ¾" | 5.000 | .065 | --- | B32W-R20075U |
| 2" x 1" | 4.000 | .065 | B32W-G200100U | B32W-R200100U |
| 2" x 1½" | 2.000 | .065 | B32W-G200150U | B32W-R200150U |
| 2½" x 2" | 2.000 | .065 | B32W-G250200U | B32W-R250200U |
| 3" x 1½" | 6.000 | .065 | B32W-G300150U | B32W-R300150U |
| 3" x 2" | 4.000 | .065 | B32W-G300200U | B32W-R300200U |
| 3" x 2½" | 2.000 | .065 | B32W-G300250U | B32W-R300250U |
| 4" x 1½" | 10.000 | .083 | B32W-G400150U | B32W-R400150U |
| 4" x 2" | 8.000 | .083 | B32W-G400200U | B32W-R400200U |
| 4" x 3" | 4.000 | .083 | B32W-G400300U | B32W-R400300U |
| 6" x 4" | 5.500 | .109 | B32W-G600400U | B32W-R600400U |
| 8" x 6" | 6.000 | .120 | B32W-G800600U | B32W-R800600U |



Miscellaneous Unpolished Configurations

Unpolished Weld Laterals - B28WA

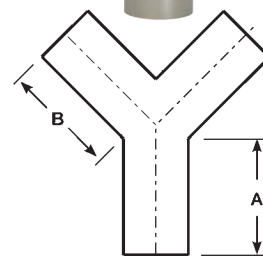
| Tube OD | A | B | C | Nominal Wall | 316L Stainless Steel Part Number |
|---------|--------|-------|--------|--------------|----------------------------------|
| 1" | 6.000 | 1.000 | 5.000 | .065 | B28WA-R100U |
| 1½" | 7.375 | 1.188 | 6.188 | .065 | B28WA-R150U |
| 2" | 8.750 | 1.625 | 7.125 | .065 | B28WA-R200U |
| 2½" | 10.000 | 1.500 | 8.500 | .065 | B28WA-R250U |
| 3" | 10.750 | 1.875 | 8.875 | .065 | B28WA-R300U |
| 4" | 12.812 | 2.015 | 10.750 | .083 | B28WA-R400U |
| 6" | 18.000 | 3.000 | 14.500 | .109 | B28WA-R600U |



G

Unpolished Weld True Wyes - B28W

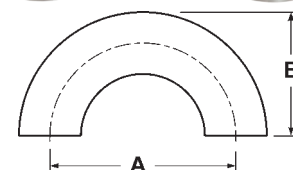
| Tube OD | A | B | Nominal Wall | 316L Stainless Steel Part Number |
|---------|-------|-------|--------------|----------------------------------|
| 1" | 2.000 | 2.438 | .065 | B28W-R100U |
| 1½" | 2.000 | 2.438 | .065 | B28W-R150U |
| 2" | 2.625 | 3.250 | .065 | B28W-R200U |
| 2½" | 3.370 | 4.125 | .065 | B28W-R250U |
| 3" | 4.000 | 4.875 | .065 | B28W-R300U |
| 4" | 5.375 | 5.375 | .083 | B28W-R400U |



Unpolished Weld 180° Return Bends - B2WUL

- bends are standard 1.5 x tube diameter

| Tube OD | A | B | Nominal Wall | 316L Stainless Steel Part Number |
|---------|--------|-------|--------------|----------------------------------|
| 1" | 3.000 | 2.000 | .065 | B2WUL-R100U |
| 1½" | 4.500 | 3.000 | .065 | B2WUL-R150U |
| 2" | 6.000 | 4.000 | .065 | B2WUL-R200U |
| 2½" | 7.500 | 5.000 | .065 | B2WUL-R250U |
| 3" | 9.000 | 6.000 | .065 | B2WUL-R300U |
| 4" | 12.000 | 8.000 | .083 | B2WUL-R400U |



Weld End Blue Protection Covers - BCW

| Size | Part Number |
|------|----------------|
| ½" | BCW-050 |
| ¾" | BCW-075 |
| 1" | BCW-100 |
| 1½" | BCW-150 |
| 2" | BCW-200 |
| 2½" | BCW-250 |
| 3" | BCW-300 |
| 4" | BCW-400 |

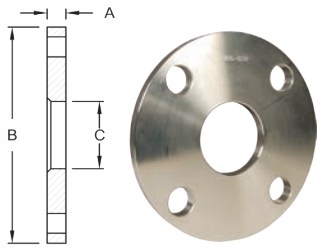
Features:

- Use these covers to protect all weld ends on fittings and valves.
- vinyl plastic



Unpolished Flanges

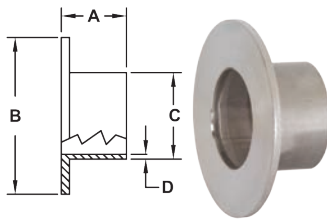
Unpolished Slip-On 150# Flanges - B38SL



| Tube OD | A | B | C | Number & Diameter Bolt Holes | Bolt Circle | 304 Stainless Steel Part Number | 316L Stainless Steel Part Number |
|---------|------|--------|--------|------------------------------|-------------|---------------------------------|----------------------------------|
| 1" | .375 | 4.250 | 1.063 | 4/.625 | 3.125 | B38SL-G100 | B38SL-R100 |
| 1½" | .375 | 5.000 | 1.563 | 4/.625 | 3.875 | B38SL-G150 | B38SL-R150 |
| 2" | .437 | 6.000 | 2.063 | 4/.750 | 4.750 | B38SL-G200 | B38SL-R200 |
| 2½" | .437 | 7.000 | 2.563 | 4/.750 | 5.500 | B38SL-G250 | B38SL-R250 |
| 3" | .500 | 7.500 | 3.063 | 4/.750 | 6.000 | B38SL-G300 | B38SL-R300 |
| 4" | .562 | 9.000 | 4.063 | 8/.750 | 7.500 | B38SL-G400 | B38SL-R400 |
| 6" | .562 | 11.000 | 6.063 | 8/.875 | 9.500 | B38SL-G600 | B38SL-R600 |
| 8" | .687 | 13.500 | 8.063 | 8/.875 | 11.750 | B38SL-G800 | B38SL-R800 |
| 10" | .687 | 16.000 | 10.063 | 12/1.000 | 14.250 | B38SL-G1000 | B38SL-R1000 |

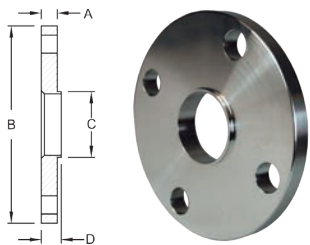
Unpolished Type A Stub Ends - 14VB

- typically used with B38SL flanges



| Tube OD | A | B | C | D | 316L Stainless Steel Part Number |
|---------|-------|--------|--------|------|----------------------------------|
| 1" | 1.625 | 2.000 | 1.000 | .065 | 14VB-R100 |
| 1½" | 1.750 | 2.875 | 1.500 | .065 | 14VB-R150 |
| 2" | 1.500 | 3.625 | 2.000 | .065 | 14VB-R200 |
| 2½" | 2.000 | 4.125 | 2.500 | .065 | 14VB-R250 |
| 3" | 2.250 | 5.000 | 3.000 | .065 | 14VB-R300 |
| 4" | 2.625 | 6.187 | 4.000 | .084 | 14VB-R400 |
| 6" | 3.000 | 8.500 | 6.000 | .109 | 14VB-R600 |
| 8" | 3.000 | 10.625 | 8.000 | .120 | 14VB-R800 |
| 10" | 3.500 | 12.450 | 10.000 | .109 | 14VB-R1000 |

Unpolished Weld Neck Flanges - B38W



| Tube OD | A | B | C | D | Number & Diameter Bolt Holes | Bolt Circle | 316L Stainless Steel Part Number |
|---------|------|--------|--------|------|------------------------------|-------------|----------------------------------|
| 1" | .375 | 4.250 | 1.000 | .500 | 4/.625 | 3.125 | B38W-R100 |
| 1½" | .375 | 5.000 | 1.500 | .500 | 4/.625 | 3.875 | B38W-R150 |
| 2" | .500 | 6.000 | 2.000 | .625 | 4/.750 | 4.750 | B38W-R200 |
| 2½" | .500 | 7.000 | 2.500 | .625 | 4/.750 | 5.500 | B38W-R250 |
| 3" | .500 | 7.500 | 3.000 | .625 | 4/.750 | 6.000 | B38W-R300 |
| 4" | .500 | 9.000 | 4.000 | .625 | 8/.750 | 7.500 | B38W-R400 |
| 6" | .500 | 11.000 | 6.000 | .625 | 8/.875 | 9.500 | B38W-R600 |
| 8" | .500 | 13.500 | 8.000 | .625 | 8/.875 | 11.750 | B38W-R800 |
| 10" | .500 | 16.000 | 10.000 | .625 | 12/1.0 | 14.250 | B38W-R1000 |

Other types of flanges are available call Dixon Sanitary for information



B14UB

Flange Gaskets



| Size | Neoprene Part Number | Size | Neoprene Part Number |
|------|----------------------|------|----------------------|
| 1" | NG10 | 3" | NG35 |
| 1¼" | NG15 | 4" | NG40 |
| 1½" | NG20 | 5" | NG50 |
| 2" | NG25 | 6" | NG60 |

Dixon Sanitary Euro Fittings

Product Specifications

Size range:

- 1" - 4" OD tube

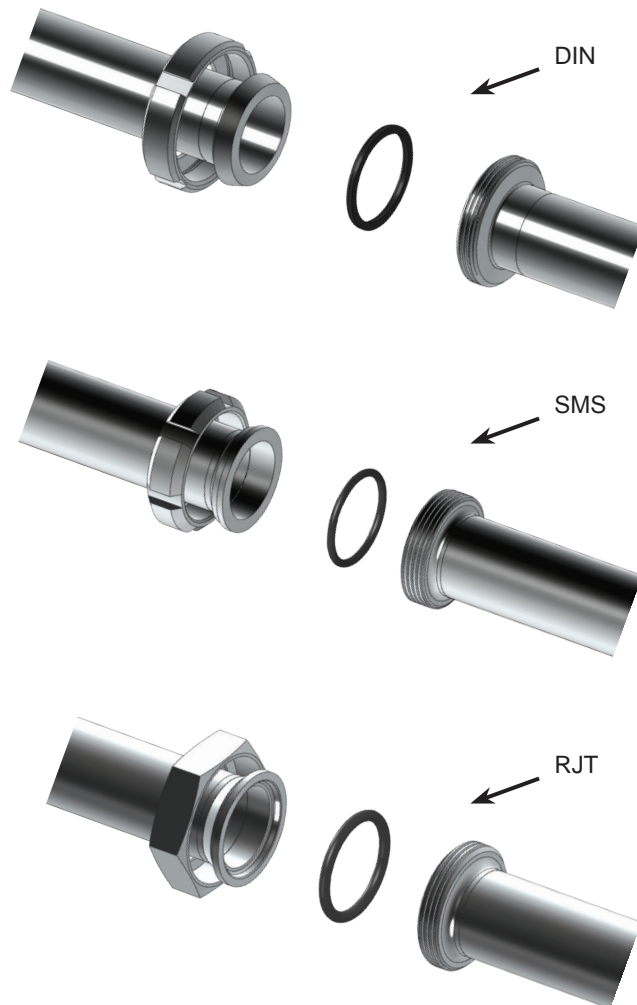
Materials:

- G = 304 stainless steel
- R = 316 stainless steel

Finish:

- 3A sanitary finish ID and OD

European Connections



Dimensions of stainless steel tube given in inches

| Tube OD ¹ | Nominal Wall Thickness (inches) | Gage Number |
|----------------------|---------------------------------|-------------|
| 1" | .065 | 16 |
| 1½" | .065 | 16 |
| 2" | .065 | 16 |
| 2½" | .065 | 16 |
| 3" | .065 | 16 |
| 4" | .083 | 14 |

¹ metric tube size available special order only

Index

| | | | |
|--------------------|----|----------------|-------|
| DIN fittings | 88 | Gaskets | 91 |
| SMS fittings | 89 | Wrenches | 89-90 |
| RJT fittings..... | 90 | | |

Note: see pages 253-255 and 258 for fittings identification

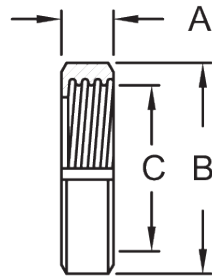


Call Toll Free: 1-866-711-4673
International: +1-727-342-5086



DIN 11851

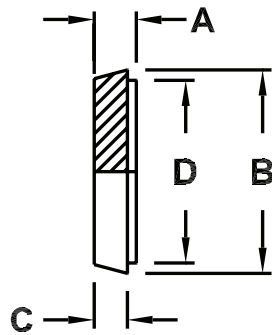
DIN Round Nuts - 13R



| Tube OD | DN Size | A | B | C | 304 Stainless Steel Part Number |
|---------|---------|------|------|------|---------------------------------|
| 1" | 25 | .83 | 2.48 | 2.05 | 13R-G100DIN |
| 1½" | 40 | .83 | 3.07 | 2.56 | 13R-G150DIN |
| 2" | 50 | .87 | 3.62 | 3.07 | 13R-G200DIN |
| 2½" | 65 | .98 | 4.41 | 3.74 | 13R-G250DIN |
| 3" | 80 | 1.14 | 5.00 | 4.33 | 13R-G300DIN |
| 4" | 100 | 1.22 | 5.83 | 5.12 | 13R-G400DIN |

DIN Blank Caps - 16AMP

H



| Tube OD | DN Size | A | B | C | D | 316 Stainless Steel Part Number |
|---------|---------|-----|------|-----|------|---------------------------------|
| 1" | 25 | .51 | 1.73 | .39 | 1.38 | 16AMP-R100DIN |
| 1½" | 40 | .51 | 2.20 | .39 | 1.89 | 16AMP-R150DIN |
| 2" | 50 | .55 | 2.68 | .43 | 2.40 | 16AMP-R200DIN |
| 2½" | 65 | .63 | 3.39 | .47 | 3.11 | 16AMP-R250DIN |
| 3" | 80 | .63 | 3.94 | .47 | 3.66 | 16AMP-R300DIN |
| 4" | 100 | .79 | 4.76 | .59 | 4.49 | 16AMP-R400DIN |

DIN Welding Males - 15A



| Tube OD | DN Size | A | B | 316 Stainless Steel Part Number |
|---------|---------|------|------|---------------------------------|
| 1" | 25 | 1.14 | 2.04 | 15A-R100DIN |
| 1½" | 40 | 1.30 | 2.55 | 15A-R150DIN |
| 2" | 50 | 1.38 | 3.07 | 15A-R200DIN |
| 2½" | 65 | 1.57 | 3.74 | 15A-R250DIN |
| 3" | 80 | 1.77 | 4.31 | 15A-R300DIN |
| 4" | 100 | 2.13 | 5.12 | 15A-R400DIN |

DIN Welding Liners - 14A

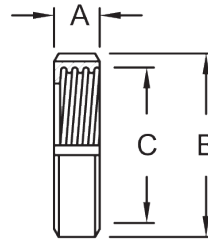


| Tube OD | DN Size | A | B | 316 Stainless Steel Part Number |
|---------|---------|------|------|---------------------------------|
| 1" | 25 | .87 | 1.73 | 14A-R100DIN |
| 1½" | 40 | 1.02 | 2.20 | 14A-R150DIN |
| 2" | 50 | 1.10 | 2.68 | 14A-R200DIN |
| 2½" | 65 | 1.26 | 3.39 | 14A-R250DIN |
| 3" | 80 | 1.46 | 3.94 | 14A-R300DIN |
| 4" | 100 | 1.73 | 4.76 | 14A-R400DIN |

SMS

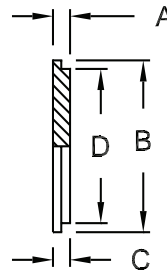
SMS Round Nuts - 13R

| Tube OD | DN Size | A | B | C | 304 Stainless Steel Part Number |
|---------|---------|------|------|------|---------------------------------|
| 1" | 25 | .75 | 2.01 | 1.57 | 13R-G100SMS |
| 1½" | 38 | .91 | 2.91 | 2.36 | 13R-G150SMS |
| 2" | 51 | .94 | 3.31 | 2.76 | 13R-G200SMS |
| 2½" | 63.5 | 1.10 | 3.94 | 3.35 | 13R-G250SMS |
| 3" | 76 | 1.18 | 4.49 | 3.86 | 13R-G300SMS |
| 4" | 101.6 | 1.22 | 5.43 | 4.92 | 13R-G400SMS |



SMS Blank Caps - 16AMP

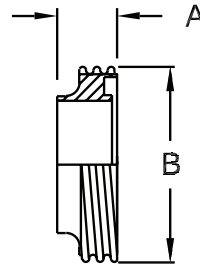
| Tube OD | DN Size | A | B | C | D | 316 Stainless Steel Part Number |
|---------|---------|-----|------|-----|------|---------------------------------|
| 1" | 25 | .30 | 1.40 | .14 | 1.25 | 16AMP-R100SMS |
| 1½" | 38 | .31 | 2.20 | .16 | 1.89 | 16AMP-R150SMS |
| 2" | 51 | .35 | 2.56 | .16 | 2.38 | 16AMP-R200SMS |
| 2½" | 63.5 | .35 | 3.15 | .16 | 2.89 | 16AMP-R250SMS |
| 3" | 76 | .43 | 3.66 | .20 | 3.41 | 16AMP-R300SMS |
| 4" | 101.6 | .43 | 4.65 | .23 | 4.43 | 16AMP-R400SMS |



H

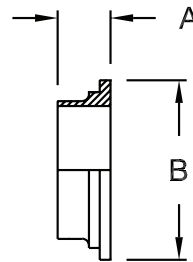
SMS Welding Males - 15A

| Tube OD | DN Size | A | B | 316 Stainless Steel Part Number |
|---------|---------|------|------|---------------------------------|
| 1" | 25 | .75 | 1.57 | 15A-R100SMS |
| 1½" | 38 | .91 | 2.36 | 15A-R150SMS |
| 2" | 51 | .91 | 2.76 | 15A-R200SMS |
| 2½" | 63.5 | 1.06 | 3.35 | 15A-R250SMS |
| 3" | 76 | 1.06 | 3.86 | 15A-R300SMS |
| 4" | 101.6 | 1.18 | 4.92 | 15A-R400SMS |



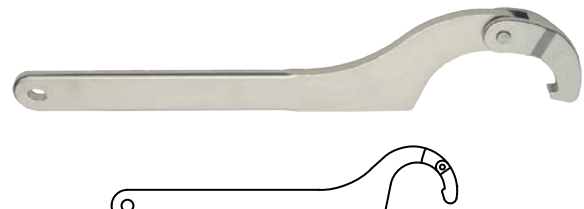
SMS Welding Liners - 14A

| Tube OD | DN Size | A | B | 316 Stainless Steel Part Number |
|---------|---------|-----|------|---------------------------------|
| 1" | 25 | .61 | 1.40 | 14A-R100SMS |
| 1½" | 38 | .63 | 2.17 | 14A-R150SMS |
| 2" | 51 | .67 | 2.56 | 14A-R200SMS |
| 2½" | 63.5 | .67 | 3.16 | 14A-R250SMS |
| 3" | 76 | .75 | 3.66 | 14A-R300SMS |
| 4" | 101.6 | .75 | 4.65 | 14A-R400SMS |



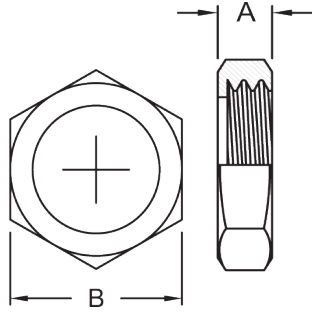
DIN and SMS Spanner Wrenches - SP

| Used On Sizes | DIN Size | A | Nickel Plated Steel Part Number |
|---------------|----------|-------|---------------------------------|
| 1" - 1½" | 25-40 | 9.75 | DIN-SMS-60/90SP |
| 2" - 4" | 50-101.6 | 13.00 | DIN-SMS90/155SP |



RJT BS:4825

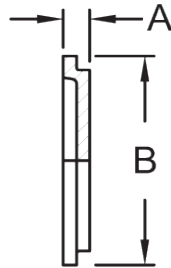
RJT Hex Nuts - 13H



| Tube OD | A | B | 304 Stainless Steel Part Number |
|---------|-----|------|---------------------------------|
| 1" | .87 | 2.00 | 13H-G100RJT |
| 1½" | .87 | 2.56 | 13H-G150RJT |
| 2" | .87 | 3.12 | 13H-G200RJT |
| 2½" | .87 | 3.62 | 13H-G250RJT |
| 3" | .87 | 4.12 | 13H-G300RJT |
| 4" | .87 | 5.12 | 13H-G400RJT |

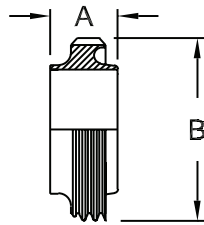
RJT Blank Caps - 13RBN

H



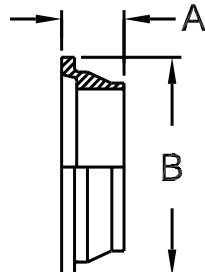
| Tube OD | A | B | 304 Stainless Steel Part Number |
|---------|-----|------|---------------------------------|
| 1" | .32 | 1.63 | 13RBN-G100RJT |
| 1½" | .32 | 2.12 | 13RBN-G150RJT |
| 2" | .32 | 2.62 | 13RBN-G200RJT |
| 2½" | .32 | 3.12 | 13RBN-G250RJT |
| 3" | .32 | 3.63 | 13RBN-G300RJT |
| 4" | .32 | 4.63 | 13RBN-G400RJT |

RJT Welding Males - 15A



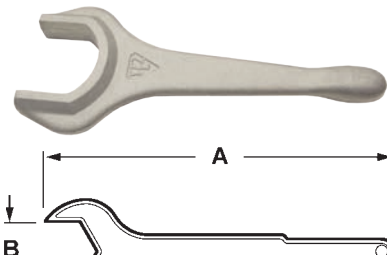
| Tube OD | A | B | 316 Stainless Steel Part Number |
|---------|------|------|---------------------------------|
| 1" | 1.06 | 1.80 | 15A-R100RJT |
| 1½" | 1.06 | 2.30 | 15A-R150RJT |
| 2" | 1.06 | 2.86 | 15A-R200RJT |
| 2½" | 1.06 | 3.36 | 15A-R250RJT |
| 3" | 1.06 | 3.86 | 15A-R300RJT |
| 4" | 1.06 | 4.86 | 15A-R400RJT |

RJT Welding Liners - 14A



| Tube OD | A | B | 316 Stainless Steel Part Number |
|---------|-----|------|---------------------------------|
| 1" | .77 | 1.63 | 14A-R100RJT |
| 1½" | .77 | 2.13 | 14A-R150RJT |
| 2" | .77 | 2.63 | 14A-R200RJT |
| 2½" | .77 | 3.13 | 14A-R250RJT |
| 3" | .77 | 3.63 | 14A-R300RJT |
| 4" | .77 | 4.63 | 14A-R400RJT |

RJT Spanner Wrenches - SP



| Size | A | B | Aluminum Part Number |
|------|-------|------|----------------------|
| 1" | 10.00 | 2.00 | RJT-100SP |
| 1½" | 11.50 | 2.56 | RJT-150SP |
| 2" | 12.00 | 3.12 | RJT-200SP |
| 2½" | 13.50 | 3.62 | RJT-250SP |
| 3" | 14.50 | 4.12 | RJT-300SP |
| 4" | 17.50 | 5.12 | RJT-400SP |

European Gaskets

DIN Buna-N Euro Gaskets - *Black*

Features:

- color code: red dot
- meets 21CFR 177.2600

| Tube OD | DN Size | ID | OD | Height | DIN 11851 Part Number |
|---------|---------|------|------|--------|-----------------------|
| 1" | 25 | 1.18 | 1.57 | .20 | 40MP-U100DIN |
| 1½" | 40 | 1.65 | 2.05 | .20 | 40MP-U150DIN |
| 2" | 50 | 2.13 | 2.52 | .20 | 40MP-U200DIN |
| 2½" | 65 | 2.80 | 3.19 | .20 | 40MP-U250DIN |
| 3" | 80 | 3.35 | 3.74 | .20 | 40MP-U300DIN |
| 4" | 100 | 4.09 | 4.49 | .24 | 40MP-U400DIN |



H

SMS Buna-N Euro Gaskets - *Black*

Features:

- color code: red dot
- meets 21CFR 177.2600

| Tube OD | DN Size | ID | OD | L Style Part Number |
|---------|---------|------|------|---------------------|
| 1" | 25 | .98 | 1.26 | 40MP-U100SMS |
| 1½" | 38 | 1.49 | 1.89 | 40MP-U150SMS |
| 2" | 51 | 2.00 | 2.40 | 40MP-U200SMS |
| 2½" | 63.5 | 2.50 | 2.89 | 40MP-U250SMS |
| 3" | 76 | 2.99 | 3.39 | 40MP-U300SMS |
| 4" | 101.6 | 4.09 | 4.49 | 40MP-U400SMS |



RJT Buna-N Euro Gaskets - *Black*

Features:

- color code: red dot
- meets 21CFR 177.2600

| Tube OD | ID | Ø | Part Number |
|---------|------|-----|---------------------|
| 1" | 1.06 | .25 | 40MP-U100RJT |
| 1½" | 1.56 | .25 | 40MP-U150RJT |
| 2" | 2.06 | .25 | 40MP-U200RJT |
| 2½" | 2.56 | .25 | 40MP-U250RJT |
| 3" | 3.06 | .25 | 40MP-U300RJT |
| 4" | 4.06 | .25 | 40MP-U400RJT |





High Purity BioPharm Line



Size range:

- ½" - 6" OD tube

Materials:

- 316L stainless steel

Finish:

- PL finish - SF1
- PM finish - SF4

Dimensions of stainless steel tube given in inches

| Tube OD | Nominal Wall Thickness (inches) | Gage Number |
|---------|---------------------------------|-------------|
| ½" | .065 | 16 |
| ¾" | .065 | 16 |
| 1" | .065 | 16 |
| 1½" | .065 | 16 |
| 2" | .065 | 16 |
| 2½" | .065 | 16 |
| 3" | .065 | 16 |
| 4" | .083 | 14 |
| 6" | .109 | 12 |

Index

| | | | |
|----------------|--------|----------------------|---------|
| Elbows | 93-94 | Ferrules | 102 |
| Tees | 95-98 | Adapters | 103 |
| Reducers | 99-101 | Technical Data | 104-105 |
| Caps | 102 | Packaging | 106 |

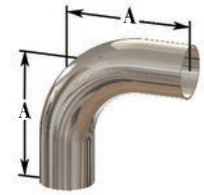
All fittings are manufactured to meet the latest edition of the ASME BPE International Standard, Bioprocessing Equipment.

316L stainless steel material and dimensions meet all orbital welding specifications with controlled sulphur.

High Purity BioPharm Line

90° Weld Elbows - T2S

| Size | A | PL Finish - SF1 | PM Finish - SF4 |
|--------|--------|------------------|------------------|
| 1/2" | 3.000 | <i>T2S-050PL</i> | <i>T2S-050PM</i> |
| 3/4" | 3.000 | <i>T2S-075PL</i> | <i>T2S-075PM</i> |
| 1" | 3.000 | <i>T2S-100PL</i> | <i>T2S-100PM</i> |
| 1 1/2" | 3.750 | <i>T2S-150PL</i> | <i>T2S-150PM</i> |
| 2" | 4.750 | <i>T2S-200PL</i> | <i>T2S-200PM</i> |
| 2 1/2" | 5.500 | <i>T2S-250PL</i> | <i>T2S-250PM</i> |
| 3" | 6.250 | <i>T2S-300PL</i> | <i>T2S-300PM</i> |
| 4" | 8.000 | <i>T2S-400PL</i> | <i>T2S-400PM</i> |
| 6" | 11.500 | <i>T2S-600PL</i> | <i>T2S-600PM</i> |



BPE Table DT-4.1.1-1

90° Clamp x Weld Elbows - T2CM

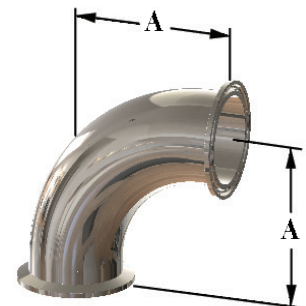
| Size | A | B | PL Finish - SF1 | PM Finish - SF4 |
|--------|--------|--------|-------------------|-------------------|
| 1/2" | 3.000 | 1.625 | <i>T2CM-050PL</i> | <i>T2CM-050PM</i> |
| 3/4" | 3.000 | 1.625 | <i>T2CM-075PL</i> | <i>T2CM-075PM</i> |
| 1" | 3.000 | 2.000 | <i>T2CM-100PL</i> | <i>T2CM-100PM</i> |
| 1 1/2" | 3.750 | 2.750 | <i>T2CM-150PL</i> | <i>T2CM-150PM</i> |
| 2" | 4.750 | 3.500 | <i>T2CM-200PL</i> | <i>T2CM-200PM</i> |
| 2 1/2" | 5.500 | 4.250 | <i>T2CM-250PL</i> | <i>T2CM-250PM</i> |
| 3" | 6.250 | 5.000 | <i>T2CM-300PL</i> | <i>T2CM-300PM</i> |
| 4" | 8.000 | 6.625 | <i>T2CM-400PL</i> | <i>T2CM-400PM</i> |
| 6" | 11.500 | 10.500 | <i>T2CM-600PL</i> | <i>T2CM-600PM</i> |



BPE Table DT-4.1.1-2

90° Clamp x Clamp Elbows - T2CMP

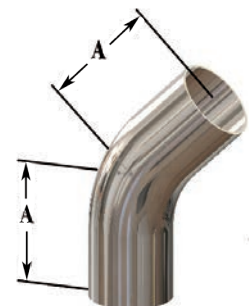
| Size | A | PL Finish - SF1 | PM Finish - SF4 |
|--------|--------|--------------------|--------------------|
| 1/2" | 1.625 | <i>T2CMP-050PL</i> | <i>T2CMP-050PM</i> |
| 3/4" | 1.625 | <i>T2CMP-075PL</i> | <i>T2CMP-075PM</i> |
| 1" | 2.000 | <i>T2CMP-100PL</i> | <i>T2CMP-100PM</i> |
| 1 1/2" | 2.750 | <i>T2CMP-150PL</i> | <i>T2CMP-150PM</i> |
| 2" | 3.500 | <i>T2CMP-200PL</i> | <i>T2CMP-200PM</i> |
| 2 1/2" | 4.250 | <i>T2CMP-250PL</i> | <i>T2CMP-250PM</i> |
| 3" | 5.000 | <i>T2CMP-300PL</i> | <i>T2CMP-300PM</i> |
| 4" | 6.625 | <i>T2CMP-400PL</i> | <i>T2CMP-400PM</i> |
| 6" | 10.500 | <i>T2CMP-600PL</i> | <i>T2CMP-600PM</i> |



BPE Table DT-4.1.1-3

45° Weld Elbows - T2KS

| Size | A | PL Finish - SF1 | PM Finish - SF4 |
|--------|-------|-------------------|-------------------|
| 1/2" | 2.250 | <i>T2KS-050PL</i> | <i>T2KS-050PM</i> |
| 3/4" | 2.250 | <i>T2KS-075PL</i> | <i>T2KS-075PM</i> |
| 1" | 2.250 | <i>T2KS-100PL</i> | <i>T2KS-100PM</i> |
| 1 1/2" | 2.500 | <i>T2KS-150PL</i> | <i>T2KS-150PM</i> |
| 2" | 3.000 | <i>T2KS-200PL</i> | <i>T2KS-200PM</i> |
| 2 1/2" | 3.375 | <i>T2KS-250PL</i> | <i>T2KS-250PM</i> |
| 3" | 3.625 | <i>T2KS-300PL</i> | <i>T2KS-300PM</i> |
| 4" | 4.500 | <i>T2KS-400PL</i> | <i>T2KS-400PM</i> |
| 6" | 6.250 | <i>T2KS-600PL</i> | <i>T2KS-600PM</i> |



BPE Table DT-4.1.1-4

Note: Not all sizes and finishes are stocked

PM Finish - SF4

OD - 32R, Mechanically Polished

PL Finish - SF1

OD - 32R, Mechanically Polished

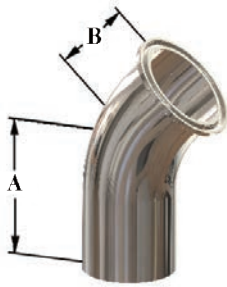
GOODYEAR
GOODYEARBELTING.COM

Call Toll Free: 1-866-711-4673
International: +1-727-342-5086

**We Ship
World Wide**

High Purity BioPharm Line

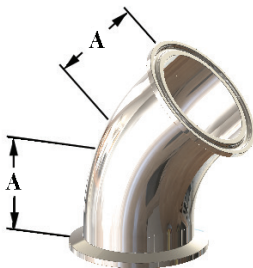
3 45° Clamp x Weld Elbows - T2KM



BPE Table DT-4.1.1-5

| Size | A | B | PL Finish - SF1 | PM Finish - SF4 |
|--------|-------|-------|-------------------|-------------------|
| 1/2" | 2.250 | 1.000 | <i>T2KM-050PL</i> | <i>T2KM-050PM</i> |
| 3/4" | 2.250 | 1.000 | <i>T2KM-075PL</i> | <i>T2KM-075PM</i> |
| 1" | 2.250 | 1.125 | <i>T2KM-100PL</i> | <i>T2KM-100PM</i> |
| 1 1/2" | 2.500 | 1.438 | <i>T2KM-150PL</i> | <i>T2KM-150PM</i> |
| 2" | 3.000 | 1.750 | <i>T2KM-200PL</i> | <i>T2KM-200PM</i> |
| 2 1/2" | 3.375 | 2.063 | <i>T2KM-250PL</i> | <i>T2KM-250PM</i> |
| 3" | 3.625 | 2.380 | <i>T2KM-300PL</i> | <i>T2KM-300PM</i> |
| 4" | 4.500 | 3.125 | <i>T2KM-400PL</i> | <i>T2KM-400PM</i> |
| 6" | 6.250 | 5.250 | <i>T2KM-600PL</i> | <i>T2KM-600PM</i> |

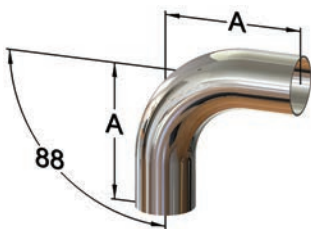
3 45° Clamp x Clamp Elbows - T2KMP



BPE Table DT-4.1.1-6

| Size | A | PL Finish - SF1 | PM Finish - SF4 |
|--------|-------|--------------------|--------------------|
| 1/2" | 1.000 | <i>T2KMP-050PL</i> | <i>T2KMP-050PM</i> |
| 3/4" | 1.000 | <i>T2KMP-075PL</i> | <i>T2KMP-075PM</i> |
| 1" | 1.125 | <i>T2KMP-100PL</i> | <i>T2KMP-100PM</i> |
| 1 1/2" | 1.438 | <i>T2KMP-150PL</i> | <i>T2KMP-150PM</i> |
| 2" | 1.750 | <i>T2KMP-200PL</i> | <i>T2KMP-200PM</i> |
| 2 1/2" | 2.063 | <i>T2KMP-250PL</i> | <i>T2KMP-250PM</i> |
| 3" | 2.375 | <i>T2KMP-300PL</i> | <i>T2KMP-300PM</i> |
| 4" | 3.125 | <i>T2KMP-400PL</i> | <i>T2KMP-400PM</i> |
| 6" | 5.250 | <i>T2KMP-600PL</i> | <i>T2KMP-600PM</i> |

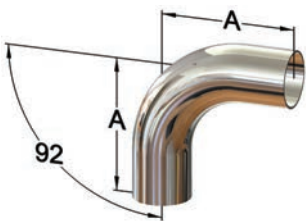
3 88° Weld Elbows - T2S88



BPE Table DT-4.1.1-1

| Size | A | PL Finish - SF1 | PM Finish - SF4 |
|--------|--------|--------------------|--------------------|
| 1/2" | 3.065 | <i>T2S88-050PL</i> | <i>T2S88-050PM</i> |
| 3/4" | 3.065 | <i>T2S88-075PL</i> | <i>T2S88-075PM</i> |
| 1" | 3.050 | <i>T2S88-100PL</i> | <i>T2S88-100PM</i> |
| 1 1/2" | 3.800 | <i>T2S88-150PL</i> | <i>T2S88-150PM</i> |
| 2" | 4.810 | <i>T2S88-200PL</i> | <i>T2S88-200PM</i> |
| 2 1/2" | 5.560 | <i>T2S88-250PL</i> | <i>T2S88-250PM</i> |
| 3" | 6.310 | <i>T2S88-300PL</i> | <i>T2S88-300PM</i> |
| 4" | 8.070 | <i>T2S88-400PL</i> | <i>T2S88-400PM</i> |
| 6" | 11.580 | <i>T2S88-600PL</i> | <i>T2S88-600PM</i> |

3 92° Weld Elbows - T2S92



BPE Table DT-4.1.1-1

| Size | A | PL Finish - SF1 | PM Finish - SF4 |
|--------|--------|--------------------|--------------------|
| 1/2" | 2.930 | <i>T2S92-050PL</i> | <i>T2S92-050PM</i> |
| 3/4" | 2.930 | <i>T2S92-075PL</i> | <i>T2S92-075PM</i> |
| 1" | 2.950 | <i>T2S92-100PL</i> | <i>T2S92-100PM</i> |
| 1 1/2" | 3.700 | <i>T2S92-150PL</i> | <i>T2S92-150PM</i> |
| 2" | 4.690 | <i>T2S92-200PL</i> | <i>T2S92-200PM</i> |
| 2 1/2" | 5.440 | <i>T2S92-250PL</i> | <i>T2S92-250PM</i> |
| 3" | 6.190 | <i>T2S92-300PL</i> | <i>T2S92-300PM</i> |
| 4" | 7.930 | <i>T2S92-400PL</i> | <i>T2S92-400PM</i> |
| 6" | 11.410 | <i>T2S92-600PL</i> | <i>T2S92-600PM</i> |

Note: Not all sizes and finishes are stocked

PL Finish - SF1

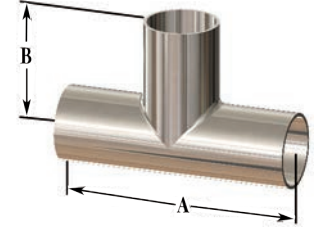
OD = 32R₃ Mechanically Polished

PM Finish - SF4

OD = 32R₃ Mechanically Polished

High Purity BioPharm Line Weld x Weld x Weld Tees - T7WWW

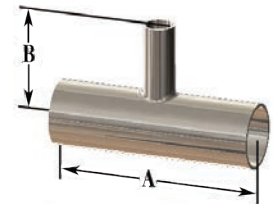
| Size | A | B | PL Finish - SF1 | PM Finish - SF4 |
|--------|--------|-------|--------------------|--------------------|
| 1/2" | 3.750 | 1.875 | <i>T7WWW-050PL</i> | <i>T7WWW-050PM</i> |
| 3/4" | 4.000 | 2.000 | <i>T7WWW-075PL</i> | <i>T7WWW-075PM</i> |
| 1" | 4.250 | 2.125 | <i>T7WWW-100PL</i> | <i>T7WWW-100PM</i> |
| 1 1/2" | 4.750 | 2.375 | <i>T7WWW-150PL</i> | <i>T7WWW-150PM</i> |
| 2" | 5.750 | 2.875 | <i>T7WWW-200PL</i> | <i>T7WWW-200PM</i> |
| 2 1/2" | 6.250 | 3.125 | <i>T7WWW-250PL</i> | <i>T7WWW-250PM</i> |
| 3" | 6.750 | 3.375 | <i>T7WWW-300PL</i> | <i>T7WWW-300PM</i> |
| 4" | 8.250 | 4.125 | <i>T7WWW-400PL</i> | <i>T7WWW-400PM</i> |
| 6" | 11.250 | 5.625 | <i>T7WWW-600PL</i> | <i>T7WWW-600PM</i> |



BPE Table DT-4.1.2-1

Weld x Weld x Weld Reducing Tees - T7RWWW

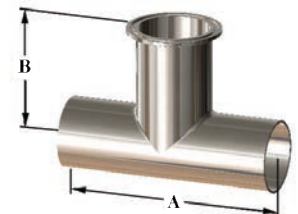
| Size | A | B | PL Finish - SF1 | PM Finish - SF4 |
|-----------------|--------|-------|------------------------|------------------------|
| 3/4" x 1/2" | 4.000 | 2.000 | <i>T7RWWW-075050PL</i> | <i>T7RWWW-075050PM</i> |
| 1" x 1/2" | 4.250 | 2.125 | <i>T7RWWW-100050PL</i> | <i>T7RWWW-100050PM</i> |
| 1" x 3/4" | 4.250 | 2.125 | <i>T7RWWW-100075PL</i> | <i>T7RWWW-100075PM</i> |
| 1 1/2" x 1/2" | 4.750 | 2.375 | <i>T7RWWW-150050PL</i> | <i>T7RWWW-150050PM</i> |
| 1 1/2" x 3/4" | 4.750 | 2.375 | <i>T7RWWW-150075PL</i> | <i>T7RWWW-150075PM</i> |
| 1 1/2" x 1" | 4.750 | 2.375 | <i>T7RWWW-150100PL</i> | <i>T7RWWW-150100PM</i> |
| 2" x 1/2" | 5.750 | 2.625 | <i>T7RWWW-200050PL</i> | <i>T7RWWW-200050PM</i> |
| 2" x 3/4" | 5.750 | 2.625 | <i>T7RWWW-200075PL</i> | <i>T7RWWW-200075PM</i> |
| 2" x 1" | 5.750 | 2.625 | <i>T7RWWW-200100PL</i> | <i>T7RWWW-200100PM</i> |
| 2" x 1 1/2" | 5.750 | 2.625 | <i>T7RWWW-200150PL</i> | <i>T7RWWW-200150PM</i> |
| 2 1/2" x 3/4" | 6.250 | 2.875 | <i>T7RWWW-250075PL</i> | <i>T7RWWW-250075PM</i> |
| 2 1/2" x 1" | 6.250 | 2.875 | <i>T7RWWW-250100PL</i> | <i>T7RWWW-250100PM</i> |
| 2 1/2" x 1 1/2" | 6.250 | 2.875 | <i>T7RWWW-250150PL</i> | <i>T7RWWW-250150PM</i> |
| 2 1/2" x 2" | 6.250 | 2.875 | <i>T7RWWW-250200PL</i> | <i>T7RWWW-250200PM</i> |
| 3" x 1/2" | 6.750 | 3.125 | <i>T7RWWW-300050PL</i> | <i>T7RWWW-300050PM</i> |
| 3" x 3/4" | 6.750 | 3.125 | <i>T7RWWW-300075PL</i> | <i>T7RWWW-300075PM</i> |
| 3" x 1" | 6.750 | 3.125 | <i>T7RWWW-300100PL</i> | <i>T7RWWW-300100PM</i> |
| 3" x 1 1/2" | 6.750 | 3.125 | <i>T7RWWW-300150PL</i> | <i>T7RWWW-300150PM</i> |
| 3" x 2" | 6.750 | 3.125 | <i>T7RWWW-300200PL</i> | <i>T7RWWW-300200PM</i> |
| 3" x 2 1/2" | 6.750 | 3.125 | <i>T7RWWW-300250PL</i> | <i>T7RWWW-300250PM</i> |
| 4" x 1/2" | 8.250 | 3.625 | <i>T7RWWW-400050PL</i> | <i>T7RWWW-400050PM</i> |
| 4" x 3/4" | 8.250 | 3.625 | <i>T7RWWW-400075PL</i> | <i>T7RWWW-400075PM</i> |
| 4" x 1" | 8.250 | 3.625 | <i>T7RWWW-400100PL</i> | <i>T7RWWW-400100PM</i> |
| 4" x 1 1/2" | 8.250 | 3.625 | <i>T7RWWW-400150PL</i> | <i>T7RWWW-400150PM</i> |
| 4" x 2" | 8.250 | 3.875 | <i>T7RWWW-400200PL</i> | <i>T7RWWW-400200PM</i> |
| 4" x 2 1/2" | 8.250 | 3.875 | <i>T7RWWW-400250PL</i> | <i>T7RWWW-400250PM</i> |
| 4" x 3" | 8.250 | 3.875 | <i>T7RWWW-400300PL</i> | <i>T7RWWW-400300PM</i> |
| 6" x 3" | 11.250 | 4.875 | <i>T7RWWW-600300PL</i> | <i>T7RWWW-600300PM</i> |
| 6" x 4" | 11.250 | 5.125 | <i>T7RWWW-600400PL</i> | <i>T7RWWW-600400PM</i> |



BPE Table DT-4.1.2-6

Weld x Weld x Clamp Tees - T7WWM

| Size | A | B | PL Finish - SF1 | PM Finish - SF4 |
|--------|--------|-------|--------------------|--------------------|
| 1/2" | 3.750 | 2.250 | <i>T7WWM-050PL</i> | <i>T7WWM-050PM</i> |
| 3/4" | 4.000 | 2.375 | <i>T7WWM-075PL</i> | <i>T7WWM-075PM</i> |
| 1" | 4.250 | 2.625 | <i>T7WWM-100PL</i> | <i>T7WWM-100PM</i> |
| 1 1/2" | 4.750 | 2.875 | <i>T7WWM-150PL</i> | <i>T7WWM-150PM</i> |
| 2" | 5.750 | 3.375 | <i>T7WWM-200PL</i> | <i>T7WWM-200PM</i> |
| 2 1/2" | 6.250 | 3.625 | <i>T7WWM-250PL</i> | <i>T7WWM-250PM</i> |
| 3" | 6.750 | 3.875 | <i>T7WWM-300PL</i> | <i>T7WWM-300PM</i> |
| 4" | 8.250 | 4.750 | <i>T7WWM-400PL</i> | <i>T7WWM-400PM</i> |
| 6" | 11.250 | 7.125 | <i>T7WWM-600PL</i> | <i>T7WWM-600PM</i> |



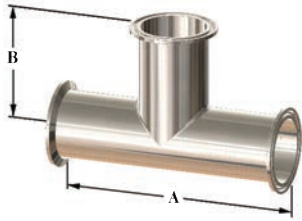
Note: Not all sizes and finishes are stocked

PL Finish - SF1

PM Finish - SF4

High Purity BioPharm Line

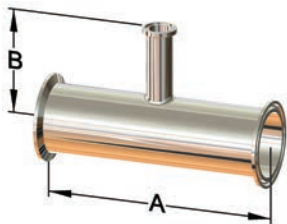
3 Clamp x Clamp x Clamp Tees - T7MP



BPE Table DT-4.1.2-4

| Size | A | B | PL Finish - SF1 | PM Finish - SF4 |
|--------|--------|-------|-------------------|-------------------|
| 1/2" | 4.500 | 2.250 | <i>T7MP-050PL</i> | <i>T7MP-050PM</i> |
| 3/4" | 4.750 | 2.375 | <i>T7MP-075PL</i> | <i>T7MP-075PM</i> |
| 1" | 5.250 | 2.625 | <i>T7MP-100PL</i> | <i>T7MP-100PM</i> |
| 1 1/2" | 5.750 | 2.875 | <i>T7MP-150PL</i> | <i>T7MP-150PM</i> |
| 2" | 6.750 | 3.375 | <i>T7MP-200PL</i> | <i>T7MP-200PM</i> |
| 2 1/2" | 7.250 | 3.625 | <i>T7MP-250PL</i> | <i>T7MP-250PM</i> |
| 3" | 7.750 | 3.875 | <i>T7MP-300PL</i> | <i>T7MP-300PM</i> |
| 4" | 9.500 | 4.750 | <i>T7MP-400PL</i> | <i>T7MP-400PM</i> |
| 6" | 14.250 | 7.125 | <i>T7MP-600PL</i> | <i>T7MP-600PM</i> |

3 Clamp x Clamp x Clamp Reducing Tees - T7RMP



BPE Table DT-4.1.2-8

| Size | A | B | PL Finish - SF1 | PM Finish - SF4 |
|-----------------|--------|-------|-----------------------|-----------------------|
| 3/4" x 1/2" | 5.000 | 2.500 | <i>T7RMP-075050PL</i> | <i>T7RMP-075050PM</i> |
| 1" x 1/2" | 5.250 | 2.625 | <i>T7RMP-100050PL</i> | <i>T7RMP-100050PM</i> |
| 1" x 3/4" | 5.250 | 2.625 | <i>T7RMP-100075PL</i> | <i>T7RMP-100075PM</i> |
| 1 1/2" x 1/2" | 5.750 | 2.875 | <i>T7RMP-150050PL</i> | <i>T7RMP-150050PM</i> |
| 1 1/2" x 3/4" | 5.750 | 2.875 | <i>T7RMP-150075PL</i> | <i>T7RMP-150075PM</i> |
| 1 1/2" x 1" | 5.750 | 2.875 | <i>T7RMP-150100PL</i> | <i>T7RMP-150100PM</i> |
| 2" x 1/2" | 6.750 | 3.125 | <i>T7RMP-200050PL</i> | <i>T7RMP-200050PM</i> |
| 2" x 3/4" | 6.750 | 3.125 | <i>T7RMP-200075PL</i> | <i>T7RMP-200075PM</i> |
| 2" x 1" | 6.750 | 3.125 | <i>T7RMP-200100PL</i> | <i>T7RMP-200100PM</i> |
| 2" x 1 1/2" | 6.750 | 3.125 | <i>T7RMP-200150PL</i> | <i>T7RMP-200150PM</i> |
| 2 1/2" x 1/2" | 7.250 | 3.375 | <i>T7RMP-250050PL</i> | <i>T7RMP-250050PM</i> |
| 2 1/2" x 3/4" | 7.250 | 3.375 | <i>T7RMP-250075PL</i> | <i>T7RMP-250075PM</i> |
| 2 1/2" x 1" | 7.250 | 3.375 | <i>T7RMP-250100PL</i> | <i>T7RMP-250100PM</i> |
| 2 1/2" x 1 1/2" | 7.250 | 3.375 | <i>T7RMP-250150PL</i> | <i>T7RMP-250150PM</i> |
| 2 1/2" x 2" | 7.250 | 3.375 | <i>T7RMP-250200PL</i> | <i>T7RMP-250200PM</i> |
| 3" x 1/2" | 7.750 | 3.625 | <i>T7RMP-300050PL</i> | <i>T7RMP-300050PM</i> |
| 3" x 3/4" | 7.750 | 3.625 | <i>T7RMP-300075PL</i> | <i>T7RMP-300075PM</i> |
| 3" x 1" | 7.750 | 3.625 | <i>T7RMP-300100PL</i> | <i>T7RMP-300100PM</i> |
| 3" x 1 1/2" | 7.750 | 3.625 | <i>T7RMP-300150PL</i> | <i>T7RMP-300150PM</i> |
| 3" x 2" | 7.750 | 3.625 | <i>T7RMP-300200PL</i> | <i>T7RMP-300200PM</i> |
| 3" x 2 1/2" | 7.750 | 3.625 | <i>T7RMP-300250PL</i> | <i>T7RMP-300250PM</i> |
| 4" x 1/2" | 9.500 | 4.125 | <i>T7RMP-400050PL</i> | <i>T7RMP-400050PM</i> |
| 4" x 3/4" | 9.500 | 4.125 | <i>T7RMP-400075PL</i> | <i>T7RMP-400075PM</i> |
| 4" x 1" | 9.500 | 4.125 | <i>T7RMP-400100PL</i> | <i>T7RMP-400100PM</i> |
| 4" x 1 1/2" | 9.500 | 4.125 | <i>T7RMP-400150PL</i> | <i>T7RMP-400150PM</i> |
| 4" x 2" | 9.500 | 4.125 | <i>T7RMP-400200PL</i> | <i>T7RMP-400200PM</i> |
| 4" x 2 1/2" | 9.500 | 4.125 | <i>T7RMP-400250PL</i> | <i>T7RMP-400250PM</i> |
| 4" x 3" | 9.500 | 4.125 | <i>T7RMP-400300PL</i> | <i>T7RMP-400300PM</i> |
| 6" x 3" | 14.250 | 5.375 | <i>T7RMP-600300PL</i> | <i>T7RMP-600300PM</i> |
| 6" x 4" | 14.250 | 5.750 | <i>T7RMP-600400PL</i> | <i>T7RMP-600400PM</i> |

Note: Not all sizes and finishes are stocked

PL Finish – SF1

OD = 32R₃ Mechanically Polished

ID = 20R₃ Mechanically Polished

PM Finish – SF4

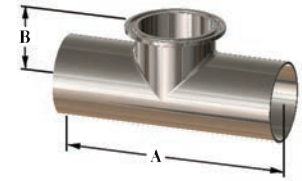
OD = 32R₃ Mechanically Polished

ID = 15R₃ Mechanically Polished and Electropolished

High Purity BioPharm Line

Weld x Weld x Clamp Short Outlet Tees - T7WWMS

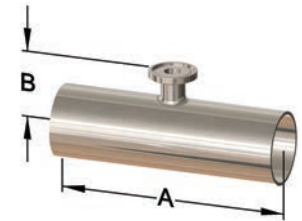
| Size | A | B | PL Finish - SF1 | PM Finish - SF4 |
|--------|--------|-------|---------------------|---------------------|
| 1/2" | 3.750 | 1.000 | <i>T7WWMS-050PL</i> | <i>T7WWMS-050PM</i> |
| 3/4" | 4.000 | 1.125 | <i>T7WWMS-075PL</i> | <i>T7WWMS-075PM</i> |
| 1" | 4.250 | 1.125 | <i>T7WWMS-100PL</i> | <i>T7WWMS-100PM</i> |
| 1 1/2" | 4.750 | 1.375 | <i>T7WWMS-150PL</i> | <i>T7WWMS-150PM</i> |
| 2" | 5.750 | 1.625 | <i>T7WWMS-200PL</i> | <i>T7WWMS-200PM</i> |
| 2 1/2" | 6.250 | 1.875 | <i>T7WWMS-250PL</i> | <i>T7WWMS-250PM</i> |
| 3" | 6.750 | 2.125 | <i>T7WWMS-300PL</i> | <i>T7WWMS-300PM</i> |
| 4" | 8.250 | 2.750 | <i>T7WWMS-400PL</i> | <i>T7WWMS-400PM</i> |
| 6" | 11.250 | 4.625 | <i>T7WWMS-600PL</i> | <i>T7WWMS-600PM</i> |



BPE Table DT-4.1.2-2

Weld x Weld x Clamp Short Outlet Reducing Tees - T7RWWMS

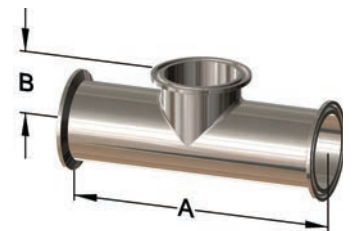
| Size | A | B | PL Finish - SF1 | PM Finish - SF4 |
|-----------------|--------|-------|------------------------|------------------------|
| 3/4" x 1/2" | 4.000 | 1.000 | <i>T7RWWMS075050PL</i> | <i>T7RWWMS075050PM</i> |
| 1" x 1/2" | 4.250 | 1.125 | <i>T7RWWMS100050PL</i> | <i>T7RWWMS100050PM</i> |
| 1" x 3/4" | 4.250 | 1.125 | <i>T7RWWMS100075PL</i> | <i>T7RWWMS100075PM</i> |
| 1 1/2" x 1/2" | 4.750 | 1.375 | <i>T7RWWMS150050PL</i> | <i>T7RWWMS150050PM</i> |
| 1 1/2" x 3/4" | 4.750 | 1.375 | <i>T7RWWMS150075PL</i> | <i>T7RWWMS150075PM</i> |
| 1 1/2" x 1" | 4.750 | 1.375 | <i>T7RWWMS150100PL</i> | <i>T7RWWMS150100PM</i> |
| 2" x 1/2" | 5.750 | 1.625 | <i>T7RWWMS200050PL</i> | <i>T7RWWMS200050PM</i> |
| 2" x 3/4" | 5.750 | 1.625 | <i>T7RWWMS200075PL</i> | <i>T7RWWMS200075PM</i> |
| 2" x 1" | 5.750 | 1.625 | <i>T7RWWMS200100PL</i> | <i>T7RWWMS200100PM</i> |
| 2" x 1 1/2" | 5.750 | 1.625 | <i>T7RWWMS200150PL</i> | <i>T7RWWMS200150PM</i> |
| 2 1/2" x 1/2" | 6.250 | 1.875 | <i>T7RWWMS250050PL</i> | <i>T7RWWMS250050PM</i> |
| 2 1/2" x 3/4" | 6.250 | 1.875 | <i>T7RWWMS250075PL</i> | <i>T7RWWMS250075PM</i> |
| 2 1/2" x 1" | 6.250 | 1.875 | <i>T7RWWMS250100PL</i> | <i>T7RWWMS250100PM</i> |
| 2 1/2" x 1 1/2" | 6.250 | 1.875 | <i>T7RWWMS250150PL</i> | <i>T7RWWMS250150PM</i> |
| 2 1/2" x 2" | 6.250 | 1.875 | <i>T7RWWMS250200PL</i> | <i>T7RWWMS250200PM</i> |
| 3" x 1/2" | 6.750 | 2.125 | <i>T7RWWMS300050PL</i> | <i>T7RWWMS300050PM</i> |
| 3" x 3/4" | 6.750 | 2.125 | <i>T7RWWMS300075PL</i> | <i>T7RWWMS300075PM</i> |
| 3" x 1" | 6.750 | 2.125 | <i>T7RWWMS300100PL</i> | <i>T7RWWMS300100PM</i> |
| 3" x 1 1/2" | 6.750 | 2.125 | <i>T7RWWMS300150PL</i> | <i>T7RWWMS300150PM</i> |
| 3" x 2" | 6.750 | 2.125 | <i>T7RWWMS300200PL</i> | <i>T7RWWMS300200PM</i> |
| 3" x 2 1/2" | 6.750 | 2.125 | <i>T7RWWMS300250PL</i> | <i>T7RWWMS300250PM</i> |
| 4" x 1/2" | 8.250 | 2.625 | <i>T7RWWMS400050PL</i> | <i>T7RWWMS400050PM</i> |
| 4" x 3/4" | 8.250 | 2.625 | <i>T7RWWMS400075PL</i> | <i>T7RWWMS400075PM</i> |
| 4" x 1" | 8.250 | 2.625 | <i>T7RWWMS400100PL</i> | <i>T7RWWMS400100PM</i> |
| 4" x 1 1/2" | 8.250 | 2.625 | <i>T7RWWMS400150PL</i> | <i>T7RWWMS400150PM</i> |
| 4" x 2" | 8.250 | 2.625 | <i>T7RWWMS400200PL</i> | <i>T7RWWMS400200PM</i> |
| 4" x 2 1/2" | 8.250 | 2.625 | <i>T7RWWMS400250PL</i> | <i>T7RWWMS400250PM</i> |
| 4" x 3" | 8.250 | 2.625 | <i>T7RWWMS400300PL</i> | <i>T7RWWMS400300PM</i> |
| 6" x 3" | 11.250 | 3.625 | <i>T7RWWMS600300PL</i> | <i>T7RWWMS600300PM</i> |
| 6" x 4" | 11.250 | 3.750 | <i>T7RWWMS600400PL</i> | <i>T7RWWMS600400PM</i> |



BPE Table DT-4.1.2-7

Clamp x Clamp x Clamp Short Outlet Tees - T7MPS

| Size | A | B | PL Finish - SF1 | PM Finish - SF4 |
|--------|--------|-------|--------------------|--------------------|
| 1/2" | 4.500 | 1.000 | <i>T7MPS-050PL</i> | <i>T7MPS-050PM</i> |
| 3/4" | 4.750 | 1.125 | <i>T7MPS-075PL</i> | <i>T7MPS-075PM</i> |
| 1" | 5.250 | 1.125 | <i>T7MPS-100PL</i> | <i>T7MPS-100PM</i> |
| 1 1/2" | 5.750 | 1.375 | <i>T7MPS-150PL</i> | <i>T7MPS-150PM</i> |
| 2" | 6.750 | 1.625 | <i>T7MPS-200PL</i> | <i>T7MPS-200PM</i> |
| 2 1/2" | 7.250 | 1.875 | <i>T7MPS-250PL</i> | <i>T7MPS-250PM</i> |
| 3" | 7.750 | 2.125 | <i>T7MPS-300PL</i> | <i>T7MPS-300PM</i> |
| 4" | 9.500 | 2.750 | <i>T7MPS-400PL</i> | <i>T7MPS-400PM</i> |
| 6" | 14.250 | 4.625 | <i>T7MPS-600PL</i> | <i>T7MPS-600PM</i> |



BPE Table DT-4.1.2-5

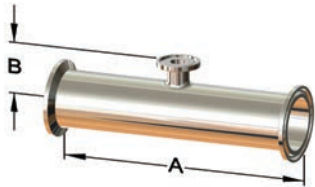
Note: Not all sizes and finishes are stocked

PL Finish – SF1

PM Finish – SF4

High Purity BioPharm Line

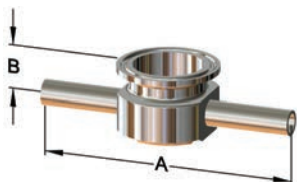
3 Clamp x Clamp x Clamp Short Outlet Reducing Tees - T7RMPS



BPE Table DT-4.1.2-9

| Size | A | B | PL Finish - SF1 | PM Finish - SF4 |
|-----------------|--------|-------|-----------------|-----------------|
| 3/4" x 1/2" | 5.000 | 1.000 | T7RMPS-075050PL | T7RMPS-075050PM |
| 1" x 1/2" | 5.125 | 1.125 | T7RMPS-100050PL | T7RMPS-100050PM |
| 1" x 3/4" | 5.125 | 1.125 | T7RMPS-100075PL | T7RMPS-100075PM |
| 1 1/2" x 1/2" | 5.750 | 1.375 | T7RMPS-150050PL | T7RMPS-150050PM |
| 1 1/2" x 3/4" | 5.750 | 1.375 | T7RMPS-150075PL | T7RMPS-150075PM |
| 1 1/2" x 1" | 5.750 | 1.375 | T7RMPS-150100PL | T7RMPS-150100PM |
| 2" x 1/2" | 6.750 | 1.625 | T7RMPS-200050PL | T7RMPS-200050PM |
| 2" x 3/4" | 6.750 | 1.625 | T7RMPS-200075PL | T7RMPS-200075PM |
| 2" x 1" | 6.750 | 1.625 | T7RMPS-200100PL | T7RMPS-200100PM |
| 2" x 1 1/2" | 6.750 | 1.625 | T7RMPS-200150PL | T7RMPS-200150PM |
| 2 1/2" x 1/2" | 7.250 | 1.875 | T7RMPS-250050PL | T7RMPS-250050PM |
| 2 1/2" x 3/4" | 7.250 | 1.875 | T7RMPS-250075PL | T7RMPS-250075PM |
| 2 1/2" x 1" | 7.250 | 1.875 | T7RMPS-250100PL | T7RMPS-250100PM |
| 2 1/2" x 1 1/2" | 7.250 | 1.875 | T7RMPS-250150PL | T7RMPS-250150PM |
| 2 1/2" x 2" | 7.250 | 1.875 | T7RMPS-250200PL | T7RMPS-250200PM |
| 3" x 1/2" | 7.750 | 2.125 | T7RMPS-300050PL | T7RMPS-300050PM |
| 3" x 3/4" | 7.750 | 2.125 | T7RMPS-300075PL | T7RMPS-300075PM |
| 3" x 1" | 7.750 | 2.125 | T7RMPS-300100PL | T7RMPS-300100PM |
| 3" x 1 1/2" | 7.750 | 2.125 | T7RMPS-300150PL | T7RMPS-300150PM |
| 3" x 2" | 7.750 | 2.125 | T7RMPS-300200PL | T7RMPS-300200PM |
| 3" x 2 1/2" | 7.750 | 2.125 | T7RMPS-300250PL | T7RMPS-300250PM |
| 4" x 1/2" | 9.500 | 2.625 | T7RMPS-400050PL | T7RMPS-400050PM |
| 4" x 3/4" | 9.500 | 2.625 | T7RMPS-400075PL | T7RMPS-400075PM |
| 4" x 1" | 9.500 | 2.625 | T7RMPS-400100PL | T7RMPS-400100PM |
| 4" x 1 1/2" | 9.500 | 2.625 | T7RMPS-400150PL | T7RMPS-400150PM |
| 4" x 2" | 9.500 | 2.625 | T7RMPS-400200PL | T7RMPS-400200PM |
| 4" x 2 1/2" | 9.500 | 2.625 | T7RMPS-400250PL | T7RMPS-400250PM |
| 4" x 3" | 9.500 | 2.625 | T7RMPS-400300PL | T7RMPS-400300PM |
| 6" x 3" | 14.250 | 3.625 | T7RMPS-600300PL | T7RMPS-600300PM |
| 6" x 4" | 14.250 | 3.750 | T7RMPS-600400PL | T7RMPS-600400PM |

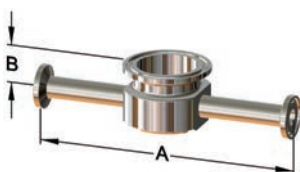
3 Weld x Weld x Clamp Instrument Tees - T7IWWMS



BPE Table DT-4.1.2-10

| Size | A | B | PL Finish - SF1 | PM Finish - SF4 |
|---------------|-------|-------|-----------------|-----------------|
| 1/2" x 1 1/2" | 5.000 | .875 | T7IWWMS050150PL | T7IWWMS050150PM |
| 3/4" x 1 1/2" | 5.000 | 1.000 | T7IWWMS075150PL | T7IWWMS075150PM |
| 1" x 1 1/2" | 5.000 | 1.125 | T7IWWMS100150PL | T7IWWMS100150PM |
| 1/2" x 2" | 5.500 | 1.000 | T7IWWMS050200PL | T7IWWMS050200PM |
| 3/4" x 2" | 5.500 | 1.125 | T7IWWMS075200PL | T7IWWMS075200PM |
| 1" x 2" | 5.500 | 1.250 | T7IWWMS100200PL | T7IWWMS100200PM |
| 1 1/2" x 2" | 5.500 | 1.500 | T7IWWMS150200PL | T7IWWMS150200PM |

3 Clamp x Clamp x Clamp Instrument Tees - T7IMPS



BPE Table DT-4.1.2-11

| Size | A | B | PL Finish - SF1 | PM Finish - SF4 |
|---------------|-------|-------|-----------------|-----------------|
| 1/2" x 1 1/2" | 6.000 | .875 | T7IMPS-050150PL | T7IMPS-050150PM |
| 3/4" x 1 1/2" | 6.000 | 1.000 | T7IMPS-075150PL | T7IMPS-075150PM |
| 1" x 1 1/2" | 6.000 | 1.125 | T7IMPS-100150PL | T7IMPS-100150PM |
| 1/2" x 2" | 6.500 | 1.000 | T7IMPS-050200PL | T7IMPS-050200PM |
| 3/4" x 2" | 6.500 | 1.125 | T7IMPS-075200PL | T7IMPS-075200PM |
| 1" x 2" | 6.500 | 1.250 | T7IMPS-100200PL | T7IMPS-100200PM |
| 1 1/2" x 2" | 6.500 | 1.500 | T7IMPS150200PL | T7IMPS150200PM |

Note: Not all sizes and finishes are stocked

PL Finish - SF1

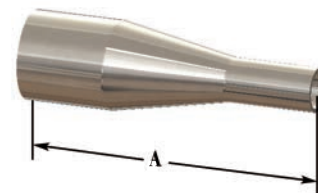
OD - 32R Mechanically Polished

PM Finish - SF4

OD - 32R Mechanically Polished

High Purity BioPharm Line Weld x Weld Concentric Reducers - T31W

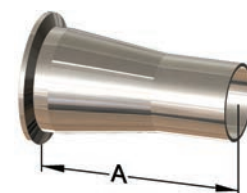
| Size | A | PL Finish - SF1 | PM Finish - SF4 |
|-----------|--------|----------------------|----------------------|
| ¾" x ½" | 4.00 | <i>T31W-075050PL</i> | <i>T31W-075050PM</i> |
| 1" x ½" | 4.50 | <i>T31W-100050PL</i> | <i>T31W-100050PM</i> |
| 1" x ¾" | 4.00 | <i>T31W-100075PL</i> | <i>T31W-100075PM</i> |
| 1½" x ½" | 5.50 | <i>T31W-150050PL</i> | <i>T31W-150050PM</i> |
| 1½" x ¾" | 5.00 | <i>T31W-150075PL</i> | <i>T31W-150075PM</i> |
| 1½" x 1" | 5.00 | <i>T31W-150100PL</i> | <i>T31W-150100PM</i> |
| 2" x ½" | 7.75 | <i>T31W-200050PL</i> | <i>T31W-200050PM</i> |
| 2" x ¾" | 7.25 | <i>T31W-200075PL</i> | <i>T31W-200075PM</i> |
| 2" x 1" | 7.25 | <i>T31W-200100PL</i> | <i>T31W-200100PM</i> |
| 2" x 1½" | 5.25 | <i>T31W-200150PL</i> | <i>T31W-200150PM</i> |
| 2½" x ½" | 9.750 | <i>T31W-250050PL</i> | <i>T31W-250050PM</i> |
| 2½" x ¾" | 9.250 | <i>T31W-250075PL</i> | <i>T31W-250075PM</i> |
| 2½" x 1" | 9.250 | <i>T31W-250100PL</i> | <i>T31W-250100PM</i> |
| 2½" x 1½" | 7.250 | <i>T31W-250150PL</i> | <i>T31W-250150PM</i> |
| 2½" x 2" | 5.500 | <i>T31W-250200PL</i> | <i>T31W-250200PM</i> |
| 3" x 1" | 11.250 | <i>T31W-300100PL</i> | <i>T31W-300100PM</i> |
| 3" x 1½" | 9.250 | <i>T31W-300150PL</i> | <i>T31W-300150PM</i> |
| 3" x 2" | 7.500 | <i>T31W-300200PL</i> | <i>T31W-300200PM</i> |
| 3" x 2½" | 5.500 | <i>T31W-300250PL</i> | <i>T31W-300250PM</i> |
| 4" x 1" | 15.500 | <i>T31W-400100PL</i> | <i>T31W-400100PM</i> |
| 4" x 1½" | 13.500 | <i>T31W-400150PL</i> | <i>T31W-400150PM</i> |
| 4" x 2" | 11.750 | <i>T31W-400200PL</i> | <i>T31W-400200PM</i> |
| 4" x 2½" | 9.750 | <i>T31W-400250PL</i> | <i>T31W-400250PM</i> |
| 4" x 3" | 7.750 | <i>T31W-400300PL</i> | <i>T31W-400300PM</i> |
| 6" x 3" | 10.000 | <i>T31W-600300PL</i> | <i>T31W-600300PM</i> |
| 6" x 4" | 10.000 | <i>T31W-600400PL</i> | <i>T31W-600400PM</i> |



BPE Table DT-4.1.3-1(a)

Clamp x Weld Concentric Reducers - T31M

| Size | A | PL Finish - SF1 | PM Finish - SF4 |
|-----------|--------|----------------------|----------------------|
| ¾" x ½" | 3.000 | <i>T31M-075050PL</i> | <i>T31M-075050PM</i> |
| 1" x ½" | 3.500 | <i>T31M-100050PL</i> | <i>T31M-100050PM</i> |
| 1" x ¾" | 3.000 | <i>T31M-100075PL</i> | <i>T31M-100075PM</i> |
| 1½" x ½" | 4.500 | <i>T31M-150050PL</i> | <i>T31M-150050PM</i> |
| 1½" x ¾" | 4.000 | <i>T31M-150075PL</i> | <i>T31M-150075PM</i> |
| 1½" x 1" | 4.000 | <i>T31M-150100PL</i> | <i>T31M-150100PM</i> |
| 2" x ½" | 6.500 | <i>T31M-200050PL</i> | <i>T31M-200050PM</i> |
| 2" x ¾" | 6.000 | <i>T31M-200075PL</i> | <i>T31M-200075PM</i> |
| 2" x 1" | 6.000 | <i>T31M-200100PL</i> | <i>T31M-200100PM</i> |
| 2" x 1½" | 4.000 | <i>T31M-200150PL</i> | <i>T31M-200150PM</i> |
| 2½" x ½" | 8.500 | <i>T31M-250050PL</i> | <i>T31M-250050PM</i> |
| 2½" x ¾" | 8.000 | <i>T31M-250075PL</i> | <i>T31M-250075PM</i> |
| 2½" x 1" | 8.000 | <i>T31M-250100PL</i> | <i>T31M-250100PM</i> |
| 2½" x 1½" | 6.000 | <i>T31M-250150PL</i> | <i>T31M-250150PM</i> |
| 2½" x 2" | 4.250 | <i>T31M-250200PL</i> | <i>T31M-250200PM</i> |
| 3" x 1" | 10.000 | <i>T31M-300100PL</i> | <i>T31M-300100PM</i> |
| 3" x 1½" | 8.000 | <i>T31M-300150PL</i> | <i>T31M-300150PM</i> |
| 3" x 2" | 6.250 | <i>T31M-300200PL</i> | <i>T31M-300200PM</i> |
| 3" x 2½" | 4.250 | <i>T31M-300250PL</i> | <i>T31M-300250PM</i> |
| 4" x 1" | 14.125 | <i>T31M-400100PL</i> | <i>T31M-400100PM</i> |
| 4" x 1½" | 12.125 | <i>T31M-400150PL</i> | <i>T31M-400150PM</i> |
| 4" x 2" | 10.375 | <i>T31M-400200PL</i> | <i>T31M-400200PM</i> |
| 4" x 2½" | 8.375 | <i>T31M-400250PL</i> | <i>T31M-400250PM</i> |
| 4" x 3" | 6.375 | <i>T31M-400300PL</i> | <i>T31M-400300PM</i> |
| 6" x 3" | 9.000 | <i>T31M-600300PL</i> | <i>T31M-600300PM</i> |
| 6" x 4" | 9.000 | <i>T31M-600400PL</i> | <i>T31M-600400PM</i> |



BPE Table DT-4.1.3-2(a)

Note: Not all sizes and finishes are stocked
PL Finish – SF1

PM Finish – SF4

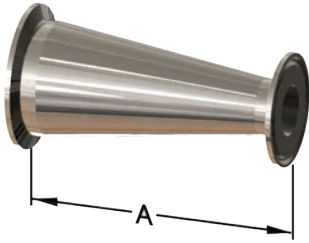
GOODYEAR
GOODYEARBELTING.COM

Call Toll Free: 1-866-711-4673
International: +1-727-342-5086

**We Ship
World Wide**

High Purity BioPharm Line

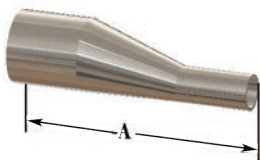
3 Clamp x Clamp Concentric Reducers - T3114MP



BPE Table DT-4.1.3-3(a)

| Size | A | PL Finish - SF1 | PM Finish - SF4 |
|-----------------|--------|-----------------|-----------------|
| 3/4" x 1/2" | 2.000 | T3114MP075050PL | T3114MP075050PM |
| 1" x 1/2" | 2.500 | T3114MP100050PL | T3114MP100050PM |
| 1" x 3/4" | 2.000 | T3114MP100075PL | T3114MP100075PM |
| 1 1/2" x 1/2" | 3.500 | T3114MP150050PL | T3114MP150050PM |
| 1 1/2" x 3/4" | 3.000 | T3114MP150075PL | T3114MP150075PM |
| 1 1/2" x 1" | 3.000 | T3114MP150100PL | T3114MP150100PM |
| 2" x 1/2" | 5.500 | T3114MP200050PL | T3114MP200050PM |
| 2" x 3/4" | 5.000 | T3114MP200075PL | T3114MP200075PM |
| 2" x 1" | 5.000 | T3114MP200100PL | T3114MP200100PM |
| 2" x 1 1/2" | 3.000 | T3114MP200150PL | T3114MP200150PM |
| 2 1/2" x 1/2" | 7.500 | T3114MP250050PL | T3114MP250050PM |
| 2 1/2" x 3/4" | 7.000 | T3114MP250075PL | T3114MP250075PM |
| 2 1/2" x 1" | 7.000 | T3114MP250100PL | T3114MP250100PM |
| 2 1/2" x 1 1/2" | 5.000 | T3114MP250150PL | T3114MP250150PM |
| 2 1/2" x 2" | 3.000 | T3114MP250200PL | T3114MP250200PM |
| 3" x 1" | 9.000 | T3114MP300100PL | T3114MP300100PM |
| 3" x 1 1/2" | 7.000 | T3114MP300150PL | T3114MP300150PM |
| 3" x 2" | 5.000 | T3114MP300200PL | T3114MP300200PM |
| 3" x 2 1/2" | 3.000 | T3114MP300250PL | T3114MP300250PM |
| 4" x 1" | 13.125 | T3114MP400100PL | T3114MP400100PM |
| 4" x 1 1/2" | 11.125 | T3114MP400150PL | T3114MP400150PM |
| 4" x 2" | 9.125 | T3114MP400200PL | T3114MP400200PM |
| 4" x 2 1/2" | 7.125 | T3114MP400250PL | T3114MP400250PM |
| 4" x 3" | 5.125 | T3114MP400300PL | T3114MP400300PM |
| 6" x 3" | 7.625 | T3114MP600300PL | T3114MP600300PM |
| 6" x 4" | 7.625 | T3114MP600400PL | T3114MP600400PM |

3 Weld x Weld Eccentric Reducers - T32W



BPE Table DT-4.1.3-1(a)

| Size | A | PL Finish - SF1 | PM Finish - SF4 |
|-----------------|--------|-----------------|-----------------|
| 3/4" x 1/2" | 4.000 | T32W-075050PL | T32W-075050PM |
| 1" x 1/2" | 4.500 | T32W-100050PL | T32W-100050PM |
| 1" x 3/4" | 4.000 | T32W-100075PL | T32W-100075PM |
| 1 1/2" x 1/2" | 5.500 | T32W-150050PL | T32W-150050PM |
| 1 1/2" x 3/4" | 5.000 | T32W-150075PL | T32W-150075PM |
| 1 1/2" x 1" | 5.000 | T32W-150100PL | T32W-150100PM |
| 2" x 1/2" | 7.750 | T32W-200050PL | T32W-200050PM |
| 2" x 3/4" | 7.250 | T32W-200075PL | T32W-200075PM |
| 2" x 1" | 7.250 | T32W-200100PL | T32W-200100PM |
| 2" x 1 1/2" | 5.250 | T32W-200150PL | T32W-200150PM |
| 2 1/2" x 1/2" | 9.750 | T32W-250050PL | T32W-250050PM |
| 2 1/2" x 3/4" | 9.250 | T32W-250075PL | T32W-250075PM |
| 2 1/2" x 1" | 9.250 | T32W-250100PL | T32W-250100PM |
| 2 1/2" x 1 1/2" | 7.250 | T32W-250150PL | T32W-250150PM |
| 2 1/2" x 2" | 5.500 | T32W-250200PL | T32W-250200PM |
| 3" x 1" | 11.250 | T32W-300100PL | T32W-300100PM |
| 3" x 1 1/2" | 9.250 | T32W-300150PL | T32W-300150PM |
| 3" x 2" | 7.500 | T32W-300200PL | T32W-300200PM |
| 3" x 2 1/2" | 5.500 | T32W-300250PL | T32W-300250PM |
| 4" x 1" | 15.500 | T32W-400100PL | T32W-400100PM |
| 4" x 1 1/2" | 13.500 | T32W-400150PL | T32W-400150PM |
| 4" x 2" | 11.750 | T32W-400200PL | T32W-400200PM |
| 4" x 2 1/2" | 9.750 | T32W-400250PL | T32W-400250PM |
| 4" x 3" | 7.750 | T32W-400300PL | T32W-400300PM |
| 6" x 3" | 9.750 | T32W-600300PL | T32W-600300PM |
| 6" x 4" | 10.000 | T32W-600400PL | T32W-600400PM |

Note: Not all sizes and finishes are stocked
PL Finish - SF1

PM Finish - SF4

High Purity BioPharm Line Clamp x Weld Eccentric Reducers - T32M

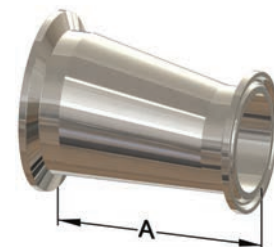
| Size | A | PL Finish - SF1 | PM Finish - SF4 |
|-----------------|--------|-----------------|-----------------|
| 3/4" x 1/2" | 3.000 | T32M-075050PL | T32M-075050PM |
| 1" x 1/2" | 3.500 | T32M-100050PL | T32M-100050PM |
| 1" x 3/4" | 3.000 | T32M-100075PL | T32M-100075PM |
| 1 1/2" x 1/2" | 4.500 | T32M-150050PL | T32M-150050PM |
| 1 1/2" x 3/4" | 4.000 | T32M-150075PL | T32M-150075PM |
| 1 1/2" x 1" | 4.000 | T32M-150100PL | T32M-150100PM |
| 2" x 1/2" | 6.500 | T32M-200050PL | T32M-200050PM |
| 2" x 3/4" | 6.000 | T32M-200075PL | T32M-200075PM |
| 2" x 1" | 6.000 | T32M-200100PL | T32M-200100PM |
| 2" x 1 1/2" | 4.000 | T32M-200150PL | T32M-200150PM |
| 2 1/2" x 1/2" | 8.500 | T32M-250050PL | T32M-250050PM |
| 2 1/2" x 3/4" | 8.000 | T32M-250075PL | T32M-250075PM |
| 2 1/2" x 1" | 8.000 | T32M-250100PL | T32M-250100PM |
| 2 1/2" x 1 1/2" | 6.000 | T32M-250150PL | T32M-250150PM |
| 2 1/2" x 2" | 4.250 | T32M-250200PL | T32M-250200PM |
| 3" x 1" | 10.000 | T32M-300100PL | T32M-300100PM |
| 3" x 1 1/2" | 8.000 | T32M-300150PL | T32M-300150PM |
| 3" x 2" | 6.250 | T32M-300200PL | T32M-300200PM |
| 3" x 2 1/2" | 4.250 | T32M-300250PL | T32M-300250PM |
| 4" x 1" | 14.125 | T32M-400100PL | T32M-400100PM |
| 4" x 1 1/2" | 12.125 | T32M-400150PL | T32M-400150PM |
| 4" x 2" | 10.375 | T32M-400200PL | T32M-400200PM |
| 4" x 2 1/2" | 8.375 | T32M-400250PL | T32M-400250PM |
| 4" x 3" | 6.375 | T32M-400300PL | T32M-400300PM |
| 6" x 3" | 8.750 | T32M-600300PL | T32M-600300PM |
| 6" x 4" | 9.000 | T32M-600400PL | T32M-600400PM |



BPE Table DT-4.1.3-2(a)

Clamp x Clamp Eccentric Reducers - T3214MP

| Size | A | PL Finish - SF1 | PM Finish - SF4 |
|-----------------|--------|-----------------|-----------------|
| 3/4" x 1/2" | 2.000 | T3214MP075050PL | T3214MP075050PM |
| 1" x 1/2" | 2.500 | T3214MP100050PL | T3214MP100050PM |
| 1" x 3/4" | 2.000 | T3214MP100075PL | T3214MP100075PM |
| 1 1/2" x 1/2" | 3.500 | T3214MP150050PL | T3214MP150050PM |
| 1 1/2" x 3/4" | 3.000 | T3214MP150075PL | T3214MP150075PM |
| 1 1/2" x 1" | 3.000 | T3214MP150100PL | T3214MP150100PM |
| 2" x 1/2" | 5.500 | T3214MP200050PL | T3214MP200050PM |
| 2" x 3/4" | 5.000 | T3214MP200075PL | T3214MP200075PM |
| 2" x 1" | 5.000 | T3214MP200100PL | T3214MP200100PM |
| 2" x 1 1/2" | 3.000 | T3214MP200150PL | T3214MP200150PM |
| 2 1/2" x 1/2" | 7.500 | T3214MP250050PL | T3214MP250050PM |
| 2 1/2" x 3/4" | 7.000 | T3214MP250075PL | T3214MP250075PM |
| 2 1/2" x 1" | 7.000 | T3214MP250100PL | T3214MP250100PM |
| 2 1/2" x 1 1/2" | 5.000 | T3214MP250150PL | T3214MP250150PM |
| 2 1/2" x 2" | 3.000 | T3214MP250200PL | T3214MP250200PM |
| 3" x 1" | 9.000 | T3214MP300100PL | T3214MP300100PM |
| 3" x 1 1/2" | 7.000 | T3214MP300150PL | T3214MP300150PM |
| 3" x 2" | 5.000 | T3214MP300200PL | T3214MP300200PM |
| 3" x 2 1/2" | 3.000 | T3214MP300250PL | T3214MP300250PM |
| 4" x 1" | 13.125 | T3214MP400100PL | T3214MP400100PM |
| 4" x 1 1/2" | 11.125 | T3214MP400150PL | T3214MP400150PM |
| 4" x 2" | 9.125 | T3214MP400200PL | T3214MP400200PM |
| 4" x 2 1/2" | 7.125 | T3214MP400250PL | T3214MP400250PM |
| 4" x 3" | 5.125 | T3214MP400300PL | T3214MP400300PM |
| 6" x 3" | 7.500 | T3214MP600300PL | T3214MP600300PM |
| 6" x 4" | 7.625 | T3214MP600400PL | T3214MP600400PM |



BPE Table DT-4.1.3-3(a)

Note: Not all sizes and finishes are stocked
PL Finish – SF1

PM Finish – SF4

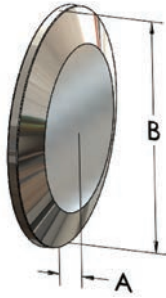
GOODYEAR
GOODYEARBELTING.COM

Call Toll Free: 1-866-711-4673
International: +1-727-342-5086

**We Ship
World Wide**

High Purity BioPharm Line

Solid End Caps - T16AMP



BPE Table DT-4.1.5-2

| Size | A | B | PL Finish - SF1 | PM Finish - SF4 |
|-------------|-------|-------|------------------------|------------------------|
| 1/2" - 3/4" | 0.190 | 1.000 | <i>T16AMP-050075PL</i> | <i>T16AMP-050075PM</i> |
| 1" - 1 1/2" | 0.250 | 1.990 | <i>T16AMP-100150PL</i> | <i>T16AMP-100150PM</i> |
| 2" | 0.250 | 2.520 | <i>T16AMP-200PL</i> | <i>T16AMP-200PM</i> |
| 2 1/2" | 0.250 | 3.050 | <i>T16AMP-250PL</i> | <i>T16AMP-250PM</i> |
| 3" | 0.250 | 3.580 | <i>T16AMP-300PL</i> | <i>T16AMP-300PM</i> |
| 4" | 0.310 | 4.690 | <i>T16AMP-400PL</i> | <i>T16AMP-400PM</i> |
| 6" | 0.440 | 6.560 | <i>T16AMP-600PL</i> | <i>T16AMP-600PM</i> |

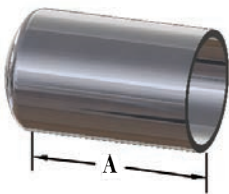
Auto Weld Ferrules - TL14AM7



BPE Table DT-4.1.4-1

| Size | A | PL Finish - SF1 | PM Finish - SF4 |
|--------|-------|----------------------|----------------------|
| 1/2" | 1.750 | <i>TL14AM7-050PL</i> | <i>TL14AM7-050PM</i> |
| 3/4" | 1.750 | <i>TL14AM7-075PL</i> | <i>TL14AM7-075PM</i> |
| 1" | 1.750 | <i>TL14AM7-100PL</i> | <i>TL14AM7-100PM</i> |
| 1 1/2" | 1.750 | <i>TL14AM7-150PL</i> | <i>TL14AM7-150PM</i> |
| 2" | 2.250 | <i>TL14AM7-200PL</i> | <i>TL14AM7-200PM</i> |
| 2 1/2" | 2.250 | <i>TL14AM7-250PL</i> | <i>TL14AM7-250PM</i> |
| 3" | 2.250 | <i>TL14AM7-300PL</i> | <i>TL14AM7-300PM</i> |
| 4" | 2.250 | <i>TL14AM7-400PL</i> | <i>TL14AM7-400PM</i> |
| 6" | 3.000 | <i>TL14AM7-600PL</i> | <i>TL14AM7-600PM</i> |

Weld Caps - T16W



BPE Table DT-4.1.5-1

| Size | A | PL Finish - SF1 | PM Finish - SF4 |
|--------|-------|-------------------|-------------------|
| 1/2" | 1.500 | <i>T16W-050PL</i> | <i>T16W-050PM</i> |
| 3/4" | 1.500 | <i>T16W-075PL</i> | <i>T16W-075PM</i> |
| 1" | 1.500 | <i>T16W-100PL</i> | <i>T16W-100PM</i> |
| 1 1/2" | 1.500 | <i>T16W-150PL</i> | <i>T16W-150PM</i> |
| 2" | 1.500 | <i>T16W-200PL</i> | <i>T16W-200PM</i> |
| 2 1/2" | 1.500 | <i>T16W-250PL</i> | <i>T16W-250PM</i> |
| 3" | 1.500 | <i>T16W-300PL</i> | <i>T16W-300PM</i> |
| 4" | 2.000 | <i>T16W-400PL</i> | <i>T16W-400PM</i> |
| 6" | 2.500 | <i>T16W-600PL</i> | <i>T16W-600PM</i> |

Note: Not all sizes and finishes are stocked

PL Finish – SF1

OD = 32R_a Mechanically Polished

ID = 20R_a Mechanically Polished

PM Finish – SF4

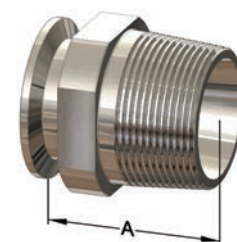
OD = 32R_a Mechanically Polished

ID = 15R_a Mechanically Polished and Electropolished

High Purity BioPharm Line

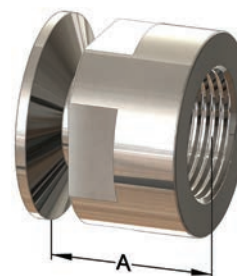
Clamp Adapter x Male NPT - T21MP

| Size | A | PL Finish - SF1 |
|-------------|-------|-----------------------|
| 1/2" x 1/4" | 2.000 | <i>T21MP-050025PL</i> |
| 1/2" x 3/8" | 2.000 | <i>T21MP-050375PL</i> |
| 1/2" | 1.625 | <i>T21MP-050PL</i> |
| 1/2" x 3/4" | 2.000 | <i>T21MP-050075PL</i> |
| 3/4" x 1/4" | 2.000 | <i>T21MP-075025PL</i> |
| 3/4" x 3/8" | 2.000 | <i>T21MP-075375PL</i> |
| 3/4" x 1/2" | 2.000 | <i>T21MP-075050PL</i> |
| 3/4" | 2.250 | <i>T21MP-075PL</i> |
| 1" | 2.250 | <i>T21MP-100PL</i> |
| 1 1/2" | 2.250 | <i>T21MP-150PL</i> |
| 2" | 2.638 | <i>T21MP-200PL</i> |
| 2 1/2" | 2.875 | <i>T21MP-250PL</i> |
| 3" | 3.070 | <i>T21MP-300PL</i> |
| 4" | 3.155 | <i>T21MP-400PL</i> |



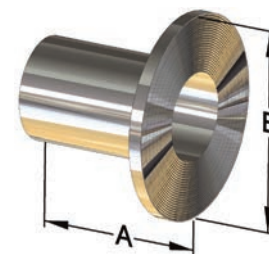
Clamp Adapter x Female NPT - T22MP

| Size | A | PL Finish - SF1 |
|-------------|-------|-----------------------|
| 1/2" x 1/8" | 1.250 | <i>T22MP-050125PL</i> |
| 1/2" x 1/4" | 1.500 | <i>T22MP-050025PL</i> |
| 1/2" x 3/8" | 1.500 | <i>T22MP-050375PL</i> |
| 1/2" | 1.500 | <i>T22MP-050PL</i> |
| 1/2" x 3/4" | 1.500 | <i>T22MP-050075PL</i> |
| 3/4" x 1/4" | 1.500 | <i>T22MP-075025PL</i> |
| 3/4" x 3/8" | 1.500 | <i>T22MP-075375PL</i> |
| 3/4" x 1/2" | 1.625 | <i>T22MP-075050PL</i> |
| 3/4" | 1.625 | <i>T22MP-075PL</i> |
| 1" | 1.625 | <i>T22MP-100PL</i> |
| 1 1/2" | 2.250 | <i>T22MP-150PL</i> |
| 2" | 2.406 | <i>T22MP-200PL</i> |
| 2 1/2" | 2.187 | <i>T22MP-250PL</i> |
| 3" | 2.187 | <i>T22MP-300PL</i> |
| 4" | 2.625 | <i>T22MP-400PL</i> |



Stub Adapters - T14VB

| Size | A | B | PL Finish - SF1 |
|--------|-------|-------|--------------------|
| 1/2" | 2.000 | 1.625 | <i>T14VB-050PL</i> |
| 3/4" | 2.000 | 1.687 | <i>T14VB-075PL</i> |
| 1" | 2.000 | 2.000 | <i>T14VB-100PL</i> |
| 1 1/2" | 2.000 | 2.875 | <i>T14VB-150PL</i> |
| 2" | 2.500 | 2.625 | <i>T14VB-200PL</i> |
| 2 1/2" | 2.500 | 4.125 | <i>T14VB-250PL</i> |
| 3" | 2.500 | 5.000 | <i>T14VB-300PL</i> |
| 4" | 2.500 | 6.187 | <i>T14VB-400PL</i> |
| 6" | 3.000 | 8.500 | <i>T14VB-600PL</i> |



3 All Fittings Comply with ASME BPE-2012 - Table DT-3-1
 Final Tolerances for
 Mechanically Polished Fittings and Process Components (inches)

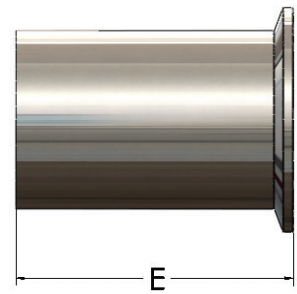
| Nominal Size | OD | Wall Thickness | Squareness Face to Tangent (B) | Off Angle (O) | Tolerance on End-to-End (E) and Center-to-End (A) | Off Plane (P) |
|--------------|--------|----------------|--------------------------------|---------------|---|---------------|
| 1/2" | ±0.005 | +0.005/-0.008 | 0.005 | 0.014 | 0.050 | 0.030 |
| 3/4" | ±0.005 | +0.005/-0.008 | 0.005 | 0.018 | 0.050 | 0.030 |
| 1" | ±0.005 | +0.005/-0.008 | 0.008 | 0.025 | 0.050 | 0.030 |
| 1 1/2" | ±0.008 | +0.005/-0.008 | 0.008 | 0.034 | 0.050 | 0.050 |
| 2" | ±0.008 | +0.005/-0.008 | 0.008 | 0.043 | 0.050 | 0.050 |
| 2 1/2" | ±0.010 | +0.005/-0.008 | 0.010 | 0.054 | 0.050 | 0.050 |
| 3" | ±0.010 | +0.005/-0.008 | 0.016 | 0.068 | 0.050 | 0.050 |
| 4" | ±0.015 | +0.008/-0.010 | 0.016 | 0.086 | 0.050 | 0.060 |



Squareness to Face



Off Angle



End-to-End



Off Plane



Off Angle



Center-to-End

Technical Specifications

Weld End chemical analysis (%) per ASME BPE 2012 Table MM - 2.1-1 and MM - 5.1.1

| Element | C | Mn | P | S | Si | Cr | Ni | Mo |
|---------|-------|------|-------|-------|------|-------|-------|------|
| minimum | --- | --- | --- | 0.005 | --- | 16.00 | 10.00 | 2.00 |
| maximum | 0.030 | 2.00 | 0.045 | 0.017 | 1.00 | 18.00 | 15.00 | 3.00 |

BPE Surface Finish Requirements (Table SF-2.4-1)

| Surface designation | Mechanically Polished ID and OD | | Dixon Sanitary High Purity code |
|---------------------|---------------------------------|-----------------------|------------------------------------|
| | R _a Maximum | | |
| | ID μ-in. | OD μ-in | |
| SF0 | no finish requirement | no finish requirement | |
| SF1 | 20 | 32 | PL |
| SF2 | 25 | 32 | |
| SF3 | 30 | 32 | |

| Surface designation | Mechanically Polished OD and Electropolished ID | | |
|---------------------|---|---------|-----------|
| | R _a Maximum | | |
| | ID μ-in. | OD μ-in | |
| SF4 | 15 | 32 | PM |
| SF5 | 20 | 32 | |
| SF6 | 25 | 32 | |

Acceptance Criteria for Stainless Steel Mechanically Polished Product Contact Surface Finishes

| Anomaly or Indication | Acceptance Criteria |
|-------------------------------------|--|
| Pits | If diameter <0.020" and bottom is shiny [Notes (2) and (4)]. Pits <0.003" Diameter is irrelevant and acceptable. |
| Cluster of pits | No more than 4 pits per each ½" x ½" inspection window. The cumulative total of all relevant pits shall not exceed 0.040". |
| Dents | None accepted [note (1)] |
| Finishing marks | If R _a maximum is met |
| Welds | As welded shall meet requirements of MJ-6. If welds are finished, then shall be smooth and blended. |
| Nicks | None accepted |
| Scratches | For tubing, if cumulative length is <12.0" per 20' tube length or prorated and if depth is <0.003" For fittings, valves and other process components, if length is <0.25" cumulatively, depth <0.003" and R _a max. is met. For vessels, if length <0.50" at 0.003 depth and if <3 per inspection window [Note (3)]. |
| Surface cracks | None accepted |
| Surface inclusions | If R _a max. is met |
| Surface residuals | None accepted, visual inspection |
| Surface roughness (R _a) | See Table SF-3 (see above) |
| Weld slag | For tubing, up to 3 per 20' length or prorated, if <75% of the width of the weld bead. For fittings, valves, vessels and other process components, none accepted (as welded shall meet the requirements of MJ-6 and Table MJ-3). |
| Porosity | None open to the surface |

Notes:

- For vessels, dents in the area covered by and resulting from welding dimple heat transfer jackets are acceptable.
- Black bottom pit of any depth is not acceptable.
- An inspection window is defined as an area 4" x 4".
- Pits in super-austenitic and nickel alloys may exceed this value. Acceptance criteria for pit size shall be established by agreement between owner/user and manufacturer. All other pit criteria remain the same.

Packaging

Product markings per ASME BPE 2012 DT-10.1

- Dixon Sanitary
- job number
- 316L stainless steel
- Dixon Sanitary part number
- heat number(s)
- surface finish code
- ASME BPE

Per the specification, the size of the fitting may limit the space available for markings. When that occurs, the markings starting at the bottom of the list are not applied. The Dixon Sanitary part number will describe the part configuration and size.

MTR certifications are included inside the resealable bag with each fitting. The MTRs are traceable through the Job Number found on each fitting. All fittings are capped to prevent damage and contamination. For easy identification each finish will have a different color cap.

| Finish ¹ | Color Caps |
|---------------------|------------|
| PL/SF1 | blue |
| PM/SF4 | white |

¹ see page 106 for finish standards

Dixon Sanitary High Purity BioPharm Fittings

316L (S31603) Stainless Steel Material Test Report

Job Number **AB242**

| Bradford™ Part Number | Description | Size | Surface finish |
|-----------------------|--|-------|----------------|
| T7RWWW-100075PL | Automatic Weld Reducing Tee per Table DT-4.1.2-6 | 1"x¾" | SF1 (20Ra) |

Chemical analysis (%) per ASME BPE 2012 Table MM-2.1-1 and Section MM-5.1.1

| Item | Heat number | C | Mn | P | S | Si | Cr | Ni | Mo | N |
|------|-------------|-------|------|-------|-------|------|-------|-------|------|------|
| | | 0.030 | 2.00 | 0.045 | 0.017 | 1.00 | 16.00 | 10.00 | 2.00 | |
| M | 952662 | 0.018 | 1.53 | 0.032 | 0.012 | 0.42 | 16.80 | 10.10 | 2.03 | 0.06 |
| B | H4V0 | 0.019 | 1.46 | 0.035 | 0.015 | 0.25 | 16.70 | 10.10 | 2.05 | 0.05 |
| | | | | | | | | | | |
| | | | | | | | | | | |

Mechanical Test Results

| Item | Yield Strength (0.2%), MPa | Tensile Strength, MPa | Elongation, % | Hardness, HRB | Specification |
|------|-------------------------------|--------------------------|------------------|------------------|--------------------|
| | 170 minimum | 485 minimum | 35 minimum | 90 maximum | |
| M | 330 | 600 | 62.0 | 84 | ASTM A270/A270M S2 |
| B | 387 | 621 | 50.0 | 85 | ASTM A270/A270M S2 |
| | | | | | |
| | | | | | |

Product of Thailand

We certify that the above is a true copy of the test results issued by the material supplier. This MTR conforms to EN10204-3.1. All fittings supplied by Dixon Sanitary conform to the requirements of the European Union Directive 2002/95/EC on the restriction of the use of certain hazardous substances in electrical and electronic equipment (RoHS).



James G. LeClair
VP / Division Manager

Dixon Sanitary
N25 W23040 Paul Rd.
Davenport, WI 53072



GOODYEAR
GOODYEARBELTING.COM

Call Toll Free: 1-866-711-4673
International: +1-727-342-5086

**We Ship
World Wide**

Dixon Sanitary Tubing



Product Specifications

Size range:

- ½" - 6" OD tube

Materials:

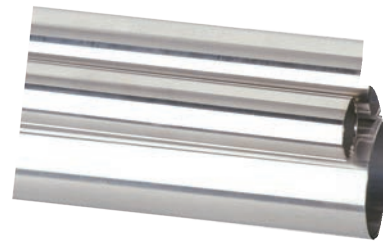
- G = 304 stainless steel
- R = 316L stainless steel

Finish:

- 3A sanitary finish ID and OD; Typical 20Ra ID, 32Ra OD
- unpolished
- BPE finishes are available

Notes:

- tubing available in 20' lengths only
- surcharges change MONTHLY
- broken box charges will apply
- tubing only ships via truck
- call Dixon Sanitary for pricing and full freight allowance
- other sizes may be available, call Dixon Sanitary for information
- tubing is NOT returnable



| Tube OD | Nominal Wall Thickness (inches) | Gage Number | Wt. Pounds per Ft. |
|---------|---------------------------------|-------------|--------------------|
| ½" | .065 | 16 | 0.31 |
| ¾" | .065 | 16 | 0.49 |
| 1" | .065 | 16 | 0.67 |
| 1½" | .065 | 16 | 1.02 |
| 2" | .065 | 16 | 1.36 |
| 2½" | .065 | 16 | 1.71 |
| 3" | .065 | 16 | 2.06 |
| 4" | .083 | 14 | 3.45 |
| 6" | .109 | 12 | 6.92 |

Operating Pressures

304 Stainless Steel Tube

| Tube OD Size | Nominal Wall Thickness (inches) | Pressure (PSI) | | |
|--------------|---------------------------------|----------------|-------|--------|
| | | working | yield | burst |
| ½" | .065 | 4,870 | 7,800 | 19,500 |
| ¾" | .065 | 3,250 | 5,200 | 13,000 |
| 1" | .065 | 2,440 | 3,900 | 9,800 |
| 1½" | .065 | 1,630 | 2,600 | 6,500 |
| 2" | .065 | 1,220 | 2,000 | 4,900 |
| 2½" | .065 | 980 | 1,600 | 3,900 |
| 3" | .065 | 810 | 1,300 | 3,300 |
| 4" | .083 | 780 | 1,200 | 3,100 |
| 6" | .109 | 680 | 1,090 | 2,720 |

The pressures shown in the table above are calculated using Barlow's Formula and the following properties:

- material: 304
- yield strength (PSI): **30,000**
- tensile strength (PSI): **75,000**

Working Pressure = ¼ of Burst Pressure, these calculate from -20°F to 100°F.

316L Stainless Steel Tube

| Tube OD Size | Nominal Wall Thickness (inches) | Pressure (PSI) | | |
|--------------|---------------------------------|----------------|-------|--------|
| | | working | yield | burst |
| ½" | .065 | 3,250 | 6,500 | 19,500 |
| ¾" | .065 | 2,167 | 4,330 | 13,000 |
| 1" | .065 | 2,280 | 3,300 | 9,100 |
| 1½" | .065 | 1,520 | 2,200 | 6,100 |
| 2" | .065 | 1,140 | 1,600 | 4,600 |
| 2½" | .065 | 910 | 1,300 | 3,600 |
| 3" | .065 | 760 | 1,100 | 3,000 |
| 4" | .083 | 730 | 1,000 | 2,900 |
| 6" | .109 | 635 | 900 | 2,540 |

The pressures shown in the table above are calculated using Barlow's Formula and the following properties:

- material: 316L
- yield strength (PSI): **25,000**
- tensile strength (PSI): **70,000**

Working Pressure = ¼ of Burst Pressure, these calculate from -20°F to 100°F.



Pipe size and Tube OD size materials are not interchangeable

Index

ASTM-A270 Polished ID and OD Tubing

Polished ID and OD - ASTM-A270



| Size | Packaged | 304 Stainless Steel Part Number | 316L Stainless Steel Part Number |
|--------|----------|---------------------------------|----------------------------------|
| 1/2" | 100' | --- | A270-R50P |
| 3/4" | 100' | --- | A270-R75P |
| 1" | 280' | A270-G100P | A270-R100P |
| 1 1/2" | 340' | A270-G150P | A270-R150P |
| 2" | 340' | A270-G200P | A270-R200P |
| 2 1/2" | 220' | A270-G250P | A270-R250P |
| 3" | 220' | A270-G300P | A270-R300P |
| 4" | 100' | A270-G400P | A270-R400P |
| 6" | 40' | A270-G600P | A270-R600P |

Tolerances for Welded Tubing - ASTM-A270

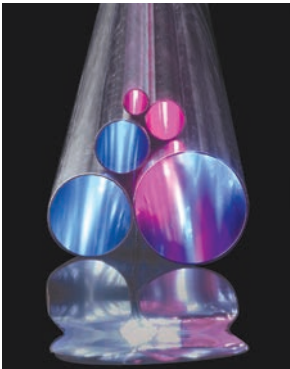
| Tube OD Size | Nominal Wall Thickness (inches) | OD Tolerance | Wall Thickness Tolerance | Ovality Allowance |
|--------------|---------------------------------|-----------------|--------------------------|-------------------|
| 1/2" | .065 | + .002 / - .008 | ± .008 | ± .010 |
| 3/4" | .065 | + .002 / - .008 | ± .008 | ± .010 |
| 1" | .065 | + .002 / - .008 | ± .008 | ± .010 |
| 1 1/2" | .065 | + .002 / - .008 | ± .008 | ± .020 |
| 2" | .065 | + .002 / - .011 | ± .008 | ± .020 |
| 2 1/2" | .065 | + .002 / - .011 | ± .008 | ± .020 |
| 3" | .065 | + .003 / - .012 | ± .008 | ± .020 |
| 4" | .083 | + .003 / - .015 | ± .010 | ± .020 |
| 6" | .109 | + .030 / - .030 | ± .014 | ± .030 |

Features:

- ASTM-A270-02 welded austenitic stainless steel sanitary tubing

ASTM-A269 Unpolished ID and OD Tubing

Unpolished ID and OD - ASTM-A269



| Size | Packaged | 304 Stainless Steel Part Number | 316 Stainless Steel Part Number |
|--------|----------|---------------------------------|---------------------------------|
| 1" | 280' | A269-G100U | A269-R100U |
| 1 1/2" | 340' | A269-G150U | A269-R150U |
| 2" | 340' | A269-G200U | A269-R200U |
| 2 1/2" | 220' | A269-G250U | A269-R250U |
| 3" | 220' | A269-G300U | A269-R300U |
| 4" | 100' | A269-G400U | A269-R400U |
| 6" | 40' | A269-G600U | A269-R600U |

Tolerances for Welded Tubing - ASTM-A269

| Tube OD Size | Nominal Wall Thickness (inches) | OD Tolerance | Wall Thickness Tolerance | Ovality Allowance |
|--------------|---------------------------------|--------------|--------------------------|-------------------|
| 1" | .065 | ± .005 | ± .006 | ± .010 |
| 1 1/2" | .065 | ± .010 | ± .006 | ± .020 |
| 2" | .065 | ± .010 | ± .006 | ± .020 |
| 2 1/2" | .065 | ± .010 | ± .006 | ± .020 |
| 3" | .065 | ± .010 | ± .006 | ± .020 |
| 4" | .083 | ± .015 | ± .008 | ± .030 |
| 6" | .109 | ± .030 | ± .010 | ± .030 |

Features:

- ASTM-A269-02 welded austenitic stainless steel sanitary tubing for general service
- other sizes and materials available, call Dixon Sanitary for information

Dixon Sanitary Tube Hangers

Product Specifications

Size range:

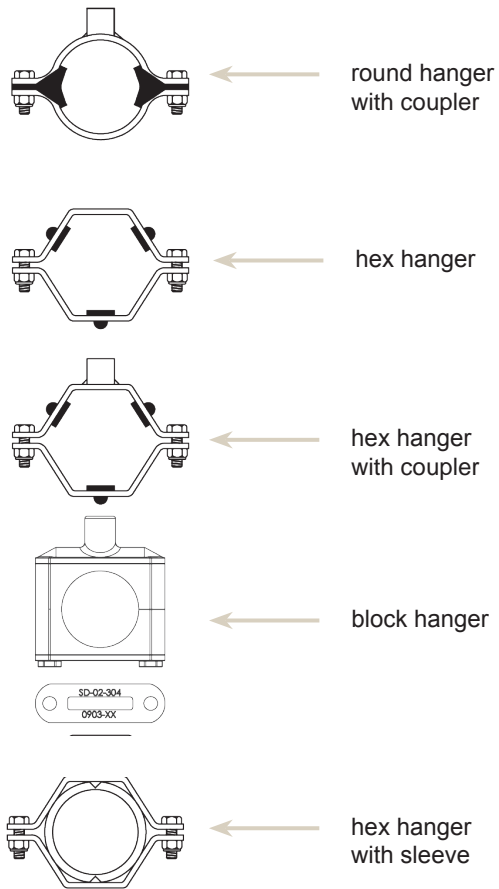
- ½" - 12" OD tube

Materials:

- hanger base: 304 stainless steel
- hanger inserts: nitrile..... rated to 230°F
 ABS (sleeve) rated to 230°F
 FKM..... rated to 400°F
 Polypropylene rated to 212°F
 Polysulfone..... rated to 325°F
 Silicone..... rated to 320°F

| Tube OD | Nominal Wall Thickness (inches) | Gage Number |
|---------|---------------------------------|-------------|
| ½" | .065 | 16 |
| ¾" | .065 | 16 |
| 1" | .065 | 16 |
| 1½" | .065 | 16 |
| 2" | .065 | 16 |
| 2½" | .065 | 16 |
| 3" | .065 | 16 |
| 4" | .083 | 14 |
| 5" | .109 | 12 |
| 6" | .109 | 12 |
| 8" | .120 | 10 |
| 10" | .109 | 12 |
| 12" | .120 | 10 |

Complete Support



Support Recommendations

Lines are not to be rigidly anchored to equipment. Lines must be allowed to float. Temperatures cause expansion and contraction and if mounted incorrectly will cause distortion and possibly leakage.

Proper Installation:

- straight sections need support every 10 feet
- each side of every valve (as close as possible to the connection) needs support
- support each change of directions

Index

| | | | |
|----------------------|---------|---------------------|---------|
| Hex Hangers..... | 110-112 | Round Hangers | 112 |
| Grommets..... | 111 | Block Hangers | 113-114 |
| Nuts and Bolts | 111 | Wall Flanges..... | 114 |
| Sleeves..... | 112 | | |



Call Toll Free: 1-866-711-4673
International: + 1-727-342-5086

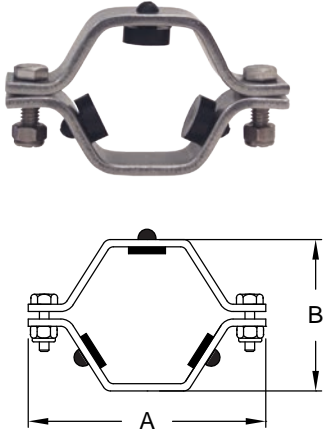


Tube Hex Hangers

Hex Hanger with Nitrile Grommets - B24RG

Features:

- Nitrile grommets maximum temperature: **230°F**
- All hex and round style hangers can be equipped with the following coupler options:
 - 3/8 NPT
 - all thread: 3/8-16 or 1/2-13

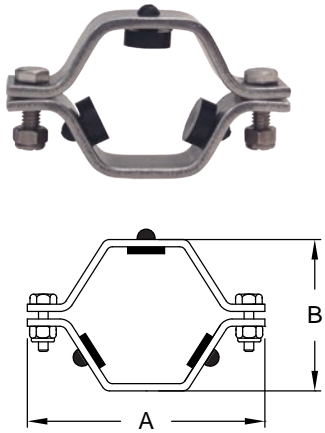


| Tube OD | A | B | 304 Stainless Steel Part Number |
|---------|--------|--------|---------------------------------|
| ½" - ¾" | 3.425 | 1.450 | B24RG-G75 |
| 1" | 3.425 | 1.450 | B24RG-G100 |
| 1½" | 4.000 | 2.125 | B24RG-G150 |
| 2" | 4.500 | 2.500 | B24RG-G200 |
| 2½" | 4.950 | 3.125 | B24RG-G250 |
| 3" | 5.500 | 3.750 | B24RG-G300 |
| 4" | 6.950 | 4.750 | B24RG-G400 |
| 5" | 8.000 | 5.625 | B24RG-G500 |
| 6" | 9.250 | 6.625 | B24RG-G600 |
| 8" | 11.500 | 8.625 | B24RG-G800 |
| 10" | 14.500 | 10.500 | B24RG-G1000 |
| 12" | 16.750 | 12.625 | B24RG-G1200 |

Hex Hanger with FKM Grommets - B24RGSFY

Features:

- FKM grommets maximum temperature: **392°F**
- All hex and round style hangers can be equipped with the following coupler options:
 - 3/8 NPT
 - all thread: 3/8-16 or 1/2-13

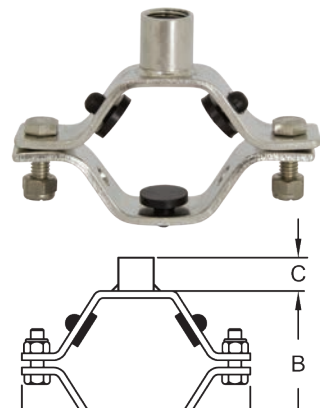


| Tube OD | A | B | 304 Stainless Steel Part Number |
|---------|--------|--------|---------------------------------|
| ½" | 3.625 | 2.125 | B24RGSFY-G50 |
| ¾" | 3.625 | 2.125 | B24RGSFY-G75 |
| 1" | 3.625 | 2.125 | B24RGSFY-G100 |
| 1½" | 3.625 | 2.125 | B24RGSFY-G150 |
| 2" | 4.313 | 2.625 | B24RGSFY-G200 |
| 2½" | 4.875 | 3.125 | B24RGSFY-G250 |
| 3" | 5.375 | 3.625 | B24RGSFY-G300 |
| 4" | 6.563 | 4.750 | B24RGSFY-G400 |
| 6" | 9.000 | 6.625 | B24RGSFY-G600 |
| 8" | 11.250 | 8.750 | B24RGSFY-G800 |
| 10" | 14.500 | 10.500 | B24RGSFY-G1000 |
| 12" | 16.750 | 12.625 | B24RGSFY-G1200 |

Hex Hanger with Nitrile Grommets and Coupler - B24RGC

Features:

- Nitrile grommets maximum temperature: **230°F**
- Coupler has 3/8 NPT



| Tube OD | A | B | C | 304 Stainless Steel Part Number |
|---------|-------|-------|------|---------------------------------|
| ½" - ¾" | 3.425 | 1.450 | .750 | B24RGC-G75 |
| 1" | 3.425 | 1.450 | .750 | B24RGC-G100 |
| 1½" | 4.000 | 2.125 | .750 | B24RGC-G150 |
| 2" | 4.500 | 2.500 | .750 | B24RGC-G200 |
| 2½" | 4.750 | 3.125 | .750 | B24RGC-G250 |
| 3" | 5.500 | 3.750 | .750 | B24RGC-G300 |
| 4" | 6.750 | 4.750 | .750 | B24RGC-G400 |

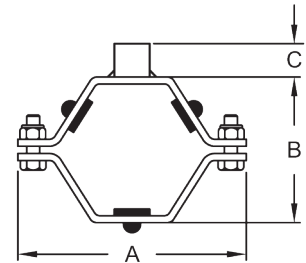
Tube Hex Hangers

Hex Hanger with Nitrile Grommets and All Thread Coupler - B24RGC16

Features:

- Nitrile grommets maximum temperature: **230°F**
- Coupler is all thread 3/8-16

| Tube OD | A | B | C | 304 Stainless Steel Part Number |
|-------------|--------|-------|------|---------------------------------|
| 1/2" - 3/4" | 3.425 | 1.450 | .750 | B24RGC16-G75 |
| 1" | 3.425 | 1.450 | .750 | B24RGC16-G100 |
| 1 1/2" | 4.000 | 2.125 | .750 | B24RGC16-G150 |
| 2" | 4.500 | 2.500 | .750 | B24RGC16-G200 |
| 2 1/2" | 4.750 | 3.125 | .750 | B24RGC16-G250 |
| 3" | 5.500 | 3.750 | .750 | B24RGC16-G300 |
| 4" | 6.750 | 4.750 | .750 | B24RGC16-G400 |
| 6" | 9.250 | 6.625 | .750 | B24RGC16-G600 |
| 8" | 11.500 | 8.625 | .750 | B24RGC16-G800 |



Nuts and Bolts - 13NHN

Features:

- All sizes hex hangers with grommets and round hangers 1" to 4" use 13NHN-G100-600 fastener sets
- 1/2" and 3/4" round and sleeved hangers use 13NHN-G75 fastener sets
- 2 nuts and bolts supplied to a set

| Size | Description | 304 Stainless Steel Part Number |
|-------------|------------------------------------|---------------------------------|
| 1/2" - 3/4" | 1/4-20 x 3/4" bolt with nylock nut | 13NHN-G75 |
| 1" - 12" | 5/16-18 x 1" bolt with nylock nut | 13NHN-G100-600 |



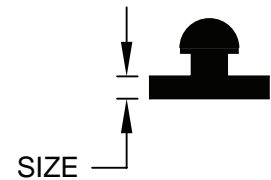
K

Grommets - 13RG

Features:

- Nitrile grommets maximum temperature: **230°F**
- FKM grommets maximum temperature: **392°F**

| Size | Nitrile Part Number | FKM Part Number |
|-------------------|---------------------|-----------------|
| 1/8" ¹ | 13RG18 | 13RGV18 |
| 1/4" | 13RG14 | 13RGV14 |
| 1/2" | 13RG12 | 13RGV12 |
| 3/8" ² | 13RG3/8 | 13RGV38 |
| 5/8" | 13RG58 | 13RGV58 |



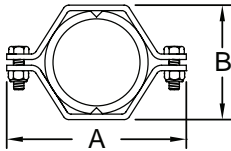
¹ for 1" hangers and larger
² for 1/2" and 3/4" hangers

Tube Hex Hangers

Hex Hanger with ABS Sleeve - B24PS

Feature:

- ABS sleeve maximum temperature: 230°F

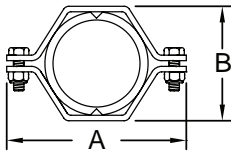


| Tube OD | A | B | 304 Stainless Steel Part Number |
|---------|--------|--------|---------------------------------|
| 1/2" | 2.800 | 1.150 | B24PS-G50 |
| 3/4" | 2.800 | 1.150 | B24PS-G75 |
| 1" | 3.425 | 1.450 | B24PS-G100 |
| 1 1/2" | 4.000 | 2.125 | B24PS-G150 |
| 2" | 4.500 | 2.500 | B24PS-G200 |
| 2 1/2" | 4.950 | 3.125 | B24PS-G250 |
| 3" | 5.500 | 3.750 | B24PS-G300 |
| 4" | 6.950 | 4.750 | B24PS-G400 |
| 5" | 8.063 | 5.625 | B24PS-G500 |
| 6" | 9.250 | 6.625 | B24PS-G600 |
| 8" | 11.500 | 8.625 | B24PS-G800 |
| 10" | 14.500 | 10.500 | B24PS-G1000 |
| 12" | 16.625 | 13.000 | B24PS-G1200 |

Hex Hanger with High Temperature Polysulfone Sleeve - B24HS

Feature:

- High temperature sleeve maximum temperature: 325°F



| Tube OD | A | B | 304 Stainless Steel Part Number |
|---------|-------|-------|---------------------------------|
| 1/2" | 2.375 | 1.062 | B24HS-G50 |
| 3/4" | 2.625 | 1.188 | B24HS-G75 |
| 1" | 2.688 | 1.563 | B24HS-G100 |
| 1 1/2" | 3.625 | 2.125 | B24HS-G150 |
| 2" | 4.625 | 2.625 | B24HS-G200 |
| 2 1/2" | 4.813 | 3.125 | B24HS-G250 |
| 3" | 5.375 | 3.625 | B24HS-G300 |
| 4" | 6.625 | 4.625 | B24HS-G400 |
| 6" | 9.000 | 6.625 | B24HS-G600 |

Features: Sleeves - 13*S

- ABS sleeve maximum temperature: 230°F
- High temperature sleeve maximum temperature: 325°F



| Size | ABS Part Number | High Temperature Part Number |
|--------|------------------|------------------------------|
| 1/2" | 13PS-50 | 13HS-50 |
| 3/4" | 13PS-75 | 13HS-75 |
| 1" | 13PS-100 | 13HS-100 |
| 1 1/2" | 13PS-150 | 13HS-150 |
| 2" | 13PS-200 | 13HS-200 |
| 2 1/2" | 13PS-250 | 13HS-250 |
| 3" | 13PS-300 | 13HS-300 |
| 4" | 13PS-400 | 13HS-400 |
| 5" | 13PS-500 | --- |
| 6" | 13PS-600 | 13HS-600 |
| 8" | 13PS-800 | --- |
| 10" | 13PS-1000 | --- |
| 12" | 13PS-1200 | --- |

Round Hanger with Nitrile Inserts - B24RPH

Features:

- Nitrile inserts maximum temperature: 230°F
- All hex and round style hangers can be equipped with the following coupler options: 3/8 NPT or all thread: 3/8-16 or 1/2-13



| Tube OD | A | B | 304 Stainless Steel Part Number |
|---------|-------|-------|---------------------------------|
| 1/2" | 2.750 | 1.125 | B24RPH-G50 |
| 3/4" | 2.750 | 1.125 | B24RPH-G75 |
| 1" | 3.310 | 1.500 | B24RPH-G100 |
| 1 1/2" | 3.810 | 2.000 | B24RPH-G150 |
| 2" | 4.250 | 2.562 | B24RPH-G200 |
| 2 1/2" | 5.000 | 3.000 | B24RPH-G250 |

Tube Uni-Hinge Block Hangers

Features:

- support range: 1½" - 4", optional 6" - contact Dixon Sanitary

Materials:

- silicone insert - 80 durometer; color: blue
- intermittent temperatures from -40°F to 320°F
- hardware - 304 & 316 stainless steel

Applications:

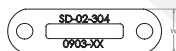
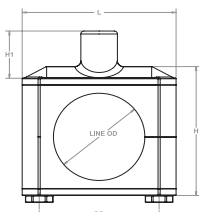
- clean rooms and mechanical areas; not limited to: biotech, pharmaceutical, food processing.
- low flow and low pressure systems with moderate vibration: WFI, SIP, CIP, process, utility and instrument lines.

Benefits:

- insulation envelope: reduced OD allows hanger to be buried under the insulation jacket.
- silicone inserts are one piece
- there are no exposed threads or openings in hardware plates
- all plates polished, bolts are cleaned and nuts are lubricated with FDA approved product
- hanger threads match MSS SP-69 rod OD requirements

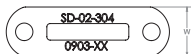
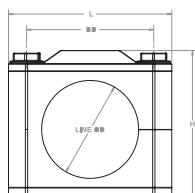


Hang Plate Block Hanger - B24-HP



| Tube OD | BD | H | H1 | L | Line OD | W | Thread | Part Number |
|---------|------|------|------|------|---------|------|---------|--------------------|
| ½" | 1.44 | 1.69 | 0.60 | 1.93 | 0.50 | 0.75 | 3/8"-16 | B24-HP-G050 |
| ¾" | 1.44 | 1.69 | 0.60 | 1.93 | 0.75 | 0.75 | 3/8"-16 | B24-HP-G075 |
| 1" | 1.44 | 1.69 | 0.60 | 1.93 | 1.00 | 0.75 | 3/8"-16 | B24-HP-G100 |
| 1½" | 1.94 | 2.19 | 0.60 | 2.49 | 1.50 | 0.75 | 3/8"-16 | B24-HP-G150 |
| 2" | 2.44 | 2.69 | 0.60 | 2.99 | 2.00 | 0.88 | 1/2"-13 | B24-HP-G200 |
| 2½" | 2.81 | 3.22 | 1.21 | 3.36 | 2.50 | 0.88 | 1/2"-13 | B24-HP-G250 |
| 3" | 3.44 | 3.97 | 1.21 | 3.99 | 3.00 | 0.88 | 1/2"-13 | B24-HP-G300 |
| 4" | 4.55 | 4.85 | 1.39 | 5.10 | 4.00 | 1.00 | 5/8"-11 | B24-HP-G400 |

Weld Plate Block Hanger - B24-WP

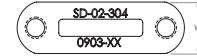
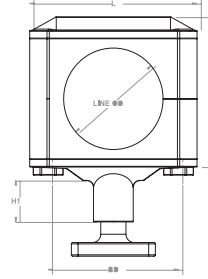


| Tube OD | BD | CL | H | L | Line OD | W | Part Number |
|---------|------|------|------|------|---------|------|--------------------|
| ½" | 1.44 | 0.79 | 1.73 | 1.93 | 0.50 | 0.75 | B24-WP-G050 |
| ¾" | 1.44 | 0.79 | 1.73 | 1.93 | 0.75 | 0.75 | B24-WP-G075 |
| 1" | 1.44 | 0.79 | 1.73 | 1.93 | 1.00 | 0.75 | B24-WP-G100 |
| 1½" | 1.94 | 1.03 | 2.23 | 2.49 | 1.50 | 0.75 | B24-WP-G150 |
| 2" | 2.44 | 1.31 | 2.75 | 2.99 | 2.00 | 0.88 | B24-WP-G200 |
| 2½" | 2.81 | 1.55 | 3.25 | 3.36 | 2.50 | 0.88 | B24-WP-G250 |

K

Tube Uni-Hinge Block Hangers

Base Mount Block Hanger - B24-BM

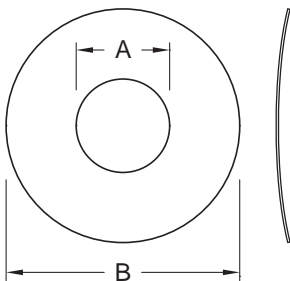


| Tube OD | BD | H | H1 | L | Line OD | W | Thread | Part Number |
|---------|------|------|------|------|---------|------|---------|--------------------|
| ½" | 1.44 | 1.70 | 0.47 | 1.93 | 0.50 | 0.75 | 3/8"-16 | B24-BM-G050 |
| ¾" | 1.44 | 1.70 | 0.47 | 1.93 | 0.75 | 0.75 | 3/8"-16 | B24-BM-G075 |
| 1" | 1.44 | 1.70 | 0.47 | 1.93 | 1.00 | 0.75 | 3/8"-16 | B24-BM-G100 |
| 1½" | 1.94 | 2.19 | 0.47 | 2.49 | 1.50 | 0.75 | 3/8"-16 | B24-BM-G150 |
| 2" | 2.44 | 2.69 | 0.47 | 2.99 | 2.00 | 0.88 | 1/2"-13 | B24-BM-G200 |
| 2½" | 2.81 | 3.19 | 0.59 | 3.36 | 2.50 | 0.88 | 1/2"-13 | B24-BM-G250 |
| 3" | 3.44 | 3.97 | 0.59 | 3.99 | 3.00 | 0.88 | 1/2"-13 | B24-BM-G300 |

Wall Flanges

Flanges - B25

K



| Tube OD | A | B ¹ | Wall Thickness | 304 Stainless Steel Part Number |
|---------|-------|----------------|----------------|---------------------------------|
| ½" | .50 | 3.00 | .065 | B25-G050300 |
| ½" | .50 | 5.00 | .065 | B25-G050500 |
| ¾" | .75 | 3.00 | .065 | B25-G075300 |
| ¾" | .75 | 5.00 | .065 | B25-G075500 |
| 1" | 1.00 | 3.00 | .065 | B25-G100300 |
| 1" | 1.00 | 5.00 | .065 | B25-G100500 |
| 1½" | 1.50 | 5.00 | .065 | B25-G150500 |
| 2" | 2.00 | 5.00 | .065 | B25-G200500 |
| 2½" | 2.50 | 5.00 | .065 | B25-G250500 |
| 3" | 3.00 | 6.00 | .065 | B25-G300600 |
| 4" | 4.00 | 7.00 | .065 | B25-G400700 |
| 5" | 5.00 | 8.00 | .065 | B25-G500800 |
| 6" | 6.00 | 10.00 | .065 | B25-G6001000 |
| 8" | 8.00 | 12.00 | .065 | B25-G8001200 |
| 10" | 10.00 | 14.00 | .065 | B25-G10001400 |
| 12" | 12.00 | 16.00 | .065 | B25-G12001600 |

¹ Square wall flanges are also available, call Dixon Sanitary for information.

Dixon Sanitary Sight Glasses

Product Specifications

Size Range:

- size range: 1" - 6" OD tube

Material:

- 316L stainless steel
- Borosilicate glass
- white Buna gaskets

Finish:

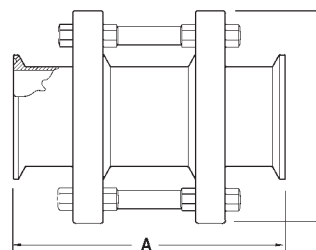
- 32R_a sanitary finish, ID and OD

In-Line Sight Glass - B54BMP

Features:

- various end configurations are available: clamp, weld, bevel seat, John Perry, I-Line and Q-Line
- maximum temperature: **200°F**

| Tube OD | A | B | Working Pressure | 316L Stainless Steel Part Number |
|---------|-------|-------|------------------|----------------------------------|
| 1" | 5.625 | 3.250 | 145 | B54BMP-R100 |
| 1½" | 5.625 | 4.000 | 145 | B54BMP-R150 |
| 2" | 5.625 | 4.250 | 145 | B54BMP-R200 |
| 2½" | 6.125 | 4.750 | 120 | B54BMP-R250 |
| 3" | 7.250 | 5.500 | 120 | B54BMP-R300 |
| 4" | 7.375 | 6.500 | 95 | B54BMP-R400 |
| 6" | 7.625 | 9.500 | 80 | B54BMP-R600 |



Kits and Replacement Parts

| Size | Seal Kit Part Number | Replacement Glass Part Number |
|------|----------------------|-------------------------------|
| 1" | B54BMP-SK100 | B54G-P100 |
| 1½" | B54BMP-SK150 | B54G-P150 |
| 2" | B54BMP-SK200 | B54G-P200 |
| 2½" | B54BMP-SK250 | B54G-P250 |

| Size | Seal Kit Part Number | Replacement Glass Part Number |
|------|----------------------|-------------------------------|
| 3" | B54BMP-SK300 | B54G-P300 |
| 4" | B54BMP-SK400 | B54G-P400 |
| 6" | B54BMP-SK600 | B54G-P600 |

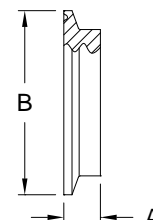
Seal Kit Contains: (2) white Buna gaskets

Acrylic Sight Glass End Caps - B5416MP

Features:

- for use on any line with a clamp and gasket
- maximum temperature: **150°F**
- maximum operating pressure: **100 PSI**

| Tube OD | A | B | Acrylic plastic Part Number |
|----------|------|-------|-----------------------------|
| 1" - 1½" | .438 | 1.984 | B5416MP-A100150 |
| 2" | .438 | 2.516 | B5416MP-A200 |
| 2½" | .438 | 3.047 | B5416MP-A250 |
| 3" | .438 | 3.579 | B5416MP-A300 |
| 4" | .438 | 4.682 | B5416MP-A400 |
| 6" | .438 | 6.562 | B5416MP-A600 |



NEW

Compact Sight Glasses

Applications:

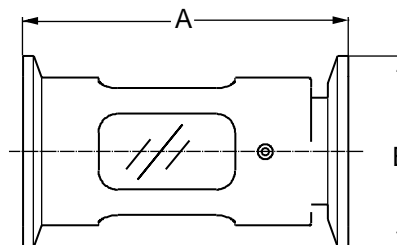
- Used widely in the food, dairy and beverage sanitary processes to view products and fluids. This design is perfect for hoses.

Features:

- easier to clean than bolted styles
- less cost to repair than bolted styles
- clamp connections standard
- sizes available: 1", 1½", 2", 3"
- maximum temperature: **200°F**
- maximum pressure: **100 PSI**

Materials:

- body: 316L stainless steel
- sight glass: Borosilicate glass
- gasket: Buna



| Tube OD | Dimensions | | 316L Stainless Steel Part # |
|---------|------------|-------|-----------------------------|
| | A | B | |
| 1" | 3.375 | 1.980 | B54BMPS-R100 |
| 1½" | 3.640 | 1.980 | B54BMPS-R150 |
| 2" | 3.830 | 2.516 | B54BMPS-R200 |
| 3" | 4.130 | 3.800 | B54BMPS-R300 |
| 4" | 4.340 | 4.680 | B54BMPS-R400 |

Kits and Replacement Parts

| Size | Seal Kit Part Number | Replacement Glass Part # |
|------|----------------------|--------------------------|
| 1" | B54BMPS-SK100 | B54BMPS-GL100 |
| 1½" | B54BMPS-SK150 | B54BMPS-GL150 |
| 2" | B54BMPS-SK200 | B54BMPS-GL200 |
| 3" | B54BMPS-SK300 | B54BMPS-GL300 |
| 4" | B54BMPS-SK400 | B54BMPS-GL400 |

Dixon Sanitary Strainers



Product Specifications

Size range:

- 1" - 3" clamp

Type:

- Inline
 - short
 - long
- Side Entry
 - long
 - side outlet

Material:

- 316L stainless steel

Finish:

- 3A sanitary, ID and OD



What Are Strainers Used For?

Strainer Definition

A strainer is a device used to separate solids from fluids. Here it is used for larger particulate matter from liquid or gas. It uses cleanable media.

Filter Definition

A filter uses a disposable media to remove finer particulate from the stream. Dixon Sanitary holds Authorization Number 1446 for the 3A Sanitary Standard for Filters using Single Service Filter Media, Number: 10-4. Vertical mounting is necessary to meet 3A 10-04 requirements for minimal product clingage.

M



Full Flow Coarse Strainers -
 ¼" or ⅜" perforations.
 (⅜" not 3A)



Full Flow Fine/Medium Strainers -
 Can be equipped with a variety of mesh screens for removing finer particles (20 to 100 mesh). See chart on page 365. (not 3A)



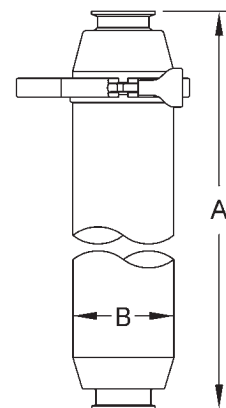
Full Flow Filters -
 Can be equipped with a variety of filtering media, down to 40 microns, media includes polyester, cotton cheesecloth and nylon mesh. See chart on page 122.

Index

| | | | |
|-----------------------------------|---------|-----------------------------|-----|
| In-Line Strainer | 118-119 | Replacement Filters..... | 124 |
| Side Entry Strainer | 120-121 | Mesh Over Screens..... | 124 |
| Side Outlet Reverse Strainer..... | 122-123 | Dual Strainer Options | 125 |

Strainers

In-line Strainer - BSCCQ

**Feature:**

- Bevel seat, I-line and weld ends available, call Dixon Sanitary for information
- In-line units ship standard with the following: spring, distributor cap, clamp gasket, ¼" perforated back-up tube, inlet and outlet bodies and squeeze clamp
- ⅛" perforated back-up tube available, must specify when ordering (not 3A certified)
- must be vertical mount for 3A usage

| Size | A short | A long | B | Short 316L Stainless Steel Part Number | Long 316L Stainless Steel Part Number |
|------|---------|--------|------|--|---|
| 1" | 15.75 | -- | 4.00 | BSCCQ1-R100 | --- |
| 1½" | 15.75 | 35.375 | 4.00 | BSCCQ1-R150 | BSCCQ2-R150 |
| 2" | 15.75 | 35.375 | 4.00 | BSCCQ1-R200 | BSCCQ2-R200 |
| 2½" | 15.75 | -- | 4.50 | BSCCS1-R250 | --- |
| 3" | 15.75 | 35.375 | 4.50 | BSCCS1-R300 | BSCCS2-R300 |

M

Strainers

Bill of Materials



| Item # | Description | Short Part # | Long Part # | Material | Qty |
|--------|--|-------------------------|------------------------|----------------------|-----|
| 1 | 1" strainer outlet | BS-01-R100 | --- | 316L stainless steel | 1 |
| | 1½" strainer outlet | BS-01-R150 | | | |
| | 2" strainer outlet | BS-01-R200 | | | |
| | 2½" strainer outlet | BS-01-R250 | --- | | |
| | 3" strainer outlet | BS-01-R300 | | | |
| 2 | 1" - 2" strainer spring | BS-02-R100-200 | | 316L stainless steel | 1 |
| | 2½" - 3" strainer spring | BS-02-R250-300 | | | |
| 3 | 1" - 2" (4") clamp gasket | 40MP-U400 | | Buna | 1 |
| | 2½" - 3" (4") schedule 5 clamp gasket | 40MPV-U400 | | | |
| 4 | 1" - 2" back-up tube with ⅛" perforations | BS-1418-R100200 | BS-2418-R100200 | 316L stainless steel | 1 |
| | 2½" - 3" back-up tube with ⅛" perforations | BS-1418-R250300 | BS-2418-R250300 | | |
| | 1" - 2" back-up tube with ¼" perforations | BS-1425-R100200 | BS-2425-R100200 | | |
| | 2½" - 3" back-up tube with ¼" perforations | BS-1425-R250300 | BS-2425-R250300 | | |
| 5 | 1" - 2" strainer cap | BS-05-R100-200 | | 316L stainless steel | 1 |
| | 2½" - 3" strainer cap | BS-05-R250-300 | | | |
| 6 | 1" strainer inlet | BS-16-R100 | --- | 316L stainless steel | 1 |
| | 1½" strainer inlet | BS-16-R150 | BS-26-R150 | | |
| | 2" strainer inlet | BS-16-R200 | BS-26-R200 | | |
| | 2½" strainer inlet | BS-16-R250 | --- | | |
| | 3" strainer inlet | BS-16-R300 | BS-26-R300 | | |
| 7 | 1" - 3" various mesh over screens (short/long) | part number on page 124 | | 316 stainless steel | 1 |
| 8 | 1" - 3" various filter bag (short/long) | part number on page 124 | | various | 1 |
| 9 | 1" - 2" retaining ring used with filter bags | BS-09-U100-200 | | Buna | 2 |
| | 2½" - 3" retaining ring used with filter bags | BS-09-U250-300 | | | |

M

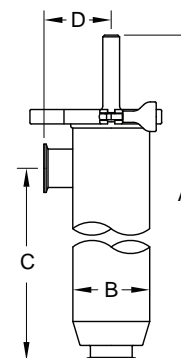


Call Toll Free: 1-866-711-4673
International: +1-727-342-5086



Strainers

Side-Entry Strainer - BSCCQ

**Features:**

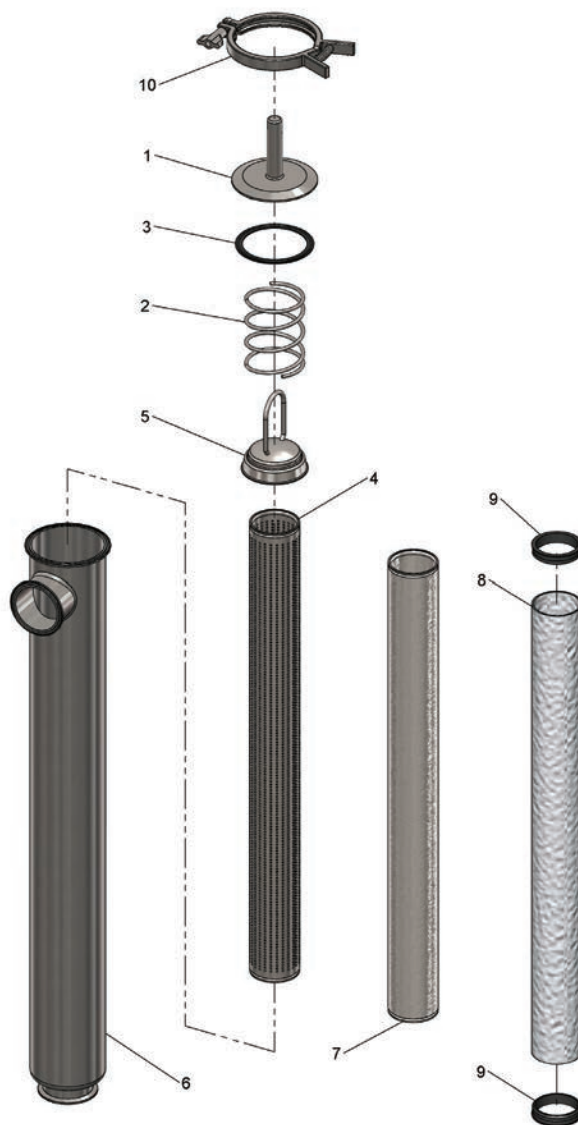
- bevel seat, I-line and weld ends available, call Dixon Sanitary for information
- serviceable without removing from the line
- Side entry units ship standard with the following: spring, end cap with handle, distributor cap, clamp gasket, ¼" perforated back-up tube, body and squeeze clamp
- ½" perforated back-up tube available, must specify when ordering (not 3A authorized)
- must be vertical mount for 3A usage

M

| Size | A | B | C | D | 316L Stainless Steel Part # |
|------|-------|------|-------|------|--------------------------------|
| 1½" | 41.90 | 4.00 | 35.00 | 3.50 | BSCCQ3-R150 |
| 2" | 41.90 | 4.00 | 35.00 | 3.50 | BSCCQ3-R200 |
| 3" | 41.90 | 4.50 | 35.00 | 3.75 | BSCCQ3-R300 |

Strainers

Bill of Materials



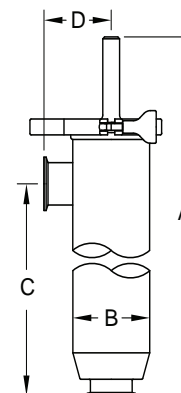
M

| Item # | Description | 1½" and 2" Part # | 3" Part # | Material | Qty |
|--------|--------------------------------------|-------------------------|------------------------|----------------------|-----|
| 1 | end cap with handle | BS-31-R100-200 | BS-31-R250-300 | 316L stainless steel | 1 |
| 2 | strainer spring | BS-32-R100-200 | BS-32-R250-300 | 316L stainless steel | 1 |
| 3 | clamp gasket | 40MP-U400 | 40MPV-U400 | Buna | 1 |
| 4 | back-up tube with ⅛" perforations | BS-1418-R100200 | BS-2418-R250300 | 316L stainless steel | 1 |
| | back-up tube with ¼" perforations | BS-1425-R100200 | BS-2425-R250300 | | |
| 5 | distributor cap | BS-35-R100-200 | BS-35-R250-300 | 316L stainless steel | 1 |
| 6 | 1½" strainer body | BS-36-R150 | --- | 316L stainless steel | 1 |
| | 2" strainer body | BS-36-R200 | --- | | |
| | 3" strainer body | --- | BS-36-R300 | | |
| 7 | various mesh over screens | part number on page 124 | | 316 stainless steel | 1 |
| 8 | various filter bag | part number on page 124 | | various | 1 |
| 9 | retaining ring used with filter bags | BS-09-U100-200 | BS-09-U250-300 | Buna | 2 |

NEW

Strainers

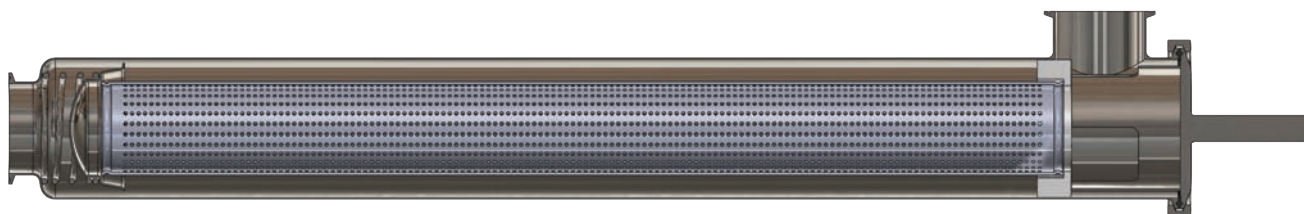
Side-Outlet Reverse Strainer - BSCCQ

**Features:**

- Ships standard with: spring, end cap with handle, distributor cap, clamp gasket, 1/4" perforated back-up tube, body and squeeze clamp
- 1/8" perforated back-up tube available (not 3A certified)
- Bevel seat, I-line and weld ends available, call Dixon Sanitary for information
- Can be serviced in-line

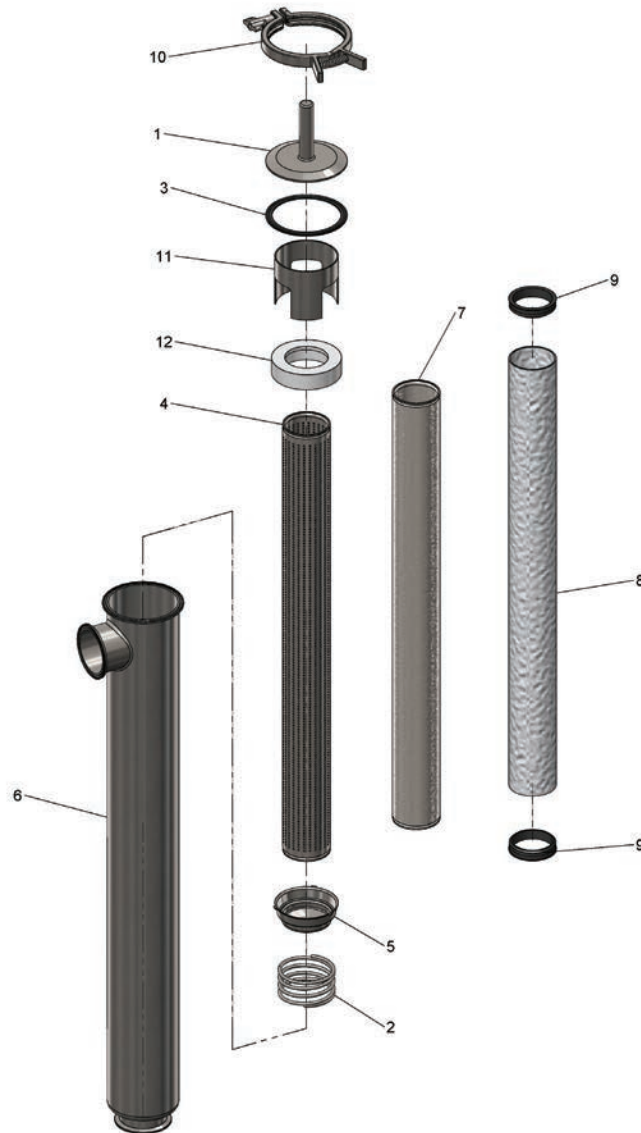
M

| Size | A | B | C | D | 316L Stainless Steel Part # |
|------|-------|------|-------|------|--------------------------------|
| 1½" | 41.90 | 4.00 | 35.00 | 3.50 | BSCCQ4-R150 |
| 2" | 41.90 | 4.00 | 35.00 | 3.50 | BSCCQ4-R200 |
| 3" | 41.90 | 4.50 | 35.00 | 3.75 | BSCCQ4-R300 |



Strainers

Bill of Materials



| Item # | Description | 1½" and 2" Part # | 3" Part # | Material | Qty |
|--------|---|------------------------|------------------------|----------------------|-----|
| 1 | end cap with handle | BS-31-R100-200 | BS-31-R250-300 | 316L stainless steel | 1 |
| 2 | strainer spring | BS-02-R100-200 | BS-02-R250-300 | 316L stainless steel | 1 |
| 3 | clamp gasket | 40MP-U400 | 40MPV-U400 | Buna | 1 |
| 4 | back-up tube with ⅛" perforations | BS-1418-R100200 | BS-2418-R250300 | 316L stainless steel | 1 |
| | back-up tube with ¼" perforations | BS-1425-R100200 | BS-2425-R250300 | | |
| 5 | distributor cap | BS-05-R100-200 | BS-05-R250-300 | 316L stainless steel | 1 |
| 6 | 1½" strainer body | BS-36-R150 | --- | 316L stainless steel | 1 |
| | 2" strainer body | BS-36-R200 | --- | | |
| | 3" strainer body | --- | BS-36-R300 | | |
| 7 | various mesh over screens ¹ | --- | --- | 316 stainless steel | 1 |
| 8 | various filter bag ¹ | --- | --- | various | 1 |
| 9 | retaining ring used with filter bags ¹ | BS-09-U100-200 | BS-09-U250-300 | Buna | 2 |
| 10 | squeeze clamp for assembly | 13MHHM-Q400 | 13MHHV-Q400 | CF8 | 1 |
| 11 | stand off tube | BS-411-R100-200 | BS-411-R250-300 | 316L stainless steel | 1 |
| 12 | retainer ring | BS-412-R100-200 | BS-412-R250-300 | PTFE | 1 |

¹ Not included, must be ordered separately

Conversion Kit (to convert side entry to side outlet) includes item numbers 9, 5, 11, and 12

GOODYEAR
GOODYEARBELTING.COM

Call Toll Free: 1-866-711-4673
International: +1-727-342-5086

**We Ship
World Wide**

M

Strainers

Filters

- Filter medium are special order and minimum quantities apply. Not included with base unit.
- Filters require retaining ring. See pages 119, 121 and 123 for part numbers.

| Size | Micron Rating | Description | Short Part Number | Long/Side Entry Part Number |
|----------|---------------|---|----------------------|-----------------------------|
| 1" - 2" | 38 | nonwoven rayon (glued seam) | BF30A-100-200 | --- |
| 2½" - 3" | 38 | nonwoven rayon (glued seam) | BF30A-250-300 | --- |
| 1" - 2" | 513 | woven knapped cotton flannel | BF30B-100-200 | --- |
| 2½" - 3" | 513 | woven knapped cotton flannel | BF30B-250-300 | --- |
| 1" - 2" | 300 | cheese cloth, single thickness cotton | BF30C-100-200 | --- |
| 2½" - 3" | 300 | cheese cloth, single thickness cotton | BF30C-250-300 | --- |
| 1" - 2" | 765 | nylon, 26/29 mesh, rectangular opening, (.025 x .030) | BF30D-100-200 | --- |
| 2½" - 3" | 765 | nylon, 26/29 mesh, rectangular opening, (.025 x .030) | BF30D-250-300 | --- |
| 1" - 2" | 40-42 | nonwoven rayon | BF30E-100-200 | BF302E-100-200 |
| 2½" - 3" | 40-42 | nonwoven rayon | BF30E-250-300 | BF302E-250-300 |
| 1" - 2" | 40 | nonwoven rayon | BF30F-100-200 | --- |
| 1" - 2" | 420 | woven nylon, 40 mesh | BF30G-100-200 | --- |
| 2½" - 3" | 420 | woven nylon, 40 mesh | BF30G-250-300 | BF302G-250-300 |

316 Stainless Wire Cloth Mesh Over Screens

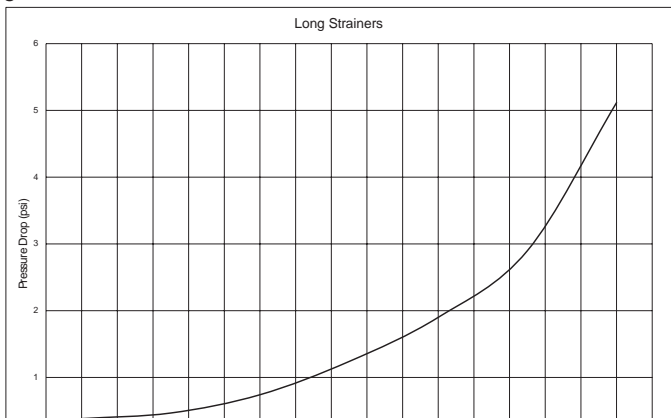
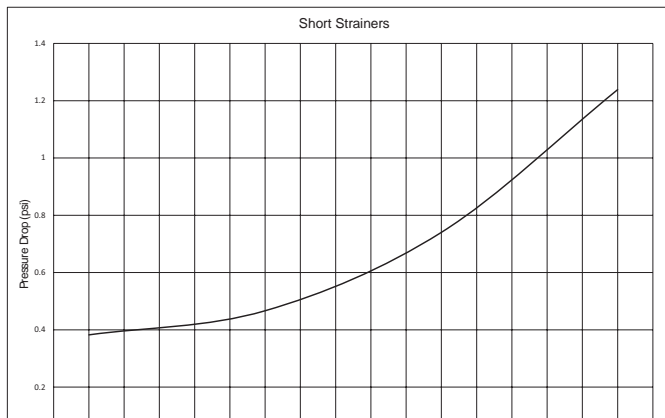
- Not all sizes are stocked, additional sizes are available (5 piece minimum), call Dixon Sanitary. Not included with base unit.
- Not 3A compatible

| Size | Micron Rating | Square Mesh | Space Between Wires | Percent of Open Area | Short Part Number | Long/Side Entry Part Number |
|----------|---------------|-------------|---------------------|----------------------|----------------------|-----------------------------|
| 1" - 2" | 864 | 20 | 0.034 | 46.2 | BS20-100-200 | BS202-100-200 |
| 2½" - 3" | 864 | 20 | 0.034 | 46.2 | BS20-250-300 | BS202-250-300 |
| 1" - 2" | 381 | 40 | 0.015 | 36.0 | BS40-100-200 | BS402-100-200 |
| 2½" - 3" | 381 | 40 | 0.015 | 36.0 | BS40-250-300 | BS402-250-300 |
| 1" - 2" | 229 | 60 | 0.009 | 30.3 | BS60-100-200 | BS602-100-200 |
| 2½" - 3" | 229 | 60 | 0.009 | 30.3 | BS60-250-300 | BS602-250-300 |
| 1" - 2" | 178 | 80 | 0.007 | 31.4 | BS80-100-200 | BS802-100-200 |
| 2½" - 3" | 178 | 80 | 0.007 | 31.4 | BS80-250-300 | BS802-250-300 |
| 1" - 2" | 140 | 100 | 0.006 | 30.3 | BS100-100-200 | BS1002-100-200 |
| 2½" - 3" | 140 | 100 | 0.006 | 30.3 | BS100-250-300 | BS1002-250-300 |

Pressure Drop Curves for Strainer

Water at ambient temperature

- maximum flow for short units is 125 GPM
- maximum flow for long units is 175 GPM



Dual Strainers

Application:

- Use when system needs to be cleaned regularly but product flow needs to be maintained. Short, long and side entry dual units are available with manual or actuated valves, contact Dixon Sanitary for information.

Design Using 3-way Ball Valves

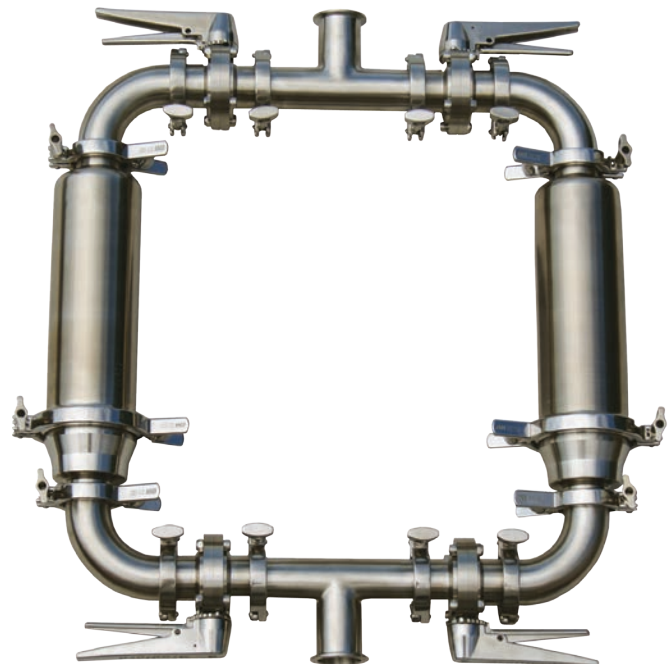
| Description | Part # | Qty |
|---|-----------------|-----|
| 3-way L port ball valves, sizes 1" - 3" | BV3SVLF | 2 |
| squeeze clamps, sizes 1" - 3" | 13MHMM-Q | 4 |
| single pin clamps, sizes 1" to 3" | 13MHMM | 4 |
| clamp 90° elbow, sizes 1" - 3" | B2CMP-R | 4 |
| clamp gaskets in various materials, sizes 1" - 3" | 40MP | 8 |



M

Design Using Butterfly Valves

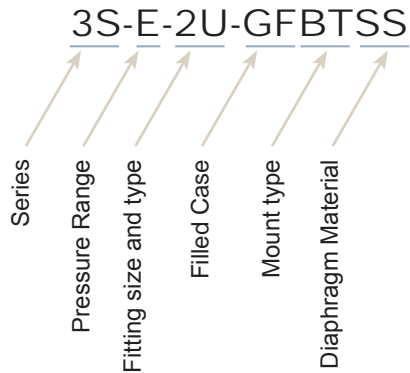
| Description | Part # | Qty |
|---|-----------------|-----|
| butterfly valve, various handles, actuation and seat materials, sizes 1" - 3" | B5101 | 4 |
| clamp tee, sizes 1" - 3" | B7MP | 2 |
| clamp 90° elbow, sizes 1" - 3" | B2CMP | 4 |
| squeeze clamps, sizes 1" - 3" | 13MHMM-Q | 4 |
| single pin clamps, sizes 1" - 3" | 13MHMM | 8 |
| clamp gaskets in various materials, sizes 1"- 3" | 40MP | 12 |





Dixon Sanitary Gauges

Model Number Breakdown



Product Specifications

Size range:

- 1½", 2", 2½" or 3"

Material:

- 316L stainless steel

Finishes:

- 3A sanitary
- pharmaceutical

Ordering Information

Series

- 3S**3½" Sanitary pressure gauge
5S5" Sanitary pressure gauge
3P3½" Pharmaceutical pressure gauge
5P5" Pharmaceutical pressure gauge

Pressure Range ¹

- B**0 to 30 PSI (2 BAR)
C0 to 60 PSI (4 BAR)
D0 to 100 PSI (7 BAR)
E0 to 160 PSI (11 BAR)
F0 to 200 PSI (14 BAR)
G0 to 300 PSI (21 BAR)
H0 to 400 PSI (28 BAR)
I0 to 600 PSI (41 BAR)
K0 to 1,000 PSI (70 BAR)

¹ Standard scales are in PSI only. For dual scales, add the letter B for PSI/BAR after the pressure range letter.

Fitting Type ²

specify size in inches: 15, 2, 25 or 3

- I**male I-Line
Jfemale I-Line
RRJT
S#15 Bevel Seat sanitary male thread
T#13H captive nut and #14 Bevel Seat
Uclamp
DINDIN according to DIN 11851 (*specify DIN40 or DIN50*)
SMSSMS (*specify SMS38 or SMS51*)

² specify size then type, i.e. 1½" = 15

Filled Case

- GF**glycerine filled
NFno fill (dry)

Mount type

- BT**bottom
RTright side
LFleft side
TPtop
BKback

Diaphragm Material

- SS**stainless steel

Index

| | | | |
|-----------------------------------|---------|---|---------|
| Sanitary | 127-127 | Thermometers | 132 |
| Pharmaceutical..... | 129 | Sanitary RTD's and temperature transmitters | 133-134 |
| Homogenizer pressure gauges | 130-131 | | |

Sanitary Pressure Gauges

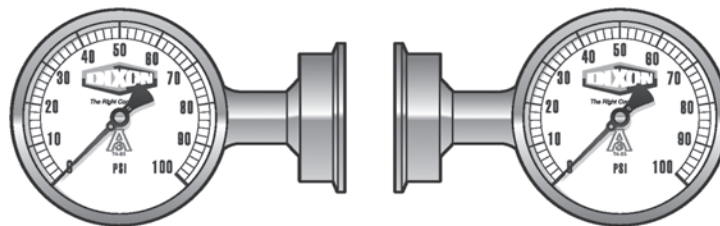
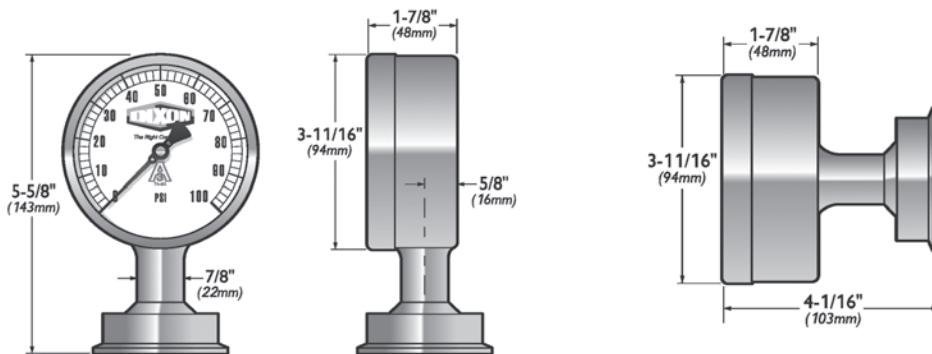
Product Specifications:

- accuracy: $\pm 1.5\%$ of full scale
- over range capacity: 30%
- wetted surfaces: 316L stainless steel
- surface finishes (wetted parts): R_a max = 25 microinches
- case material: 304 stainless steel
- dial size: 3½" or 5" diameter
- lens material: polycarbonate
- temperature limits: **0°F (-18°C) to 250°F (121°C)**
- standard fill: food grade glycerin
- rezero feature: standard on pointer
- shipping weight: approximately 3 lbs. (1.3 kg)

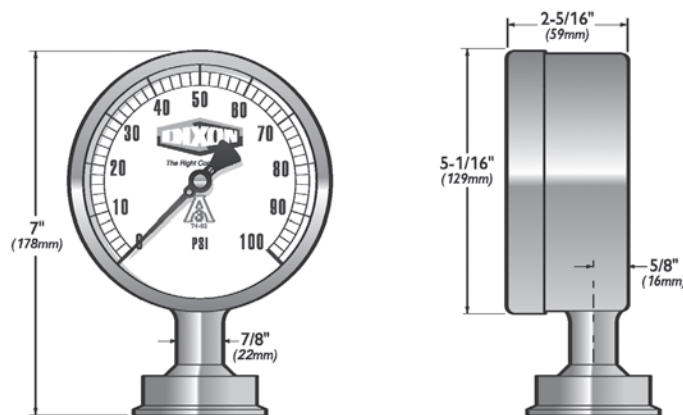


3S-EB-2U-GFBTSS

3½" Gauge - (90 mm)



5" Gauge - (120 mm)



shown with 2" clamp

N

Sanitary Pressure Gauges



| Part # | Dial Size | Pressure Range (PSI) | Clamp Size | Mount |
|------------------------|-----------|----------------------|------------|--------|
| 3S-B-15U-GFBTSS | 3.5" | 0-30 | 1½" | bottom |
| 3S-C-15U-GFBTSS | 3.5" | 0-60 | 1½" | bottom |
| 3S-D-15U-GFBTSS | 3.5" | 0-100 | 1½" | bottom |
| 3S-E-15U-GFBTSS | 3.5" | 0-160 | 1½" | bottom |
| 3S-F-15U-GFBTSS | 3.5" | 0-200 | 1½" | bottom |
| 3S-G-15U-GFBTSS | 3.5" | 0-300 | 1½" | bottom |
| 3S-B-15U-GFBKSS | 3.5" | 0-30 | 1½" | back |
| 3S-C-15U-GFBKSS | 3.5" | 0-60 | 1½" | back |
| 3S-D-15U-GFBKSS | 3.5" | 0-100 | 1½" | back |
| 3S-E-15U-GFBKSS | 3.5" | 0-160 | 1½" | back |
| 3S-F-15U-GFBKSS | 3.5" | 0-200 | 1½" | back |
| 3S-G-15U-GFBKSS | 3.5" | 0-300 | 1½" | back |
| 3S-B-2U-GFBTSS | 3.5" | 0-30 | 2" | bottom |
| 3S-C-2U-GFBTSS | 3.5" | 0-60 | 2" | bottom |
| 3S-D-2U-GFBTSS | 3.5" | 0-100 | 2" | bottom |
| 3S-E-2U-GFBTSS | 3.5" | 0-160 | 2" | bottom |
| 3S-F-2U-GFBTSS | 3.5" | 0-200 | 2" | bottom |
| 3S-G-2U-GFBTSS | 3.5" | 0-300 | 2" | bottom |
| 3S-B-2U-GFBKSS | 3.5" | 0-30 | 2" | back |
| 3S-C-2U-GFBKSS | 3.5" | 0-60 | 2" | back |
| 3S-D-2U-GFBKSS | 3.5" | 0-100 | 2" | back |
| 3S-E-2U-GFBKSS | 3.5" | 0-160 | 2" | back |
| 3S-F-2U-GFBKSS | 3.5" | 0-200 | 2" | back |
| 3S-G-2U-GFBKSS | 3.5" | 0-300 | 2" | back |

N

Pharmaceutical Pressure Gauges

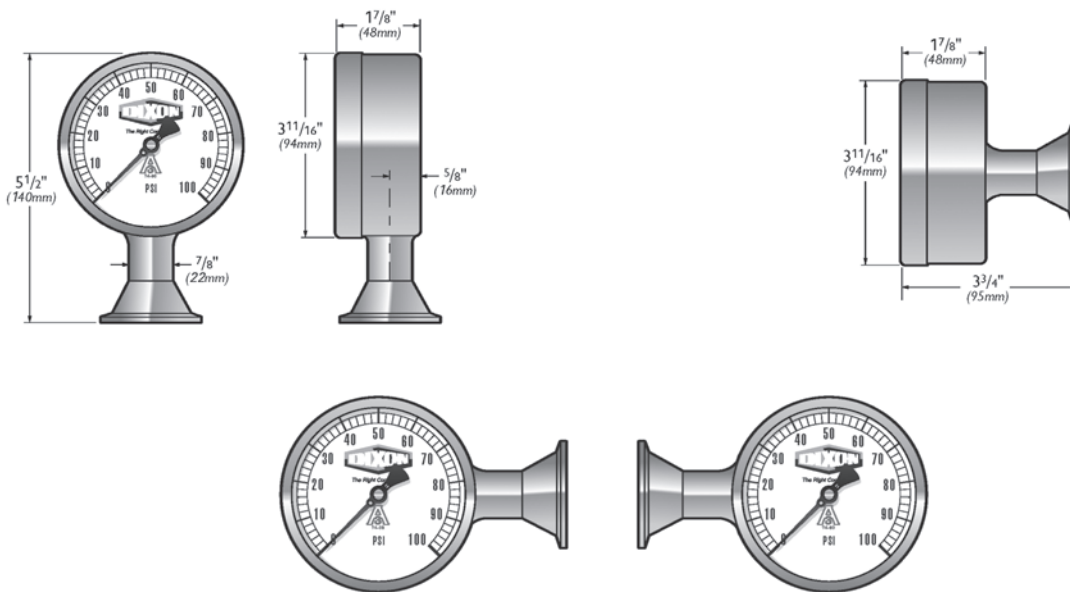
Product Specifications:

- accuracy: $\pm 0.75\%$ of full scale
- over range capacity: 30%
- wetted surfaces: 316L stainless steel
- surface finishes (wetted parts): R_a max = 8 microinches
- case material: 304 stainless steel
- dial size: $3\frac{1}{2}$ " or 5" diameter
- lens material: polycarbonate
- temperature limits: **0°F (-18°C) to 250°F (121°C)**
- standard fill: food grade glycerin
- rezero feature: standard on pointer
- shipping weight: approximately 3 lbs. (1.3 kg)
- dial size: $3\frac{1}{2}$ " diameter



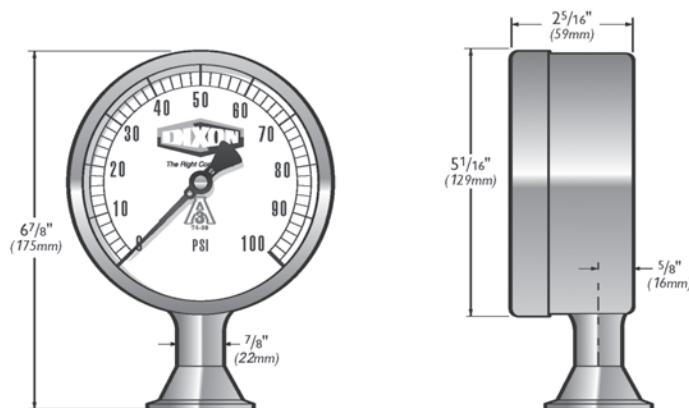
3P-D-15U-GFBT

$3\frac{1}{2}$ " Gauge - (90 mm)



N

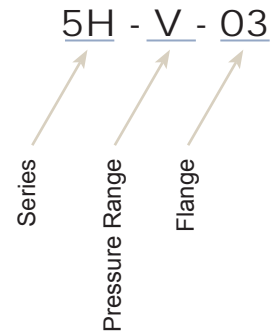
5" Gauge - (120 mm)



Homogenizer Pressure Gauges



Model Number Breakdown



Ordering Information

Series

5H5" Sani-Flow Homogenizer Pressure Gauge

Pressure Range ¹

K0 to 1,000 PSI (70 BAR)

T0 to 2,500 PSI (170 BAR)

U0 to 3,000 PSI (205 BAR)

V0 to 5,000 PSI (350 BAR)

Y0 to 7,500 PSI (520 BAR)

W0 to 10,000 PSI (700 BAR)

X0 to 15,000 PSI (1000 BAR)

Flange

01no flange

027/8" thick 2 bolt flange

031 1/8" thick 2 bolt flange

04Waukesha 1/2" thick 4 bolt flange

05Waukesha 3/4" thick 4 bolt flange

091.66" thick laboratory homogenizer flange

¹ Standard scales are in PSI only. For dual scales, after the pressure range add the letter B for PSI/BAR, K for PSI/Kg/cm³, P for PSI/KPa (see examples below).

N

Examples

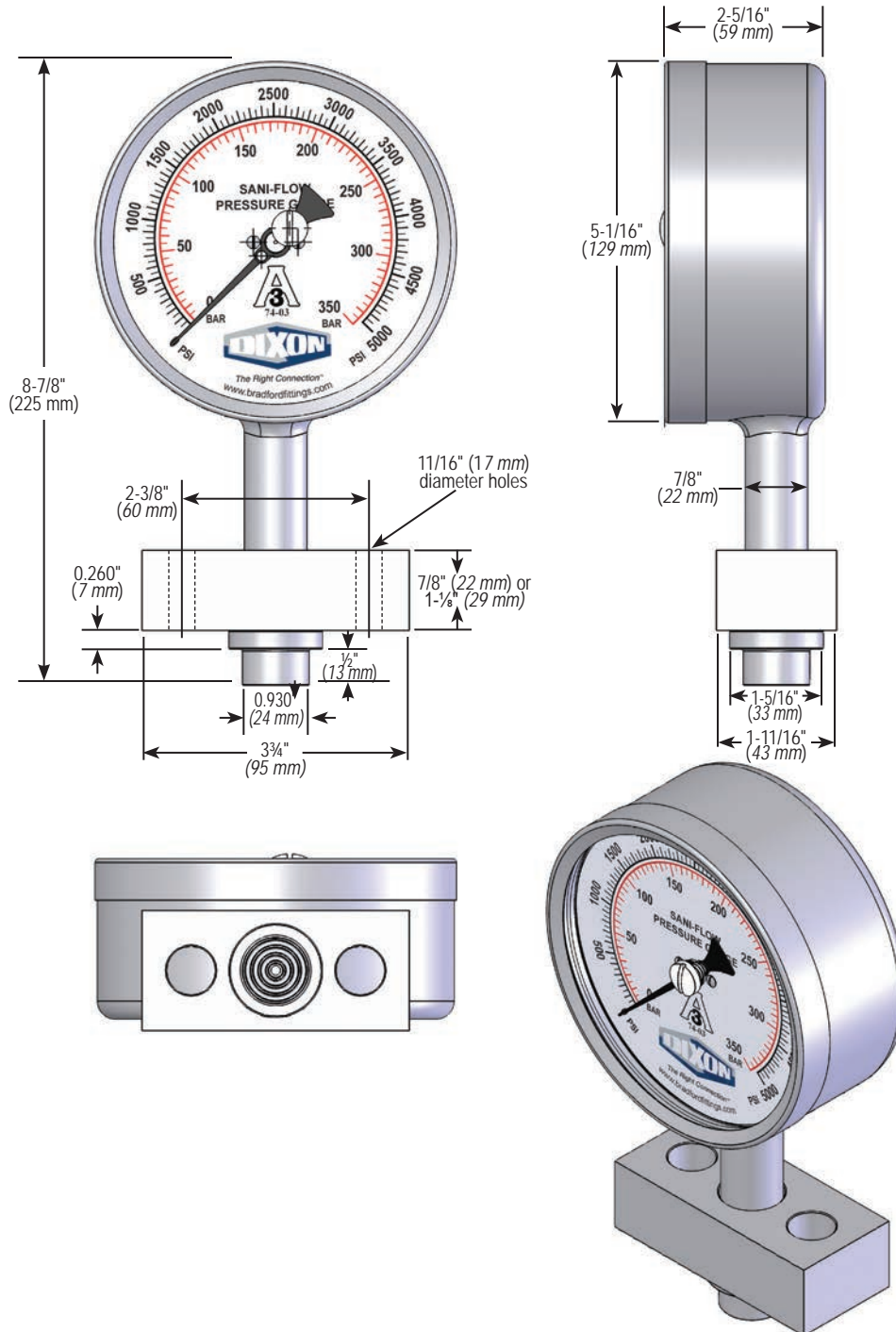
5H-V-03 - describes a 5" sani-flow homogenizer pressure gauge, 0 to 5,000 PSI, a 1-1/8" thick flange, and a glycerine filled case

5H-WB-01 - describes a 5" sani-flow homogenizer pressure gauge, dual scale 0 to 10,000 PSI/0 to 700 BAR, no flange, and a glycerine filled case

Homogenizer Pressure Gauges

Product Specifications:

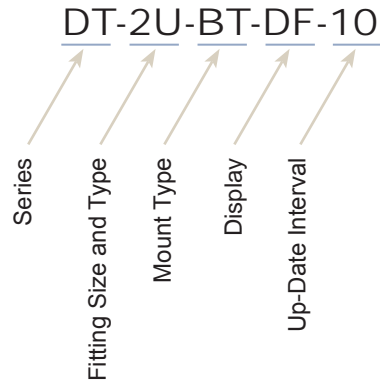
- 316L stainless steel wetted surfaces
- 304 stainless steel case
- Lexan® lens virtually impervious to cracks and breakage
- unique pulsation dampening system insulates the gauge movement from the punishing pulsations of a homogenizer
- ranges up to **15,000 PSI**
- dial size: 5"
- glycerine fill standard
- waterproof construction
- CIP-able
- maximum temperature: **250°F**
- true zero with re-zero standard



N

Sanitary Digital Thermometers

Model Number Breakdown



Product Specifications:

- accuracy: $\pm 1^\circ$
- wetted surfaces: 316L stainless steel
- surface finish: R_a max. is 8 microinches
- case material: 304 stainless steel
- dial size: $3\frac{1}{2}$ " diameter
- lens material: $\frac{1}{4}$ " polycarbonate
- temperature limits: **-58°F to 302°F**
- ambient operating limits: **-4°F to 140°F**
- LCD display: 0.6"
- resolution: **0.1° (-58° thru 199.9°)**
- battery size / life: standard AAA/3 years
- shipping weight: approximately 3 lbs.

Ordering Information



Series

DT.....Sanitary digital thermometer

Fitting Type ¹

sizes available: 75, 15, 2, 25, 3 and 4

I.....male I-Line

T.....#13H captive nut and #14 bevel seat

U.....clamp

¹ specify size then type, i.e. $1\frac{1}{2}$ " = 15U

Mount type

BT.....bottom

RT.....right side

LF.....left side

TP.....top

BK.....back

BTR.....remote fitting

Display

DF.....F (Fahrenheit) *standard*

DC.....C (Celsius)

Up-Date Interval

1.....one second (1 year battery life)

10.....ten second (3 year battery life)

Dimensions

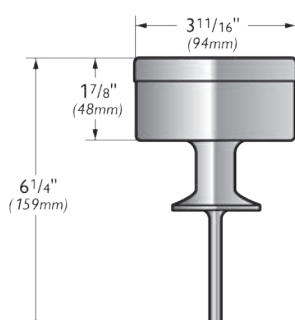
LEFT SIDE MOUNT



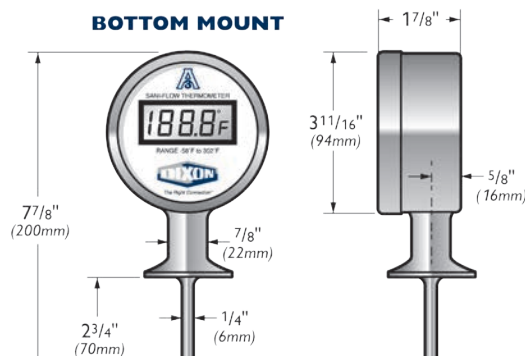
RIGHT SIDE MOUNT



BACK MOUNT



BOTTOM MOUNT



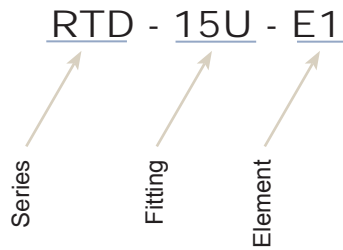
Ordering code shown with clamp configuration "U". See ordering information for other types available.

| Size | Probe Length ² | Code |
|--------|---------------------------|------|
| 3/4" | 2-3/8" | 75U |
| 1" | 2-5/8" | 1U |
| 1 1/2" | 2-3/4" | 15U |
| 2" | 3-1/2" | 2U |
| 2 1/2" | 3-1/2" | 25U |
| 3" | 3-3/4" | 3U |
| 4" | 4-1/2" | 4U |

² custom probe lengths are available

Sanitary RTDs and Temperature Transmitters

Model Number Breakdown



Ordering Information

Series

- RTD**.....Sani-Flow resistive temperature device
TT.....Sani-Flow temperature transmitter

Sanitary Fittings

fittings available in 5, 75, 15, 20, 25, 30 and 40

- H**.....G & H 'H' line male
I.....Cherry-Burrell male I-line
K.....APC 'K' clamp
Q.....Cherry-Burrell Q-line
T.....#13H captive nut and #14 bevel seat
U.....Tri-clamp®

- Specify size, then adapter type such as 15U for 1½" Tri-clamp® adapter
- For special probes add SP and the required probe length at the end of the part number; such as SP2.75 for a 2¾" long probe.

Other Fittings

Specify probe length

- A**.....air space
M.....umbrella fittings
NPT.....¼", ⅜", ½", ⅝" or ¾" pipe thread
PW.....projectile well with 1¼"-18 UNEF male thread
SP.....split ferrule
VP.....VAT well fitting with #13H captive nut
OF.....no fitting

Element ¹

- E1**.....single element
E2.....dual element

¹ available for RTD only

N

Sanitary RTDs & Temperature Transmitters



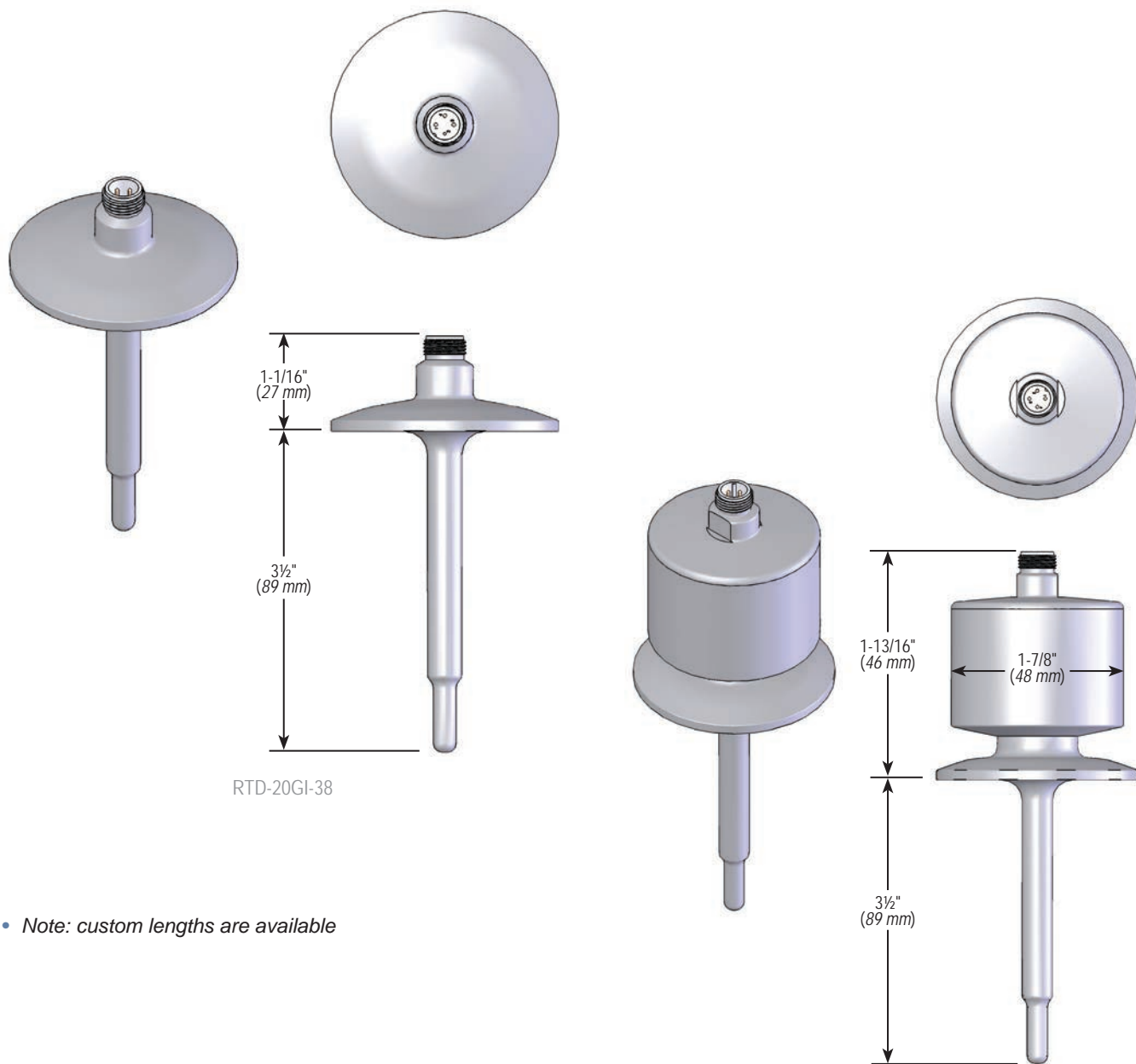
sanitary RTD



temperature transmitter

Product Specifications:

- 316L wetted surfaces
- exterior surfaces 316L with a near mirror finish
- standard 12mm industrial connector with gold plated contacts for maximum corrosion resistance and cleanability
- sensor elements are accurate up to +/-0.1C
- RTD – temperature range: **-58°F to 392°F**
- TT – temperature range: **-22°F to 302°F**



• Note: custom lengths are available

N

Dixon Sanitary Spray Balls

Product Specifications



Size range:

- 3/4" and 1 1/2" NPT
- 1" and 1 1/2" OD tube
- 1 1/2" clamp

Materials:

- 304 stainless steel
- 316L stainless steel

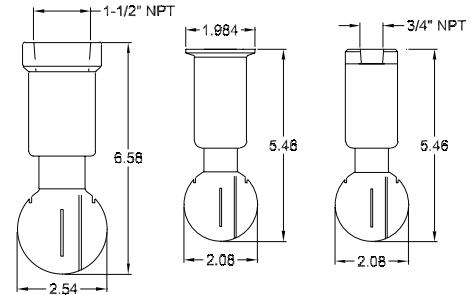
Finishes:

- mirror-like finish OD

Rotating Spray Balls - SRH

Features:

- stainless steel ball bearings to eliminate rust
- ideal for cleaning all types of tanks and vessels
- cleaning solution used to lubricate unit
- connections available: clamp and NPT
- mirror-like finish OD
- spray pattern: 360°

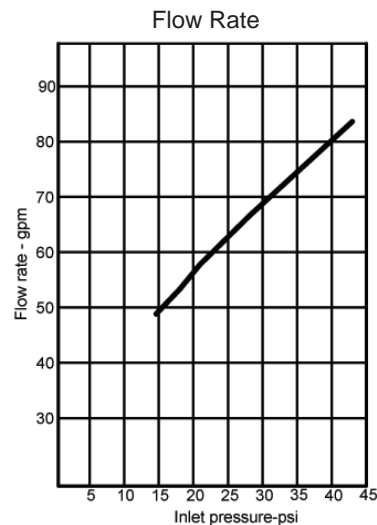
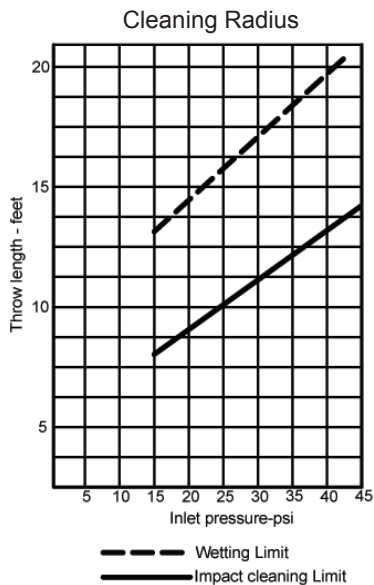


SRH360NPT-R150 SRH360CMP-G150 SRH360NPT-R075
SRH360CMP-R150

| Size | Type | 304 Stainless Steel Part Number | 316L Stainless Steel Part Number |
|--------|-------|------------------------------------|-------------------------------------|
| 3/4" | NPT | SRH360NPT-G075 | --- |
| 1 1/2" | NPT | --- | SRH360NPT-R150 |
| 1 1/2" | Clamp | SRH360CMP-G150 | SRH360CMP-R150 |

Dimensions are approximate. Engineering dimensions are available upon request.
Specifications are subject to change without notice.

Technical Data



Index

| | | | |
|----------------------------|---------|-------------------------|-----|
| Rotating | 135 | Washdown stations | 139 |
| Stationary | 136 | Jax products | 140 |
| Washdown accessories | 137-138 | | |

Spray Balls

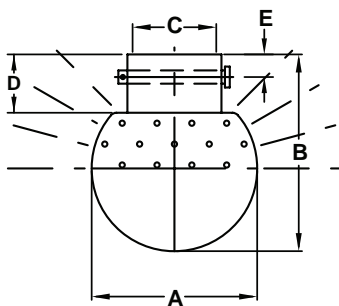
Stationary Spray Balls - STC

Features:

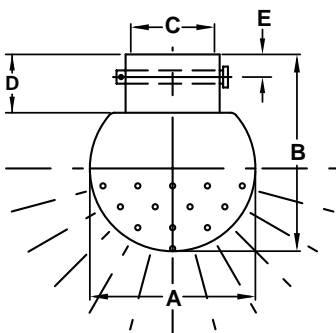
- typically used in food and beverage for cleaning storage tanks
- various spray patterns available (blanks available as special order)
- stationary - designed to be mounted to a tube or pipe
- 2mm spray holes



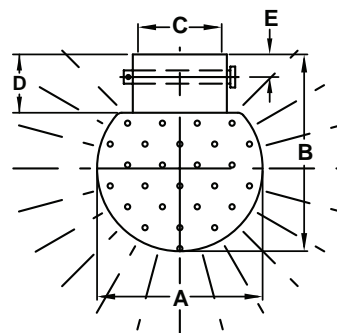
| Size | Pin Length | Spray Pattern | A | B | C | D | E | Pin Size | 316L Stainless Steel Part Number |
|------|------------|---------------|------|------|-------|-------|------|----------|----------------------------------|
| 1" | 1.47 | 360° | 2.50 | 3.04 | 1.005 | .975 | .445 | .226 | STC-360-R100 |
| 1½" | 1.95 | 360° | 2.95 | 3.55 | 1.505 | 1.050 | .445 | .226 | STC-360-R150 |
| 1" | 1.47 | 180° bottom | 3.54 | 2.95 | 1.005 | .975 | .445 | .226 | STC-180B-R100 |
| 1½" | 1.95 | 180° bottom | 3.54 | 2.95 | 1.505 | .975 | .445 | .226 | STC-180B-R150 |
| 1" | 1.47 | 180° top | 3.54 | 2.95 | 1.005 | .975 | .445 | .226 | STC-180T-R100 |
| 1½" | 1.95 | 180° top | 3.54 | 2.95 | 1.505 | .975 | .445 | .226 | STC-180T-R150 |



180° Top Pattern



180° Bottom Pattern



360° Pattern

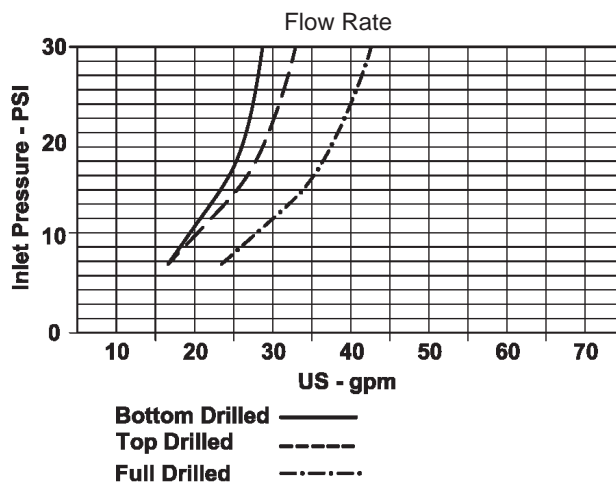
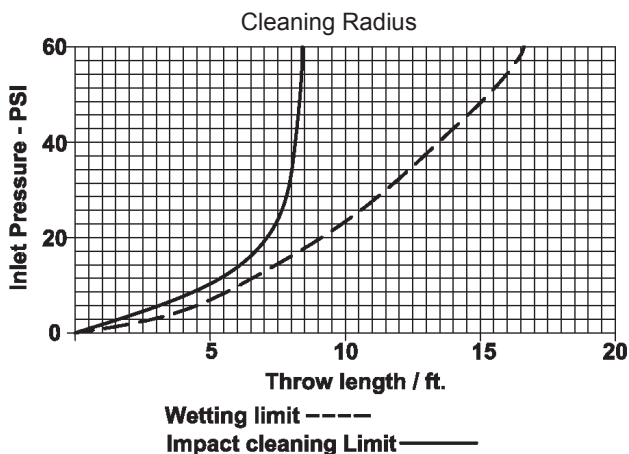
Repair Kits

| Size | Part Number |
|------|------------------|
| 1" | STC-RK100 |
| 1½" | STC-RK150 |

Repair kits contain:

- (1) pin
- (1) R clip

Technical Data



Washdown Accessories

Spray Nozzles - AWSG/BWSG

Applications:

- For low pressure cleaning, tank and drum cleaning and chemical manufacturing.

Features:

- efficient design for operator comfort
- variable spray pattern from solid stream to 50° hollow cone
- hose connects at base of gun for easy maneuvering
- ½" female NPT inlet

- rubber coated handle protects hands from water temperatures to **150°F**
- **12.5 GPM** flow capacity at **150 PSI**
- *Do not use with steam lines.*



| Cover color | Aluminum Part Number | Brass Part Number |
|-------------|-------------------------|----------------------|
| black | AWSG | BWSG |
| white | AWSG-W | BWSG-W |

Swivel Connectors - SSA/BNS/BMAS

Ball Type Swivel x Hose Shank

| NPT | Hose ID | Part Number |
|-----|---------|--------------|
| ½" | ½" | SSA44 |
| ½" | ⅝" | SSA54 |
| ½" | ¾" | SSA64 |

Features:

- 300 series stainless steel swivel connector for stainless spray nozzles
- 360° ball type swivel adapter helps prevent hose kinking



Straight Swivel x Hose Shank

| NPT | Hose ID | Part Number |
|-----|---------|--------------|
| ½" | ½" | BNS44 |
| ¾" | ¾" | BNS64 |

Features:

- swivel body
- stainless steel hose shank
- EPDM gasket



Straight Swivel x GHT Thread

| NPT | Female GHT | Part Number |
|-----|------------|----------------|
| ½" | ¾" | BMAS974 |



Hot Water Washdown Hose - SWDSHOSE

Features:

- smooth extruded Chlorobutyl tube
- white, wrapped Neoprene cover (.075" thick), braided textile reinforcement
- furnished with internal stainless steel spring guards at both ends
- ¾" male on one end and ½" male on the other
- working pressure: **250 PSI**
- temperature to: **200°F**

| Size | Part Number |
|------------|-------------------|
| 5/8" x 25' | SWDSHOSE25 |




Washdown Accessories

Stainless Mini Spray Nozzle



Features:

- ½" female NPT inlet
- not for use with steam 
- specifically designed as an industrial lightweight nozzle with heavyweight performance
- Nozzle cover is not only durable, but also protects the user from hot surfaces produced by high temperature wash down applications.
- reduces hand fatigue and offers smooth lever action
- variable spray patterns, from fan spray to solid stream
- Water conservation is assured upon release of the lever by the drip-free automatic shutoff feature.
- rated to **150 PSI / 200°F**
- **9.6 GPM** flow capacity at **100 PSIG**

Stainless Steel with Dark Blue Cover

Part #

DM150SDB

Stainless Spray Nozzle



Features:

- ½" female NPT inlet
- specifically designed to prevent accidental spray
- durable dark blue cover design prevents front-mounted lever from being accidentally activated if nozzle is dropped
- design also reduces hand fatigue and offers smooth lever action
- trigger locking mechanism provides safe and secure method of keeping the nozzle open during any spray pattern
- variable spray patterns, from fan spray to solid stream
- drip-free automatic shut-off feature
- rated to **150 PSI / 200°F**
- **9.6 GPM** flow capacity at **100 PSIG**

Stainless

Part #

D150SDB



Washdown Wand

Features:

- Designed to provide user with a means of 'reaching' desired washdown locations previously deemed unreachable by extending the nozzle by 3'.
- Adjustable spray tip can be changed from fan to solid spray by twisting the tip until the desired flow pattern is achieved.
- quick disconnect feature allows user to quickly connect wand to the nozzles above
- *Minimum pressure is 75 PSI, wand is not for use with steam.*



300 Series Stainless Steel

Part #

D150S-WAND

Water-Steam Washdown Station

Fail-safe mixing station safely blends steam and cold water for hot water on demand. Should cold water fail, the steam is instantly shut-off.

Features:

- bronze, wall-mounted, control valves
- dial thermometer
- in-line check valves
- ¾" inlet and outlet
- stainless steel hose rack
- mounting plate and hardware
- **150 PSI** maximum, **200°F** maximum.



Part Number

SWDS

Pressure Requirements

| Steam Pressure | | Water Pressure | |
|----------------|----------------|----------------|---------------|
| Minimum | Maximum | Minimum | Maximum |
| 80 PSI | 150 PSI | 50 PSI | 80 PSI |

Hot and Cold Water Mixing Station

Features:

- hot and cold water mixing station
- bronze, wall mounted, control valves (globe style)
- **150 PSI** maximum, **200°F** maximum
- in-line check valves
- ¾" inlet and outlet
- stainless steel hose rack
- mounting plate and hardware



Part Number

WDS1

Rack for Mixing Station

Application:

- designed to hold 50' of ¾" heavy duty industrial grade hose

Features:

- heavy duty stainless steel construction
- stainless steel lag screws
- heavy duty solid brass mounting crowns
- supplied with mounting hardware
- rack fits SWDS and WDS1 mixing stations



Part Number

WDSR

Maintenance



Jax Food Grade Penetrating Oil

Features:

- NSF H1 registered for incidental food contact
- colorless, odorless and tasteless
- quickly frees corroded parts
- protects metal from corrosion
- lubricates moving parts

| Description | Part Number |
|--------------------------------|----------------|
| 16 fl.oz. trigger spray bottle | LUPO-16 |



PurGel Klear

Features:

- meets FDA 21 CFR Part 172: Food Additive Permitted for direct addition to food for human consumption and Part 178: Indirect Food Additives
- pure white, FDA approved kosher petrolatum for use as a release agent
- use for any assembly, barrier or release applications holding O-rings, gaskets, coating cutting blades or augers

| Description | Part Number |
|--------------------|----------------|
| 8 oz. squeeze tube | LUPG-08 |

Food Grade Anti-Seize

Features:

- NSF H1 registered for incidental food contact
- non-toxic and non-drying
- lubricates threads
- forms leak-proof seals
- prevents corrosion
- resists water and steam



| Description | Part Number |
|---------------------------------|----------------|
| 8 oz. bottle with brush-top cap | LUAS-08 |

Stainless Steel Cleaner & Polish

Features:

- A7 Registered for use in federally-inspected facilities
- repels water – beads up like wax
- provides high-gloss protective shield
- dissolves tarnish
- rubs in completely, with no dust or residue



| Description | Part Number |
|--------------------|----------------|
| 14 oz. aerosol can | LUCP-14 |

All products shipped with MSDS (Material Safety Data Sheets)

Swivels

Product Specifications

Size range:

- 1" - 4" Tube OD

Materials:

- 316L stainless steel
- PTFE with silicone seals

Finish:

- sanitary finish ID and OD

Features:

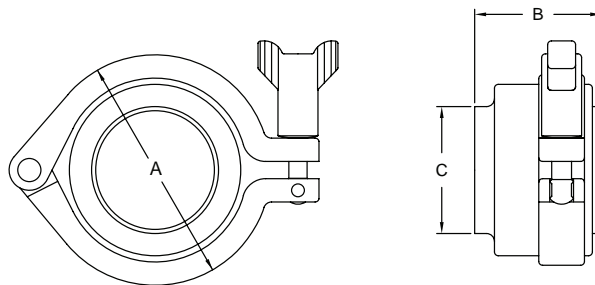
- available in clamp and weld configurations
- optional elastomers available



pressure ratings

| Size | PSI at 70°F | PSI at 250°F |
|------|-------------|--------------|
| 1" | 500 | 300 |
| 1½" | 500 | 300 |
| 2" | 450 | 250 |
| 2½" | 400 | 200 |
| 3" | 350 | 175 |
| 4" | 300 | 150 |

Straight Swivel - SJSS



straight clamp dimensions - style 20

| Part Number | Size | A | B | C |
|---------------------|------|------|------|------|
| SJSS100CC-20 | 1.00 | 2.56 | 3.00 | 1.00 |
| SJSS150CC-20 | 1.50 | 2.56 | 3.00 | 1.50 |
| SJSS200CC-20 | 2.00 | 3.09 | 3.00 | 2.00 |
| SJSS250CC-20 | 2.50 | 3.44 | 3.00 | 2.50 |
| SJSS300CC-20 | 3.00 | 3.94 | 3.00 | 3.00 |
| SJSS400CC-20 | 4.00 | 5.08 | 4.19 | 4.00 |

straight weld connection dimensions - style 20

| Part Number | Size | A | B | C |
|---------------------|------|------|------|------|
| SJSS100BB-20 | 1.00 | 2.56 | 2.00 | 1.00 |
| SJSS150BB-20 | 1.50 | 2.56 | 2.00 | 1.50 |
| SJSS200BB-20 | 2.00 | 3.09 | 2.00 | 2.00 |
| SJSS250BB-20 | 2.50 | 3.44 | 2.00 | 2.50 |
| SJSS300BB-20 | 3.00 | 3.94 | 2.00 | 3.00 |
| SJSS400BB-20 | 4.00 | 5.08 | 2.94 | 4.00 |

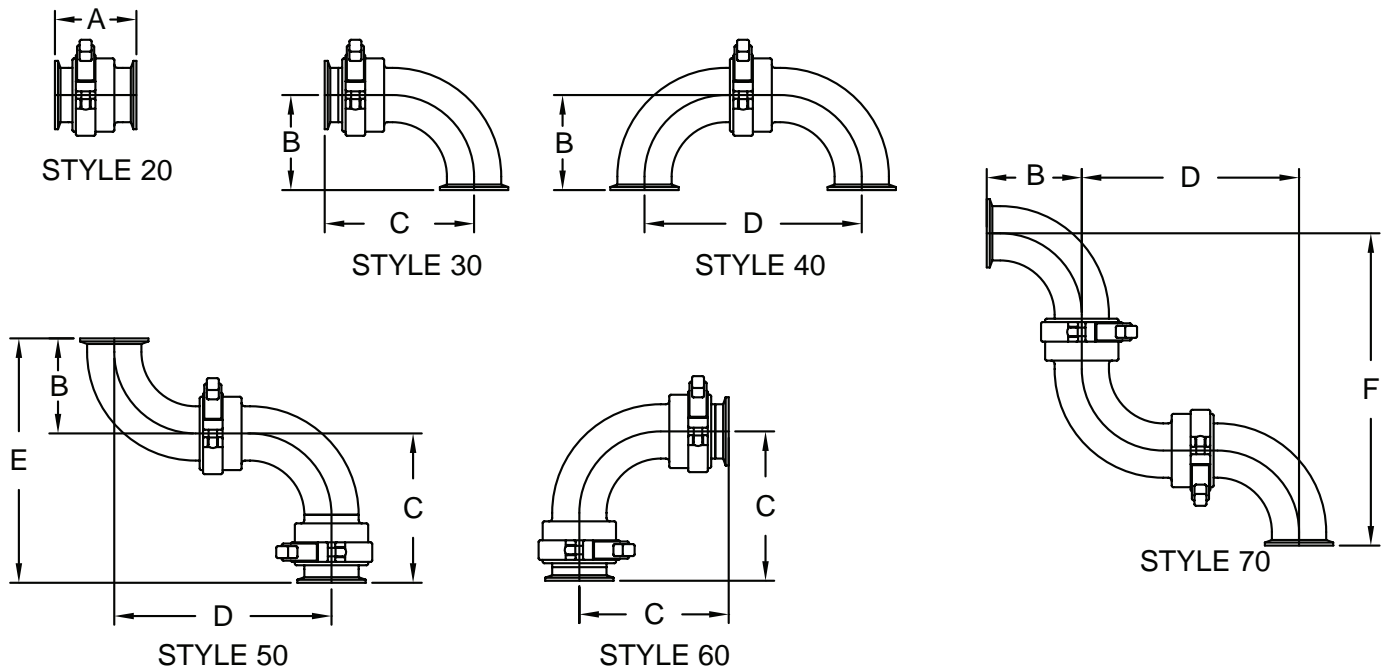
Index

Straight Swivel..... 141
Configurations 142

Bill of Material 143

P

Straight Swivels - SJSS Configurations



clamp joint dimensions

| Part Number | Size | A | B | C | D | E | F |
|---------------------|------|------|------|------|-------|-------|-------|
| <i>SJSS100CC</i> -* | 1" | 3.00 | 2.00 | 4.00 | 5.00 | 6.00 | 7.00 |
| <i>SJSS150CC</i> -* | 1½" | 3.00 | 2.75 | 4.75 | 6.50 | 7.50 | 9.25 |
| <i>SJSS200CC</i> -* | 2" | 3.00 | 3.50 | 5.50 | 8.00 | 9.00 | 11.50 |
| <i>SJSS250CC</i> -* | 2½" | 3.00 | 4.25 | 6.25 | 9.50 | 10.50 | 13.75 |
| <i>SJSS300CC</i> -* | 3" | 3.00 | 5.00 | 7.00 | 11.00 | 12.00 | 16.00 |
| <i>SJSS400CC</i> -* | 4" | 5.19 | 6.63 | 9.63 | 14.94 | 15.94 | 21.56 |

P

* For all other styles, please contact Dixon Sanitary for pricing

Swivels

Bill of Material



| Item | Description | Material | Quantity |
|------|---------------|----------|----------|
| 1 | clamp | 304 | 1 |
| 2 | collar cap | 316L | 1 |
| 3 | collar | PTFE | 1 |
| 4 | male end | 316L | 1 |
| 5 | diameter seal | Silicone | 1 |
| 6 | friction seal | PTFE | 1 |
| 7 | female seal | Silicone | 1 |
| 8 | female end | 316L | 1 |

Cam and Groove

Cam & Groove Fitting Selection

Product Specifications



Size range:

- 1" - 4"

Materials:

- 316L stainless steel
- (316) CF8M
- aluminum

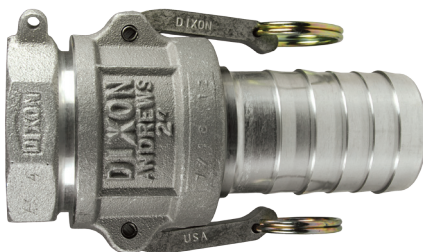
Index

| | | | |
|----------------------|---------|---------------------------|---------|
| Specifications | 145 | Replacement Handles | 150 |
| Drawings..... | 146 | Reducing | 151 |
| Adapters | 147-148 | Spools..... | 152 |
| Dust Plugs | 149 | Flanged..... | 153 |
| Couplers | 149 | Gaskets | 153-154 |
| Dust Caps..... | 150 | | |

Q

Cam and Groove

Dixon



Features:

- precision machined to rigid tolerances
- durable stainless steel cam arm pins will not rust or bind, for greater strength and safety
- recess holds gasket firmly in place - ensures proper placement
- long shank design allows proper banding, thus eliminating the major cause of hose damage

Operation of Cam and Groove

1. To make connection, simply slide the adapter into the coupler and with normal hand pressure, press the cam levers down.
2. Uncoupling is as quick and simple as coupling. Just lift the cam arms and remove the adapter.

Ordering System



Size represents the coupler or adapter and hose or pipe end. (i.e. 200 = 2") If the coupling is a reducing size, the coupler or adapter is the first size. (i.e. 4030-C is 4" coupler to 3" hose shank).

Specifications on Dixon Cam and Groove

Specifications:

- Dixon cam and groove couplers and adapters are produced to interchange with all product produced to Commercial Item Description A-A-59326B.
- No standard exists for the ½" and 8" fittings, and generally these sizes do not interchange with other manufacturers.
- Dust caps and dust plugs are **not** to be used in pressure applications for safety and environmental reasons.
- *Designed for use with liquids*, consult Dixon for specific recommendations.

Pressure Ratings:



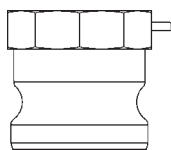
Recommendations based on the use of mating Dixon fittings at ambient temperature (70°F) with standard Buna-N Seal installed. For use at elevated temperature or other unusual operating conditions, consult the factory. Dixon, Boss-Lock and EZ Boss-Lock couplers and adapters maximum working pressure are as follows:

| Size | ½" | ¾" thru 2" | 2½" | 3" | 4" | 5" and 6" | 8" |
|--|-----|------------|-----|-----|-----|-----------|----|
| PSI | 150 | 250 | 150 | 125 | 100 | 75 | 50 |
| PSI (working pressure with King Crimp ferrule system) | 150 | 250 | 150 | 150 | 150 | 75 | 50 |

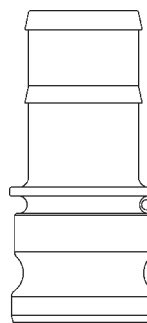


Cam and Groove Line Drawings

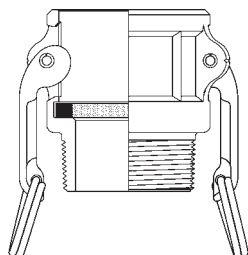
Line drawings are representative of the Dixon line of cam and groove.



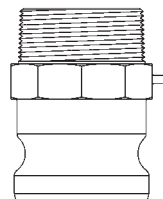
Type A
female NPT x male adapter



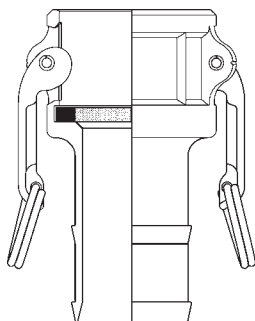
Type E
hose shank x male adapter



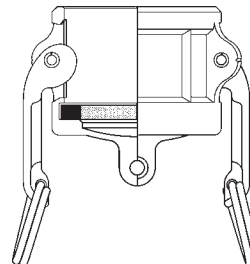
Type B
female coupler x male NPT



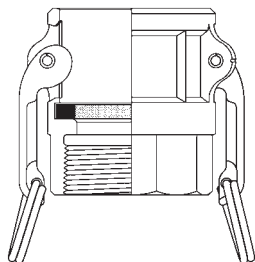
Type F
male NPT x male adapter



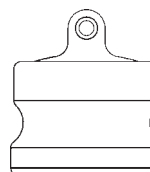
Type C
female coupler x hose shank



Type DC
dust cap



Type D
female coupler x female NPT



Type DP
dust plug

Q

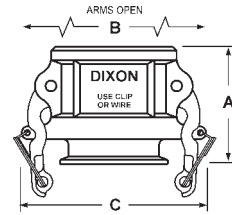


Dust caps and dust plugs are **not** to be used in pressure applications for safety and environmental reasons.

Cam and Groove Clamp Adapters

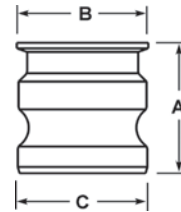
Coupler x Clamp End - RC

| Tube OD | A | B | C | 316 Stainless Steel Part Number |
|---------|-------|--------|-------|------------------------------------|
| 1½" | 2.687 | 7.875 | 3.937 | RC150SE |
| 2" | 2.812 | 8.250 | 4.312 | RC200SE |
| 3" | 3.000 | 10.000 | 5.625 | RC300SE |



Adapter x Clamp End - RE

| Tube OD | A | B | C | 316 Stainless Steel Part Number |
|---------|-------|-------|-------|------------------------------------|
| 1½" | 2.281 | 2.000 | 2.093 | RE150SE |
| 2" | 2.593 | 2.500 | 2.468 | RE200SE |
| 3" | 2.750 | 3.562 | 3.593 | RE300SE |



Dixon Weld to Tube Cam and Groove

Features:

- 316 stainless steel investment casting
- designed to be welded to standard sanitary tubing

Boss-Lock coupler x weld to tube end

| Size | 316 Stainless Steel Part Number |
|------|------------------------------------|
| 1" | RC100BT |
| 1½" | RC150BT |
| 2" | RC200BT |
| 3" | RC300BT |



Q

Adapter x weld to tube end

| Size | 316 Stainless Steel Part Number |
|------|------------------------------------|
| 1" | RE100BT |
| 1½" | RE150BT |
| 2" | RE200BT |
| 3" | RE300BT |



Global Type A Adapters



| Size | A380 Permanent Mold Aluminum Part Number | 316 Investment Cast Stainless Steel Part Number |
|--------|---|--|
| 1/2" | G50-A-AL | --- |
| 3/4" | G75-A-AL | G75-A-SS |
| 1" | G100-A-AL | G100-A-SS |
| 1 1/4" | G125-A-AL | G125-A-SS |
| 1 1/2" | G150-A-AL | G150-A-SS |
| 2" | G200-A-AL | G200-A-SS |
| 2 1/2" | G250-A-AL | G250-A-SS |
| 3" | G300-A-AL | G300-A-SS |
| 4" | G400-A-AL | G400-A-SS |

Global Type E Adapters



| Size | A380 Permanent Mold Aluminum Part Number | 316 Investment Cast Stainless Steel Part Number |
|--------|---|--|
| 1/2" | G50-E-AL | --- |
| 3/4" | G75-E-AL | G75-E-SS |
| 1" | G100-E-AL | G100-E-SS |
| 1 1/4" | G125-E-AL | G125-E-SS |
| 1 1/2" | G150-E-AL | G150-E-SS |
| 2" | G200-E-AL | G200-E-SS |
| 2 1/2" | G250-E-AL | G250-E-SS |
| 3" | G300-E-AL | G300-E-SS |
| 4" | G400-E-AL | G400-E-SS |

Global Type F Adapters



| Size | A380 Permanent Mold Aluminum Part Number | 316 Investment Cast Stainless Steel Part Number |
|--------|---|--|
| 1/2" | G50-F-AL | --- |
| 3/4" | G75-F-AL | G75-F-SS |
| 1" | G100-F-AL | G100-F-SS |
| 1 1/4" | G125-F-AL | G125-F-SS |
| 1 1/2" | G150-F-AL | G150-F-SS |
| 2" | G200-F-AL | G200-F-SS |
| 2 1/2" | G250-F-AL | G250-F-SS |
| 3" | G300-F-AL | G300-F-SS |
| 4" | G400-F-AL | G400-F-SS |

Q

Global Type DP Dust Plugs

| Size | A380 Permanent Mold Aluminum | 316 Investment Cast Stainless Steel |
|------|-------------------------------|-------------------------------------|
| | Part Number | Part Number |
| ½" | G50-DP-AL ¹ | --- |
| ¾" | G75-DP-AL | G75-DP-SS |
| 1" | G100-DP-AL | G100-DP-SS |
| 1¼" | G125-DP-AL | G125-DP-SS |
| 1½" | G150-DP-AL | G150-DP-SS |
| 2" | G200-DP-AL | G200-DP-SS |
| 2½" | G250-DP-AL | G250-DP-SS |
| 3" | G300-DP-AL | G300-DP-SS |
| 4" | G400-DP-AL | G400-DP-SS |

¹ Does not interchange in the ½" size with Dixon or Boss-Lock style cam and groove.



Global Type B Couplers

| Size | A380 Permanent Mold Aluminum | 316 Investment Cast Stainless Steel |
|------|--------------------------------|-------------------------------------|
| | Part Number | Part Number |
| ½" | G50-B-AL ^{1,2} | --- |
| ¾" | G75-B-AL ² | G75-B-SS |
| 1" | G100-B-AL ² | G100-B-SS |
| 1¼" | G125-B-AL | G125-B-SS |
| 1½" | G150-B-AL | G150-B-SS |
| 2" | G200-B-AL | G200-B-SS |
| 2½" | G250-B-AL | G250-B-SS |
| 3" | G300-B-AL | G300-B-SS |
| 4" | G400-B-AL | G400-B-SS |

¹ Does not interchange in the ½" size with Dixon or Boss-Lock style cam and groove.

² supplied with stainless steel handles



Global Type C Couplers

| Size | A380 Permanent Mold Aluminum | 316 Investment Cast Stainless Steel |
|------|--------------------------------|-------------------------------------|
| | Part Number | Part Number |
| ½" | G50-C-AL ^{1,2} | --- |
| ¾" | G75-C-AL ² | G75-C-SS |
| 1" | G100-C-AL ² | G100-C-SS |
| 1¼" | G125-C-AL | G125-C-SS |
| 1½" | G150-C-AL | G150-C-SS |
| 2" | G200-C-AL | G200-C-SS |
| 2½" | G250-C-AL | G250-C-SS |
| 3" | G300-C-AL | G300-C-SS |
| 4" | G400-C-AL | G400-C-SS |

¹ Does not interchange in the ½" size with Dixon or Boss-Lock style cam and groove.

² supplied with stainless steel handles



Q

Global Type D Couplers

| Size | A380 Permanent Mold Aluminum | 316 Investment Cast Stainless Steel |
|------|--------------------------------|-------------------------------------|
| | Part Number | Part Number |
| ½" | G50-D-AL ^{1,2} | --- |
| ¾" | G75-D-AL ² | G75-D-SS |
| 1" | G100-D-AL ² | G100-D-SS |
| 1¼" | G125-D-AL | G125-D-SS |
| 1½" | G150-D-AL | G150-D-SS |
| 2" | G200-D-AL | G200-D-SS |
| 2½" | G250-D-AL | G250-D-SS |
| 3" | G300-D-AL | G300-D-SS |
| 4" | G400-D-AL | G400-D-SS |



Global Type DC Dust Caps



| Size | A380 Permanent Mold Aluminum Part Number | 316 Investment Cast Stainless Steel Part Number |
|------|---|--|
| ½" | G50-DC-AL ^{1, 2} | --- |
| ¾" | G75-DC-AL ² | G75-DC-SS |
| 1" | G100-DC-AL ² | G100-DC-SS |
| 1¼" | G125-DC-AL | G125-DC-SS |
| 1½" | G150-DC-AL | G150-DC-SS |
| 2" | G200-DC-AL | G200-DC-SS |
| 2½" | G250-DC-AL | G250-DC-SS |
| 3" | G300-DC-AL | G300-DC-SS |
| 4" | G400-DC-AL | G400-DC-SS |

¹ Does not interchange in the ½" size with Dixon or Boss-Lock style cam and groove.

² come with stainless steel handles

Replacement Handle Assemblies for Global Couplers

For Aluminum and Brass Global Couplers



investment stainless

| Fits on Sizes | Investment Stainless Part Number |
|---------------|-------------------------------------|
| ¾" | G75HRP |
| 1" | G100HRP |
| 1½" - 2½" | G152HRPSI |
| 3" and 4" | G34HRPSI |



forged brass

| Fits on sizes | Forged Brass Part # |
|---------------|------------------------|
| 1¼" - 2½" | G152HRP |
| 3" and 4" | G34HRP |

For Stainless Steel Global Couplers



investment stainless

| Fits on Sizes | Investment Stainless Part Number |
|---------------|-------------------------------------|
| ¾" | G75HRPSS |
| 1" | G100HRPSS |
| 1¼" - 2½" | G125250HRPSS |
| 3" and 4" | G300400HRPSS |

Q

Reducing Cam and Groove Couplings

- In reducing couplings, the cam and groove end is the first size given in the part number (i.e. a 4030-C-AL is a 4" coupler to a 3" hose shank).

Type A

- Pressure rating is based on the seal of the mating part. See ratings on page 145.

male adapter x female NPT

| Size | 356T6 Aluminum | 316 Stainless Steel |
|---------|------------------|-------------------------------|
| | Part Number | Part Number |
| 2" x 3" | 2030-A-AL | 2030-A-SS |
| 3" x 2" | 3020-A-AL | 3020-A-SS |
| 3" x 4" | 3040-A-AL | --- |
| 4" x 3" | 4030-A-AL | 4030-A-SS ¹ |

¹ Part produced as a welded fabrication.



Type F

- Pressure rating is based on the seal of the mating part. See ratings on page 145.

male adapter x male NPT

| Size | 356T6 Aluminum | 316 Stainless Steel |
|----------|------------------|-------------------------------|
| | Part Number | Part Number |
| 1½" x 2" | 1520-F-AL | --- |
| 3" x 2" | 3020-F-AL | 3020-F-SS |
| 3" x 4" | 3040-F-AL | --- |
| 4" x 3" | 4030-F-AL | 4030-F-SS ¹ |

¹ Part produced as a welded fabrication.



Type B

Feature:

- Couplers are supplied standard with a Buna-N gasket, other gasket types are available on pages 153-154.

female coupler x male NPT

| Size | 356T6 Aluminum | 316 Stainless Steel |
|---------|------------------|-------------------------------|
| | Part Number | Part Number |
| 3" x 2" | 3020-B-AL | 3020-B-SS ¹ |
| 3" x 4" | 3040-B-AL | --- |
| 4" x 3" | 4030-B-AL | 4030-B-SS ¹ |

¹ Parts are produced as a welded fabrication.



Dixon Reducing Cam and Groove Couplings

Features:

- Couplers are supplied standard with a Buna-N gasket, other gasket types are available on pages 153-154.
- In reducing cam and groove couplings, the coupler is the first size in the part number.

female coupler x male NPT

| Size | 356T6 Aluminum | 316 Stainless Steel |
|----------|-------------------|--------------------------------|
| | Part Number | Part Number |
| 1½" x 2" | 1520-DA-AL | 1520-DA-SS |
| 2" x 1½" | 2015-DA-AL | 2015-DA-SS |
| 2" x 3" | 2030-DA-AL | 2030-DA-SS |
| 3" x 2" | 3020-DA-AL | 3020-DA-SS |
| 3" x 4" | 3040-DA-AL | 3040-DA-SS |
| 4" x 2" | 4020-DA-AL | 4020-DA-SS ¹ |
| 4" x 3" | 4030-DA-AL | 4030-DA-SS |



Q

Dixon Spool Adapters



increaser / reducer



same size

Feature:

- Pressure rating is based on the seal of the mating part. See ratings on page 145.

adapter x adapter

| Size | 356T6 Aluminum Part Number | 316 Stainless Steel Part Number |
|---------|-------------------------------|------------------------------------|
| 2" | 200-AA-AL | 200-AA-SS |
| 2" x 3" | 2030-AA-AL | 2030-AA-SS |
| 3" | 300-AA-AL | 300-AA-SS |
| 3" x 4" | 3040-AA-AL | 3040-AA-SS¹ |
| 4" | 400-AA-AL | 400-AA-SS |

¹ Part produced as a welded fabrication.

Dixon Spool Couplers



reducer / increaser



same size

Feature:

- Couplers are supplied standard with a Buna-N gasket, other gasket types are available on pages 153-154.

coupler x coupler

| Size | 356T6 Aluminum Part Number | 316 Stainless Steel Part Number |
|---------|-------------------------------|------------------------------------|
| 2" | 200-DD-AL | 200-DD-SS |
| 2" x 3" | 2030-DD-AL | 2030-DD-SS |
| 3" | 300-DD-AL | 300-DD-SS |
| 3" x 4" | 3040-DD-AL | 3040-DD-SS¹ |
| 4" | 400-DD-AL | 400-DD-SS |

¹ Part produced as a welded fabrication.

Q

Adapters and Couplers x 150# Flanged Drilling

Features:

- Aluminum flanges are flat faced.
- Stainless steel flanges are raised face.
- Flanges have the same bolt hole pattern as an ANSI 150 lb flange. The thickness may vary.

Dixon adapter x 150# flange

| Size | Aluminum Part Number | Approximate Flange Thickness | 316 Stainless Steel Part Number | Approximate Flange Thickness |
|------|----------------------|------------------------------|---------------------------------|------------------------------|
| 1½" | --- | --- | 150-AL-SS | 11/16" |
| 2" | 200-AL-AL | 3/4" | 200-AL-SS | 7/16" |
| 3" | 300-AL-AL | 5/8" | 300-AL-SS | 7/16" |
| 4" | 400-AL-AL | 5/8" | 400-AL-SS | 7/16" |


Feature:

- global product made to Dixon specifications

Global Dixon adapter x 150# ANSI flange

| Size | 316 Stainless Steel Part # | Flange Thickness |
|------|----------------------------|------------------|
| 2" | 200-AL-SSANSI | ¾" |
| 3" | 300-AL-SSANSI | 15/16" |


Feature:

- Couplers are supplied standard with a Buna-N gasket, other gasket types are available on pages 153-154.

Dixon coupler x 150# flange

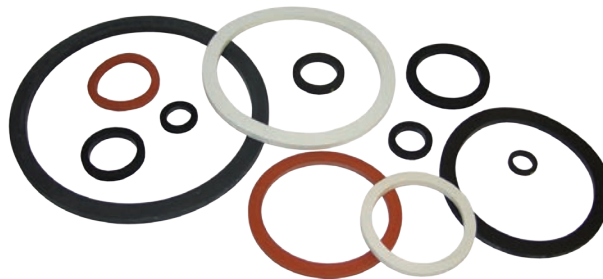
| Size | 356T6 Aluminum Part Number | Approximate Flange Thickness | 316 Stainless Steel Part Number | Approximate Flange Thickness |
|------|----------------------------|------------------------------|---------------------------------|------------------------------|
| 1½" | --- | --- | 150-DL-SS | 25/32" |
| 2" | 200-DL-AL | 3/4" | 200-DL-SS | 7/16" |
| 3" | 300-DL-AL | 15/16" | 300-DL-SS | 7/16" |
| 4" | 400-DL-AL | 15/16" | 400-DL-SS | 7/16" |



Cam and Groove Gaskets

Feature:

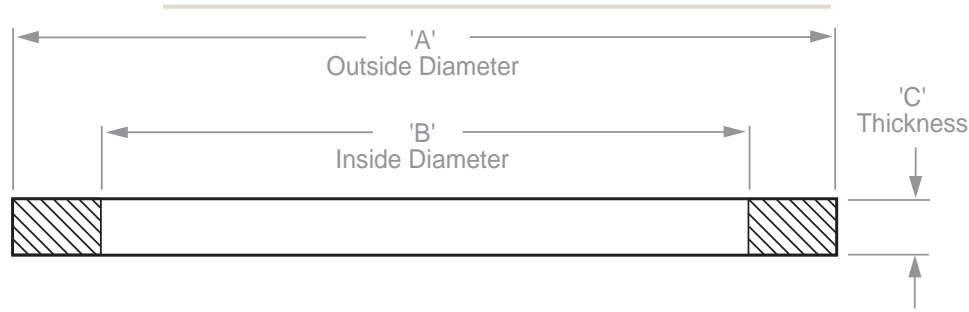
- White neoprene and white Buna-N gaskets all contain FDA approved materials.



| Size | Buna-N Part Number | FKM Part Number | Neoprene Part Number | white Neoprene Part Number | white Buna-N Part Number | Silicone Part Number |
|------|--------------------|-----------------|----------------------|----------------------------|--------------------------|----------------------|
| ½" | 50-G-BU | 50-G-VI | --- | --- | --- | --- |
| ¾" | 75-G-BU | 75-G-VI | 75-G-NE | --- | --- | --- |
| 1" | 100-G-BU | 100-G-VI | 100-G-NE | --- | --- | --- |
| 1¼" | 125-G-BU | 125-G-VI | 125-G-NE | --- | --- | --- |
| 1½" | 150-G-BU | 150-G-VI | 150-G-NE | 150-G-WNE | --- | 150-G-SIL |
| 2" | 200-G-BU | 200-G-VI | 200-G-NE | 200-G-WNE | --- | 200-G-SIL |
| 2½" | 250-G-BU | 250-G-VI | 250-G-NE | --- | --- | --- |

Q

Dixon Cam and Groove Gasket Dimensions



Features:

- The following are the nominal dimensions for Dixon's elastomeric cam and groove gaskets.
- The ID's of the PTFE envelope gaskets and the PTFE accordion gaskets are $1/16"$ smaller than the ID's for the elastomeric gaskets shown below.
- Thickness of PTFE accordion gaskets may vary from chart below.

| Size | Part Number | 'A' | 'B' | 'C' |
|--------|--------------------------|----------|----------|-------|
| 1/2" | 50-G ¹ | 1-1/32" | 11/16" | .156" |
| 3/4" | 75-G | 1-3/8" | 7/8" | .218" |
| 1" | 100-G | 1-9/16" | 1-1/16" | .250" |
| 1 1/4" | 125-G | 1-15/16" | 1-23/64" | .250" |
| 1 1/2" | 150-G | 2-3/16" | 1-5/8" | .250" |
| 2" | 200-G | 2-5/8" | 2" | .250" |
| 2 1/2" | 250-G | 3-1/8" | 2-3/8" | .250" |
| 3" | 300-G | 3-23/32" | 3" | .250" |
| 4" | 400-G | 4-7/8" | 4" | .250" |



¹ No interchange standard exists for the 1/2" fittings. Generally, these sizes do not interchange with other manufacturer's products. As such, the gaskets in these sizes are not suitable for use in other manufacturers' couplings.

Dixon Cam and Groove Gasket Color Codes

| Gasket Code | Gasket Material | Material Color | Color code stripes (appear on the OD of the gasket or filler) |
|-------------|---|----------------|--|
| -BU | Buna-N (standard in all metal fittings) | black | 1 blue |
| -VI | FKM | black | 1 yellow |
| -NE | Neoprene | black | 1 red |
| -WNE | White Neoprene, FDA approved material | white | none |
| -WB | White Buna N, FDA approved material | white | blue |
| -SIL | Silicone | red | none |

Q

Since other manufacturers coding systems vary

GOODYEAR
GOODYEARBELTING.COM

Call Toll Free: 1-866-711-4673
International: +1-727-342-5086

**We Ship
World Wide**

Hose Fittings

Product Specifications

Size range:

- fittings: 1" - 4"
- clamps: 7/32" - 13"
- tubing: 3/8" OD - 2" OD

Materials:

- fittings: 304 stainless steel, 316 stainless steel, plated steel
- clamps: SAE 300 series stainless steel
- tubing: clear PVC

Hose Fitting Selection



Index

| | | | |
|----------------------------------|---------|----------------------------|---------|
| True ID..... | 156 | Crimp Stems..... | 159 |
| Internal Expansion Stems..... | 157-158 | Crimp Ferrules..... | 160 |
| Internal Expansion Ferrules..... | 157 | Crimp Recommendations..... | 161-163 |

R

True ID

Application:

- Suitable for conveying acids, chemicals, foods and pharmaceuticals.

Features:

- range: ¼" to 2"
- operating temperature: -100°F to +450°F (-73°C to +232°C)
- boxed coils (bulk, per ft. lengths and full reels available from Maryland and Texas, call Dixon Specialty Products at 888.226.4673)
- stainless braided
- Other braids including synthetic, extruded and heat shrink coverings are available upon request.

True ID Fittings

Crimp collars for all True ID fittings are sold separately

Mini Sanitary Tri-Clamp



| Size | 316 Stainless Steel Part # | Box Qty |
|------|-------------------------------|------------|
| 1/2" | TCMR-T08 | 10 |
| 3/4" | TCMR-T12 | 10 |

- contact Dixon Specialty Products for GSM and PTFE hose assemblies

Sanitary Tri-Clamp



| Hose Size | Clamp Size | 316 Stainless Steel Part # | Box Qty |
|-----------|------------|-------------------------------|------------|
| 1/2" | 1" | TCR-T08-16 | 10 |
| 1/2" | 1½" | TCR-T08-24 | 10 |
| 3/4" | 1½" | TCR-T12-24 | 10 |
| 1" | 1" | TCR-T16-16 | 10 |
| 1" | 1½" | TCR-T16-24 | 10 |
| 1½" | 1½" | TCR-T24-24 | 10 |
| 2" | 2" | TCR-T32-32 | 10 |

Flange Retainers

- for use with lap joint flanges, see page 726 in DPL116



| Size | 316 Stainless Steel Part # | 316 Stainless Steel PTFE Encapsulated Part # | Box Qty |
|------|-------------------------------|---|------------|
| 1/2" | FRR-T08 | --- | 10 |
| 3/4" | FRR-T12 | FRRE-T12 | 10 |
| 1" | FRR-T16 | FRRE-T16 | 10 |
| 1¼" | FRR-T20 | FRRE-T20 | 10 |
| 1½" | FRR-T24 | FRRE-T24 | 10 |
| 2" | FRR-T32 | FRRE-T32 | 10 |

R

CIP Internal Expansion (IX) Sanitary Style Hose Couplings

Application:

- Flow Chief Sanitary fittings are used in the food, dairy and beverage industries.

Features:

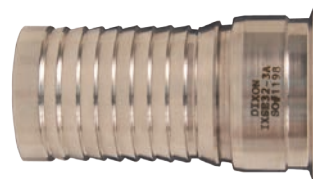
- Clean-In-Place (CIP) compliant
- Flow Chief internal expansion (IX) fittings are only to be used with Flow Chief stainless steel ferrules.

Sanitary Clamp End Stems

Features:

- see pages 26-32 for sanitary style gaskets
- see pages 7-9 for sanitary style clamps
- special plug is required to expand CIP compliant fittings
- special adapter plate is required to expand 1½" CIP compliant fittings
- 3A compliant when assembled by 3A authorized hose shop

| Size | 304 Stainless Steel Part # |
|------|-------------------------------|
| 1½" | IXSE24-3A |
| 2" | IXSE32-3A |
| 3" | IXSE48-3A |



Tube Weld End Stem

Feature:

- special plug is required to expand CIP compliant fittings

| Size | 304 Stainless Steel Part # |
|------|-------------------------------|
| 2" | IXPE32-3A |



Special Expansion Plug for CIP Compliant IX Fittings

| Hose Size | 304 Stainless Steel Part # |
|-----------|-------------------------------|
| 1½" | IXFDPLG137 |
| 2" | IXFDPLG187 |
| 3" | IXFDPLG287 |



Flow Chief Ferrules

Feature:

- the ferrule ID's are designed in increments of 1/16"

| Size | Hose OD | | 304 Stainless Steel Part # |
|---------|----------|----------|-------------------------------|
| | From: | To: | |
| 1½" | 1-56/64" | 1-59/64" | 24PFX1.937 |
| | 1-60/64" | 1-63/64" | 24PFX2.000 |
| | 2" | 2-3/64" | 24PFX2.062 |
| | 2-4/64" | 2-7/64" | 24PFX2.125 |
| | 2-8/64" | 2-11/64" | 24PFX2.187 |
| | 2-12/64" | 2-15/64" | 24PFX2.250 |
| 2" | 2-16/64" | 2-19/64" | 24PFX2.312² |
| | 2-28/64" | 2-31/64" | 32PFX2.500 |
| | 2-32/64" | 2-35/64" | 32PFX2.562 |
| | 2-36/64" | 2-39/64" | 32PFX2.625 |
| | 2-40/64" | 2-43/64" | 32PFX2.687 |
| | 2-44/64" | 2-47/64" | 32PFX2.750 |
| | 2-48/64" | 2-51/64" | 32PFX2.812 |
| | 2-52/64" | 2-55/64" | 32PFX2.875 |
| | 2-56/64" | 2-59/64" | 32PFX2.937 |
| | 3" | 3" | 3-3/64" |
| 3-4/64" | | 3-7/64" | 40PFX3.125 |



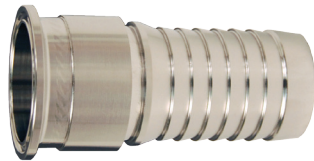
| Size | Hose OD | | 304 Stainless Steel Part # |
|----------|----------|----------|-------------------------------|
| | From: | To: | |
| 3" | 3-8/64" | 3-11/64" | 40PFX3.187 |
| | 3-12/64" | 3-15/64" | 40PFX3.250 |
| | 3-16/64" | 3-19/64" | 40PFX3.312 |
| | 3-20/64" | 3-23/64" | 40PFX3.375 |
| | 3-28/64" | 3-31/64" | 40PFX3.500 |
| | 3-32/64" | 3-35/64" | 48PFX3.562 |
| | 3-36/64" | 3-39/64" | 48PFX3.625 |
| | 3-40/64" | 3-43/64" | 48PFX3.687 |
| | 3-44/64" | 3-47/64" | 48PFX3.750 |
| | 3-48/64" | 3-51/64" | 48PFX3.812 |
| | 3-52/64" | 3-55/64" | 48PFX3.875 |
| | 3-56/64" | 3-59/64" | 48PFX3.937 |
| | 3-60/64" | 3-63/64" | 48PFX4.000 |
| | 4" | 4" | 4-3/64" |
| 4-4/64" | | 4-7/64" | 48PFX4.125 |
| 4-36/64" | | 4-39/64" | 64PFX4.625 |
| 4-40/64" | | 4-43/64" | 64PFX4.687 |
| 4-44/64" | | 4-47/64" | 64PFX4.750 |
| 4-48/64" | | 4-51/64" | 64PFX4.812 |

¹ 1½" and 2" ferrules do not have serrations on the ID

² consult Dixon factory for working pressure

R

Internal Expansion (IX) Sanitary Style Hose Couplings



Features:

- sanitary clamp style end
- Flow Chief internal expansion (IX) fittings are only to be used with Flow Chief stainless steel ferrules.
- see pages 26-32 for sanitary style gaskets
- see pages 7-9 for sanitary style clamps

| Size | 304 Stainless Steel Part # |
|------|-------------------------------|
| 1½" | IXSE24 |
| 2" | IXSE32 |
| 2½" | IXSE40 |
| 3" | IXSE48 |
| 4" | IXSE64 |

Internal Expansion (IX) Male NPT Hose Couplings



Feature:

- Flow Chief internal expansion (IX) fittings are only to be used with Flow Chief stainless steel ferrules.

| Size | 304 Stainless Steel Part # |
|------|-------------------------------|
| 1½" | IXMS24 |
| 2" | IXMS32 |
| 2½" | IXMS40 |
| 3" | IXMS48 |
| 4" | IXMS64 |

Internal Expansion (IX) Bevel Seat Hose Couplings

Features:

- Flow Chief internal expansion (IX) fittings are only to be used with Flow Chief stainless steel ferrules
- see page 53-54 for bevel seat gaskets

Female Shank



Feature:

- only use with the IXAN nuts shown below

| Size | 304 Stainless Steel Part # |
|------|-------------------------------|
| 1½" | IXFS24 |
| 2" | IXFS32 |
| 2" | IXFS32-3A¹ |
| 2½" | IXFS40 |
| 3" | IXFS48 |
| 4" | IXFS64 |

¹ must use plug part # IXFDPLG187

Threaded Hex Nuts



series 13H (modified)

| Size | 304 Stainless Steel Part # |
|------|-------------------------------|
| 1½" | IXAN24 |
| 2" | IXAN32 |
| 2½" | IXAN40 |
| 3" | IXAN48¹ |
| 4" | IXAN64 |

R

Sanitary Style Crimp Stems

Sanitary End x Hose Shank

Features:

- sanitary style end
- Dixon's sanitary crimp stems are only to be used with Dixon sanitary stainless steel crimp ferrules

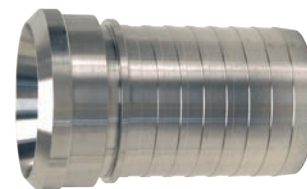
| Size | 316 Stainless Steel Part Number |
|------|------------------------------------|
| 1" | CSSR100 |
| 1½" | CSSR150 |
| 2" | CSSR200 |
| 3" | CSSR300 |
| 4" | CSSR400 |



Female Bevel Seat End x Hose Shank

- only to be used with IXAN nuts on page 158

| Size | Nut Used | 316 Stainless Steel Part Number |
|------|----------|------------------------------------|
| 1" | 13H-G100 | CBSR100 |
| 1½" | IXAN24 | CBSR150 |
| 2" | IXAN32 | CBSR200 |
| 3" | IXAN300 | CBSR300 |
| 4" | IXAN64 | CBSR400 |



Female I-Line End x Hose Shank

| Size | 316 Stainless Steel Part Number |
|------|------------------------------------|
| 1½" | CILR150 |
| 2" | CILR200 |
| 3" | CILR300 |
| 4" | CILR400 |



Tube Weld End x Hose Shank

| Size | 316 Stainless Steel Part Number |
|------|------------------------------------|
| 1½" | CTER150 |
| 2" | CTER200 |
| 3" | CTER300 |
| 4" | CTER400 |



Holedall DIN External Crimp Stems

Male Stem

| Size | 316 Stainless Steel Part # |
|------|-------------------------------|
| 1½" | HA0235 |
| 2" | HA0236 |
| 3" | HA0238 |



Female Stem

| Size | 316 Stainless Steel Part # |
|------|-------------------------------|
| 1½" | HA0240 |
| 2" | HA0241 |



R

Sanitary Crimp Ferrules

Features:

- manufactured in AISI 304 stainless steel
- ferrules have a surface finish of 63 or better



| Hose ID | Hose OD | | 304 Stainless Steel Part Number |
|---------|----------|----------|---------------------------------|
| | from | to | |
| 1" | 1-26/64" | 1-28/64" | F16G-1453 |
| | 1-29/64" | 1-31/64" | F16G-1500 |
| | 1-32/64" | 1-34/64" | F16G-1547 |
| | 1-35/64" | 1-37/64" | F16G-1594 |
| | 1-38/64" | 1-40/64" | F16G-1641 |
| | 1-58/64" | 1-61/64" | F24G-1969 |
| 1½" | 1-62/64" | 2-1/64" | F24G-2031 |
| | 2-2/64" | 2-5/64" | F24G-2094 |
| | 2-6/64" | 2-9/64" | F24G-2156 |
| 2" | 2-30/64" | 2-33/64" | F32G-2531 |
| | 2-34/64" | 2-37/64" | F32G-2594 |
| | 2-38/64" | 2-41/64" | F32G-2656 |
| | 2-42/64" | 2-45/64" | F32G-2719 |
| 3" | 3-39/64" | 3-42/64" | F48G-3625 |
| | 3-40/64" | 3-43/64" | F48G-3688 |
| | 3-44/64" | 3-47/64" | F48G-3750 |
| | 3-48/64" | 3-51/64" | F48G-3813 |
| | 3-52/64" | 3-55/64" | F48G-3875 |
| | 3-56/64" | 3-59/64" | F48G-3938 |
| 4" | 4-40/64" | 4-43/64" | F64G-4688 |
| | 4-44/64" | 4-47/64" | F64G-4750 |
| | 4-48/64" | 4-51/64" | F64G-4813 |
| | 4-52/64" | 4-55/64" | F64G-4875 |
| | 4-56/64" | 4-59/64" | F64G-4938 |

R

Crimp Sanitary Recommendation Guide

1" and 1½" Crimped Sanitary Fittings

| Hose ID | Stem Part # | Ferrule Part # | Hose OD | | Crimp Diameter (±0.005) | % Reduction |
|-----------|--|----------------|------------|---------|----------------------------|-------------|
| | | | Fractional | Decimal | | |
| 1" | CSSR100 CBSR100 | F16G-1453 | 1-26/64 | 1.406 | 1.565 | 23% |
| | | | 1-27/64 | 1.422 | 1.577 | 23% |
| | | | 1-28/64 | 1.438 | 1.589 | 23% |
| | | F16G-1500 | 1-29/64 | 1.453 | 1.601 | 23% |
| | | | 1-30/64 | 1.469 | 1.613 | 23% |
| | | | 1-31/64 | 1.484 | 1.625 | 23% |
| | | F16G-1547 | 1-32/64 | 1.500 | 1.637 | 23% |
| | | | 1-33/64 | 1.516 | 1.649 | 23% |
| | | | 1-34/64 | 1.531 | 1.661 | 23% |
| | | F16G-1594 | 1-35/64 | 1.547 | 1.673 | 23% |
| | | | 1-36/64 | 1.563 | 1.685 | 23% |
| | | | 1-37/64 | 1.578 | 1.697 | 23% |
| | | F16G-1641 | 1-38/64 | 1.594 | 1.709 | 23% |
| | | | 1-39/64 | 1.609 | 1.721 | 23% |
| | | | 1-40/64 | 1.625 | 1.733 | 23% |
| 1½" | CSSR150 CBSR150 CILR150 CTER150 HA0240 HA0235 | F24G-1969 | 1-58/64 | 1.906 | 2.063 | 23% |
| | | | 1-59/64 | 1.922 | 2.075 | 23% |
| | | | 1-60/64 | 1.938 | 2.087 | 23% |
| | | | 1-61/64 | 1.953 | 2.099 | 23% |
| | | F24G-2031 | 1-62/64 | 1.969 | 2.111 | 23% |
| | | | 1-63/64 | 1.984 | 2.123 | 23% |
| | | | 2 | 2.000 | 2.135 | 23% |
| | | | 2-1/64 | 2.016 | 2.147 | 23% |
| | | F24G-2094 | 2-2/64 | 2.031 | 2.159 | 23% |
| | | | 2-3/64 | 2.047 | 2.171 | 23% |
| | | | 2-4/64 | 2.063 | 2.183 | 23% |
| | | | 2-5/64 | 2.078 | 2.195 | 23% |
| | | F24G-2156 | 2-6/64 | 2.094 | 2.207 | 23% |
| | | | 2-7/64 | 2.109 | 2.219 | 23% |
| | | | 2-8/64 | 2.125 | 2.231 | 23% |
| | | | 2-9/64 | 2.141 | 2.243 | 23% |
| | | F24G-2250 | 2 (12/64) | 2.187 | 2.279 | 23% |
| | | | 2 (13/64) | 2.203 | 2.291 | 23% |
| | | | 2 (14/64) | 2.218 | 2.303 | 23% |
| | | | 2 (15/64) | 2.234 | 2.315 | 23% |
| | | F24G-3125 | 2 (16/64) | 2.250 | 2.328 | 23% |
| 2 (17/64) | 2.265 | | 2.339 | 23% | | |
| 2 (18/64) | 2.281 | | 2.351 | 23% | | |
| 2 (19/64) | 2.296 | | 2.363 | 23% | | |

R

Crimp Sanitary Recommendation Guide

2" Crimped Sanitary Fittings

| Hose ID | Stem Part # | Ferrule Part # | Hose OD | | Crimp Diameter (±0.005) | % Reduction |
|---------|--|------------------|------------|---------|----------------------------|-------------|
| | | | Fractional | Decimal | | |
| 2" | CSSR200 CBSR200 CILR200 CTER200 HA0236 HA0341 | F24G-2250 | 2-12/64 | 2.187 | 2.279 | 23% |
| | | | 2-13/64 | 2.203 | 2.291 | 23% |
| | | | 2-14/64 | 2.218 | 2.303 | 23% |
| | | | 2-15/64 | 2.234 | 2.315 | 23% |
| | | F24G-3125 | 2-16/64 | 2.250 | 2.328 | 23% |
| | | | 2-17/64 | 2.265 | 2.339 | 23% |
| | | | 2-18/64 | 2.281 | 2.351 | 23% |
| | | | 2-19/64 | 2.296 | 2.363 | 23% |
| | | F32G-2531 | 2-30/64 | 2.469 | 2.611 | 23% |
| | | | 2-31/64 | 2.484 | 2.623 | 23% |
| | | | 2-32/64 | 2.500 | 2.635 | 23% |
| | | | 2-33/64 | 2.516 | 2.647 | 23% |
| | | F32G-2594 | 2-34/64 | 2.531 | 2.659 | 23% |
| | | | 2-35/64 | 2.547 | 2.671 | 23% |
| | | | 2-36/64 | 2.563 | 2.683 | 23% |
| | | | 2-37/64 | 2.578 | 2.695 | 23% |
| | | F32G-2656 | 2-38/64 | 2.594 | 2.707 | 23% |
| | | | 2-39/64 | 2.609 | 2.719 | 23% |
| | | | 2-40/64 | 2.625 | 2.731 | 23% |
| | | | 2-41/64 | 2.641 | 2.743 | 23% |
| | | F32G-2719 | 2-42/64 | 2.656 | 2.755 | 23% |
| | | | 2-43/64 | 2.672 | 2.767 | 23% |
| | | | 2-44/64 | 2.688 | 2.779 | 23% |
| | | | 2-45/64 | 2.703 | 2.791 | 23% |
| | | F32G-2875 | 2-52/64 | 2.812 | 2.876 | 23% |
| | | | 2-53/64 | 2.828 | 2.888 | 23% |
| | | | 2-54/64 | 2.843 | 2.899 | 23% |
| | | | 2-55/64 | 2.859 | 2.911 | 23% |
| | | F32G-2938 | 2-56/64 | 2.875 | 2.924 | 23% |
| | | | 2-57/64 | 2.890 | 2.935 | 23% |
| | | | 2-58/64 | 2.906 | 2.948 | 23% |
| | | | 2-59/64 | 2.921 | 2.959 | 23% |

R

Crimp Sanitary Recommendation Guide

3" and 4" Crimped Sanitary Fittings

| Hose ID | Stem Part # | Ferrule Part # | Hose OD | | Crimp Diameter (±0.005) | % Reduction |
|---------|--|------------------|------------|---------|----------------------------|-------------|
| | | | Fractional | Decimal | | |
| 3" | CSSR300 CBSR300 CILR300 CTER300 HA0238 HA0243 | F48G-3625 | 3-36/64 | 3.563 | 3.683 | 23% |
| | | | 3-37/64 | 3.578 | 3.695 | 23% |
| | | | 3-38/64 | 3.594 | 3.707 | 23% |
| | | | 3-39/64 | 3.609 | 3.719 | 23% |
| | | F48G-3688 | 3-40/64 | 3.625 | 3.731 | 23% |
| | | | 3-41/64 | 3.641 | 3.743 | 23% |
| | | | 3-42/64 | 3.656 | 3.755 | 23% |
| | | | 3-43/64 | 3.672 | 3.767 | 23% |
| | | F48G-3750 | 3-44/64 | 3.688 | 3.779 | 23% |
| | | | 3-45/64 | 3.703 | 3.791 | 23% |
| | | | 3-46/64 | 3.719 | 3.803 | 23% |
| | | | 3-47/64 | 3.734 | 3.815 | 23% |
| | | F48G-3813 | 3-48/64 | 3.750 | 3.828 | 23% |
| | | | 3-49/64 | 3.766 | 3.840 | 23% |
| | | | 3-50/64 | 3.781 | 3.852 | 23% |
| | | | 3-51/64 | 3.797 | 3.864 | 23% |
| | | F48G-3875 | 3-52/64 | 3.813 | 3.876 | 23% |
| | | | 3-53/64 | 3.828 | 3.888 | 23% |
| | | | 3-54/64 | 3.844 | 3.900 | 23% |
| | | | 3-55/64 | 3.859 | 3.912 | 23% |
| | | F48G-3938 | 3-56/64 | 3.875 | 3.924 | 23% |
| | | | 3-57/64 | 3.891 | 3.936 | 23% |
| | | | 3-58/64 | 3.906 | 3.948 | 23% |
| | | | 3-59/64 | 3.922 | 3.960 | 23% |
| | | F48G-4106 | 4-3/64 | 4.046 | 4.056 | 23% |
| | | | 4-4/64 | 4.062 | 4.069 | 23% |
| | | | 4-5/64 | 4.078 | 4.080 | 23% |
| | | | 4-6/64 | 4.093 | 4.092 | 23% |
| 4" | CSSR400 CBSR400 CILR400 CTER400 | F64G-4688 | 4-40/64 | 4.625 | 4.857 | 23% |
| | | | 4-41/64 | 4.641 | 4.869 | 23% |
| | | | 4-42/64 | 4.656 | 4.881 | 23% |
| | | | 4-43/64 | 4.672 | 4.893 | 23% |
| | | F64G-4750 | 4-44/64 | 4.688 | 4.905 | 23% |
| | | | 4-45/64 | 4.703 | 4.917 | 23% |
| | | | 4-46/64 | 4.719 | 4.929 | 23% |
| | | | 4-47/64 | 4.734 | 4.941 | 23% |
| | | F64G-4813 | 4-48/64 | 4.750 | 4.954 | 23% |
| | | | 4-49/64 | 4.766 | 4.966 | 23% |
| | | | 4-50/64 | 4.781 | 4.978 | 23% |
| | | | 4-51/64 | 4.797 | 4.990 | 23% |
| | | F64G-4875 | 4-52/64 | 4.813 | 5.002 | 23% |
| | | | 4-53/64 | 4.828 | 5.014 | 23% |
| | | | 4-54/64 | 4.844 | 5.026 | 23% |
| | | | 4-55/64 | 4.859 | 5.038 | 23% |
| | | F64G-4938 | 4-56/64 | 4.875 | 5.050 | 23% |
| | | | 4-57/64 | 4.891 | 5.062 | 23% |
| | | | 4-58/64 | 4.906 | 5.074 | 23% |
| | | | 4-59/64 | 4.922 | 5.086 | 23% |
| | | F64G-5141 | 5-5/64 | 5.078 | 5.205 | 23% |
| | | | 5-6/64 | 5.093 | 5.218 | 23% |
| | | | 5-7/64 | 5.109 | 5.230 | 23% |
| | | | 5-8/64 | 5.125 | 5.242 | 23% |

R

Air Fittings

Air Fitting Selection



Product Specifications

Size range:

- Fittings: 1/8" - 1/2"
- Tubing: 1/4" OD - 1/2" OD

Materials:

- Fittings: 303 stainless steel, nylon/nickel-plated brass, nickel-plated brass,
- Tubing: polyethylene

Index

| | | | |
|---------------------------|-----|----------------------|---------|
| Polyethylene Tubing | 165 | Wilkerson FRLs | 166-170 |
| Nylon 12 Tubing..... | 165 | | |

S

Tubing

Polyethylene Tubing

Features:

- designed for FDA applications
- temperature range: **-50°F to 140°F** (working pressure given at 70°F)
- designed for use with the push-in fittings
- flexible, lightweight, low-density polyethylene (LDPE) tubing
- for use with plastic or metal inserts with outer sleeve; ferrule or clamps
- formulated to resist stress cracking

| Size | | Wall Thickness | Working Pressure @ 75°F | Length | Tubing Color | Part Number |
|------|-------|----------------|-------------------------|-----------|--------------|-------------|
| OD | ID | | | | | |
| ¼" | .125" | .062 | 150 | 100' roll | natural | 0804 |
| ¼" | .170" | .040 | 150 | 100' roll | natural | 0817 |
| 3/8" | .250" | .062 | 150 | 100' roll | natural | 1208 |
| 1/2" | .375" | .062 | 125 | 100' roll | natural | 1612 |



| Size | | Wall Thickness | Working Pressure @ 75°F | Length | Tubing Color | Part Number |
|------|-------|----------------|-------------------------|-----------|--------------|------------------|
| OD | ID | | | | | |
| ¼" | .170" | .040 | 150 | 100' roll | blue | 0817BL100 |
| ¼" | .170" | .040 | 150 | 500' roll | blue | 0817BL |
| ¼" | .170" | .040 | 150 | 500' roll | black | 0817BR |
| ¼" | .170" | .040 | 150 | 500' roll | natural | 0817CR |
| 3/8" | .250" | .062 | 150 | 500' roll | black | 1208BR |
| 3/8" | .250" | .062 | 150 | 500' roll | natural | 1208CR |

Nylon 12 Tubing

Features:

- naturally transparent
- temperature range: **-40°F to 180°F** (working pressure given at 75°F)
- designed for use with the push-in fittings
- recommended for applications requiring low density, lightweight toughness, flexibility and chemical resistance
- 100' lengths are packaged in plastic bags.

| Size | | Wall Thickness | Working Pressure @ 75°F | Length | Part # |
|-------|-------|----------------|-------------------------|-----------|--------------|
| OD | ID | | | | |
| ⅛" | .093" | .016 | 225 | 100' roll | 04093 |
| 5/32" | .106" | .025 | 275 | 100' roll | 05106 |
| 3/16" | .138" | .025 | 225 | 100' roll | 06138 |
| ¼" | .170" | .040 | 265 | 100' roll | 08170 |
| ¼" | .180" | .035 | 250 | 100' roll | 08180 |
| 3/8" | .275" | .050 | 220 | 100' roll | 12275 |
| 1/2" | .375" | .062 | 200 | 100' roll | 16375 |

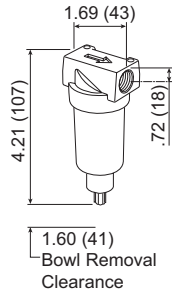


S

Wilkerson Miniature Filters



transparent bowl

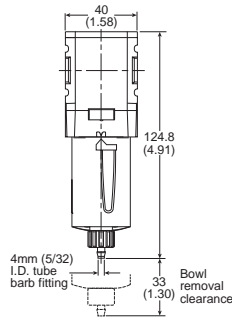
**Features:**

- excellent water removal efficiency
- 5 micron element
- .5 oz. bowl
- maximum operating conditions:
transparent bowl: **150 PSIG** (10 bar) and **32°F to 125°F** (0°C to 52°C)
metal bowl: **250 PSIG** (17 bar) and **32°F to 175°F** (0°C to 80°C)

| Size | SCFM | With Transparent Bowl | | With Metal Bowl | |
|------|------|---------------------------|------------------------|---------------------------|------------------------|
| | | Automatic Drain Part # | Manual Drain Part # | Automatic Drain Part # | Manual Drain Part # |
| 1/8" | 22 | F03-01A | F03-01M | F03-01AMB | F03-01MMB |
| 1/4" | 24 | F03-02A | F03-02M | F03-02AMB | F03-02MMB |



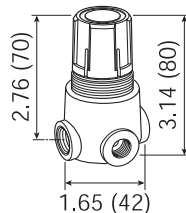
transparent bowl with guard

**Features:**

- 5 micron element
- .4 oz. bowl
- maximum operating conditions:
transparent bowl: **150 PSIG** (10 bar) and **32°F to 125°F** (0°C to 52°C)
metal bowl: **250 PSIG** (17 bar) and **32°F to 150°F** (0°C to 65.5°C)

| Size | SCFM | With Transparent Bowl and Guard | | With Metal Bowl | |
|------|------|---------------------------------|------------------------|---------------------------|------------------------|
| | | Automatic Drain Part # | Manual Drain Part # | Automatic Drain Part # | Manual Drain Part # |
| 1/4" | 50 | F08-02A | F08-02M | F08-02AMB | F08-02MMB |

Wilkerson Miniature Regulators

**Features:**

- 2-125 PSI adjusting range
- balanced valve design
- self-relieving standard
- non-rising push/pull locking adjustment knob
- two 1/8" NPT gauge ports standard on models without gauge, one 1/8" NPT gauge port standard on models with gauge - can be used for additional outlet ports.
- models supplied without gauge use a GC620 gauge.
- panel mount nuts sold separately
- maximum operating conditions:
300 PSIG (20.17 bar) and **32°F to 125°F** (0°C to 52°C)

| Size | SCFM | With Gauge | Without Gauge |
|------|------|-----------------|----------------|
| | | Part # | Part # |
| 1/8" | 13 | R03-01RG | R03-01R |
| 1/4" | 15 | R03-02RG | R03-02R |

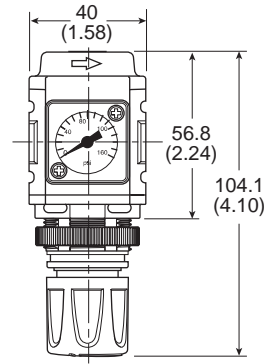


FRL's are designed for air service only, unless otherwise indicated.

Wilkerson Miniature Regulators

Features:

- 0-125 PSI adjusting range
- balanced valve design
- self-relieving standard
- non-rising push/pull locking adjustment knob
- two 1/8" NPT gauge ports standard on models without gauge, one 1/8" NPT gauge port standard on models with gauge - can be used for additional outlet ports.
- models with gauge are supplied with a 0-160 flush mount style gauge
- models supplied without gauge use a GC620 gauge.
- panel mount nuts sold separately
- maximum operating conditions:
300 PSIG (20.7 bar) and **32°F to 150°F** (0°C to 65.5°C)

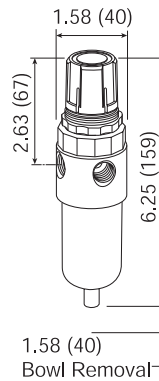


| Size | SCFM | With Gauge Part # | Without Gauge Part # |
|------|------|----------------------|-------------------------|
| 1/4" | 44 | R08-02RG | R08-02R |

Wilkerson Miniature Filter / Regulators

Features:

- 2-125 PSI adjusting range
- 5 micron element
- .5 oz. bowl
- self-relieving
- supplied with a GC620 gauge
- maximum operating conditions:
transparent bowl: **125 PSIG** (8.6 bar) and **40°F to 125°F** (4.4°C to 52°C)
metal bowl: **300 PSIG** (20.7 bar) and **40°F to 125°F** (4.4°C to 52°C)



transparent bowl

| Size | SCFM | With Transparent Bowl and Guard | | With Metal Bowl | |
|------|------|---------------------------------|------------------------|---------------------------|------------------------|
| | | Automatic Drain Part # | Manual Drain Part # | Automatic Drain Part # | Manual Drain Part # |
| 1/8" | 13 | BB3-01AG | BB3-01MG | BB3-01AGMB | BB3-01MGMB |
| 1/4" | 16 | BB3-02AG | BB3-02MG | BB3-02AGMB | BB3-02MGMB |



FRL's are designed for air service only, unless otherwise indicated.

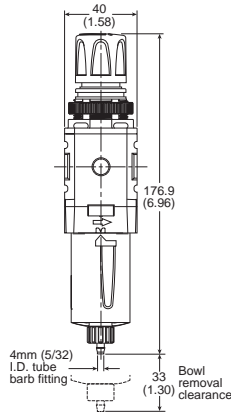
SCFM ratings at 150 PSIG inlet pressure.

S

Wilkerson Miniature Filter / Regulators



transparent bowl with guard



Features:

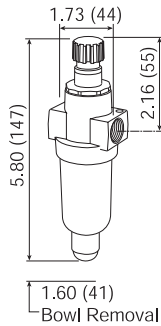
- 0-125 PSI adjusting range
- 5 micron element
- .4 oz. bowl
- self-relieving
- supplied with a 0-160 PSI flush mount style gauge
- maximum operating conditions:
 - transparent bowl: **150 PSIG** (10.3 bar) and **32°F to 125°F** (0°C to 52°C)
 - metal bowl: **250 PSIG** (17.2 bar) and **32°F to 150°F** (0°C to 65.5°C)

| Size | SCFM | With Transparent Bowl and Guard | | With Metal Bowl | |
|------|------|---------------------------------|---------------------|------------------------|---------------------|
| | | Automatic Drain Part # | Manual Drain Part # | Automatic Drain Part # | Manual Drain Part # |
| 1/4" | 42.1 | B08-02AG | B08-02MG | B08-02AGMB | B08-02MGMB |

Wilkerson Miniature Lubricators



transparent bowl



Features:

- 1 oz. bowl
- adjustable oil feed
- full view sight dome
- **Do not fill under pressure. Air supply must be turned off and pressure bled from unit prior to adding oil.**
- maximum operating conditions:
 - transparent bowl: **150 PSIG** (10.3 bar) and **32°F to 125°F** (0°C to 52°C)
 - metal bowl: **250 PSIG** (17.2 bar) and **32°F to 175°F** (0°C to 80°C)

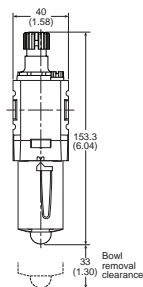


| Size | SCFM | With Transparent Bowl | With Metal Bowl |
|------|------|-----------------------|------------------|
| | | Part # | Part # |
| 1/8" | 20 | L03-01A | L03-01AMB |
| 1/4" | 20 | L03-02A | L03-02AMB |

S



transparent bowl with guard



Features:

- .6 oz. bowl
- adjustable oil feed
- full view sight dome
- fill under pressure design
- maximum operating conditions:
 - transparent bowl: **150 PSIG** (10.3 bar) and **32°F to 125°F** (0°C to 52°C)
 - metal bowl: **250 PSIG** (17.2 bar) and **32°F to 150°F** (0°C to 65.5°C)

| Size | SCFM | With Transparent Bowl | With Metal Bowl |
|------|------|-----------------------|------------------|
| | | Part # | Part # |
| 1/4" | 57.5 | L08-02A | L08-02AMB |



FRL's are designed for air service only, unless otherwise indicated.

Wilkerson Miniature Combination Units (Filter, Regulator, Lubricator)

Features:

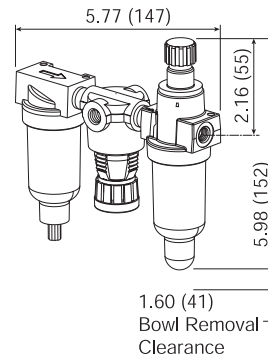
- maximum operating conditions:
transparent bowl: **150 PSIG** (10.3 bar) and **32°F to 125°F** (0°C to 52°C)
metal bowl: **250 PSIG** (17.2 bar) and **32°F to 175°F** (0°C to 80°C)

Filter series F03:

- 5 micron element
 - .5 oz. bowl
- Regulator series R03:**
- 2-125 PSI adjusting range
 - balanced valve design
 - self-relieving
 - supplied with a GC620 gauge
 - Regulator can be mounted with knob in up or down position.

Lubricator series L03:

- 1 oz. bowl
 - adjustable oil feed
 - full view sight dome
- Included components:**
- (2) adapters



transparent bowl

| Size | SCFM | With Transparent Bowl and Guard | | With Metal Bowl | |
|------|------|---------------------------------|------------------------|---------------------------|------------------------|
| | | Automatic Drain Part # | Manual Drain Part # | Automatic Drain Part # | Manual Drain Part # |
| 1/8" | 20 | C03-01A | C03-01M | C03-01AMB | C03-01MMB |
| 1/4" | 20 | C03-02A | C03-02M | C03-02AMB | C03-02MMB |

Features:

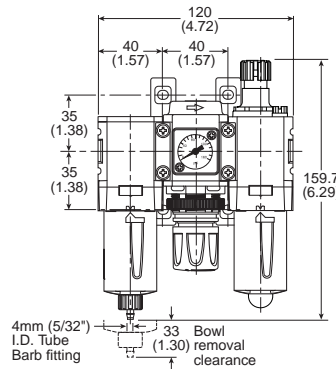
- maximum operating conditions:
- transparent bowl: **150 PSIG** (10.3 bar) and **32°F to 125°F** (0°C to 52°C)
- metal bowl: **250 PSIG** (17.2 bar) and **32°F to 150°F** (0°C to 65.5°C)
- Included components: (2) mounting brackets with joiner set

Filter series F08:

- 5 micron element
 - .4 oz. bowl
- Regulator series R08:**
- 0-125 PSI adjusting range
 - balanced valve design
 - self-relieving
 - supplied with a 0-160 PSI flush mount style gauge

Lubricator series L08:

- .6 oz. bowl
- adjustable oil feed
- full view sight dome



transparent bowl with guard

| Size | SCFM | With Transparent Bowl and Guard | | With Metal Bowl | |
|------|------|---------------------------------|------------------------|---------------------------|------------------------|
| | | Automatic Drain Part # | Manual Drain Part # | Automatic Drain Part # | Manual Drain Part # |
| 1/4" | 44 | C08-02A | C08-02M | C08-02AMB | C08-02MMB |



FRL's are designed for air service only, unless otherwise indicated.

SCFM ratings at 150 PSIG inlet pressure.

GOODYEAR
GOODYEARBELTING.COM

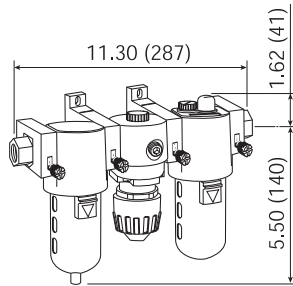
Call Toll Free: 1-866-711-4673
International: +1-727-342-5086

**We Ship
World Wide**

Wilkerson Compact Combination Units



with metal bowl



Features:

- maximum operating conditions:
transparent bowl: **150 PSIG** (10.3 bar) and **32°F to 125°F** (0°C to 52°C)
metal bowl: **200 PSIG** (13.8 bar) and **32°F to 175°F** (0°C to 80°C)

Filter series F16:

- 5 micron element
 - 5 oz. bowl
- ### Regulator series R16:
- 0-125 PSI adjusting range
 - self-relieving
 - supplied with a GC230 gauge

Lubricator series L16:

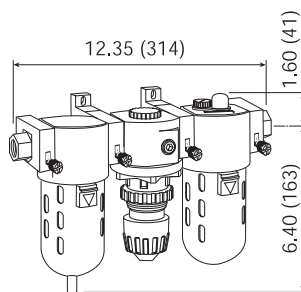
- 5 oz. bowl
 - adjustable oil feed
 - full view sight dome
- ### Included components:
- (2) modular sleeves
 - (2) mounting brackets (sleeve and bracket)
 - (2) end blocks

| Size | SCFM | With Transparent Bowl and Guard | | Metal Bowl with Sight Glass | |
|------|------|---------------------------------|---------------------|-----------------------------|---------------------|
| | | Automatic Drain Part # | Manual Drain Part # | Automatic Drain Part # | Manual Drain Part # |
| 1/4" | 36.1 | C16-02A | C16-02M | C16-02AMB | C16-02MMB |
| 3/8" | 58.5 | C16-03A | C16-03M | C16-03AMB | C16-03MMB |
| 1/2" | 64.0 | C16-04A | C16-04M | C16-04AMB | C16-04MMB |

Wilkerson Standard Combination Units



with metal bowl



Features:

- maximum operating conditions:
transparent bowl: **150 PSIG** (10.3 bar) and **32°F to 125°F** (0°C to 52°C)
metal bowl: **200 PSIG** (13.8 bar) and **32°F to 175°F** (0°C to 80°C)

Filter series F26:

- 5 micron element
 - 10 oz. bowl
- ### Regulator series R26:
- 0-125 PSI adjusting range
 - self-relieving
 - supplied with a GC230 gauge

Lubricator series L26:

- 10 oz. bowl
 - adjustable oil feed
 - full view sight dome
- ### Included components:
- (2) modular sleeves
 - (2) mounting brackets (sleeve and bracket)
 - (2) end blocks

| Size | SCFM | With Transparent Bowl and Guard | | With Metal Bowl | |
|------|------|---------------------------------|---------------------|------------------------|---------------------|
| | | Automatic Drain Part # | Manual Drain Part # | Automatic Drain Part # | Manual Drain Part # |
| 1/4" | 35 | C26-02A | C26-02M | C26-02AMB | C26-02MMB |
| 3/8" | 60 | C26-03A | C26-03M | C26-03AMB | C26-03MMB |
| 1/2" | 128 | C26-04A | C26-04M | C26-04AMB | C26-04MMB |



FRL's are designed for air service only, unless otherwise indicated.

SCFM ratings at 150 PSIG inlet pressure.

S

GOODYEAR
GOODYEARBELTING.COM

Call Toll Free: 1-866-711-4673
International: +1-727-342-5086

We Ship
World Wide

Dixon Sanitary Ball Valves

Product Specifications

Size range:

- ½" - 4" OD tube
- ¼" - 4" nominal pipe

Materials:

- CF8M stainless steel
- brass

Ball Valve Selection



Index

| | | | |
|--|---------|--|---------|
| Technical Information..... | 172 | Full Port Stainless Steel | 182 |
| 3-piece Encapsulated Sanitary..... | 173-174 | 3-piece Industrial Stainless Steel | 183 |
| 3-way and 4-way Multiport Sanitary | 175-177 | 3-way Industrial Stainless Steel..... | 184 |
| 3-piece Non-Encapsulated Sanitary | 178 | 2-piece Industrial Brass..... | 185 |
| Industrial Stainless Steel Wafer..... | 179-180 | 3-way Industrial Brass | 186 |
| 2-piece Industrial Stainless Steel | 181 | Private Label Handle Covers..... | 187 |
| | | Automation | 188-200 |

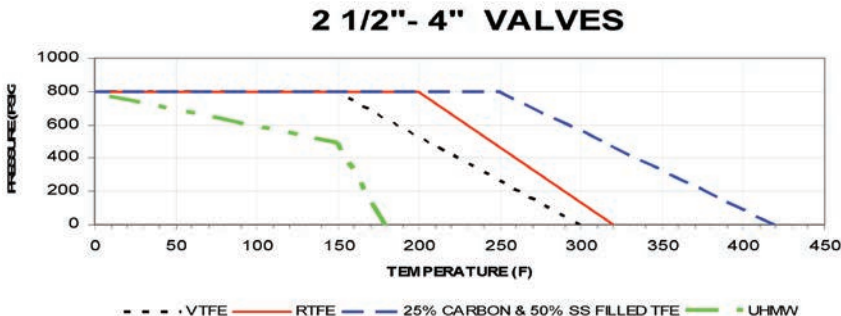
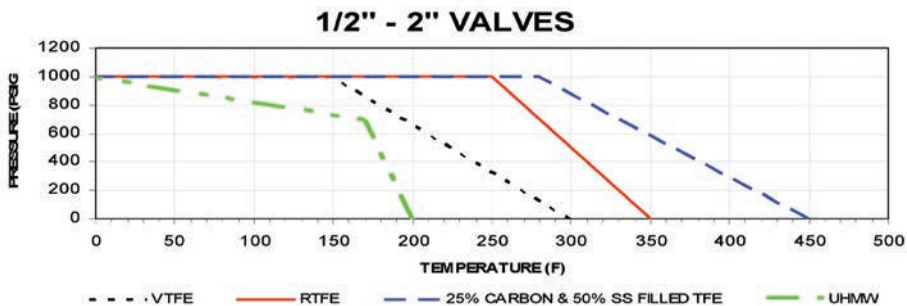
T

Technical Information

Seal Materials

| Code | Designation | Material | Applications |
|------|----------------------|--|---|
| V | Virgin PTFE | Virgin polytetrafluoroethylene | 100% PTFE- Our standard seat material. Ideal for most sanitary services. Specified for applications requiring a low co-efficient of friction. Food Grade Material |
| G | RTFE | 15% glass reinforced tetrafluoroethylene | 15% glass filled + 85% PTFE - Slightly higher temperature and pressure rating than PTFE. Specified for applications requiring higher cycle life than PTFE. Food Grade Material |
| C | 25% Carbon PTFE | 25% carbon reinforced tetrafluoroethylene | 25% carbon +75% PTFE - Specified for higher temperature pressure applications. Ideal for steam and thermal fluid applications. Higher cycle life than RTFE. |
| S | Stainless Steel PTFE | 50% stainless steel filled tetrafluoroethylene | 50% stainless steel + 50% PTFE - Specified for higher temperature pressure applications in a sanitary process. Food Grade Material |
| U | UHMW | Ultra-high molecular weight polyethylene | Specified for its low modulus of abrasion and minimal property degradation when exposed to moderate levels of radiation. Ideal for applications where fluorocarbons are not acceptable. Food Grade Material |

Pressure Temperature Charts

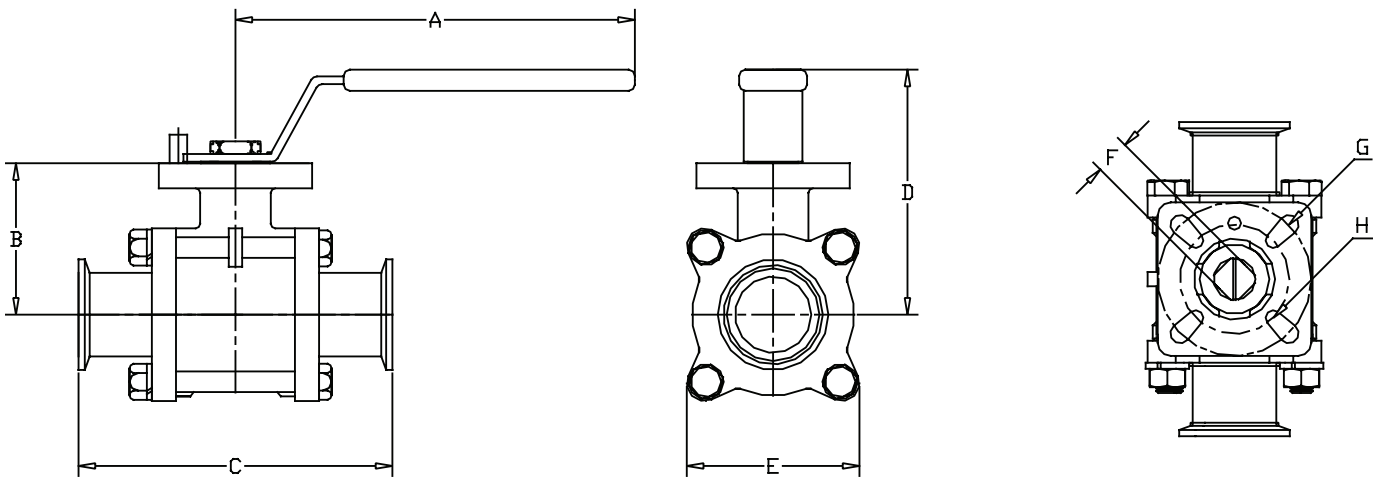


T

2-Way Encapsulated Sanitary 3 Piece Stainless Steel Ball Valves

Features:

- ½" - 2" rated at **1,000 PSI WOG**; 2½" - 4" rated at **800 PSI WOG**
- balanced encapsulated construction minimizes cold flow
- live-loaded stem packing
- precision stainless steel balls reduce torque and friction losses while extending seat life
- integral ISO 5211 mounting pad
- ID polish is R_a 32 minimum
- lockable handle can prevent accidental actuation
- standard internal entry blow out proof stem design
- full port design matches ball and seat ports to tube ID for lower pressure drop and less turbulent flow
- compact design for areas with tight space restrictions
- fully encapsulated construction produces bubble tight seal
- identification tagging available



| Size | A | B | C | D | E | F (mm) | G | H |
|------|------|-----|-----|-----|-----|--------|-----|-----|
| ½" | 4.9 | 1.5 | 4.3 | 3.0 | 1.9 | 9 | F04 | F03 |
| ¾" | 4.9 | 1.8 | 4.7 | 3.3 | 2.2 | 9 | F04 | F03 |
| 1" | 5.6 | 2.1 | 4.9 | 3.6 | 2.4 | 11 | F05 | F04 |
| 1½" | 9.5 | 2.7 | 5.6 | 4.4 | 3.1 | 14 | F07 | F05 |
| 2" | 9.5 | 3.1 | 6.4 | 4.8 | 3.7 | 14 | F07 | F05 |
| 2½" | 18.0 | 3.8 | 7.8 | 5.2 | 4.8 | 17 | F10 | F07 |
| 3" | 18.0 | 4.2 | 9 | 5.7 | 5.4 | 17 | F10 | F07 |
| 4" | 18.0 | 5.3 | 9.5 | 6.8 | 8.8 | 22 | F12 | F10 |

Dimensions are approximate. Engineering dimensions are available upon request.
Specifications are subject to change without notice.

Handle Kits

| Size | Part Number |
|----------|------------------------|
| ½" - ¾" | BV-23-HA050-075 |
| 1" | BV-23-HA100 |
| 1½" - 2" | BV-23-HA150-200 |
| 2½" | BV-23-HA250 |
| 3" - 4" | BV-23-HA300-400 |

kit contains:
(1) lock washer
(1) handle
(1) nut

Repair Kits

kit contains:
(1) O-ring
(1) thrust washer
(3) stem packings
(2) encapsulated seats
(2) body seals

T

2-Way Encapsulated Sanitary 3 Piece Stainless Steel Ball Valves

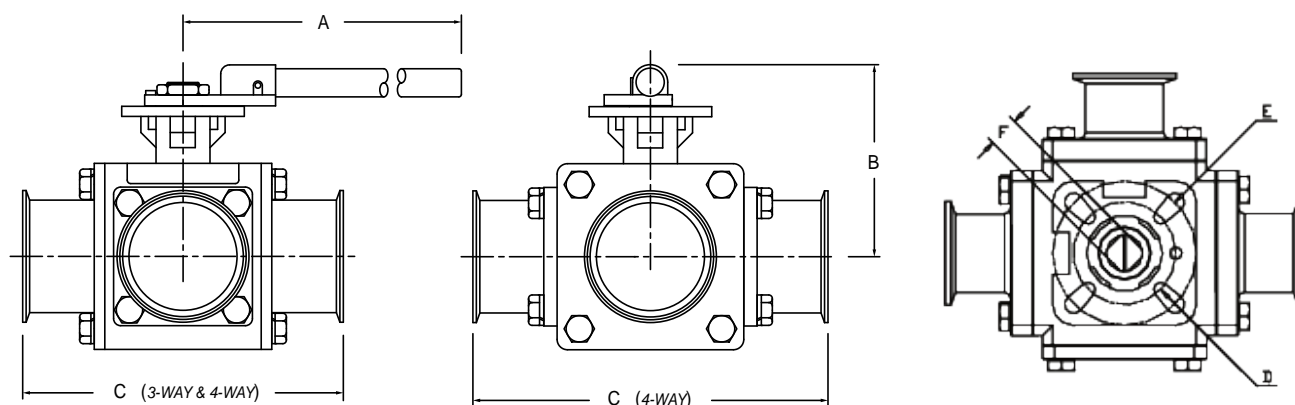
| Size | Ball Valve Part # | Repair Kit Part # | Break Torque (in-lb) | Code ID | Seat material |
|--------|----------------------|--------------------|----------------------|---------|-------------------------------------|
| 1/2" | BV2CV-050CC-A | BV-2C-VK050 | 31 | V | Virgin PTFE |
| 3/4" | BV2CV-075CC-A | BV-2C-VK075 | 47 | | |
| 1" | BV2CV-100CC-A | BV-2C-VK100 | 105 | | |
| 1 1/2" | BV2CV-150CC-A | BV-2C-VK150 | 238 | | |
| 2" | BV2CV-200CC-A | BV-2C-VK200 | 256 | | |
| 2 1/2" | BV2CV-250CC-A | BV-2C-VK250 | 900 | | |
| 3" | BV2CV-300CC-A | BV-2C-VK300 | 1650 | | |
| 4" | BV2CV-400CC-A | BV-2C-VK400 | 2027 | | |
| 1/2" | BV2CG-050CC-A | BV-2C-GK050 | 34 | G | 15% glass reinforced RTFE |
| 3/4" | BV2CG-075CC-A | BV-2C-GK075 | 51 | | |
| 1" | BV2CG-100CC-A | BV-2C-GK100 | 116 | | |
| 1 1/2" | BV2CG-150CC-A | BV-2C-GK150 | 261 | | |
| 2" | BV2CG-200CC-A | BV-2C-GK200 | 281 | | |
| 2 1/2" | BV2CG-250CC-A | BV-2C-GK250 | 990 | | |
| 3" | BV2CG-300CC-A | BV-2C-GK300 | 1815 | | |
| 4" | BV2CG-400CC-A | BV-2C-GK400 | 2229 | | |
| 1/2" | BV2CC-050CC-A | BV-2C-CK050 | 37 | C | 25% carbon reinforced PTFE |
| 3/4" | BV2CC-075CC-A | BV-2C-CK075 | 57 | | |
| 1" | BV2CC-100CC-A | BV-2C-CK100 | 127 | | |
| 1 1/2" | BV2CC-150CC-A | BV-2C-CK150 | 287 | | |
| 2" | BV2CC-200CC-A | BV-2C-CK200 | 309 | | |
| 2 1/2" | BV2CC-250CC-A | BV-2C-CK250 | 1089 | | |
| 3" | BV2CC-300CC-A | BV-2C-CK300 | 1997 | | |
| 4" | BV2CC-400CC-A | BV-2C-CK400 | 2452 | | |
| 1/2" | BV2CS-050CC-A | BV-2C-SK050 | 41 | S | 50% stainless steel reinforced PTFE |
| 3/4" | BV2CS-075CC-A | BV-2C-SK075 | 62 | | |
| 1" | BV2CS-100CC-A | BV-2C-SK100 | 140 | | |
| 1 1/2" | BV2CS-150CC-A | BV-2C-SK150 | 316 | | |
| 2" | BV2CS-200CC-A | BV-2C-SK200 | 340 | | |
| 2 1/2" | BV2CS-250CC-A | BV-2C-SK250 | 1198 | | |
| 3" | BV2CS-300CC-A | BV-2C-SK300 | 2196 | | |
| 4" | BV2CS-400CC-A | BV-2C-SK400 | 2698 | | |
| 1/2" | BV2CU-050CC-A | BV-2C-UK050 | 31 | U | UHMW |
| 3/4" | BV2CU-075CC-A | BV-2C-UK075 | 47 | | |
| 1" | BV2CU-100CC-A | BV-2C-UK100 | 105 | | |
| 1 1/2" | BV2CU-150CC-A | BV-2C-UK150 | 238 | | |
| 2" | BV2CU-200CC-A | BV-2C-UK200 | 256 | | |
| 2 1/2" | BV2CU-250CC-A | BV-2C-UK250 | 900 | | |
| 3" | BV2CU-300CC-A | BV-2C-UK300 | 1650 | | |
| 4" | BV2CU-400CC-A | BV-2C-UK400 | 2027 | | |

T

Multi-port Sanitary Stainless Steel Ball Valves

Features:

- full port design on ½" thru 3"
- reduced port design on 4"
- blow-out proof stem
- live-loaded stem packing
- CF8M stainless body, ends and ball
- ISO 5211 mounting pad
- lock-out, tag out
- rated to ½" - 2" **1,000 PSI WOG**
2½" - 4" **800 PSI WOG**



| Size | A | B | C | D | E | F | Weight (lbs.) |
|------|------|-----|------|-----|-----|----|---------------|
| ½" | 4.9 | 3.2 | 4.6 | F03 | F04 | 9 | 3.6 |
| ¾" | 4.9 | 4.3 | 5.1 | F03 | F04 | 9 | 4.3 |
| 1" | 5.6 | 3.8 | 6.0 | F04 | F05 | 11 | 6.8 |
| 1½" | 9.5 | 4.5 | 6.9 | F05 | F07 | 14 | 12.6 |
| 2" | 9.5 | 5.0 | 7.5 | F05 | F07 | 14 | 21.6 |
| 2½" | 18.0 | 5.3 | 8.4 | F07 | F10 | 17 | 33.7 |
| 3" | 18.0 | 6.4 | 9.6 | F10 | F12 | 22 | 56.4 |
| 4" | 18.0 | 6.8 | 11.5 | F10 | F12 | 22 | 85.4 |

All dimensions are in inches unless otherwise noted. Engineering dimensions are available upon request. Specifications are subject to change without notice.

Handle Kits

| Size | Part Number |
|----------|------------------------|
| ½" - ¾" | BV-23-HA050-075 |
| 1" | BV-23-HA100 |
| 1½" - 2" | BV-23-HA150-200 |
| 2½" | BV-23-HA250 |
| 3" - 4" | BV-23-HA300-400 |

- Kit contains:
- (1) lock washer
 - (1) handle
 - (1) nut

Repair Kits

- Kit contains:
- (2) encapsulated seat small
 - (2) encapsulated seat large
 - (2) body seals
 - (1) thrust washer
 - (1) O-ring
 - (3) stem packings
 - (1) plug (3-way only)

• private label handle covers available, see page 187

• see page 176 for part numbers

3-way Multi-port Sanitary Stainless Steel Ball Valves

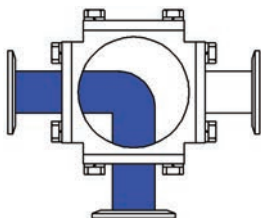
| Size | "L" port Ball Valve Part # | "T" port Ball Valve Part # | Repair Kit Part # | "L" Port Break Torque (in-lb) | "T" Port Break Torque (in-lb) | Code ID | Seat material |
|------|-------------------------------|-------------------------------|---------------------|--|--|------------|---|
| ½" | <i>BV3SVLF050C-A</i> | <i>BV3SVTF050C-A</i> | <i>BV-3SVFRK050</i> | 65 | 44 | V | Virgin PTFE |
| ¾" | <i>BV3SVLF075C-A</i> | <i>BV3SVTF075C-A</i> | <i>BV-3SVFRK075</i> | 76 | 76 | | |
| 1" | <i>BV3SVLF100C-A</i> | <i>BV3SVTF100C-A</i> | <i>BV-3SVFRK100</i> | 171 | 171 | | |
| 1½" | <i>BV3SVLF150C-A</i> | <i>BV3SVTF150C-A</i> | <i>BV-3SVFRK150</i> | 356 | 297 | | |
| 2" | <i>BV3SVLF200C-A</i> | <i>BV3SVTF200C-A</i> | <i>BV-3SVFRK200</i> | 553 | 553 | | |
| 2½" | <i>BV3SVLF250C-A</i> | <i>BV3SVTF250C-A</i> | <i>BV-3SVFRK250</i> | 1114 | 1114 | | |
| 3" | <i>BV3SVLF300C-A</i> | <i>BV3SVTF300C-A</i> | <i>BV-3SVFRK300</i> | 1875 | 1400 | | |
| 4" | <i>BV3SVLR400C-A</i> | <i>BV3SVTR400C-A</i> | <i>BV-3SVRRK400</i> | 2241 | 2050 | | |
| ½" | <i>BV3SGLF050C-A</i> | <i>BV3SGTF050C-A</i> | <i>BV-3SGRK050</i> | 71 | 48 | G | 15% glass reinforced RTFE |
| ¾" | <i>BV3SGLF075C-A</i> | <i>BV3SGTF075C-A</i> | <i>BV-3SGRK075</i> | 83 | 84 | | |
| 1" | <i>BV3SGLF100C-A</i> | <i>BV3SGTF100C-A</i> | <i>BV-3SGRK100</i> | 188 | 188 | | |
| 1½" | <i>BV3SGLF150C-A</i> | <i>BV3SGTF150C-A</i> | <i>BV-3SGRK150</i> | 392 | 327 | | |
| 2" | <i>BV3SGLF200C-A</i> | <i>BV3SGTF200C-A</i> | <i>BV-3SGRK200</i> | 608 | 608 | | |
| 2½" | <i>BV3SGLF250C-A</i> | <i>BV3SGTF250C-A</i> | <i>BV-3SGRK250</i> | 1226 | 1225 | | |
| 3" | <i>BV3SGLF300C-A</i> | <i>BV3SGTF300C-A</i> | <i>BV-3SGRK300</i> | 2063 | 1540 | | |
| 4" | <i>BV3SGLR400C-A</i> | <i>BV3SGTR400C-A</i> | <i>BV-3SGRK400</i> | 2465 | 2255 | | |
| ½" | <i>BV3SCLF050C-A</i> | <i>BV3SCTF050C-A</i> | <i>BV-3SCRK050</i> | 78 | 53 | C | 25% carbon reinforced PTFE |
| ¾" | <i>BV3SCLF075C-A</i> | <i>BV3SCTF075C-A</i> | <i>BV-3SCRK075</i> | 91 | 92 | | |
| 1" | <i>BV3SCLF100C-A</i> | <i>BV3SCTF100C-A</i> | <i>BV-3SCRK100</i> | 207 | 207 | | |
| 1½" | <i>BV3SCLF150C-A</i> | <i>BV3SCTF150C-A</i> | <i>BV-3SCRK150</i> | 431 | 359 | | |
| 2" | <i>BV3SCLF200C-A</i> | <i>BV3SCTF200C-A</i> | <i>BV-3SCRK200</i> | 669 | 669 | | |
| 2½" | <i>BV3SCLF250C-A</i> | <i>BV3SCTF250C-A</i> | <i>BV-3SCRK250</i> | 1348 | 1348 | | |
| 3" | <i>BV3SCLF300C-A</i> | <i>BV3SCTF300C-A</i> | <i>BV-3SCRK300</i> | 2269 | 1694 | | |
| 4" | <i>BV3SCLR400C-A</i> | <i>BV3SCTR400C-A</i> | <i>BV-3SCRK400</i> | 2712 | 2481 | | |
| ½" | <i>BV3SSLF050C-A</i> | <i>BV3SSTF050C-A</i> | <i>BV-3SSRK050</i> | 86 | 59 | S | 50% stainless steel reinforced PTFE |
| ¾" | <i>BV3SSLF075C-A</i> | <i>BV3SSTF075C-A</i> | <i>BV-3SSRK075</i> | 101 | 101 | | |
| 1" | <i>BV3SSLF100C-A</i> | <i>BV3SSTF100C-A</i> | <i>BV-3SSRK100</i> | 228 | 228 | | |
| 1½" | <i>BV3SSLF150C-A</i> | <i>BV3SSTF150C-A</i> | <i>BV-3SSRK150</i> | 474 | 395 | | |
| 2" | <i>BV3SSLF200C-A</i> | <i>BV3SSTF200C-A</i> | <i>BV-3SSRK200</i> | 736 | 736 | | |
| 2½" | <i>BV3SSLF250C-A</i> | <i>BV3SSTF250C-A</i> | <i>BV-3SSRK250</i> | 1483 | 1483 | | |
| 3" | <i>BV3SSLF300C-A</i> | <i>BV3SSTF300C-A</i> | <i>BV-3SSRK300</i> | 2496 | 1863 | | |
| 4" | <i>BV3SSLR400C-A</i> | <i>BV3SSTR400C-A</i> | <i>BV-3SSRK400</i> | 2983 | 2729 | | |
| ½" | <i>BV3SULF050C-A</i> | <i>BV3SUTF050C-A</i> | <i>BV-3SURK050</i> | 65 | 44 | U | UHMW |
| ¾" | <i>BV3SULF075C-A</i> | <i>BV3SUTF075C-A</i> | <i>BV-3SURK075</i> | 76 | 76 | | |
| 1" | <i>BV3SULF100C-A</i> | <i>BV3SUTF100C-A</i> | <i>BV-3SURK100</i> | 171 | 171 | | |
| 1½" | <i>BV3SULF150C-A</i> | <i>BV3SUTF150C-A</i> | <i>BV-3SURK150</i> | 356 | 297 | | |
| 2" | <i>BV3SULF200C-A</i> | <i>BV3SUTF200C-A</i> | <i>BV-3SURK200</i> | 553 | 553 | | |
| 2½" | <i>BV3SULF250C-A</i> | <i>BV3SUTF250C-A</i> | <i>BV-3SURK250</i> | 1114 | 1114 | | |
| 3" | <i>BV3SULF300C-A</i> | <i>BV3SUTF300C-A</i> | <i>BV-3SURK300</i> | 1875 | 1400 | | |
| 4" | <i>BV3SULR400C-A</i> | <i>BV3SUTR400C-A</i> | <i>BV-3SURK400</i> | 2241 | 2050 | | |

T

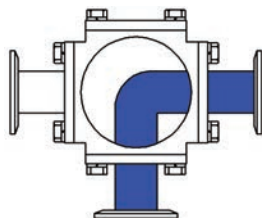
Multi-port Sanitary Stainless Steel Ball Valves

Flow Options

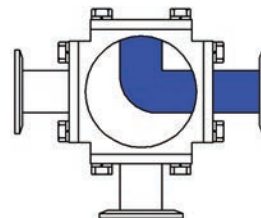
3-way 'L'-port
position A



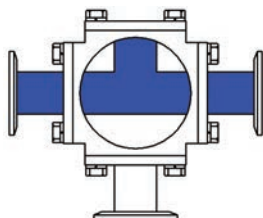
3-way 'L'-port
position B



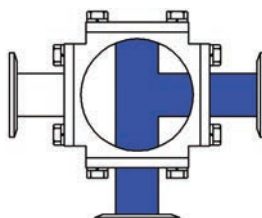
3-way 'L'-port
position C



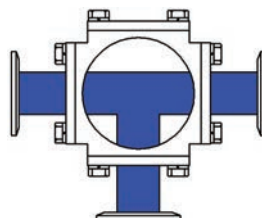
3-way 'T'-port
position A



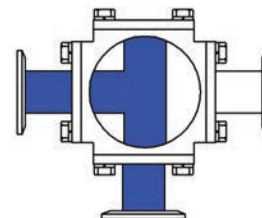
3-way 'T'-port
position B



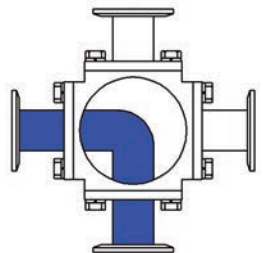
3-way 'T'-port
position C



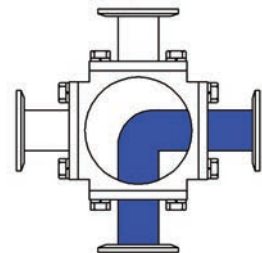
3-way 'T'-port
position D



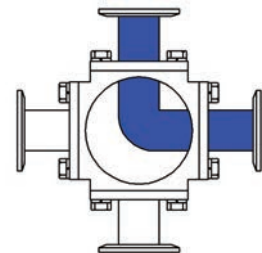
4-way 'L'-port
position A



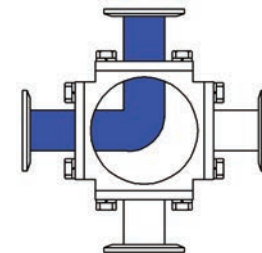
4-way 'L'-port
position B



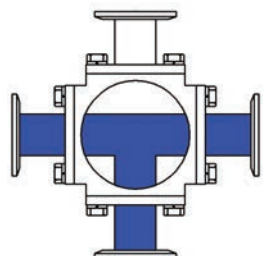
4-way 'L'-port
position C



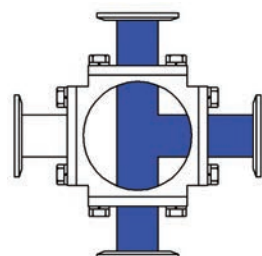
4-way 'L'-port
position D



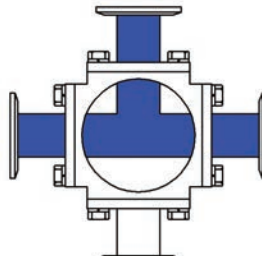
4-way 'T'-port
position A



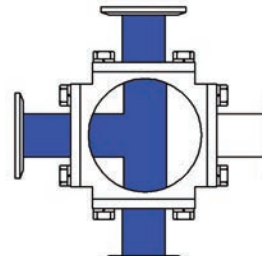
4-way 'T'-port
position B



4-way 'T'-port
position C



4-way 'T'-port
position D

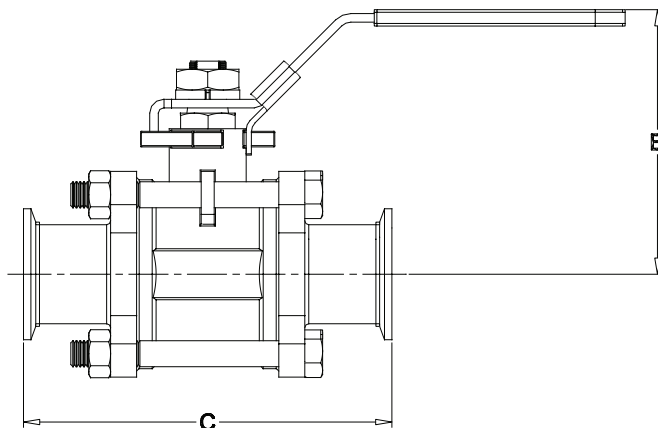
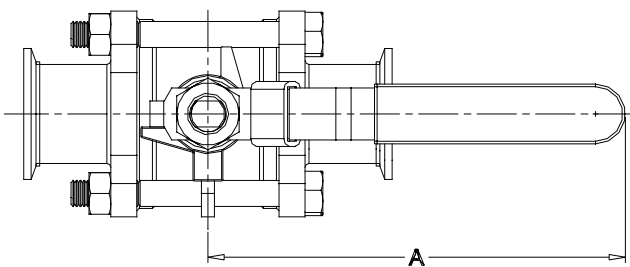


T

Non-Encapsulated 2-way 3 Piece Stainless Steel Ball Valves

Features:

- blow-out proof stem
- live-loaded stem packing
- 15% glass reinforced PTFE seats
- CF8M stainless body, ends and ball
- ID polish is R_a 32
- lockable handle
- rated to ½" - 2" **1,000 PSI WOG**
2½" - 4" **800 PSI WOG**
- maximum temperature: **300°F**



| Size | A | B | C | Break Torque (in-lbs.) | Weight (lbs.) | 316 Stainless Steel Part Number |
|------|------|-----|-----|------------------------|---------------|---------------------------------|
| ½" | 4.1 | 2.3 | 4.6 | 55 | 1.4 | BV2GG-050CC-A |
| ¾" | 4.1 | 2.5 | 4.7 | 71 | 1.8 | BV2GG-075CC-A |
| 1" | 5.0 | 2.8 | 4.9 | 101 | 2.6 | BV2GG-100CC-A |
| 1½" | 6.1 | 3.5 | 5.6 | 221 | 4.6 | BV2GG-150CC-A |
| 2" | 7.6 | 3.9 | 6.4 | 345 | 8.5 | BV2GG-200CC-A |
| 2½" | 7.6 | 4.4 | 7.8 | 883 | 17.8 | BV2GG-250CC-A |
| 3" | 10.9 | 4.9 | 9.0 | 830 | 28.2 | BV2GG-300CC-A |
| 4" | 13.2 | 6.6 | 9.6 | 1323 | 41.4 | BV2GG-400CC-A |

All dimensions are in inches unless otherwise noted. Engineering dimensions are available upon request. Specifications are subject to change without notice.

Repair Kits

T

Repair kit contains:

- (2) RTFE seats
- (2) RTFE gaskets
- (1) RTFE thrust washer
- (3) RTFE stem packing

- private label handle covers available, see page 187

| Size | Part Number |
|------|--------------------|
| ½" | BV-2G-GK050 |
| ¾" | BV-2G-GK075 |
| 1" | BV-2G-GK100 |
| 1½" | BV-2G-GK150 |
| 2" | BV-2G-GK200 |
| 2½" | BV-2G-GK250 |
| 3" | BV-2G-GK300 |
| 4" | BV-2G-GK400 |

Industrial Stainless Steel Wafer Ball Valve

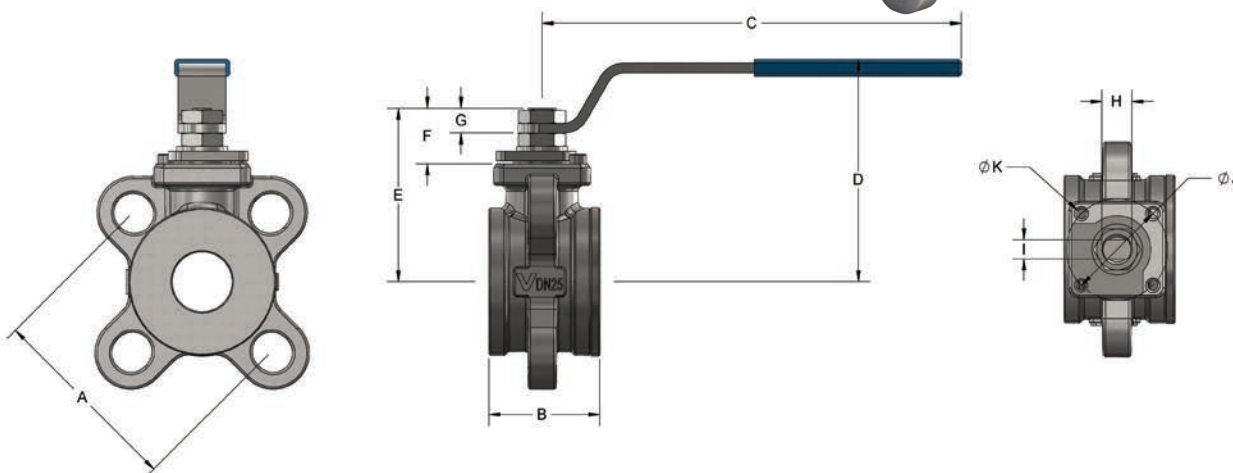
NEW

Features:

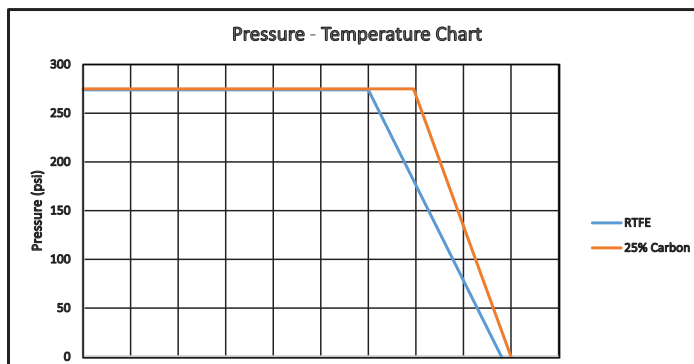
- ANSI Class 150 wafer style ball valve
- full port, sizes 1" to 4"
- blow out proof stem
- ideal option to high performance butterflies
- space saving design
- antistatic stem design
- locking plate included

Materials:

- body – CF8M
- ball and end connection – 316 stainless steel
- elastomers – FKM
- stem Seal – PTFE



| Size | A | B | C | D | E | F | G | H | I | J | K | Cv | Weight (lb) | Break Torque (in/lb) |
|------|----------|------|-------|------|------|------|------|-----|------|-----|------|---------|-------------|----------------------|
| 1.00 | ANSI 150 | 1.81 | 6.85 | 3.58 | 2.81 | 0.90 | 0.41 | M12 | 0.31 | F04 | 4xM5 | 49.88 | 2.86 | 124 |
| 1.25 | ANSI 150 | 2.12 | 6.85 | 3.74 | 2.95 | 0.90 | 0.41 | M12 | 0.31 | F04 | 4xM5 | 103.24 | 3.64 | 150 |
| 1.50 | ANSI 150 | 2.50 | 9.84 | 4.33 | 3.34 | 1.10 | 0.59 | M16 | 0.39 | F05 | 4xM6 | 266.80 | 4.74 | 195 |
| 2.00 | ANSI 150 | 3.23 | 9.84 | 4.68 | 3.68 | 1.10 | 0.59 | M16 | 0.39 | F05 | 4xM6 | 307.40 | 8.27 | 292 |
| 2.50 | ANSI 150 | 4.05 | 12.63 | 5.70 | 4.78 | 1.31 | 0.70 | M20 | 0.55 | F07 | 4xM8 | 626.40 | 16.20 | 540 |
| 3.00 | ANSI 150 | 4.80 | 12.63 | 6.06 | 5.15 | 1.31 | 0.70 | M20 | 0.55 | F07 | 4xM8 | 1012.68 | 22.71 | 637 |
| 4.00 | ANSI 150 | 5.60 | 12.53 | 6.57 | 5.67 | 1.31 | 0.70 | M20 | 0.55 | F10 | 4xM8 | 1612.40 | 35.28 | 956 |



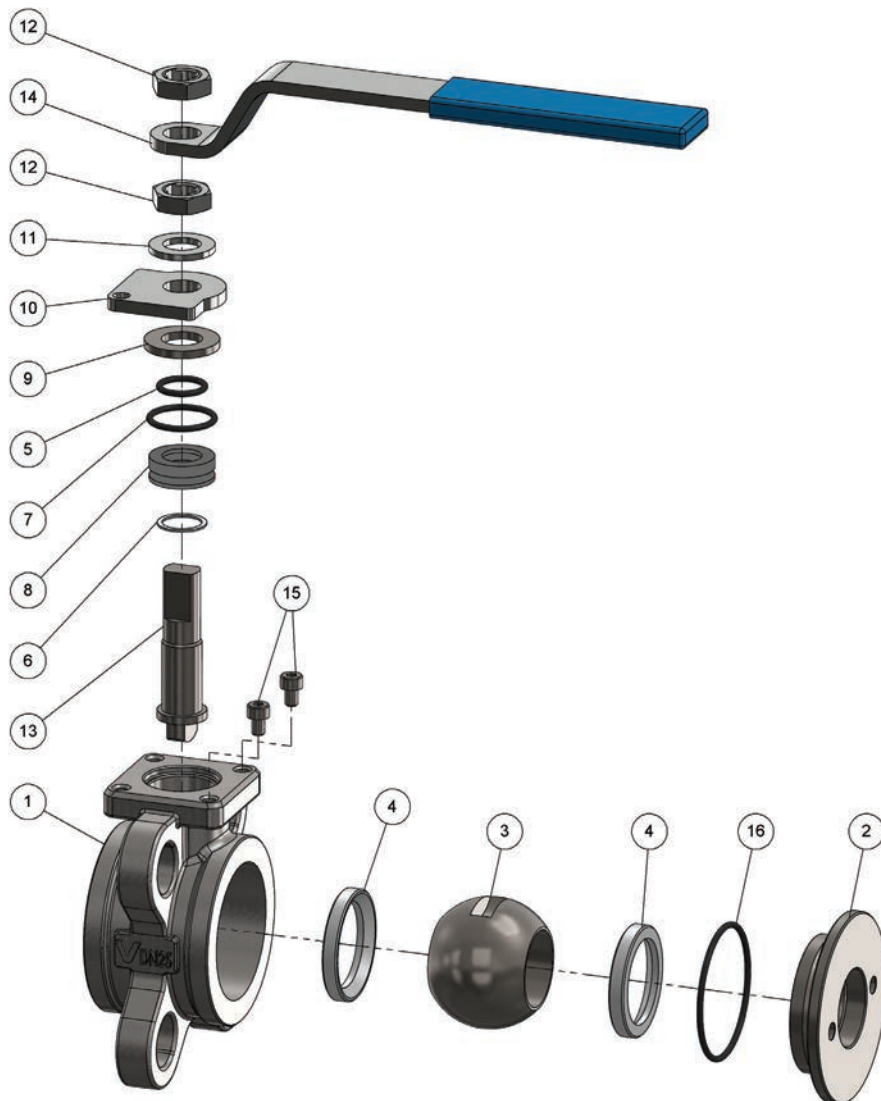
T



Call Toll Free: 1-866-711-4673
International: + 1-727-342-5086



Industrial Wafer Ball Valve - Exploded View



| Size | Part Number |
|------|-------------------------------|
| 1" | BV2IC-100WW-A |
| 1¼" | BV2IC-125WW-A |
| 1½" | BV2IC-150WW-A |
| 2" | BV2IC-200WW-A |
| 2½" | BV2IC-250WW-A |
| 3" | BV2IC-300WW-A |
| 4" | BV2IC-400WW-A |

| Item # | Description | Material | Qty |
|--------|----------------|-----------------|-----|
| 1 | body | 316 SS | 1 |
| 2 | end connection | 316 SS | 1 |
| 3 | ball | 316 SS | 1 |
| 4 | ball seats | 25% Carbon PTFE | 2 |
| 5 | O-ring | FKM | 1 |
| 6 | thrust washer | PTFE | 1 |
| 7 | ring | FKM | 1 |
| 8 | stem seal | PTFE | 1 |
| 9 | packing gland | 316 SS | 1 |
| 10 | end stop | Carbon Steel | 1 |
| 11 | spring washer | Carbon Steel | 2 |
| 12 | nut | Carbon Steel | 2 |
| 13 | stem | 316 SS | 1 |
| 14 | handle | Carbon Steel | 1 |
| 15 | screw | Carbon Steel | 2 |
| 16 | O-ring | FKM | 1 |

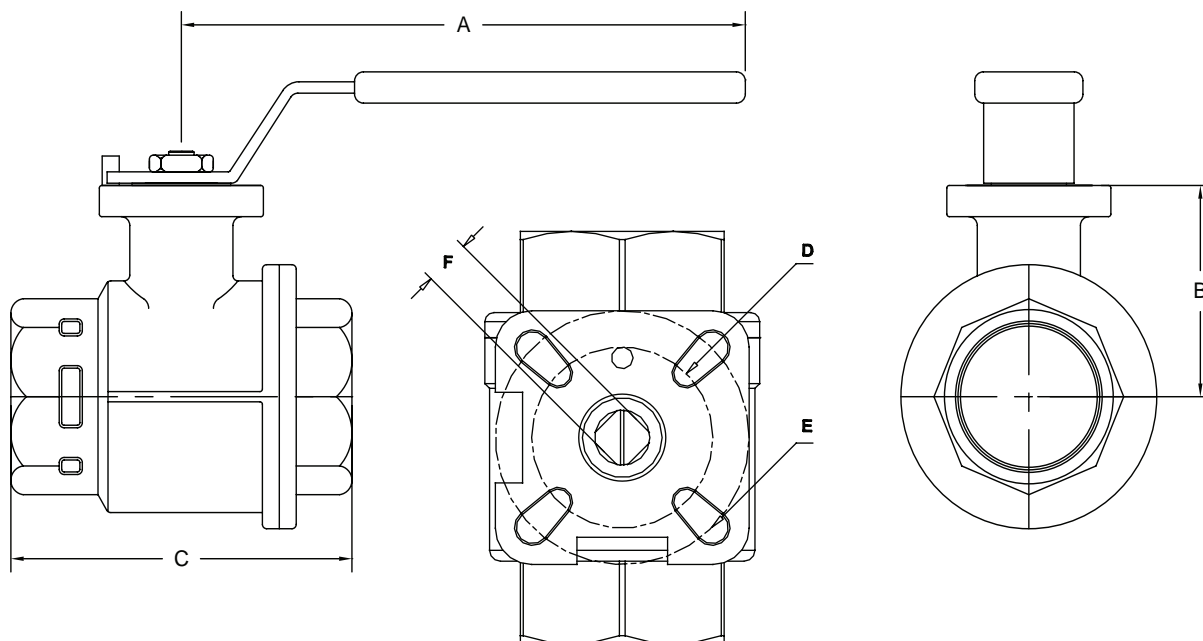
Note: also option for RTFE (BV2IG)

T

2 Piece Industrial Stainless Steel Ball Valves

Features:

- full port stainless steel ball valves with FNPT ends
- blow-out proof stem
- ISO 5211 mounting pad
- CF8M stainless body, ends and ball
- RTFE seats and PTFE seals
- private label handle covers available, see page 187
- maximum pressure: ½" - 2" **1,000 PSI WOG**
2½" - 3" **800 PSI WOG**
- maximum temperature: **350°F**



| Size | A | B | C | D | E | F | Break Torque (in-lbs.) | Weight (lbs.) | Stainless Steel Part Number |
|------|-------|------|------|-----|-----|----|------------------------|---------------|-----------------------------|
| ¼" | n/a | 1.06 | 2.17 | F03 | F04 | 9 | 65 | 0.53 | BV2HG-02511-A |
| ⅜" | n/a | 1.06 | 2.17 | F03 | F04 | 9 | 86 | 0.53 | BV2HG-03811-A |
| ½" | n/a | 1.18 | 2.41 | F03 | F04 | 9 | 86 | 0.66 | BV2HG-05011-A |
| ¾" | n/a | 1.29 | 2.99 | F03 | F04 | 9 | 97 | 1.12 | BV2HG-07511-A |
| 1" | n/a | 1.72 | 3.43 | F04 | F05 | 9 | 160 | 1.87 | BV2HG-10011-A |
| 1¼" | 5.35 | 1.86 | 3.93 | F04 | F05 | 9 | 239 | 2.76 | BV2HG-12511-A |
| 1½" | 9.17 | 2.34 | 4.48 | F05 | F07 | 11 | 398 | 4.45 | BV2HG-15011-A |
| 2" | 9.17 | 2.74 | 5.21 | F05 | F07 | 11 | 600 | 6.3 | BV2HG-20011-A |
| 2½" | 17.32 | 3.29 | 6.33 | F07 | F10 | 14 | 980 | 11.62 | BV2HG-25011-A |
| 3" | 17.32 | 4.67 | 7.34 | F07 | F10 | 17 | 1000 | 24.69 | BV2HG-30011-A |

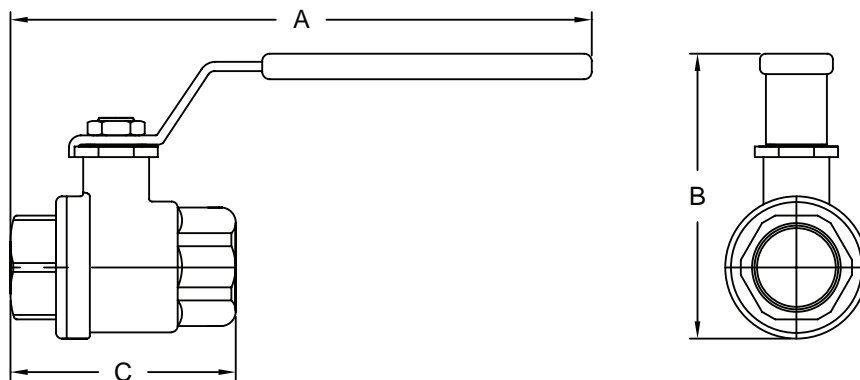
All dimensions are in inches unless otherwise noted. Engineering dimensions are available upon request. Specifications are subject to change without notice.

T

Full Port Stainless Steel Ball Valves

**Features:**

- for use in water, oil and gas
- ¼" - 2" rated to **1000 PSI** WOG (CWP); 2½" - 3" rated to **800 PSI** WOG (CWP); **100 PSI** saturated steam
- 316 stainless steel body, ball and stem
- PTFE seat, joint gasket and thrust washer
- private label handle covers available, see page 187
- blow-out proof stem design
- full port
- temperature range **-20°F to 300°F**



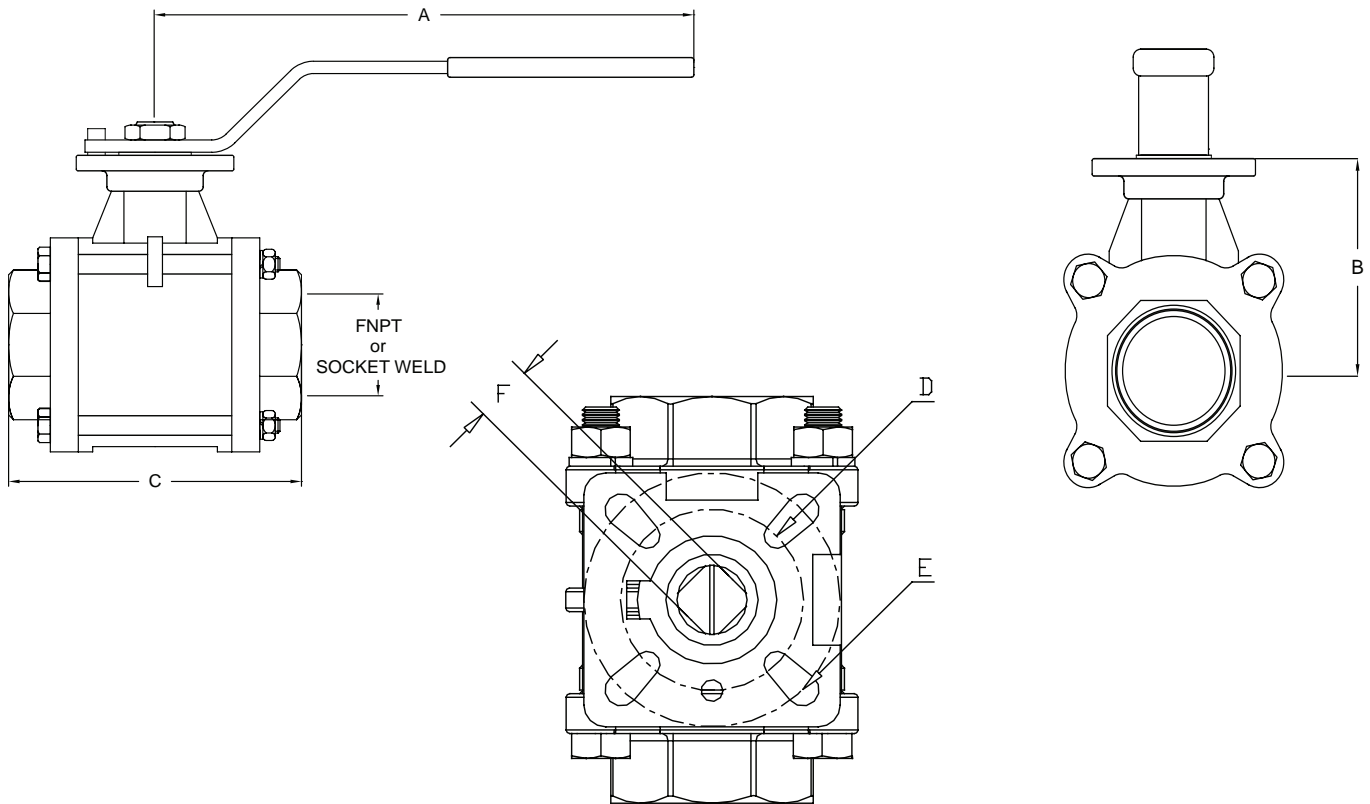
| Size | A | B | C | 316 Stainless Steel Part Number |
|------|-------|------|------|------------------------------------|
| ¼" | 5.25 | 2.75 | 1.25 | SSBV25 |
| ⅜" | 5.25 | 3.00 | 2.25 | SSBV38 |
| ½" | 6.50 | 3.25 | 2.75 | SSBV50 |
| ¾" | 6.75 | 3.50 | 3.00 | SSBV75 |
| 1" | 8.25 | 4.00 | 3.50 | SSBV100 |
| 1¼" | 8.75 | 4.50 | 4.00 | SSBV125 |
| 1½" | 9.75 | 5.00 | 4.50 | SSBV150 |
| 2" | 10.00 | 5.75 | 5.00 | SSBV200 |
| 2½" | 13.50 | 7.75 | 6.50 | SSBV250 |
| 3" | 14.00 | 8.50 | 7.00 | SSBV300 |

All dimensions are in inches unless otherwise noted. Engineering dimensions are available upon request.

3 Piece Industrial Stainless Steel Ball Valves

Features:

- full port stainless steel ball valves with FNPT ends or socket weld
- blow-out proof stem
- live-loaded stem packing
- 316 stainless steel stem
- swing out design for easy maintenance
- ISO 5211 mounting pad
- CF8M stainless steel body and ball
- private label handle covers available, page 187
- maximum pressure: ½" - 2" **1,000 PSI** WOG at 65°F
2½" - 3" **800 PSI** WOG at 65°F
4" **600 PSI** WOG at 65°F
- maximum temperature: **400°F**



| Size | A | B | C | D | E | F | FNPT | Socket Weld | FNPT Part Number | Socket Weld Part Number |
|------|-------|------|------|-----|-----|----|------|-------------|----------------------|-------------------------|
| ¼" | 4.72 | 1.52 | 2.51 | F03 | F04 | 9 | 0.25 | n/a | BV2I*-02511-A | BV2I*-02533-A |
| ⅜" | 4.72 | 1.52 | 2.51 | F03 | F04 | 9 | 0.38 | 0.71 | BV2I*-03811-A | BV2I*-03833-A |
| ½" | 4.72 | 1.67 | 2.84 | F03 | F04 | 9 | 0.50 | 0.88 | BV2I*-05011-A | BV2I*-05033-A |
| ¾" | 4.72 | 1.91 | 3.11 | F03 | F04 | 9 | 0.75 | 1.09 | BV2I*-07511-A | BV2I*-07533-A |
| 1" | 5.35 | 2.17 | 3.29 | F04 | F05 | 11 | 1.00 | 1.35 | BV2I*-10011-A | BV2I*-10033-A |
| 1¼" | 5.35 | 2.35 | 4.14 | F04 | F05 | 11 | 1.25 | 1.70 | BV2I*-12511-A | BV2I*-12533-A |
| 1½" | 9.17 | 2.77 | 4.41 | F05 | F07 | 14 | 1.50 | 1.94 | BV2I*-15011-A | BV2I*-15033-A |
| 2" | 9.17 | 3.38 | 5.13 | F05 | F07 | 14 | 2.00 | 2.44 | BV2I*-20011-A | BV2I*-20033-A |
| 2½" | 17.32 | 4.29 | 6.64 | F07 | F10 | 17 | 2.50 | 3.01 | BV2I*-25011-A | BV2I*-25033-A |
| 3" | 17.32 | 4.67 | 7.34 | F07 | F10 | 17 | 3.00 | 3.52 | BV2I*-30011-A | BV2I*-30033-A |
| 4" | 17.32 | 4.54 | 8.88 | F07 | F10 | 17 | 4.00 | 4.52 | BV2I*-40011-A | BV2I*-40033-A |

* Use G or C; G = RTFE, C = 25% Carbon PTFE

T



Call Toll Free: 1-866-711-4673
International: +1-727-342-5086

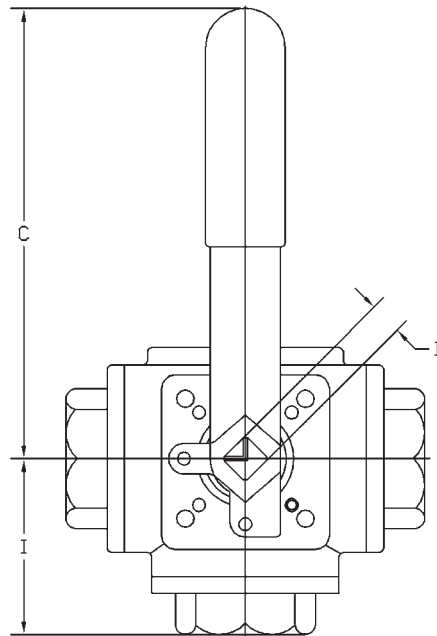
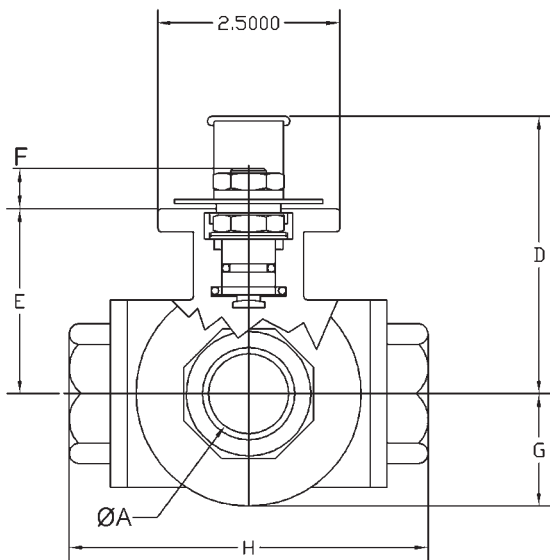


3-way Industrial Stainless Steel Ball Valves



Features:

- full port stainless steel ball valves with FNPT ends
- blow-out proof stem
- ISO 5211 mounting pad
- CF8M stainless steel body and ball
- RTFE seats and seals
- live-loaded stem packing
- for flow options see page 177
- private label handle covers available, page 187
- maximum pressure: ¼" - 1" **1,000 PSI WOG**
1½" - 2" **800 PSI WOG**
- maximum temperature: **350°F**



| Size | A | B (mm) | C | D | E | F | G | H | I | Break Torque (in-lbs.) | <i>Stainless Steel</i> 'L' port Part Number | <i>Stainless Steel</i> 'T' port Part Number |
|------|------|--------|-------|------|------|-----|------|------|------|------------------------|--|--|
| ¼" | .43 | 9 | 5.12 | 2.44 | 1.45 | .40 | .78 | 2.83 | 1.41 | 157 | BV3IGLF-0251-A | BV3IGTF-0251-A |
| ⅜" | .47 | 9 | 5.12 | 2.44 | 1.45 | .40 | .78 | 2.83 | 1.41 | 157 | BV3IGLF-0381-A | BV3IGTF-0381-A |
| ½" | .59 | 9 | 5.12 | 2.51 | 1.65 | .45 | .91 | 3.26 | 1.63 | 207 | BV3IGLF-0501-A | BV3IGTF-0501-A |
| ¾" | .78 | 11 | 6.49 | 3.22 | 1.65 | .59 | 1.10 | 3.89 | 1.94 | 276 | BV3IGLF-0751-A | BV3IGTF-0751-A |
| 1" | .98 | 11 | 6.49 | 3.50 | 2.18 | .55 | 1.33 | 4.40 | 2.20 | 484 | BV3IGLF-1001-A | BV3IGTF-1001-A |
| 1¼" | 1.25 | 14 | 8.07 | 3.85 | 2.48 | .64 | 1.53 | 4.92 | 2.46 | 692 | BV3IGLF-1251-A | BV3IGTF-1251-A |
| 1½" | 1.50 | 14 | 8.07 | 4.25 | 2.88 | .62 | 1.88 | 5.86 | 2.93 | 950 | BV3IGLF-1501-A | BV3IGTF-1501-A |
| 2" | 2.0 | 17 | 12.79 | 5.51 | 3.63 | .88 | 2.36 | 6.85 | 3.42 | 1555 | BV3IGLF-2001-A | BV3IGTF-2001-A |

All dimensions are in inches unless otherwise noted. Engineering dimensions are available upon request. Specifications are subject to change without notice.

T

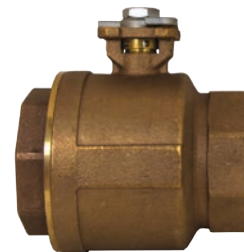
2 Piece Industrial Brass Ball Valves

Features:

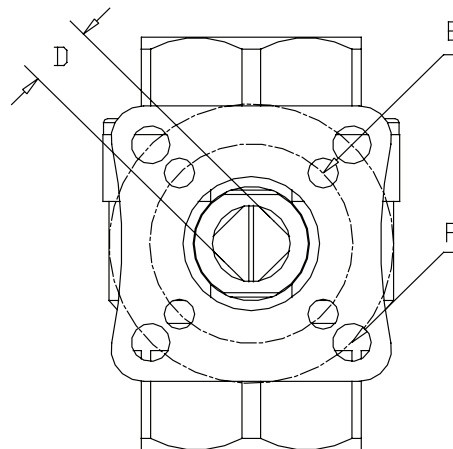
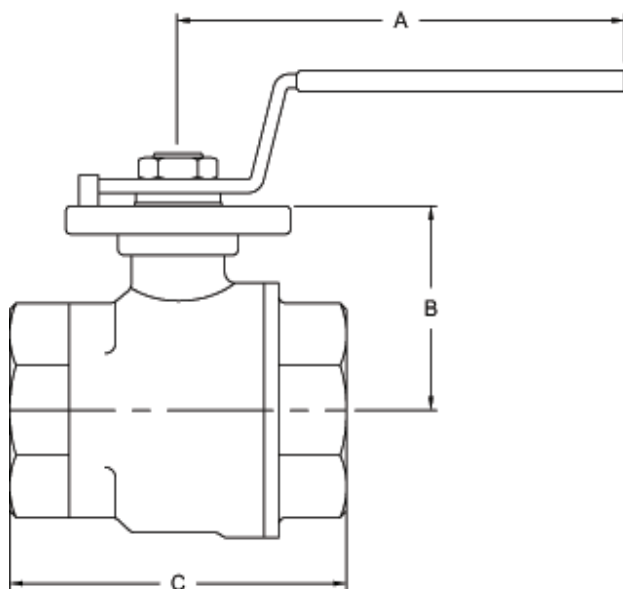
- full port brass ball valves with FNPT ends
- blow-out proof stem
- ISO 5211 mounting pad
- PTFE seats
- private label handle covers available, see page 187
- maximum pressure: **600 PSI** WOG
- maximum temperature: **300°F**



1/4" - 2"



2 1/2" - 4"



| Size | A | B | C | D (mm) | E | F | Break Torque (in-lbs.) | Weight (lbs.) | Brass Part Number |
|--------|-------|------|------|--------|-----|-----|------------------------|---------------|----------------------|
| 1/2" | 4.40 | 1.51 | 2.16 | 9 | F04 | n/a | 86 | 0.86 | BV2BV-05011-A |
| 3/4" | 4.40 | 1.63 | 2.80 | 11 | F04 | F05 | 149 | 0.91 | BV2BV-07511-A |
| 1" | 5.40 | 1.76 | 3.23 | 11 | n/a | F05 | 193 | 1.55 | BV2BV-10011-A |
| 1 1/4" | 7.30 | 2.13 | 3.58 | 11 | F05 | F07 | 290 | 2.14 | BV2BV-12511-A |
| 1 1/2" | 7.80 | 2.32 | 4.06 | 14 | F05 | F07 | 470 | 3.71 | BV2BV-15011-A |
| 2" | 7.80 | 2.65 | 4.76 | 14 | F05 | F07 | 634 | 5.52 | BV2BV-20011-A |
| 2 1/2" | 10.40 | 3.84 | 6.22 | 17 | n/a | F07 | 699 | 8.83 | BV2BV-25011-A |
| 3" | 10.40 | 4.17 | 7.40 | 17 | n/a | F07 | 722 | 13.29 | BV2BV-30011-A |
| 4" | 12.80 | 4.76 | 8.74 | 17 | n/a | F07 | 1472 | 18.32 | BV2BV-40011-A |

All dimensions are in inches unless otherwise noted. Engineering dimensions are available upon request. Specifications are subject to change without notice.

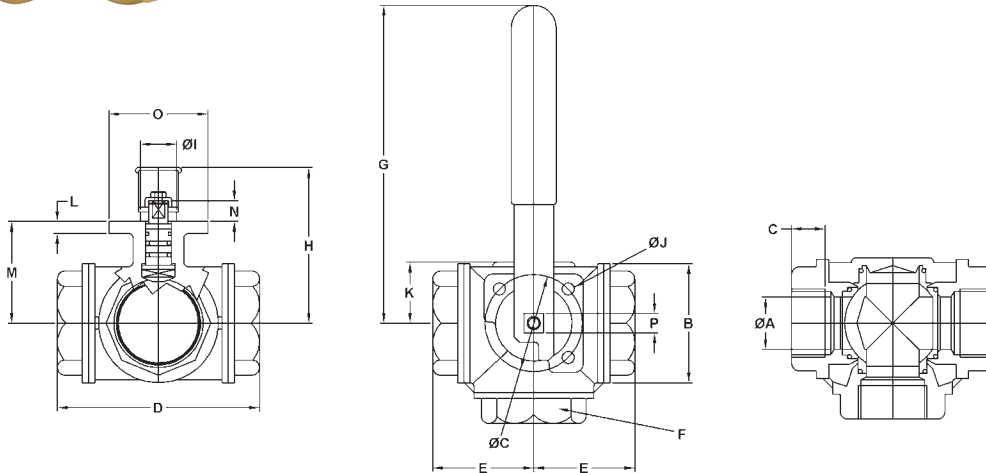
T

3-way Industrial Brass Ball Valves



Features:

- reduced port brass ball valves with FNPT ends
- blow-out proof stem
- ISO 5211 mounting pad
- PTFE seats with O-ring backing
- double O-ring stem packing
- for flow options see page 177
- private label handle covers available, see page 187
- maximum pressure: **400 PSI WOG**
- maximum temperature: **300°F**



| Size | A | B | C | D | E | F | G | H | I | J | K | L | M | N | O | P (mm) |
|--------|-----|-----|-----|------|------|------|------|------|------|-----|------|-----|------|-----|------|--------|
| 1/4" | 4.8 | 2.4 | 2.6 | 2.64 | 1.32 | .86 | 4.72 | 2.44 | .87 | .23 | .77 | .20 | 1.20 | .35 | 1.49 | 9 |
| 3/8" | 4.8 | 2.4 | 2.6 | 2.64 | 1.32 | .86 | 4.72 | 2.44 | .87 | .23 | .77 | .20 | 1.20 | .35 | 1.49 | 9 |
| 1/2" | 4.8 | 2.4 | 2.9 | 2.87 | 1.44 | 1.06 | 4.72 | 2.44 | .87 | .23 | .77 | .20 | 1.20 | .35 | 1.49 | 9 |
| 3/4" | 4.8 | 2.5 | 3.2 | 3.19 | 1.60 | 1.25 | 4.72 | 2.52 | .87 | .23 | .87 | .20 | 1.29 | .35 | 1.49 | 9 |
| 1" | 6.7 | 3.0 | 3.7 | 3.74 | 1.87 | 1.61 | 6.69 | 2.95 | .94 | .27 | 1.00 | .28 | 1.63 | .43 | 1.97 | 11 |
| 1 1/4" | 6.7 | 3.2 | 4.4 | 4.39 | 2.20 | 1.96 | 6.69 | 3.17 | .94 | .27 | 1.22 | .28 | 1.85 | .43 | 1.97 | 11 |
| 1 1/2" | 6.7 | 3.7 | 4.9 | 4.86 | 2.43 | 2.16 | 6.69 | 3.66 | 1.26 | .27 | 1.79 | .28 | 2.34 | .43 | 1.97 | 11 |
| 2" | 9.1 | 4.4 | 5.7 | 5.73 | 2.87 | 2.75 | 9.05 | 4.43 | 1.46 | .35 | 1.75 | .32 | 2.90 | .59 | 2.75 | 14 |
| 2 1/2" | 9.1 | 4.9 | 6.9 | 6.93 | 3.47 | 3.34 | 9.05 | 4.86 | 1.46 | .35 | 2.20 | .32 | 3.35 | .59 | 2.75 | 14 |
| 3" | 9.1 | 4.9 | 7.1 | 7.08 | 3.54 | 4.13 | 9.05 | 4.86 | 1.46 | .35 | 2.20 | .32 | 3.35 | .59 | 2.75 | 14 |

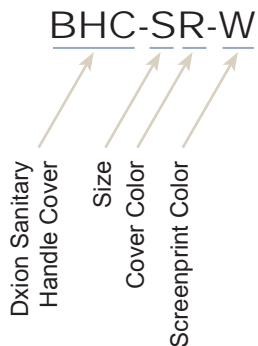
| Size | Break Torque (in-lbs.) | Weight (lbs.) | Brass 'L' port Part Number | Brass 'T' port Part Number |
|--------|------------------------|---------------|--------------------------------|--------------------------------|
| 1/4" | 79 | 1.22 | BV3BVLR-0251-A | BV3BVTR-0251-A |
| 3/8" | 79 | 1.16 | BV3BVLR-0381-A | BV3BVTR-0381-A |
| 1/2" | 79 | 1.21 | BV3BVLR-0501-A | BV3BVTR-0501-A |
| 3/4" | 79 | 1.44 | BV3BVLR-0751-A | BV3BVTR-0751-A |
| 1" | 225 | 2.64 | BV3BVLR-1001-A | BV3BVTR-1001-A |
| 1 1/4" | 225 | 4.15 | BV3BVLR-1251-A | BV3BVTR-1251-A |
| 1 1/2" | 225 | 6.02 | BV3BVLR-1501-A | BV3BVTR-1501-A |
| 2" | 412 | 9.08 | BV3BVLR-2001-A | BV3BVTR-2001-A |
| 2 1/2" | 570 | 16.33 | BV3BVLR-2501-A | BV3BVTR-2501-A |
| 3" | 570 | 19.55 | BV3BVLR-3001-A | BV3BVTR-3001-A |

T

Private Label Vinyl Handle Covers

Ordering Information

- 100 pieces per size minimum order
- customer to supply artwork for screen printing



Size

- S**small
- M**medium
- L**large

Cover Color

- R**red
- Y**yellow
- B**blue
- G**green
- BK**black

Screenprint Color

- W**white
- BK**black
- N**none

Product Specifications



| Size | Length | Width | Thickness |
|--------|--------|-------|-----------|
| small | 3.503 | 0.866 | 0.067 |
| medium | 4.409 | 1.102 | 0.071 |
| large | 9.251 | 1.535 | 0.084 |

T

Electrically Actuated 3-Piece Sanitary Ball Valves

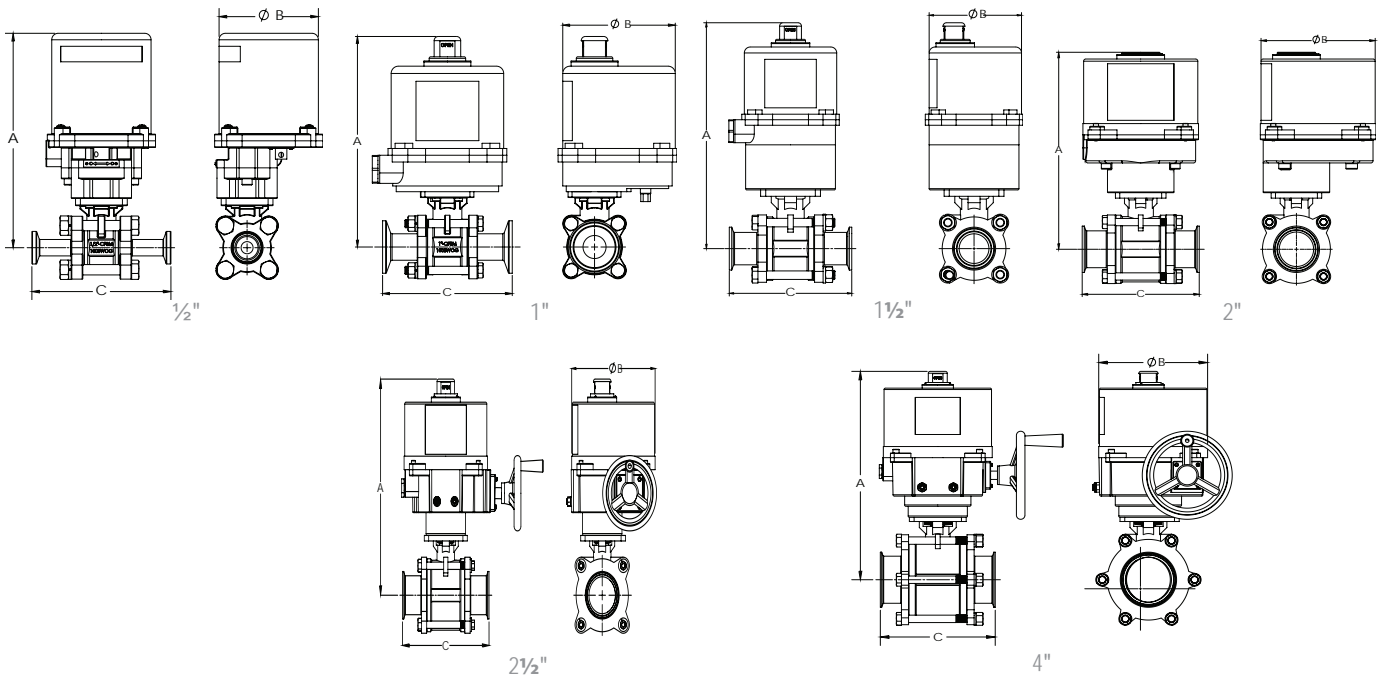


Features and Benefits:

- compact design for areas with tight space restrictions
- full port design offers lower pressure drop and a less turbulent flow
- balanced encapsulated construction minimizes cold-flow of seats
- precision stainless steel balls reduce torque and friction losses while extending seat life
- blow-out proof stem
- live-loaded stem packing
- ID polish is R_a 32 minimum
- pressure rating: ½" - 2" **1000 PSI WOG**, 2½" - 4" **800 PSI WOG**
- Virgin PTFE seats

Electric Actuator

- lightweight powder coated aluminum alloy housing
- NEMA 4/4X waterproof and dustproof
- extended duty cycle induction motor
- high alloy steel gear train
- H-insulation class
- visual position indication
- space heater is standard
- manual override standard: ½" - 1½"
- working temperature: **-41°F to 140°F**
- ISO 9001, CS, CE and CSA-C US Certified
- RoHS compliant



| Size | A | B | C | Override | 316 Stainless Steel Part # 110 VAC |
|------|-------|------|------|-----------|---------------------------------------|
| ½" | 6.53 | 3.07 | 4.33 | LEVER | BV2CV-050CC-EA |
| ¾" | 6.83 | 3.07 | 4.69 | LEVER | BV2CV-075CC-EA |
| 1" | 7.96 | 4.25 | 4.89 | HEX | BV2CV-100CC-EA |
| 1½" | 10.45 | 4.25 | 5.64 | OPTIONAL | BV2CV-150CC-EA |
| 2" | 10.69 | 6.22 | 6.38 | N/A | BV2CV-200CC-EA |
| 2½" | 13.88 | 7.48 | 7.76 | HANDWHEEL | BV2CV-250CC-EA |
| 3" | 14.22 | 7.48 | 9.13 | HANDWHEEL | BV2CV-300CC-EA |
| 4" | 17.7 | 9.06 | 9.56 | HANDWHEEL | BV2CV-400CC-EA |

• A wide variety of options are available: modulating, extra switches, transmitters, potentiometer and seat material. Contact

T

Pneumatically Actuated 3-Piece Stainless Ball Valves

Features and Benefits:

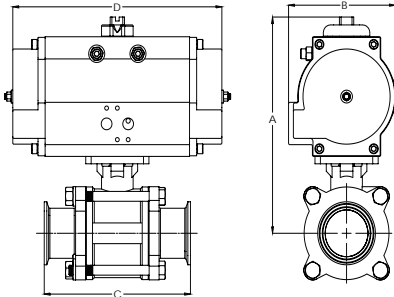
- compact design for areas with tight space restrictions
- full port design offers lower pressure drop and a less turbulent flow
- balanced encapsulated construction minimizes cold-flow of seats
- precision stainless steel balls reduce torque and friction losses while extending seat life
- blow-out proof stem
- live-loaded stem packing
- ID polish is R_a 32 minimum
- pressure rating: ½" - 2" **1000 PSI WOG**, 2½" - 4" **800 PSI WOG**
- Virgin PTFE seats

Rack and Pinion Actuator:

- hard anodized aluminum body
- nickel plated anti-blowout pinion
- Buna-N O-rings
- NAMUR mounting
- bi-directional stops for $\pm 5^\circ$ travel adjustment
- **80 PSI** plant air required
- visual position indication
- maximum operating pressure: **120 PSI**
- operating temperature range: **-40°F to 200°F**
- tested to one million cycles

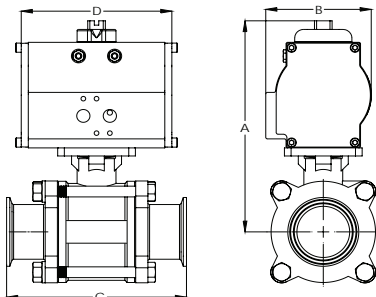


Spring Return



| Size | A | B | C | D | 316 Stainless Steel Part # |
|------|-------|------|------|-------|----------------------------|
| ½" | 5.26 | 3.21 | 4.33 | 6.84 | BV2CV-050CC-BBC |
| ¾" | 5.68 | 3.21 | 4.69 | 6.84 | BV2CV-075CC-BBC |
| 1" | 6.00 | 3.21 | 4.89 | 6.84 | BV2CV-100CC-BBC |
| 1½" | 7.37 | 3.74 | 5.64 | 7.44 | BV2CV-150CC-BBC |
| 2" | 8.64 | 4.66 | 6.38 | 9.28 | BV2CV-200CC-BBC |
| 2½" | 10.21 | 5.48 | 7.76 | 13.25 | BV2CV-250CC-BBC |
| 3" | 10.54 | 5.48 | 9.13 | 13.25 | BV2CV-300CC-BBC |
| 4" | 13.83 | 8.00 | 9.56 | 18.00 | BV2CV-400CC-BBC |

Double Acting



| Size | A | B | C | D | 316 Stainless Steel Part # |
|------|-------|------|------|-------|----------------------------|
| ½" | 4.93 | 2.90 | 4.33 | 4.73 | BV2CV-050CC-BCC |
| ¾" | 5.23 | 2.90 | 4.69 | 4.73 | BV2CV-075CC-BCC |
| 1" | 5.98 | 3.23 | 4.89 | 5.58 | BV2CV-100CC-BCC |
| 1½" | 7.36 | 3.74 | 5.64 | 5.78 | BV2CV-150CC-BCC |
| 2" | 7.72 | 3.74 | 6.38 | 5.78 | BV2CV-200CC-BCC |
| 2½" | 9.41 | 4.66 | 7.76 | 7.25 | BV2CV-250CC-BCC |
| 3" | 10.54 | 5.48 | 9.13 | 10.63 | BV2CV-300CC-BCC |
| 4" | 10.54 | 5.48 | 9.56 | 10.63 | BV2CV-400CC-BCC |

T

Electrically Actuated 2-Piece Stainless Ball Valves



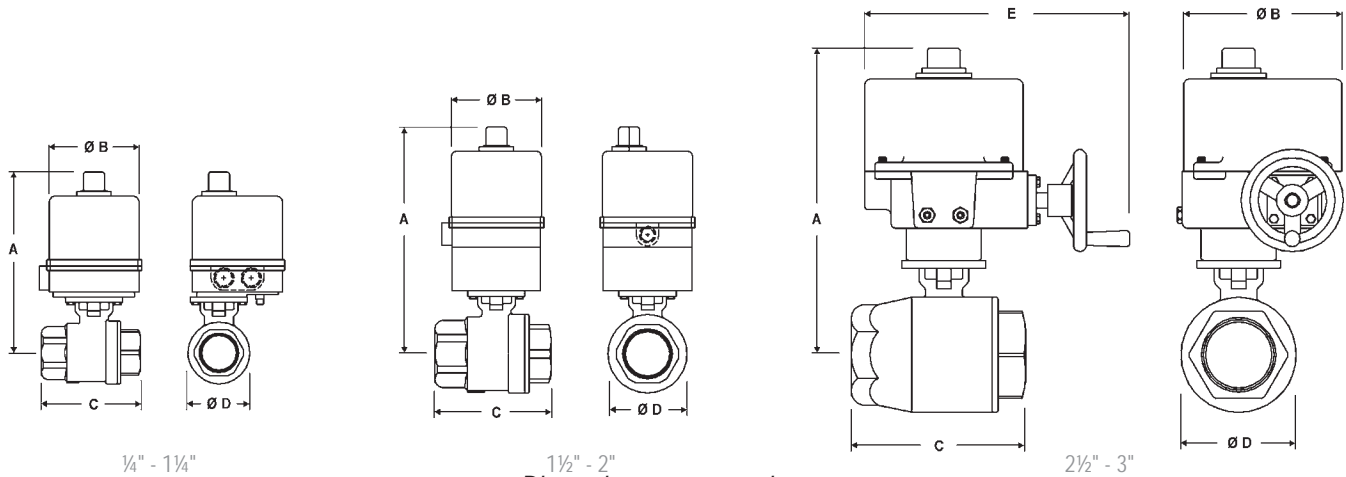
Features:

2-Piece Stainless Ball Valve

- RTFE seats and seals
- blow-out proof stem
- live-loaded stem packing
- ISO 5211 mounting pad
- pressure rating: ¼" - 2" **1000 PSI WOG**, ½" - 3" **800 PSI WOG**
- temperature range: **-40°F to 350°F**

Electric Actuator

- lightweight powder coated aluminum alloy housing
- NEMA 4/4X waterproof and dustproof
- extended duty cycle induction motor
- high alloy steel gear train
- H-insulation class
- visual position indication
- space heater is standard
- manual override standard: ½" - 1½"
- working temperature: **-41°F to 140°F**
- ISO 9001, CS, CE and CSA-C US Certified
- RoHS compliant



¼" - 1¼"

1½" - 2"

2½" - 3"

Dimensions are approximate.

Engineering dimensions are available upon request. Specifications are subject to change without notice.

| Size | A | B | C | D | E | Override | 316 Stainless Steel Part # |
|------|-------|------|------|------|-------|-----------|--|
| ¼" | 7.79 | 4.50 | 2.56 | 1.40 | NA | standard | BV2HG-02511 |
| ⅜" | 7.79 | 4.50 | 2.56 | 1.40 | NA | standard | BV2HG-03811 |
| ½" | 7.74 | 4.50 | 2.95 | 1.40 | NA | standard | BV2HG-05011 |
| ¾" | 7.84 | 4.50 | 3.15 | 1.75 | NA | standard | BV2HG-07511 |
| 1" | 8.09 | 4.50 | 3.54 | 1.75 | NA | standard | BV2HG-10011 |
| 1¼" | 8.29 | 4.50 | 4.33 | 2.58 | NA | standard | BV2HG-12511 |
| 1½" | 8.69 | 4.50 | 4.72 | 2.97 | NA | N/A | BV2HG-15011 |
| 2" | 11.13 | 4.50 | 5.51 | 2.73 | NA | N/A | BV2HG-20011 |
| 2½" | 13.72 | 7.08 | 7.28 | 4.68 | 12.83 | handwheel | BV2HG-25011-EP¹ |
| 2½" | 10.69 | 6.06 | 7.28 | 4.68 | NA | N/A | BV2HG-25011 |
| 3" | 13.72 | 7.08 | 8.07 | 5.44 | 12.83 | handwheel | BV2HG-30011 |

¹ for 110VAC 2½" with manual override use EP

A wide variety of options are available: modulating, extra switches, transmitters, potentiometer, etc.
 Contact Dixon Sanitary at 800.789.1718 or visit dixonvalve.com for details.



Caution !

Even though there are torque safety factors built into our automated ball valve packages, actual service conditions must also be considered when selecting the proper product for the appropriate application.

For example: Severe service conditions such as dirty water, dirty air, all slurries, raw sewage water, oils, and other viscous fluids can



Pneumatically Actuated 2-Piece Stainless Ball Valves

Features:

2-Piece Stainless Ball Valve

- RTFE seats and seals
- blow-out proof stem
- live-loaded stem packing
- ISO 5211 mounting pad
- pressure rating: ¼" - 2" **1000 PSI WOG**, 2½" - 3" **800 PSI WOG**
- temperature range: ¼" - 2" - **-40°F to 350°F**,
2½" - 3" - **-40°F to 325°F**

Rack and Pinion Actuator

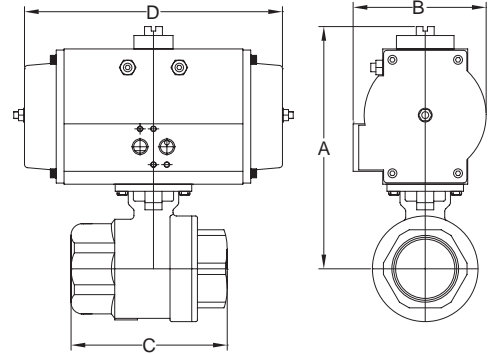
- hard anodized aluminum body
- nickel plated anti-blowout pinion
- Buna-N O-rings
- NAMUR mounting
- bi-directional stops for ±5° travel adjustment
- **80 PSI** plant air required
- visual position indication
- maximum operating pressure: **120 PSI**
- operating temperature range: **-40°F to 200°F**
- tested to one million cycles



Spring Return (normally closed)

Dimensions are approximate. Engineering dimensions are available upon request. Specifications are subject to change without notice.

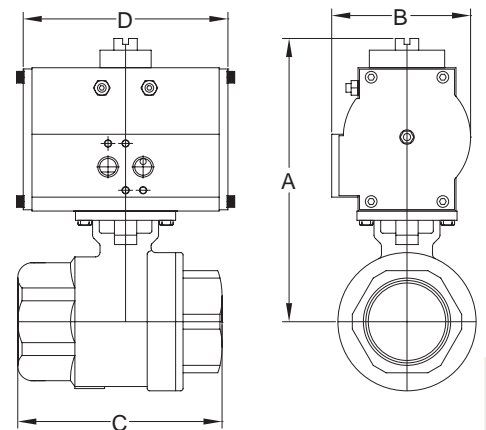
| Size | A | B | C | D | 316 Stainless Steel Part # |
|------|-------|------|------|-------|----------------------------|
| ¼" | 5.21 | 2.80 | 2.56 | 5.49 | BV2HG-02511-BBC |
| ⅜" | 5.21 | 2.80 | 2.56 | 5.49 | BV2HG-03811-BBC |
| ½" | 5.16 | 2.80 | 2.95 | 5.49 | BV2HG-05011-BBC |
| ¾" | 5.26 | 2.80 | 3.15 | 5.49 | BV2HG-07511-BBC |
| 1" | 6.64 | 3.74 | 3.54 | 8.09 | BV2HG-10011-BBC |
| 1¼" | 6.84 | 3.74 | 4.33 | 8.09 | BV2HG-12511-BBC |
| 1½" | 8.14 | 4.69 | 4.72 | 9.84 | BV2HG-15011-BBC |
| 2" | 8.69 | 4.69 | 5.51 | 9.84 | BV2HG-20011-BBC |
| 2½" | 9.54 | 5.53 | 7.28 | 13.98 | BV2HG-25011-BBC |
| 3" | 11.39 | 7.29 | 8.07 | 16.61 | BV2HG-30011-BBC |



Double Acting

Dimensions are approximate. Engineering dimensions are available upon request. Specifications are subject to change without notice.

| Size | A | B | C | D | 316 Stainless Steel Part # |
|------|-------|------|------|-------|----------------------------|
| ¼" | 4.25 | 1.77 | 2.56 | 4.33 | BV2HG-02511-BCC |
| ⅜" | 4.25 | 1.77 | 2.56 | 4.33 | BV2HG-03811-BCC |
| ½" | 4.20 | 1.77 | 2.95 | 4.33 | BV2HG-05011-BCC |
| ¾" | 4.30 | 1.77 | 3.15 | 4.33 | BV2HG-07511-BCC |
| 1" | 5.89 | 3.20 | 3.54 | 5.68 | BV2HG-10011-BCC |
| 1¼" | 6.09 | 3.20 | 4.33 | 5.68 | BV2HG-12511-BCC |
| 1½" | 7.24 | 3.74 | 4.72 | 5.87 | BV2HG-15011-BCC |
| 2" | 7.79 | 3.74 | 5.51 | 5.87 | BV2HG-20011-BCC |
| 2½" | 8.75 | 4.69 | 7.28 | 7.20 | BV2HG-25011-BCC |
| 3" | 10.01 | 5.53 | 8.07 | 10.22 | BV2HG-30011-BCC |



A wide variety of switches, solenoids, positioners, etc., are available.
Contact Dixon Sanitary at 800.789.1718 or visit dixonvalve.com for details.



Caution !

Even though there are torque safety factors built into our automated ball valve packages, actual service conditions must also be considered when selecting the proper product for the appropriate application.

For example: Severe service conditions such as dirty water, dirty air, all slurries, raw sewage water, oils, and other



GOODYEAR
GOODYEARBELTING.COM

Call Toll Free: 1-866-711-4673
International: +1-727-342-5086

**We Ship
World Wide**

Electrically Actuated 3-Piece Stainless Ball Valves



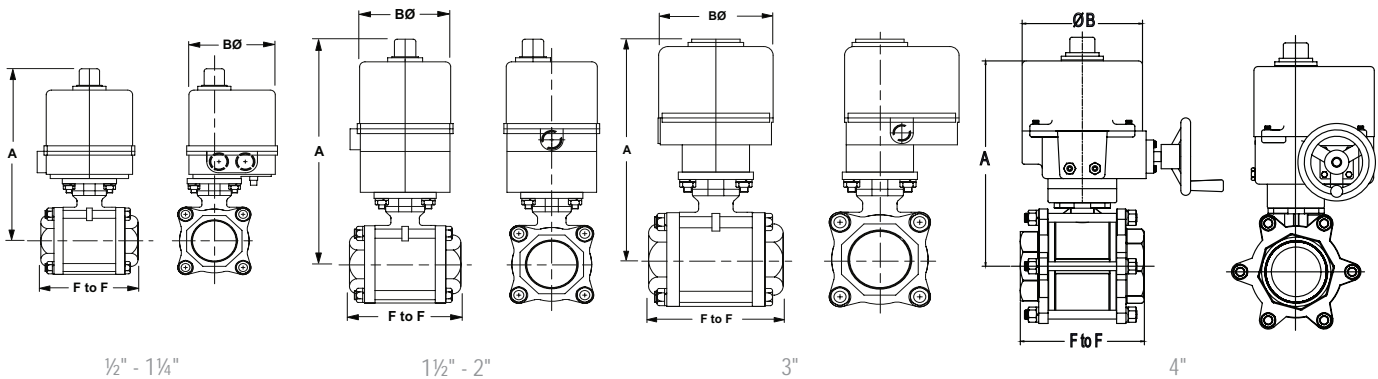
Features:

3-Piece Stainless Ball Valve

- RTFE seats
- blow-out proof stainless steel stem
- live-loaded stem packing
- ISO 5211 mounting pad
- swing out in-line easy maintenance
- ½" - 2" rated to **1000 PSI WOG**; 3" rated to **800 PSI WOG**
- temperature range: ½" - 2" - **-40°F to 350°F**,
3" - 4" **-40°F to 325°F**

Electric Actuator

- lightweight powder coated aluminum alloy housing
- NEMA 4/4X waterproof and dustproof
- extended duty cycle induction motor
- high alloy steel gear train
- H-insulation class
- visual position indication
- space heater is standard
- manual override standard: ½" - 1½"
- working temperature: **-41°F to 140°F**
- ISO 9001, CS, CE and CSA-C US Certified
- RoHS compliant



½" - 1¼"

1½" - 2"

3"

4"

Dimensions are approximate.

Engineering dimensions are available upon request. Specifications are subject to change without notice.

| Size | F to F | A | B | Override | 316 Stainless Steel Part # |
|------|--------|------|-----|----------|----------------------------|
| ½" | 2.6 | 7.8 | 4.5 | standard | BV2IG-05011 |
| ¾" | 3.0 | 8.0 | 4.5 | standard | BV2IG-07511 |
| 1" | 3.4 | 8.3 | 4.5 | standard | BV2IG-10011 |
| 1¼" | 4.0 | 8.5 | 4.5 | standard | BV2IG-12511 |
| 1½" | 4.7 | 9.2 | 4.5 | N/A | BV2IG-15011 |
| 2" | 5.2 | 11.4 | 4.5 | N/A | BV2IG-20011 |
| 3" | 7.2 | 12.2 | 6.1 | N/A | BV2IG-30011 |
| 4" | 8.9 | 16.1 | 7.1 | N/A | BV2IG-40011 |

A wide variety of options are available: modulating, extra switches, transmitters, potentiometer, etc.
Contact Dixon Sanitary at 800.789.1718 or visit dixonvalve.com for details.



Caution !

Even though there are torque safety factors built into our automated ball valve packages, actual service conditions must also be considered when selecting the proper product for the appropriate application.

For example: Severe service conditions such as dirty water, dirty air, all slurries, raw sewage water, oils, and other viscous fluids can have a dramatic affect in raising the torque requirements of ball valves as much as 75% and therefore larger actuators



Pneumatically Actuated 3-Piece Stainless Ball Valves

Features:

3-Piece Stainless Ball Valve

- RTFE seats
- blow-out proof stainless steel stem
- live-loaded stem packing
- ISO 5211 mounting pad
- swing out in-line easy maintenance
- ½" - 2" rated to **1000 PSI WOG**; 3" rated to **800 PSI WOG**
- temperature range: ½" - 2" - **-40°F to 350°F**,
3" - 4" - **-40°F to 325°F**

Rack and Pinion Actuator

- hard anodized aluminum body
- nickel plated anti-blowout pinion
- Buna-N O-rings
- NAMUR mounting
- bi-directional stops for $\pm 5^\circ$ travel adjustment
- **80 PSI** plant air required
- visual position indication
- maximum operating pressure: **120 PSI**
- operating temperature range: **-40°F to 200°F**
- tested to one million cycles

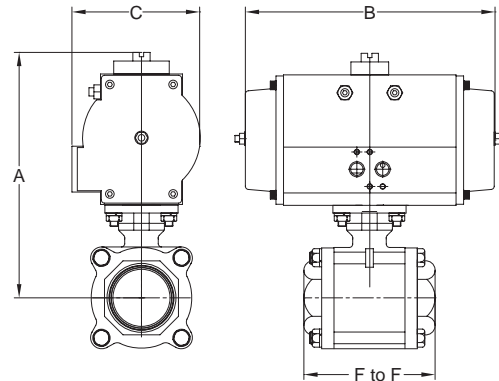


Spring Return (normally closed)

Dimensions are approximate. Engineering dimensions are available upon request. Specifications are subject to change without notice.

| Size | F to F | A | B | C | 316 Stainless Steel Part # |
|------|--------|------|------|-----|------------------------------------|
| ½" | 2.6 | 7.0 | 7.7 | 3.2 | BV2IG-05011-BBC¹ |
| ¾" | 3.0 | 7.2 | 7.7 | 3.2 | BV2IG-07511-BBC¹ |
| 1" | 3.4 | 6.1 | 7.7 | 3.2 | BV2IG-10011-BBC |
| 1¼" | 4.0 | 6.3 | 7.7 | 3.2 | BV2IG-12511-BBC |
| 1½" | 4.7 | 7.7 | 8.1 | 3.7 | BV2IG-15011-BBC |
| 2" | 5.2 | 8.8 | 8.1 | 3.7 | BV2IG-20011-BBC |
| 3" | 7.2 | 10.2 | 9.8 | 4.7 | BV2IG-30011-BBC |
| 4" | 8.9 | 12.4 | 10.9 | 5.5 | BV2IG-40011-BBC |

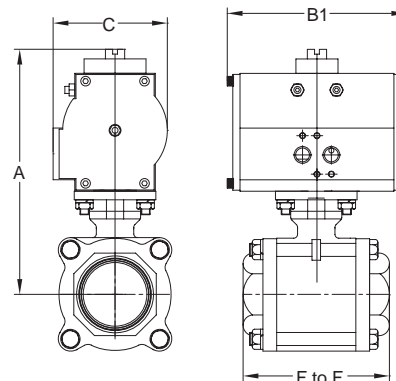
¹ bracket and coupler required for ½" and ¾" spring return actuator



Double Acting

Dimensions are approximate. Engineering dimensions are available upon request. Specifications are subject to change without notice.

| Size | F to F | A | B1 | C | 316 Stainless Steel Part # |
|------|--------|------|------|-----|----------------------------|
| ½" | 2.6 | 5.0 | 4.7 | 2.4 | BV2IG-05011-BCC |
| ¾" | 3.0 | 5.2 | 4.7 | 2.4 | BV2IG-07511-BCC |
| 1" | 3.4 | 6.1 | 5.7 | 3.2 | BV2IG-10011-BCC |
| 1¼" | 4.0 | 6.3 | 5.7 | 3.2 | BV2IG-12511-BCC |
| 1½" | 4.7 | 7.7 | 5.9 | 3.7 | BV2IG-15011-BCC |
| 2" | 5.2 | 8.0 | 5.9 | 3.7 | BV2IG-20011-BCC |
| 3" | 7.2 | 10.2 | 7.2 | 4.7 | BV2IG-30011-BCC |
| 4" | 8.9 | 13.8 | 16.3 | 7.2 | BV2IG-40011-BCC |



A wide variety of switches, solenoids, positioners, etc., are available.
Contact Dixon Sanitary at 800.789.1718 or visit dixonvalve.com for details.



Caution !

Even though there are torque safety factors built into our automated ball valve packages, actual service conditions must also be considered when selecting the proper product for the appropriate application.

For example: Severe service conditions such as dirty water, dirty air, all slurries, raw sewage water, oils, and other



GOODYEAR
GOODYEARBELTING.COM

Call Toll Free: 1-866-711-4673
International: +1-727-342-5086

**We Ship
World Wide**

Electrically Actuated Brass Ball Valves



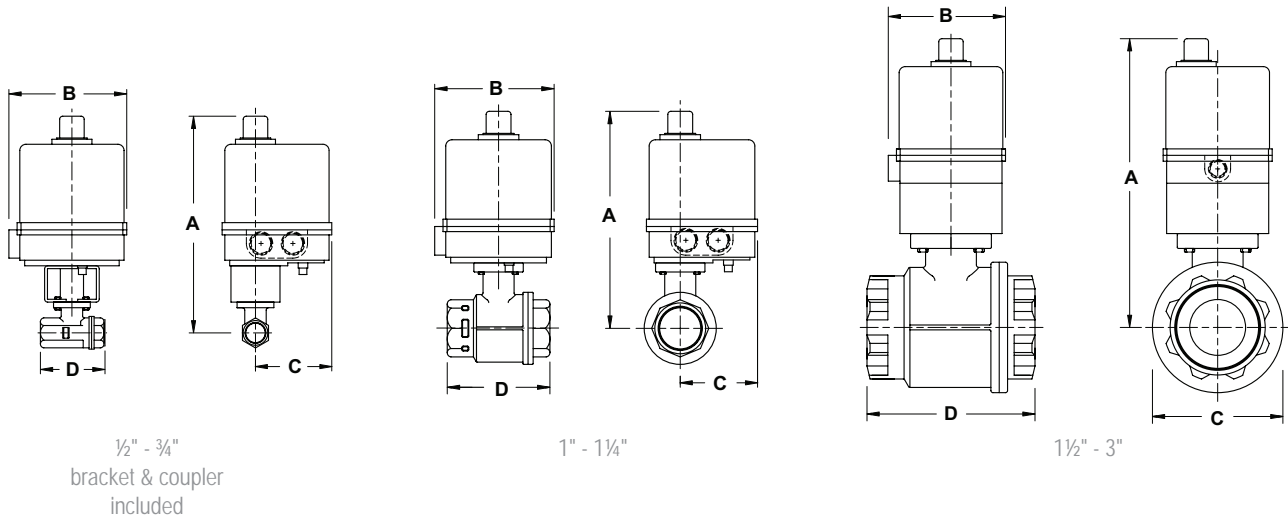
Features:

2-Piece Brass Ball Valve

- brass ball
- FKM elastomers
- blow-out proof brass stem
- PTFE seats with double O-ring stem packing
- ISO 5211 mounting pad
- pressure rating: **600 PSI WOG - 150 PSI WSP**
- maximum temperature: **300°F**

Electric Actuator

- lightweight powder coated aluminum alloy housing
- NEMA 4/4X waterproof and dustproof
- extended duty cycle induction motor
- high alloy steel gear train
- H-insulation class
- visual position indication
- space heater is standard
- manual override standard: 1/2" - 1 1/2"
- working temperature: **-41°F to 140°F**
- ISO 9001, CS, CE and CSA-C US Certified
- RoHS compliant



Dimensions are approximate.

Engineering dimensions are available upon request. Specifications are subject to change without notice.

| Size | A | B | C | D | Override | Brass Part # |
|--------|------|-----|-----|-----|----------|--------------------|
| 1/2" | 8.8 | 4.5 | 3.1 | 2.6 | standard | BV2BV-05011 |
| 3/4" | 9.2 | 4.5 | 3.1 | 3.0 | standard | BV2BV-07511 |
| 1" | 9.4 | 4.5 | 3.1 | 3.4 | standard | BV2BV-10011 |
| 1 1/4" | 9.5 | 4.5 | 3.1 | 3.7 | standard | BV2BV-12511 |
| 1 1/2" | 8.7 | 4.5 | 3.1 | 4.1 | N/A | BV2BV-15011 |
| 2" | 9.0 | 4.5 | 3.1 | 4.8 | N/A | BV2BV-20011 |
| 3" | 11.8 | 6.1 | 5.4 | 6.9 | N/A | BV2BV-30011 |

A wide variety of options are available: modulating, extra switches, transmitters, potentiometer, etc.
Contact Dixon Sanitary at 800.789.1718 or visit dixonvalve.com for details.



Caution !

Even though there are torque safety factors built into our automated ball valve packages, actual service conditions must also be considered when selecting the proper product for the appropriate application.

For example: Severe service conditions such as dirty water, dirty air, all slurries, raw sewage water, oils, and other



Pneumatically Actuated Brass Ball Valves

Features:

2-Piece Brass Ball Valve

- brass ball
- FKM elastomers
- blow-out proof brass stem
- PTFE seats with double O-ring stem packing
- ISO 5211 mounting pad
- pressure rating: **600 PSI WOG - 150 PSI WSP**
- maximum temperature: **300°F**

Rack and Pinion Actuator

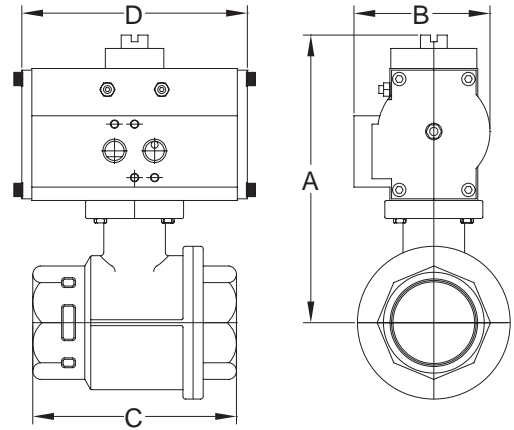
- hard anodized aluminum body
- nickel plated anti-blowout pinion
- Buna-N O-rings
- NAMUR mounting
- bi-directional stops for $\pm 5^\circ$ travel adjustment
- **80 PSI** plant air required
- visual position indication
- maximum operating pressure: **120 PSI**
- operating temperature range: **-40°F to 200°F**
- tested to one million cycles



Spring Return (normally closed)

All dimensions are given in inches, unless noted. Dimensions are approximate. Engineering dimensions are available upon request. Specifications are subject to change without notice.

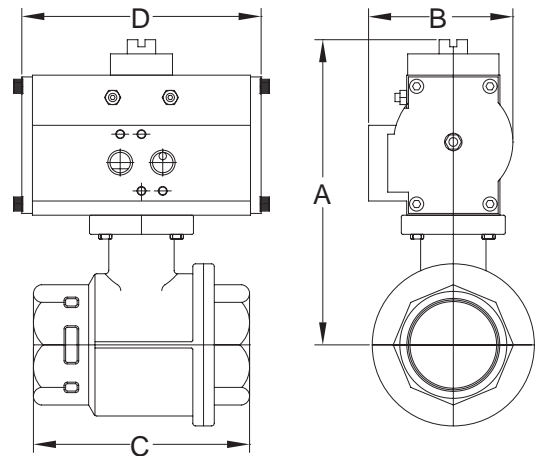
| Size | A | B | C | D | Brass Part # |
|--------|-------|------|------|------|------------------------|
| 1/4" | 4.80 | 2.80 | 2.64 | 5.49 | BV2BV-02511-BBC |
| 3/8" | 4.80 | 2.80 | 2.64 | 5.49 | BV2BV-03811-BBC |
| 1/2" | 4.80 | 2.80 | 2.64 | 5.49 | BV2BV-05011-BBC |
| 3/4" | 4.88 | 2.80 | 3.00 | 5.49 | BV2BV-07511-BBC |
| 1" | 5.31 | 2.80 | 3.35 | 5.49 | BV2BV-10011-BBC |
| 1 1/4" | 5.45 | 2.80 | 3.66 | 5.49 | BV2BV-12511-BBC |
| 1 1/2" | 6.04 | 2.80 | 4.13 | 5.49 | BV2BV-15011-BBC |
| 2" | 6.40 | 2.80 | 4.80 | 5.49 | BV2BV-20011-BBC |
| 2 1/2" | 8.13 | 3.74 | 6.10 | 8.09 | BV2BV-25011-BBC |
| 3" | 8.50 | 3.74 | 6.89 | 8.09 | BV2BV-30011-BBC |
| 4" | 10.14 | 4.69 | 8.03 | 9.84 | BV2BV-40011-BBC |



Double Acting

Dimensions are approximate. Engineering dimensions are available upon request. Specifications are subject to change without notice.

| Size | A | B | C | D | Brass Part # |
|--------|-------|------|------|------|------------------------|
| 1/4" | 3.84 | 1.77 | 2.64 | 4.33 | BV2BV-02511-BCC |
| 3/8" | 3.84 | 1.77 | 2.64 | 4.33 | BV2BV-03811-BCC |
| 1/2" | 3.84 | 1.77 | 2.64 | 4.33 | BV2BV-05011-BCC |
| 3/4" | 3.92 | 1.77 | 3.00 | 4.33 | BV2BV-07511-BCC |
| 1" | 4.35 | 1.77 | 3.35 | 4.33 | BV2BV-10011-BCC |
| 1 1/4" | 4.49 | 1.77 | 3.66 | 4.33 | BV2BV-12511-BCC |
| 1 1/2" | 6.42 | 3.20 | 4.13 | 5.68 | BV2BV-15011-BCC |
| 2" | 6.78 | 3.20 | 4.80 | 5.68 | BV2BV-20011-BCC |
| 2 1/2" | 8.13 | 3.74 | 6.10 | 5.87 | BV2BV-25011-BCC |
| 3" | 8.50 | 3.74 | 6.89 | 5.87 | BV2BV-30011-BCC |
| 4" | 10.14 | 4.69 | 8.03 | 7.20 | BV2BV-40011-BCC |



A wide variety of switches, solenoids, positioners, etc., are available. Contact Dixon Sanitary at 800.789.1718 or visit dixonvalve.com for details.



Caution !

Even though there are torque safety factors built into our automated ball valve packages, actual service conditions must also be considered when selecting the proper product for the appropriate application.

For example: Severe service conditions such as dirty water, dirty air, all slurries, raw sewage water, oils, and other



GOODYEAR
GOODYEARBELTING.COM

Call Toll Free: 1-866-711-4673
International: +1-727-342-5086

We Ship
World Wide

Electrically Actuated 3-Way Stainless Ball Valves - 'T / L' Port



See page 177 for flow path options.

Customer verification is critical. If flow path needs to be changed after being shipped, labor and shipping charges will apply.

For spring return actuators: must note fail position.

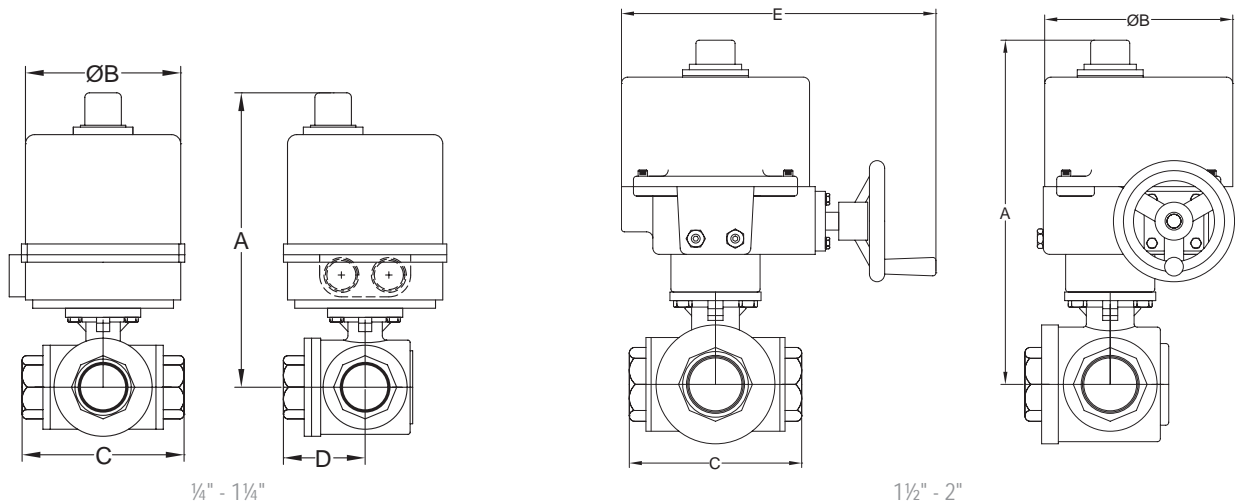
Features:

3-Way Stainless Ball Valve

- full port
- female NPT ends
- blow-out proof stem
- live-loaded stem packing
- ISO 5211 mounting pad
- 100% air tested under water at **80 PSI**
- working pressure: ¼" to 1": **1000 PSI**; 1¼" to 2": **800 PSI**
- temperature range: **-20°F to 300°F**

Electric Actuator

- lightweight powder coated aluminum alloy housing
- NEMA 4/4X waterproof and dustproof
- extended duty cycle induction motor
- high alloy steel gear train
- H-insulation class
- visual position indication
- space heater is standard
- manual override standard: ½" - 1½"
- working temperature: **-41°F to 140°F**
- ISO 9001, CS, CE and CSA-C US Certified
- RoHS compliant



Dimensions are approximate. Engineering dimensions are available upon request. Specifications are subject to change without notice.

* T = t style
* L = l style

| Size | A | B | C | D | E | Override | 316 Stainless Steel Part # |
|------|-------|------|------|------|-------|-----------|----------------------------|
| ¼" | 9.01 | 6.06 | 2.83 | 1.41 | N/A | standard | BV3IG*F-0251 |
| ⅜" | 9.01 | 6.06 | 2.83 | 1.41 | N/A | standard | BV3IG*F-0381 |
| ½" | 9.21 | 6.06 | 3.26 | 1.63 | N/A | standard | BV3IG*F-0501 |
| ¾" | 9.21 | 6.06 | 3.89 | 1.94 | N/A | standard | BV3IG*F-0751 |
| 1" | 9.74 | 6.06 | 4.40 | 2.20 | N/A | standard | BV3IG*F-1001 |
| 1¼" | 10.04 | 6.06 | 4.92 | 2.46 | N/A | standard | BV3IG*F-1251 |
| 1½" | 12.92 | 7.87 | 5.86 | 2.93 | 12.99 | handwheel | BV3IG*F-1501 |
| 2" | 13.67 | 7.87 | 6.85 | 3.42 | 12.99 | handwheel | BV3IG*F-2001 |

A wide variety of options are available: modulating, extra switches, transmitters, potentiometer, etc. Contact Dixon Sanitary at 800.789.1718 or visit dixonvalve.com for details.



Caution !

Even though there are torque safety factors built into our automated ball valve packages, actual service conditions must also be considered when selecting the proper product for the appropriate application. For example: Severe service conditions such as dirty water, dirty air, all slurries, raw sewage water, oils, and other



Pneumatically Actuated 3-Way Stainless Ball Valves - 'T / L' Port

Features:

3-Way Stainless Ball Valve

- full port
- female NPT ends
- RTFE Seats
- blow-out proof stem
- live-loaded stem packing
- ISO 5211 mounting pad
- 100% air tested under water at **80 PSI**
- working pressure: ¼" to 1": **1000 PSI**;
1¼" to 2": **800 PSI**
- temperature range: **-20°F to 300°F**

Rack and Pinion Actuator

- hard anodized aluminum body
- nickel plated anti-blowout pinion
- Buna-N O-rings
- NAMUR mounting
- bi-directional stops for ±5° travel adjustment
- **80 PSI** plant air required
- visual position indication
- maximum operating pressure: **120 PSI**
- operating temperature range: **-40°F to 200°F**
- tested to one million cycles

See page 177 for flow path options.

Customer verification is critical. If flow path needs to be changed after being shipped, labor and shipping charges will apply.

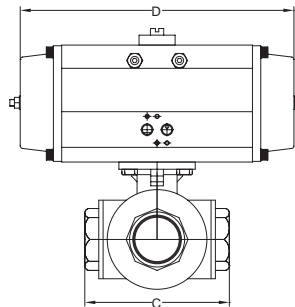
For spring return actuators: must note fail position.



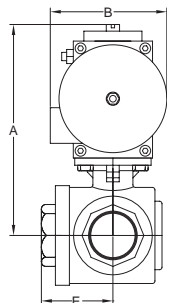
Spring Return (normally closed)

All dimensions are given in inches, unless noted. Dimensions are approximate. Engineering dimensions are available upon request. Specifications are subject to change without notice.

| Size | A | B | C | D | E | 316 Stainless Steel Part # |
|------|------|------|------|-------|------|----------------------------|
| ¼" | 5.35 | 3.20 | 2.83 | 7.10 | 1.41 | BV3IG*F-0251BBC |
| ⅜" | 5.35 | 3.20 | 2.83 | 7.10 | 1.41 | BV3IG*F-0381BBC |
| ½" | 5.55 | 3.20 | 3.26 | 7.10 | 1.63 | BV3IG*F-0501BBC |
| ¾" | 6.30 | 3.74 | 3.89 | 7.45 | 1.94 | BV3IG*F-0751BBC |
| 1" | 6.83 | 3.74 | 4.40 | 7.45 | 2.20 | BV3IG*F-1001BBC |
| 1¼" | 7.13 | 3.74 | 4.92 | 7.45 | 2.46 | BV3IG*F-1251BBC |
| 1½" | 8.43 | 4.69 | 5.86 | 9.10 | 2.93 | BV3IG*F-1501BBC |
| 2" | 9.97 | 5.53 | 6.85 | 12.99 | 3.42 | BV3IG*F-2001BBC |



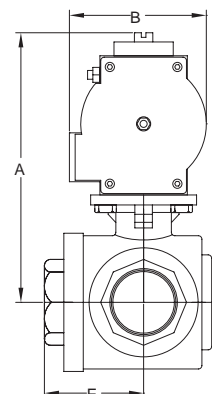
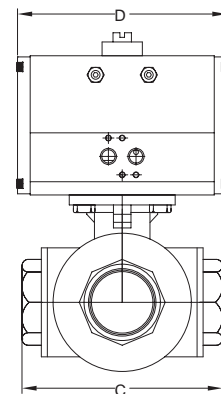
* T = t-style
* L = l-style



Double Acting

Dimensions are approximate. Engineering dimensions are available upon request. Specifications are subject to change without notice.

| Size | A | B | C | D | E | 316 Stainless Steel Part # |
|------|------|------|------|-------|------|----------------------------|
| ¼" | 5.35 | 3.20 | 2.83 | 7.10 | 1.41 | BV3IG*F-0251BCC |
| ⅜" | 5.35 | 3.20 | 2.83 | 7.10 | 1.41 | BV3IG*F-0381BCC |
| ½" | 5.55 | 3.20 | 3.26 | 7.10 | 1.63 | BV3IG*F-0501BCC |
| ¾" | 6.30 | 3.74 | 3.89 | 7.45 | 1.94 | BV3IG*F-0751BCC |
| 1" | 6.83 | 3.74 | 4.40 | 7.45 | 2.20 | BV3IG*F-1001BCC |
| 1¼" | 7.13 | 3.74 | 4.92 | 7.45 | 2.46 | BV3IG*F-1251BCC |
| 1½" | 8.43 | 4.69 | 5.86 | 9.10 | 2.93 | BV3IG*F-1501BCC |
| 2" | 9.97 | 5.53 | 6.85 | 12.99 | 3.42 | BV3IG*F-2001BCC |



T

A wide variety of switches, solenoids, positioners, etc., are available. Contact Dixon Sanitary at 800.789.1718 or visit dixonvalve.com for details.

Caution !

Even though there are torque safety factors built into our automated ball valve packages, actual service conditions must also be considered when selecting the proper product for the appropriate application.

For example: Severe service conditions such as dirty water, dirty air, all slurries, raw sewage water, oils, and other viscous fluids can have a dramatic effect in raising the torque requirements of ball valves as much as 75% and therefore larger actuators



Call Toll Free: 1-866-711-4673
International: + 1-727-342-5086



Electrically Actuated 3-Way Brass Ball Valves - 'T / L' Port



See page 177 for flow path options.

Customer verification is critical. If flow path needs to be changed after being shipped, labor and shipping charges will apply.

For spring return actuators: must note fail position.

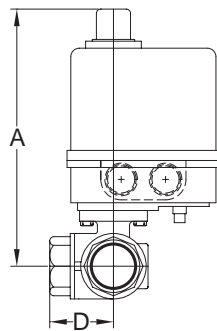
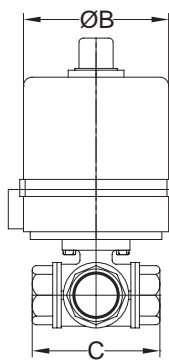
Features:

3-Way Brass Ball Valve

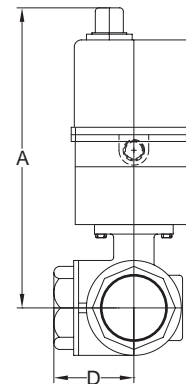
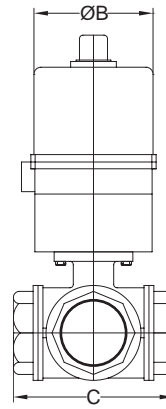
- reduced port
- blow-out proof stem
- chrome-plated brass ball
- PTFE seats with O-ring backing for low operating torque
- ISO 5211 mounting pad
- 100% tested
- pressure rating: **400 PSI WOG 100 PSI WSP**
- maximum temperature: **300°F**

Electric Actuator

- lightweight powder coated aluminum alloy housing
- NEMA 4/4X waterproof and dustproof
- extended duty cycle induction motor
- high alloy steel gear train
- H-insulation class
- visual position indication
- space heater is standard
- manual override standard: 1/2" - 1 1/2"
- working temperature: **-41°F to 140°F**
- ISO 9001, CS, CE and CSA-C US Certified
- RoHS compliant



1/4" - 1 1/4"



1 1/2" - 3"

Dimensions are approximate. Engineering dimensions are available upon request.
Specifications are subject to change without notice.

* T = t-style
* L = l-style

| Size | A | B | C | D | Override | Brass Part # |
|--------|-------|------|------|------|----------|---------------------|
| 1/4" | 8.76 | 6.06 | 2.64 | 1.32 | standard | BV3BV*R-0251 |
| 3/8" | 8.76 | 6.06 | 2.64 | 1.32 | standard | BV3BV*R-0381 |
| 1/2" | 8.76 | 6.06 | 2.87 | 1.44 | standard | BV3BV*R-0501 |
| 3/4" | 8.85 | 6.06 | 3.19 | 1.60 | standard | BV3BV*R-0751 |
| 1" | 9.19 | 6.06 | 3.74 | 1.87 | standard | BV3BV*R-1001 |
| 1 1/4" | 9.41 | 6.06 | 4.39 | 2.20 | standard | BV3BV*R-1251 |
| 1 1/2" | 9.90 | 6.06 | 4.86 | 2.43 | N/A | BV3BV*R-1501 |
| 2" | 10.89 | 4.25 | 5.73 | 2.87 | N/A | BV3BV*R-2001 |
| 2 1/2" | 11.34 | 4.25 | 6.93 | 3.47 | N/A | BV3BV*R-2501 |
| 3" | 11.34 | 4.25 | 7.08 | 3.54 | N/A | BV3BV*R-3001 |

A wide variety of options are available: modulating, extra switches, transmitters, potentiometer, etc.
Contact Dixon Sanitary at 800.789.1718 or visit dixonvalve.com for details.



Caution !

Even though there are torque safety factors built into our automated ball valve packages, actual service conditions must also be considered when selecting the proper product for the appropriate application.

For example: Severe service conditions such as dirty water, dirty air, all slurries, raw sewage water, oils, and other viscous fluids can have a dramatic effect in raising the torque requirements of ball valves as much as 75% and therefore larger actuators



Pneumatically Actuated 3-Way Brass Ball Valves - 'T / L' Port

Features:

3-Way Brass Ball Valve

- reduced port
- blow-out proof stem
- chrome-plated brass ball
- PTFE seats with O-ring backing for low operating torque
- ISO 5211 mounting pad
- 100% tested
- pressure rating: **400 PSI WOG 100 PSI WSP**
- maximum temperature: **300°F**

Rack and Pinion Actuator

- hard anodized aluminum body
- nickel plated anti-blowout pinion
- Buna-N O-rings
- NAMUR mounting
- bi-directional stops for $\pm 5^\circ$ travel adjustment
- 80 PSI plant air required
- visual position indication
- maximum operating pressure: **120 PSI**
- operating temperature range: **-40°F to 200°F**
- tested to one million cycles

See page 177 for flow path options.

Customer verification is critical. If flow path needs to be changed after being shipped, labor and shipping charges will apply.

For spring return actuators: must note fail position.

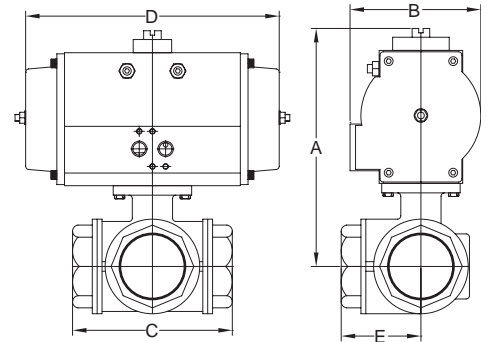


Spring Return (normally closed)

All dimensions are given in inches, unless noted. Dimensions are approximate. Engineering dimensions are available upon request. Specifications are subject to change without notice.

* T = t-style
* L = l-style

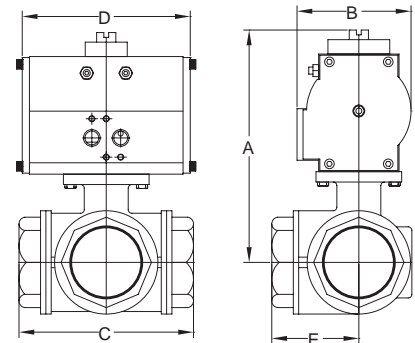
| Size | A | B | C | D | E | Brass Part # |
|--------|------|------|------|------|------|------------------------|
| 1/4" | 4.72 | 2.80 | 2.64 | 5.49 | 1.32 | BV3BV*R-0251BBC |
| 3/8" | 4.72 | 2.80 | 2.64 | 5.49 | 1.32 | BV3BV*R-0381BBC |
| 1/2" | 4.72 | 2.80 | 2.87 | 5.49 | 1.44 | BV3BV*R-0501BBC |
| 3/4" | 4.81 | 2.80 | 3.19 | 5.49 | 1.60 | BV3BV*R-0751BBC |
| 1" | 6.28 | 3.74 | 3.74 | 7.45 | 1.87 | BV3BV*R-1001BBC |
| 1 1/4" | 6.50 | 3.74 | 4.39 | 7.45 | 2.20 | BV3BV*R-1251BBC |
| 1 1/2" | 6.99 | 3.74 | 4.86 | 7.45 | 2.43 | BV3BV*R-1501BBC |
| 2" | 8.45 | 4.69 | 5.73 | 9.10 | 2.87 | BV3BV*R-2001BBC |
| 2 1/2" | 8.90 | 4.69 | 6.93 | 9.10 | 3.47 | BV3BV*R-2501BBC |
| 3" | 8.90 | 4.69 | 7.08 | 9.10 | 3.54 | BV3BV*R-3001BBC |



Double Acting

Dimensions are approximate. Engineering dimensions are available upon request. Specifications are subject to change without notice.

| Size | A | B | C | D | E | Brass Part # |
|--------|------|------|------|------|------|------------------------|
| 1/4" | 3.76 | 1.77 | 2.64 | 4.33 | 1.32 | BV3BV*R-0251BCC |
| 3/8" | 3.76 | 1.77 | 2.64 | 4.33 | 1.32 | BV3BV*R-0381BCC |
| 1/2" | 3.76 | 1.77 | 2.87 | 4.33 | 1.44 | BV3BV*R-0501BCC |
| 3/4" | 3.85 | 1.77 | 3.19 | 4.33 | 1.60 | BV3BV*R-0751BCC |
| 1" | 5.53 | 3.20 | 3.74 | 5.32 | 1.87 | BV3BV*R-1001BCC |
| 1 1/4" | 5.75 | 3.20 | 4.39 | 5.32 | 2.20 | BV3BV*R-1251BCC |
| 1 1/2" | 6.24 | 3.20 | 4.86 | 5.32 | 2.43 | BV3BV*R-1501BCC |
| 2" | 7.55 | 3.74 | 5.73 | 5.51 | 2.87 | BV3BV*R-2001BCC |
| 2 1/2" | 8.00 | 3.74 | 6.93 | 5.51 | 3.47 | BV3BV*R-2501BCC |
| 3" | 8.00 | 3.74 | 7.08 | 5.51 | 3.54 | BV3BV*R-3001BCC |



T

A wide variety of switches, solenoids, positioners, etc., are available. Contact Dixon Sanitary at 800.789.1718 or visit dixonvalve.com for details.



Caution !

Even though there are torque safety factors built into our automated ball valve packages, actual service conditions must also be considered when selecting the proper product for the appropriate application.

For example: Severe service conditions such as dirty water, dirty air, all slurries, raw sewage water, oils, and other



Ball Valve Automation Examples



Features:

- 2-way ball valve
- stainless steel, encapsulated, full port, PTFE
- clamp x clamp, manual handle
- NEMA 4 SPDT limit switch with 2 mechanical switches



Features:

- 2-way ball valve
- stainless steel, encapsulated, full port, PTFE
- clamp x clamp, rack and pinion, aluminum actuator, spring return, normally closed
- NEMA 4 SPDT limit switch with 2 mechanical switches



Features:

- 2-way ball valve
- stainless steel, encapsulated, full port, PTFE
- butt-weld x butt-weld, rack and pinion, aluminum actuator, spring return, normally closed
- NEMA 7 120VAC Namur mount solenoid, NEMA 7 SPDT limit switch with 2 mechanical switches



Features:

- 3-way ball valve
- T pattern, brass industrial, FNPT, PTFE, reduced port
- NEMA 4/4x 120VAC electric actuator



Features:

- 3-way ball valve
- L pattern, stainless steel, full port, PTFE
- clamp ends, rack and pinion, aluminum actuator, double acting
- NEMA 4 24VDC Namur mount solenoid, NEMA 4 SPDT limit switch

T

Dixon Sanitary Butterfly Valves

Product Specifications

Size range:

- ½" - 8" OD tube

Sanitary Valve Materials:

- 316 stainless steel

Seat Materials:

- Silicone
- EPDM
- FKM

Finish:

- 32R_a sanitary finish ID and OD

Butterfly Valve Selection



Index

| | | | |
|---------------------------------|---------|---------------------------|---------|
| 5101 series..... | 202-206 | Butterfly Valve Seat..... | 210 |
| 5102 series..... | 207-208 | Automation..... | 211 |
| Butterfly Valve Automation..... | 209 | B51 series..... | 212-213 |

B5101 Series **Butterfly Valves**

Product Specifications



Features:

- 100% hydraulic tested / 100% inspected
- all wetted surfaces are sanitary finished to < 32R_a
- field serviceable (no special tools required)
- seat materials available include: silicone, EPDM, FKM, (6" EPDM and silicone, 8" EPDM only)
- vacuum rating: 0.4 inches Hg at 68°F
- operating temperature range: 15°F to 200°F

Information supplied based on water media @ 68°F

| Size | Break Torque (in. lbs.) silicone | Break Torque (in. lbs.) EPDM | Break Torque (in. lbs.) FKM | Pressure Rating (PSI) | Flow Coefficient (CV) | Weight w/standard handle (lbs.) |
|------|-------------------------------------|---------------------------------|--------------------------------|--------------------------|--------------------------|------------------------------------|
| ½" | 20 | 75 | 70 | 140 | 7 | 2.2 |
| ¾" | 20 | 75 | 70 | 140 | 11 | 2.2 |
| 1" | 20 | 75 | 70 | 140 | 23 | 2.2 |
| 1½" | 40 | 130 | 125 | 140 | 80 | 2.9 |
| 2" | 55 | 165 | 175 | 140 | 230 | 3.5 |
| 2½" | 70 | 210 | 220 | 110 | 264 | 3.7 |
| 3" | 165 | 350 | 310 | 110 | 372 | 4.4 |
| 4" | 350 | 540 | 450 | 85 | 800 | 9.0 |
| 6" | 700 | 1550 | n/a | 60 | 1200 | 18.5 |
| 8" | n/a | 1650 | n/a | 60 | 2800 | 13.6 |

Note: Handle is not assembled when shipped.

Please request with handle assembled on the valve when placing your order.

U

B5101 Series Butterfly Valve with Pull Handle

Part Numbers Clamp End

| Size | 316 stainless steel with Silicone seats | 316 stainless steel with EPDM seats | 316 stainless steel with FKM seats |
|-----------------|---|-------------------------------------|------------------------------------|
| 1/2" | B5101S050CC-A | B5101E050CC-A | B5101V050CC-A |
| 3/4" | B5101S075CC-A | B5101E075CC-A | B5101V075CC-A |
| 1" | B5101S100CC-A | B5101E100CC-A | B5101V100CC-A |
| 1 1/2" | B5101S150CC-A | B5101E150CC-A | B5101V150CC-A |
| 2" | B5101S200CC-A | B5101E200CC-A | B5101V200CC-A |
| 2 1/2" | B5101S250CC-A | B5101E250CC-A | B5101V250CC-A |
| 3" | B5101S300CC-A | B5101E300CC-A | B5101V300CC-A |
| 4" ¹ | B5101S400CC-A | B5101E400CC-A | B5101V400CC-A |
| 6" | B5101S600CC-A | B5101E600CC-A | --- |
| 8" | --- | B5101E800CC-A | --- |

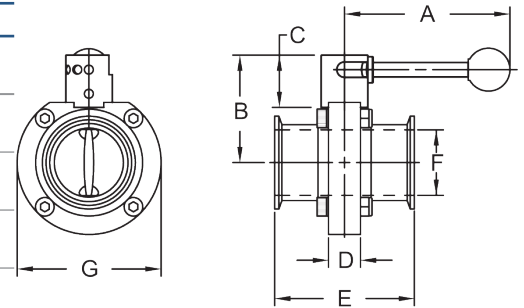
¹ high pressure 4" butterfly is available, call Dixon Sanitary for more information

Note: Handle is not assembled when shipped. Please request with handle assembled on the valve when placing your order.



Dimensions

| Size | A | B | C | D | E | F | G |
|--------|------|-----|-----|-----|-----|-----|------|
| 1/2" | 4.4 | 2.8 | 1.4 | 0.9 | 3.5 | .37 | 3.1 |
| 3/4" | 4.4 | 2.8 | 1.4 | 0.9 | 3.5 | .62 | 3.1 |
| 1" | 4.4 | 2.8 | 1.4 | 0.9 | 3.5 | 0.9 | 3.1 |
| 1 1/2" | 4.4 | 2.8 | 1.4 | 0.9 | 3.5 | 1.4 | 3.1 |
| 2" | 4.4 | 3.1 | 1.4 | 0.9 | 3.8 | 1.9 | 3.9 |
| 2 1/2" | 4.4 | 3.5 | 1.4 | 0.9 | 3.8 | 2.4 | 4.6 |
| 3" | 6.2 | 3.8 | 1.3 | 1.2 | 4.1 | 2.9 | 5.2 |
| 4" | 6.2 | 4.5 | 1.3 | 1.2 | 4.8 | 3.8 | 6.7 |
| 6" | 11.5 | 5.5 | 1.3 | 1.2 | 5.5 | 5.8 | 8.5 |
| 8" | 18.0 | 6.9 | 1.6 | 1.2 | 4.9 | 7.8 | 11.2 |



B5101 Series Butterfly Valve with Pull Handle

Part Numbers Weld End

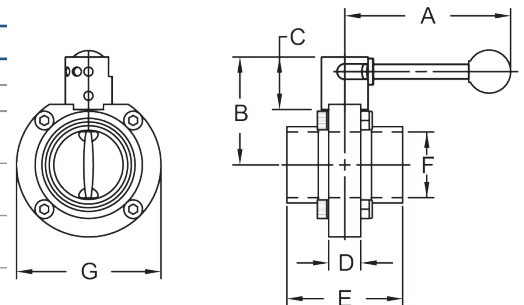
| Size | 316 stainless steel with Silicone seats | 316 stainless steel with EPDM seats | 316 stainless steel with FKM seats |
|--------|---|-------------------------------------|------------------------------------|
| 1/2" | B5101S050BB-A | B5101E050BB-A | B5101V050BB-A |
| 3/4" | B5101S075BB-A | B5101E075BB-A | B5101V075BB-A |
| 1" | B5101S100BB-A | B5101E100BB-A | B5101V100BB-A |
| 1 1/2" | B5101S150BB-A | B5101E150BB-A | B5101V150BB-A |
| 2" | B5101S200BB-A | B5101E200BB-A | B5101V200BB-A |
| 2 1/2" | B5101S250BB-A | B5101E250BB-A | B5101V250BB-A |
| 3" | B5101S300BB-A | B5101E300BB-A | B5101V300BB-A |
| 4" | B5101S400BB-A | B5101E400BB-A | B5101V400BB-A |
| 6" | B5101S600BB-A | B5101E600BB-A | --- |
| 8" | --- | B5101E800BB-A | --- |

Note: Handle is not assembled when shipped. Please request with handle assembled on the valve when placing your order.



Dimensions

| Size | A | B | C | D | E | F | G |
|--------|------|-----|-----|-----|-----|-----|------|
| 1/2" | 4.3 | 2.6 | 1.3 | 0.9 | 1.9 | .37 | 3.1 |
| 3/4" | 4.3 | 2.6 | 1.3 | 0.9 | 1.9 | .62 | 3.1 |
| 1" | 4.4 | 2.8 | 1.4 | 0.9 | 1.9 | 0.9 | 3.1 |
| 1 1/2" | 4.4 | 2.8 | 1.4 | 0.9 | 1.9 | 1.4 | 3.1 |
| 2" | 4.4 | 3.1 | 1.4 | 0.9 | 2.0 | 1.9 | 3.9 |
| 2 1/2" | 4.4 | 3.5 | 1.4 | 0.9 | 2.1 | 2.4 | 4.6 |
| 3" | 6.2 | 3.8 | 1.3 | 1.2 | 2.5 | 2.9 | 5.2 |
| 4" | 6.2 | 4.5 | 1.3 | 1.2 | 3.1 | 3.8 | 6.7 |
| 6" | 11.5 | 5.5 | 1.3 | 1.2 | 5.5 | 5.8 | 8.5 |
| 8" | 18.0 | 6.9 | 1.6 | 1.2 | 4.9 | 7.8 | 11.2 |



U

B5101 Series Butterfly Valve with Infinite Handle

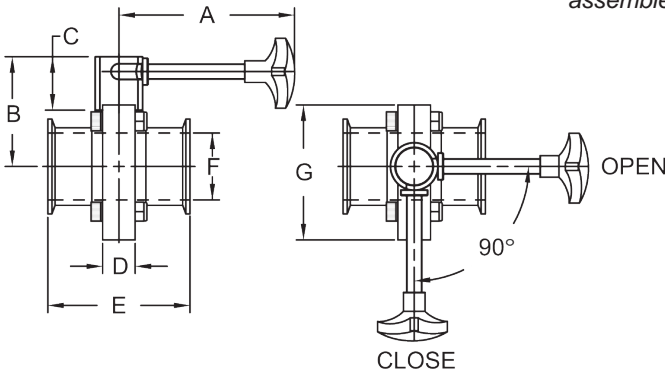
Clamp End



Part Numbers

| Size | 316 stainless steel with Silicone seats | 316 stainless steel with EPDM seats | 316 stainless steel with FKM seats |
|------|---|-------------------------------------|------------------------------------|
| ½" | B5101S050CC-B | B5101E050CC-B | B5101V050CC-B |
| ¾" | B5101S075CC-B | B5101E075CC-B | B5101V075CC-B |
| 1" | B5101S100CC-B | B5101E100CC-B | B5101V100CC-B |
| 1½" | B5101S150CC-B | B5101E150CC-B | B5101V150CC-B |
| 2" | B5101S200CC-B | B5101E200CC-B | B5101V200CC-B |
| 2½" | B5101S250CC-B | B5101E250CC-B | B5101V250CC-B |
| 3" | B5101S300CC-B | B5101E300CC-B | B5101V300CC-B |
| 4" | B5101S400CC-B | B5101E400CC-B | B5101V400CC-B |

Note: Handle is not assembled when shipped. Please request with handle assembled on the valve when placing your order.



Dimensions

| Size | A | B | C | D | E | F | G |
|------|-----|-----|-----|-----|-----|------|-----|
| ½" | 4.3 | 2.6 | 1.3 | 0.9 | 3.5 | 0.37 | 3.1 |
| ¾" | 4.3 | 2.6 | 1.3 | 0.9 | 3.5 | 0.62 | 3.1 |
| 1" | 4.3 | 2.6 | 1.3 | 0.9 | 3.5 | 0.9 | 3.1 |
| 1½" | 4.3 | 2.6 | 1.3 | 0.9 | 3.5 | 1.4 | 3.1 |
| 2" | 4.3 | 2.9 | 1.3 | 0.9 | 3.8 | 1.9 | 3.1 |
| 2½" | 4.3 | 3.3 | 1.3 | 0.9 | 3.8 | 2.4 | 4.6 |
| 3" | 6.4 | 3.6 | 1.3 | 1.2 | 4.1 | 2.9 | 5.2 |
| 4" | 6.4 | 4.4 | 1.3 | 1.2 | 4.8 | 3.8 | 6.7 |

B5101 Series Butterfly Valve with Infinite Handle

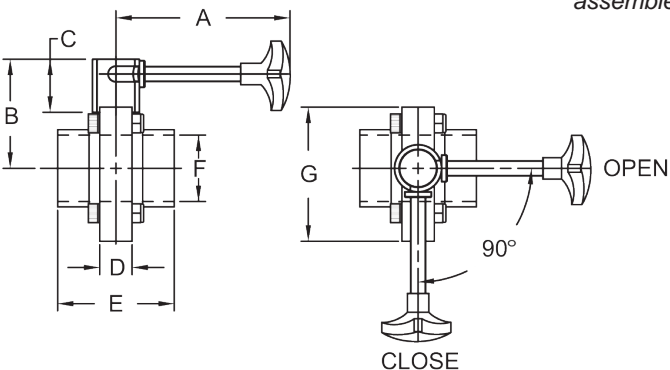
Weld End



Part Numbers

| Size | 316 stainless steel with Silicone seats | 316 stainless steel with EPDM seats | 316 stainless steel with FKM seats |
|------|---|-------------------------------------|------------------------------------|
| ½" | B5101S050BB-B | B5101E050BB-B | B5101V050BB-B |
| ¾" | B5101S075BB-B | B5101E075BB-B | B5101V075BB-B |
| 1" | B5101S100BB-B | B5101E100BB-B | B5101V100BB-B |
| 1½" | B5101S150BB-B | B5101E150BB-B | B5101V150BB-B |
| 2" | B5101S200BB-B | B5101E200BB-B | B5101V200BB-B |
| 2½" | B5101S250BB-B | B5101E250BB-B | B5101V250BB-B |
| 3" | B5101S300BB-B | B5101E300BB-B | B5101V300BB-B |
| 4" | B5101S400BB-B | B5101E400BB-B | B5101V400BB-B |

Note: Handle is not assembled when shipped. Please request with handle assembled on the valve when placing your order.



Dimensions

| Size | A | B | C | D | E | F | G |
|------|-----|-----|-----|-----|-----|------|-----|
| ½" | 4.3 | 2.6 | 1.3 | 0.9 | 1.9 | 0.37 | 3.1 |
| ¾" | 4.3 | 2.6 | 1.3 | 0.9 | 1.9 | 0.62 | 3.1 |
| 1" | 4.3 | 2.6 | 1.3 | 0.9 | 1.9 | 0.9 | 3.1 |
| 1½" | 4.3 | 2.6 | 1.3 | 0.9 | 1.9 | 1.4 | 3.1 |
| 2" | 4.3 | 2.9 | 1.3 | 0.9 | 2.0 | 1.9 | 3.1 |
| 2½" | 4.3 | 3.3 | 1.3 | 0.9 | 2.1 | 2.4 | 4.6 |
| 3" | 6.4 | 3.6 | 1.3 | 1.2 | 2.5 | 2.9 | 5.2 |
| 4" | 6.4 | 4.4 | 1.3 | 1.2 | 3.1 | 3.8 | 6.7 |

All dimensions are in inches unless otherwise noted. Engineering dimensions are available upon request.

B5101 Series Butterfly Valve with Trigger Handle

Clamp End

Feature:

- lockout / tagout handle

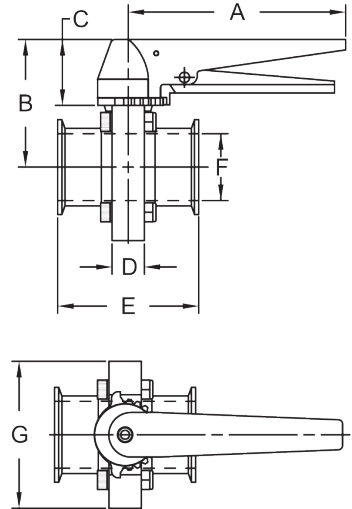
Part Numbers

| Size | 316 stainless steel with Silicone seats | 316 stainless steel with EPDM seats | 316 stainless steel with FKM seats |
|--------|---|-------------------------------------|------------------------------------|
| 1/2" | B5101S050CC-C | B5101E050CC-C | B5101V050CC-C |
| 3/4" | B5101S075CC-C | B5101E075CC-C | B5101V075CC-C |
| 1" | B5101S100CC-C | B5101E100CC-C | B5101V100CC-C |
| 1 1/2" | B5101S150CC-C | B5101E150CC-C | B5101V150CC-C |
| 2" | B5101S200CC-C | B5101E200CC-C | B5101V200CC-C |
| 2 1/2" | B5101S250CC-C | B5101E250CC-C | B5101V250CC-C |
| 3" | B5101S300CC-C | B5101E300CC-C | B5101V300CC-C |
| 4" | B5101S400CC-C | B5101E400CC-C | B5101V400CC-C |

Note: Handle is not assembled when shipped. Please request with handle assembled on the valve when placing your order.

Dimensions

| Size | A | B | C | D | E | F | G |
|--------|-----|-----|-----|-----|-----|------|-----|
| 1/2" | 6.6 | 3.0 | 1.7 | 0.9 | 3.5 | 0.37 | 3.1 |
| 3/4" | 6.6 | 3.0 | 1.7 | 0.9 | 3.5 | 0.62 | 3.1 |
| 1" | 6.6 | 3.0 | 1.7 | 0.9 | 3.5 | 0.9 | 3.1 |
| 1 1/2" | 6.6 | 3.0 | 1.7 | 0.9 | 3.5 | 1.4 | 3.1 |
| 2" | 6.6 | 3.5 | 1.7 | 0.9 | 3.8 | 1.9 | 3.1 |
| 2 1/2" | 6.6 | 3.7 | 1.7 | 0.9 | 3.8 | 2.4 | 4.6 |
| 3" | 6.6 | 3.9 | 1.7 | 1.2 | 4.1 | 2.9 | 5.2 |
| 4" | 6.6 | 4.8 | 1.7 | 1.2 | 4.8 | 3.8 | 6.7 |



B5101 Series Butterfly Valve with Trigger Handle

Weld End

Feature:

- lockout / tagout handle

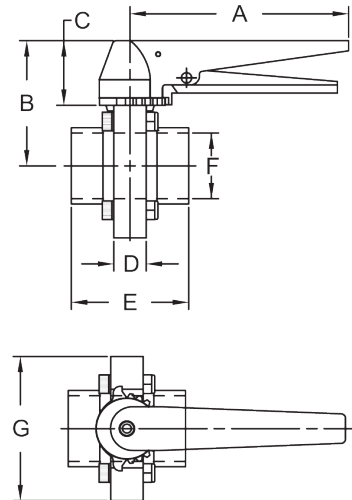
Part Numbers

| Size | 316 stainless steel with Silicone seats | 316 stainless steel with EPDM seats | 316 stainless steel with FKM seats |
|--------|---|-------------------------------------|------------------------------------|
| 1/2" | B5101S050BB-C | B5101E050BB-C | B5101V050BB-C |
| 3/4" | B5101S075BB-C | B5101E075BB-C | B5101V075BB-C |
| 1" | B5101S100BB-C | B5101E100BB-C | B5101V100BB-C |
| 1 1/2" | B5101S150BB-C | B5101E150BB-C | B5101V150BB-C |
| 2" | B5101S200BB-C | B5101E200BB-C | B5101V200BB-C |
| 2 1/2" | B5101S250BB-C | B5101E250BB-C | B5101V250BB-C |
| 3" | B5101S300BB-C | B5101E300BB-C | B5101V300BB-C |
| 4" | B5101S400BB-C | B5101E400BB-C | B5101V400BB-C |

Note: Handle is not assembled when shipped. Please request with handle assembled on the valve when placing your order.

Dimensions

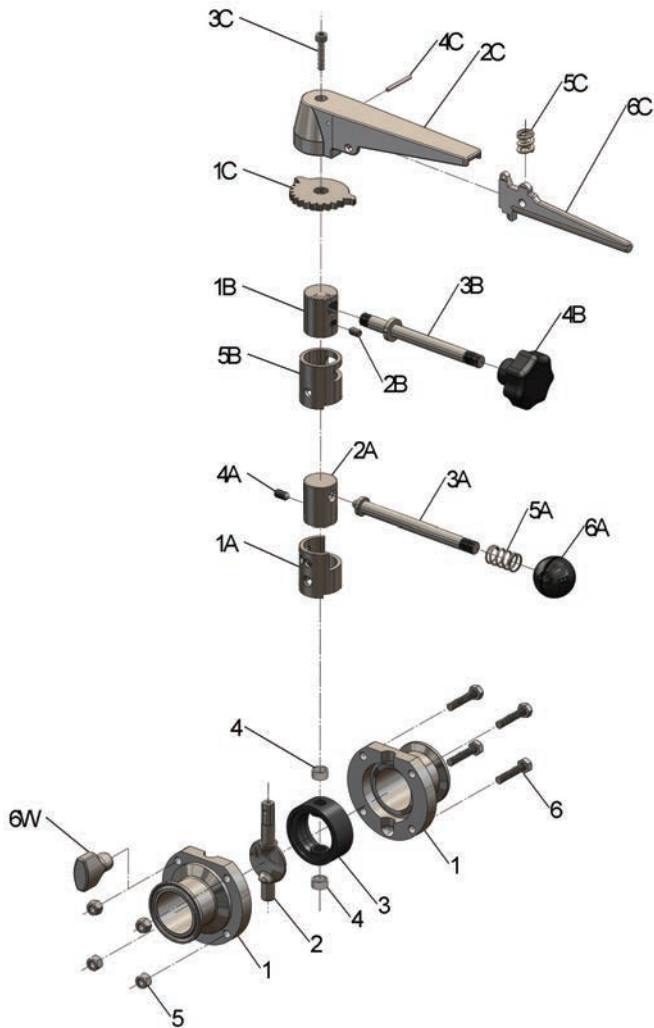
| Size | A | B | C | D | E | F | G |
|--------|-----|-----|-----|-----|-----|------|-----|
| 1/2" | 6.6 | 3.0 | 1.7 | 0.9 | 1.9 | 0.37 | 3.1 |
| 3/4" | 6.6 | 3.0 | 1.7 | 0.9 | 1.9 | 0.62 | 3.1 |
| 1" | 6.6 | 3.0 | 1.7 | 0.9 | 1.9 | 0.9 | 3.1 |
| 1 1/2" | 6.6 | 3.0 | 1.7 | 0.9 | 1.9 | 1.4 | 3.1 |
| 2" | 6.6 | 3.5 | 1.7 | 0.9 | 2.0 | 1.9 | 3.9 |
| 2 1/2" | 6.6 | 3.7 | 1.7 | 0.9 | 2.1 | 2.4 | 4.6 |
| 3" | 6.6 | 3.9 | 1.7 | 1.2 | 2.5 | 2.9 | 5.2 |
| 4" | 6.6 | 4.8 | 1.7 | 1.2 | 3.1 | 2.9 | 6.7 |



U

B5101 Series Butterfly Valves

Bill of Materials



| Item | Description | Material | Quantity |
|------------------------|-------------------|-------------------------|----------|
| Trigger Handle | | | |
| 1C | sprocket | CF8 | 1 |
| 2C | handle | CF8 | 1 |
| 3C | hex socket bolt | 304 | 1 |
| 4C | pin | 304 | 1 |
| 5C | spring | 304 | 1 |
| 6C | trigger | CF8 | 1 |
| Infinite Handle | | | |
| 1B | hub | CF8 | 1 |
| 2B | hex socket screw | 304 | 1 |
| 3B | handle shaft | 304 | 1 |
| 4B | knob | polymer | 1 |
| 5B | hub housing | CF8 | 1 |
| Pull Handle | | | |
| 1A | hub housing | CF8 | 1 |
| 2A | hub | CF8 | 1 |
| 3A | handle shaft | 304 | 1 |
| 4A | hex socket screw | 304 | 1 |
| 5A | spring | 304 | 1 |
| 6A | knob | polymer | 1 |
| Valve | | | |
| 1 | body half | 316 | 2 |
| 2 | disc | 316 | 1 |
| 3 | seat | silicone EPDM FKM | 1 |
| 4 | bushing | polyacetal | 2 |
| 5 | hex nut | 304 | 4 * |
| 6 | bolt | 304 | 4 * |
| 6W | optional wing nut | 304 | 4 * |

* 4" and 8" valves have 6 bolts and nuts
6" valve has 8 bolts and nuts

Repair Kits

| Size | Red Silicone | Black EPDM | Brown FKM |
|-------|---------------------|---------------------|---------------------|
| ½"-1" | B5101-RKS100 | B5101-RKE100 | B5101-RKV100 |
| 1½" | B5101-RKS150 | B5101-RKE150 | B5101-RKV150 |
| 2" | B5101-RKS200 | B5101-RKE200 | B5101-RKV200 |
| 2½" | B5101-RKS250 | B5101-RKE250 | B5101-RKV250 |
| 3" | B5101-RKS300 | B5101-RKE300 | B5101-RKV300 |
| 4" | B5101-RKS400 | B5101-RKE400 | B5101-RKV400 |
| 6" | B5101-RKS600 | B5101-RKE600 | --- |
| 8" | --- | B5101-RKE800 | --- |

Repair Kit contains:
(1) seat
(2) bushings

U

B5102 Series Butterfly Valves

Product Specifications

Information supplied based on water media @ 68°F

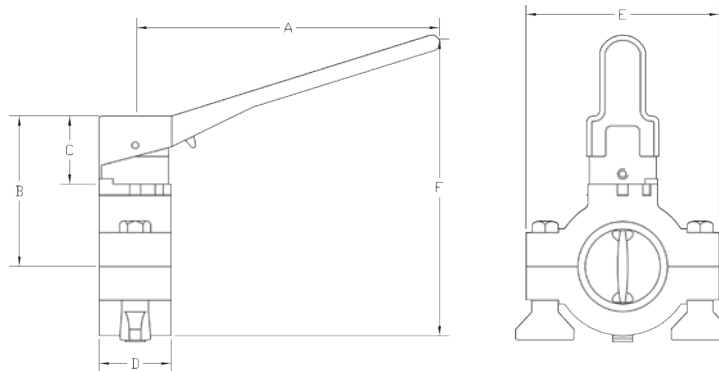
| Size | Break Torque (in-lbs.) | Assembly Torque (in-lbs.) | Pressure Rating (PSI) | Flow Coefficient (C _v) | Weight w/ standard handle (lbs.) |
|------|------------------------|---------------------------|-----------------------|------------------------------------|----------------------------------|
| 1" | 125 | 36 | 140 | 23 | 1.5 |
| 1½" | 185 | 36 | 140 | 80 | 2 |
| 2" | 200 | 21.6 | 120 | 230 | 2.5 |
| 2½" | 260 | 21.6 | 120 | 264 | 3 |
| 3" | 350 | 28.8 | 100 | 372 | 4 |
| 4" | 495 | 43.2 | 70 | 800 | 6 |

Features:

- all wetted surfaces are sanitary finish 316L stainless steel
- all sizes use only ¾" of line space
- the grooved clamp housing connects directly to the corresponding sanitary clamp size
- PTFE valve disc bushings reduce friction and increase cycle life
- 3-position reversible handle
- 100% tested / 100% inspected
- field serviceable (no special tools required)
- seat materials available include: silicone, EPDM, FKM
- can be modified for lockout / tagout
- various automatic operations available
- vacuum rating: 0.4 inches Hg @ 68°F
- operating temperature range: 15°F to 200°F

Part Numbers

| Size | 316L stainless steel with Silicone seats | 316L stainless steel with EPDM seats | 316L stainless steel with FKM seats |
|------|--|--------------------------------------|-------------------------------------|
| 1" | B5102S100-A | B5102E100-A | B5102V100-A |
| 1½" | B5102S150-A | B5102E150-A | B5102V150-A |
| 2" | B5102S200-A | B5102E200-A | B5102V200-A |
| 2½" | B5102S250-A | B5102E250-A | B5102V250-A |
| 3" | B5102S300-A | B5102E300-A | B5102V300-A |
| 4" | B5102S400-A | B5102E400-A | B5102V400-A |



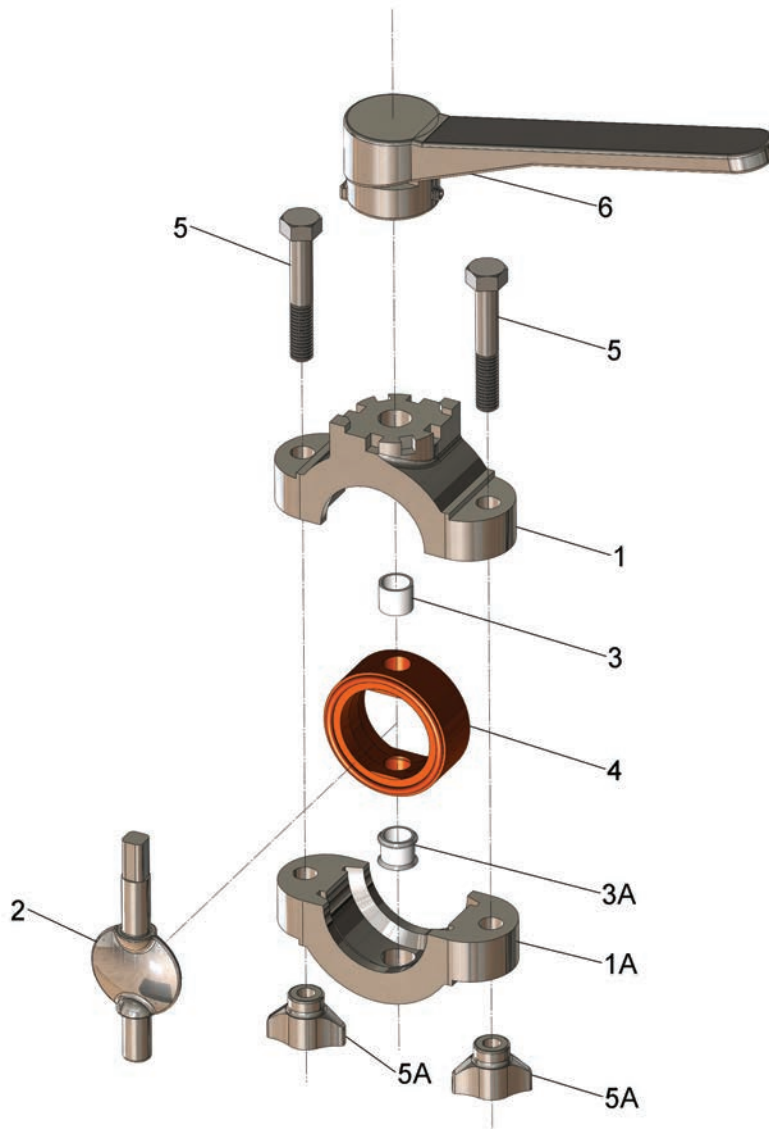
Dimensions

| Size | A | B | C | D | E | F |
|------|-----|-----|-----|-----|-----|-----|
| 1" | 5.6 | 2.8 | 1.3 | 1.3 | 3.6 | 5.6 |
| 1½" | 5.6 | 2.8 | 1.3 | 1.3 | 3.6 | 5.6 |
| 2" | 5.6 | 3.0 | 1.3 | 1.3 | 4.1 | 6.1 |
| 2½" | 5.6 | 3.3 | 1.3 | 1.3 | 4.6 | 6.6 |
| 3" | 5.6 | 3.6 | 1.3 | 1.3 | 5.3 | 7.1 |
| 4" | 5.6 | 4.1 | 1.3 | 1.3 | 6.4 | 8.2 |

All dimensions are in inches unless otherwise noted. Engineering dimensions are available upon request. Specifications are subject to change without notice.

B5102 Series Butterfly Valves

Bill of Materials



| Item # | Description | Material | Quantity |
|--------|-----------------|---------------------|----------|
| 1 | upper body half | CF8, stainless | 1 |
| 1A | lower body half | CF8, stainless | 1 |
| 2 | disc | 316L stainless | 1 |
| 3 | upper bushing | PTFE | 1 |
| 3A | lower bushing | PTFE | 1 |
| 4 | seat | silicone, EPDM, FKM | 1 |
| 5 | bolts | 304 stainless | 2 |
| 5A | wing nuts | 304 stainless | 2 |
| 6 | handle | CF8, Stainless | 1 |

U

Repair Kits

| Size | Red Silicone | Black EPDM | Brown FKM |
|------|---------------------|---------------------|---------------------|
| 1" | B5102-RKS100 | B5102-RKE100 | B5102-RKV100 |
| 1½" | B5102-RKS150 | B5102-RKE150 | B5102-RKV150 |
| 2" | B5102-RKS200 | B5102-RKE200 | B5102-RKV200 |
| 2½" | B5102-RKS250 | B5102-RKE250 | B5102-RKV250 |

Repair kit contains:
 (1) seat
 (2) bushings

GOODYEAR
 GOODYEARBELTING.COM

Call Toll Free: 1-866-711-4673
International: +1-727-342-5086

**We Ship
 World Wide**

Butterfly Valve Automation

Butterfly Valve with Stainless Steel Vertical Spring Return Actuation

- Silicone and FKM elastomers also available
- other end configurations are available
- Each pneumatically actuated butterfly valve is shipped fully assembled, including pneumatic actuator and mounting bracket assembly.

Butterfly Valve with EPDM seats and a vertical spring return normally closed pneumatic canister style actuator

| Valve Size | Valve Style | |
|------------|----------------------|--------------------|
| | B5101 | B5102 |
| 1/2" | B5101E050CC-G | n/a |
| 3/4" | B5101E075CC-G | n/a |
| 1" | B5101E100CC-G | B5102E100-G |
| 1 1/2" | B5101E150CC-G | B5102E150-G |
| 2" | B5101E200CC-G | B5102E200-G |
| 2 1/2" | B5101E250CC-G | B5102E250-G |
| 3" | B5101E300CC-G | B5102E300-G |
| 4" | B5101E400CC-G | B5102E400-G |

Butterfly Valve with EPDM seats and a vertical spring return normally open pneumatic canister style actuator

| Valve Size | Valve Style | |
|------------|----------------------|--------------------|
| | B5101 | B5102 |
| 1/2" | B5101E050CC-F | n/a |
| 3/4" | B5101E075CC-F | n/a |
| 1" | B5101E100CC-F | B5102E100-F |
| 1 1/2" | B5101E150CC-F | B5102E150-F |
| 2" | B5101E200CC-F | B5102E200-F |
| 2 1/2" | B5101E250CC-F | B5102E250-F |
| 3" | B5101E300CC-F | B5102E300-F |
| 4" | B5101E400CC-F | B5102E400-F |

Butterfly Valve with EPDM seats and a vertical double acting pneumatic canister style actuator

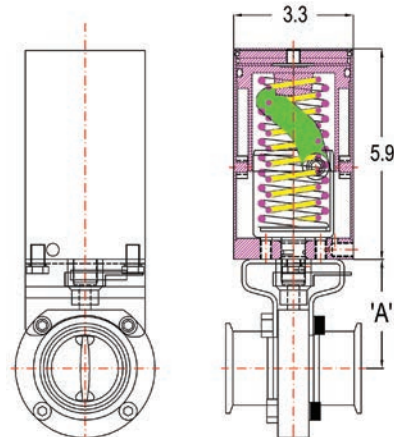
| Valve Size | Valve Style | |
|------------|----------------------|--------------------|
| | B5101 | B5102 |
| 1/2" | B5101E050CC-H | n/a |
| 3/4" | B5101E075CC-H | n/a |
| 1" | B5101E100CC-H | B5102E100-H |
| 1 1/2" | B5101E150CC-H | B5102E150-H |
| 2" | B5101E200CC-H | B5102E200-H |
| 2 1/2" | B5101E250CC-H | B5102E250-H |
| 3" | B5101E300CC-H | B5102E300-H |
| 4" | B5101E400CC-H | B5102E400-H |



Dimensions

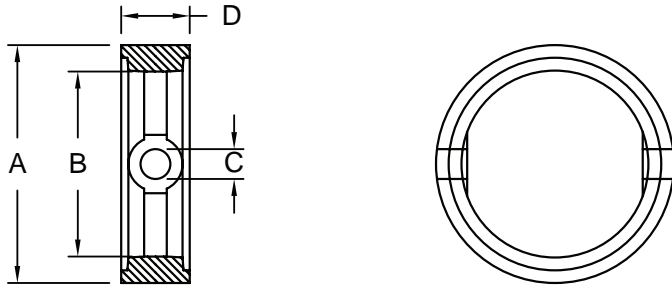
Dimension 'A'

| Valve Size | Valve Style | |
|------------|-------------|-------|
| | B5101 | B5102 |
| 1/2" - 1" | 2.7 | 2.5 |
| 1 1/2" | 2.7 | 2.5 |
| 2" | 3.1 | 2.9 |
| 2 1/2" | 3.5 | 3.2 |
| 3" | 3.7 | 3.4 |
| 4" | 4.5 | 4.0 |



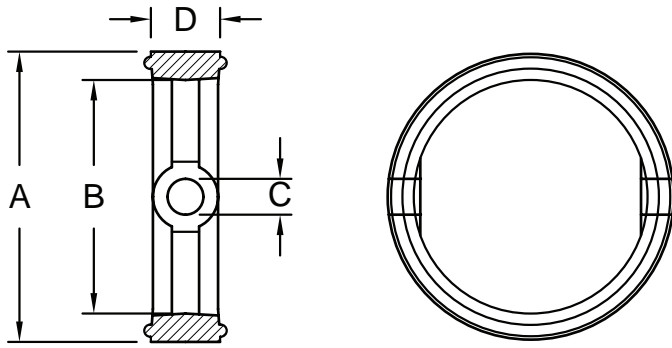
U

Butterfly Valve Seat Dimensions



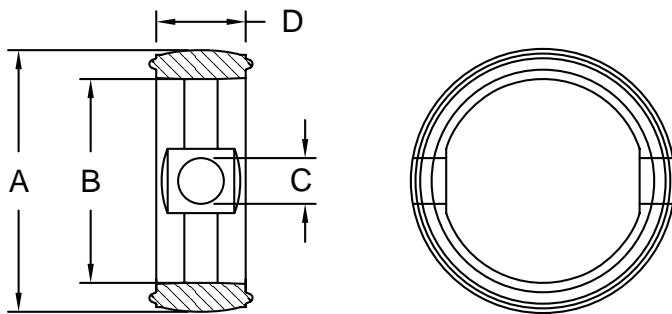
B5101 Seat Dimensions

| Size | A | B | C | D |
|-----------|------|------|------|------|
| 1/2" - 1" | 1.42 | 0.83 | 0.37 | 0.77 |
| 1 1/2" | 1.93 | 1.34 | 0.37 | 0.77 |
| 2" | 2.56 | 1.73 | 0.37 | 0.78 |
| 2 1/2" | 3.03 | 2.35 | 0.46 | 0.91 |
| 3" | 3.66 | 2.80 | 0.55 | 1.10 |
| 4" | 4.96 | 3.86 | 0.62 | 1.43 |
| 6" | 6.83 | 5.79 | 0.62 | 1.70 |
| 8" | 9.32 | 7.89 | 0.67 | 1.59 |



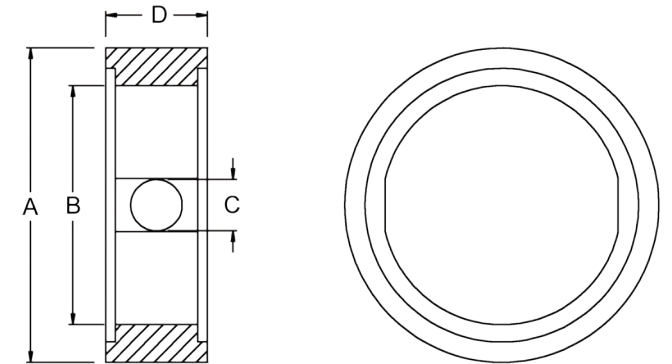
B5102 Seat Dimensions

| Size | A | B | C | D |
|--------|------|------|------|------|
| 1" | 1.87 | 0.86 | 0.37 | 0.66 |
| 1 1/2" | 1.87 | 1.32 | 0.37 | 0.66 |
| 2" | 2.42 | 1.89 | 0.37 | 0.66 |
| 2 1/2" | 2.94 | 2.30 | 0.37 | 0.66 |
| 3" | 3.44 | 2.83 | 0.43 | 0.66 |
| 4" | 4.52 | 3.81 | 0.43 | 0.66 |



B5104 Seat Dimensions

| Size | A | B | C | D |
|--------|------|------|------|------|
| 1" | 1.41 | 0.83 | 0.43 | 0.83 |
| 1 1/2" | 2.21 | 1.36 | 0.43 | 0.85 |
| 2" | 2.48 | 1.93 | 0.43 | 0.85 |
| 2 1/2" | 3.04 | 2.34 | 0.43 | 0.85 |
| 3" | 3.50 | 2.84 | 0.43 | 0.85 |
| 4" | 4.61 | 3.84 | 0.43 | 0.85 |



B5115 Seat Dimensions

| Size | A | B | C | D |
|--------|-------|-------|-------|-------|
| 1" | 1.476 | 0.866 | 0.374 | 0.846 |
| 1 1/2" | 2.047 | 1.417 | 0.354 | 0.736 |
| 2" | 2.637 | 2.007 | 0.433 | 0.854 |
| 2 1/2" | 3.070 | 2.382 | 0.433 | 0.933 |
| 3" | 3.543 | 2.834 | 0.433 | 0.906 |
| 4" | 4.763 | 3.976 | 0.496 | 1.102 |

U

Butterfly Valve Automation Examples



Features:

- B5101 butterfly valve, clamp x clamp, stainless steel vertical canister, spring return, normally closed
- (1) 10-30VDC proximity sensor



Features:

- B5101 butterfly valve, clamp x clamp, stainless steel vertical canister, double acting



Features:

- B5102 butterfly valve, stainless steel horizontal actuator, double acting
- NEMA 4/4X 3-15PSI pneumatic positioner



Features:

- B5101 butterfly valve, clamp x clamp, stainless steel rack and pinion actuator, spring return



Features:

- B5101 butterfly valve, clamp x clamp
- standard 4-position handle with a NEMA 4 SPDT limit switch

U

B51 Series Industrial Butterfly Valves

Product Specifications



Lug Butterfly Valve



Wafer Butterfly Valve

Features:

- wafer and lug type body
- cast iron body with extended neck
- nickel plated ductile iron disc
- seat backing ring ensures blowout proof service
- installs between Standard ANSI Class 150# flanges
- conforms to MSS SP-67 MSS SP-25, API-609
- no taper pins
- field repairable (seat kits available)
- undercut available
- EPDM seat
- maximum pressure **200 PSI** (bi-directional)
- temperature range: **-20°F to 250°F** (depending upon seat material)
- wide variety of seat, disc and body materials available
- additional sizes available
- various manual or automatic operators available

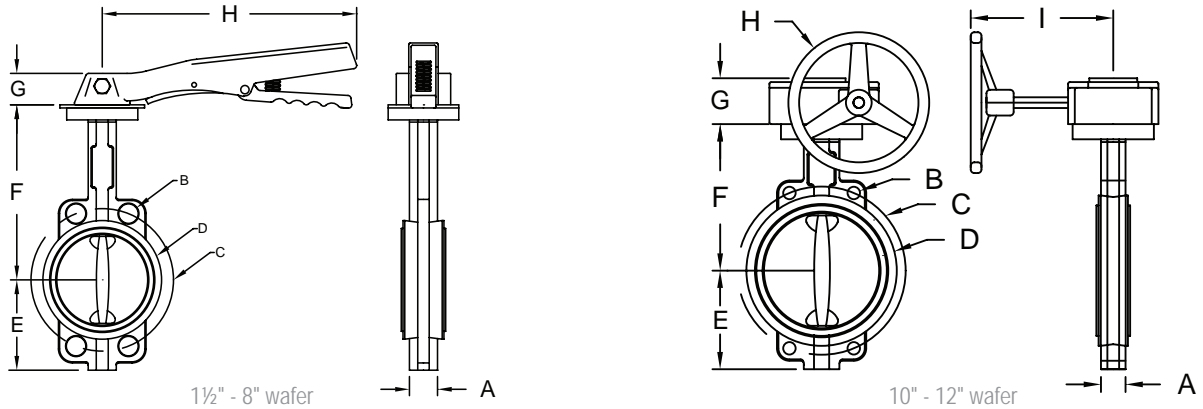
Valve Seating Torque (in. lbs.)

| Size | Standard Disc at Pressure Differential (ΔP) | | | |
|------|---|----------------|----------------|----------------|
| | 50 ΔP | 100 ΔP | 150 ΔP | 200 ΔP |
| 1½" | 80 | 95 | 100 | 105 |
| 2" | 99 | 105 | 110 | 116 |
| 2½" | 146 | 160 | 172 | 186 |
| 3" | 198 | 206 | 230 | 240 |
| 4" | 250 | 300 | 340 | 380 |
| 5" | 420 | 470 | 520 | 580 |
| 6" | 600 | 690 | 782 | 873 |
| 8" | 960 | 1100 | 1280 | 1410 |
| 10" | 1590 | 1790 | 2000 | 2180 |
| 12" | 2390 | 2600 | 3011 | 2313 |

U

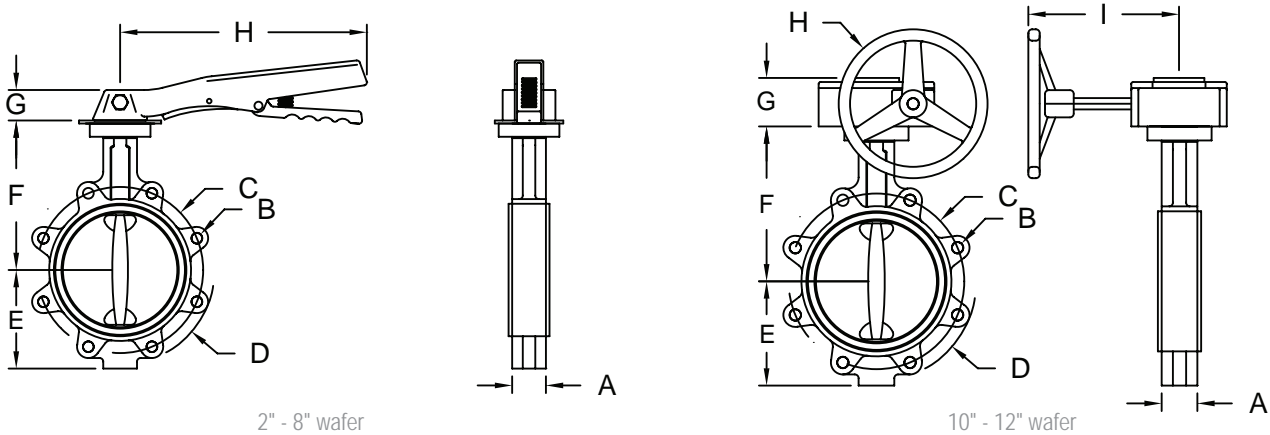
B51 Series Industrial Butterfly Valves

Dimensions (wafer)



| Part Number | Size | A | B | C | D | E | F | G | H | I |
|-----------------------|------|------|------|-------|-------|------|-------|------|-------|------|
| B5121E150WW-C | 1½" | 1.30 | 4-18 | 3.88 | 3.74 | 2.56 | 5.75 | 0.88 | 8.00 | n/a |
| B5121E200WW-C | 2" | 1.69 | 4-18 | 4.75 | 3.82 | 3.15 | 5.94 | 0.88 | 8.00 | n/a |
| B5121E250WW-C | 2½" | 1.81 | 4-18 | 5.50 | 4.45 | 3.62 | 6.89 | 0.88 | 8.00 | n/a |
| B5121E300WW-C | 3" | 1.81 | 4-18 | 6.00 | 4.92 | 3.74 | 7.13 | 0.88 | 8.00 | n/a |
| B5121E400WW-C | 4" | 2.50 | 4-22 | 7.50 | 6.14 | 4.49 | 7.87 | 1.00 | 10.60 | n/a |
| B5121E500WW-C | 5" | 2.20 | 4-22 | 8.50 | 7.36 | 5.00 | 8.39 | 1.00 | 10.60 | n/a |
| B5121E600WW-C | 6" | 2.20 | 4-22 | 9.50 | 8.46 | 5.47 | 8.90 | 1.00 | 10.60 | n/a |
| B5121E800WW-C | 8" | 2.36 | 4-22 | 11.75 | 10.51 | 6.59 | 10.24 | 1.25 | 12.60 | n/a |
| B5121E1000WW-G | 10" | 2.68 | 4-26 | 14.25 | 13.00 | 8.00 | 11.50 | 3.21 | 9.84 | 8.86 |
| B5121E1200WW-G | 12" | 3.07 | 4-26 | 17.00 | 14.96 | 9.53 | 13.27 | 3.21 | 11.80 | 8.86 |

Dimensions (lug)



| Part Number | Size | A | B | C | D | E | F | G | H | I |
|-----------------------|------|------|---------------|-------|-------|------|-------|------|-------|------|
| B5121E200LL-C | 2" | 1.69 | 4-5/18-11 UNC | 4.75 | 5.95 | 3.15 | 5.94 | 0.88 | 8.00 | n/a |
| B5121E250LL-C | 2½" | 1.81 | 4-5/18-11 UNC | 5.50 | 6.97 | 3.62 | 6.89 | 0.88 | 8.00 | n/a |
| B5121E300LL-C | 3" | 1.81 | 4-5/18-11 UNC | 6.00 | 7.56 | 3.74 | 7.13 | 0.88 | 8.00 | n/a |
| B5121E400LL-C | 4" | 2.05 | 8-5/8-11 UNC | 7.50 | 8.35 | 4.49 | 7.87 | 1.00 | 10.60 | n/a |
| B5121E500LL-C | 5" | 2.20 | 8-5/8-11 UNC | 8.50 | 9.53 | 5.00 | 8.39 | 1.00 | 10.60 | n/a |
| B5121E600LL-C | 6" | 2.20 | 8-5/8-11 UNC | 9.50 | 11.02 | 5.47 | 8.90 | 1.00 | 10.60 | n/a |
| B5121E800LL-C | 8" | 2.36 | 8-5/8-11 UNC | 11.75 | 13.19 | 6.89 | 10.24 | 1.25 | 12.60 | n/a |
| B5121E1000LL-G | 10" | 2.68 | 12-7/8-9 UNC | 14.25 | 15.94 | 8.00 | 11.50 | 3.21 | 9.84 | 8.86 |
| B5121E1200LL-G | 12" | 3.07 | 12-7/8-9 UNC | 17.00 | 19.09 | 9.53 | 13.27 | 3.21 | 11.80 | 8.86 |

U

Dixon Sanitary Check Valves

Check Valve Selection



Product Specifications

Size range:

- ½" - 4" OD tube

Materials:

- G = 304 stainless steel
- R = 316L stainless steel

Finish:

- 3A sanitary finish ID and OD

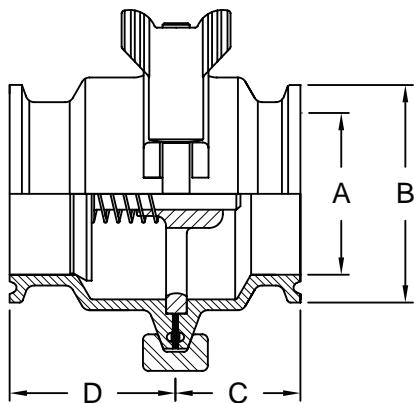
Index

| | | | |
|----------------------------|---------|---------------------------------------|---------|
| Spring Check Valves | 215-216 | Air Relief Valves | 221-222 |
| Y-Ball Check Valves..... | 217-218 | Tank Vent Valve..... | 223-224 |
| Air Blow Check Valves..... | 219-220 | Stainless Steel Tank Vent Valve | 225-226 |



Spring Check Valves

Product Specifications



Features:

- 3A Standards 58-00, Check Valves and Vacuum Breakers
- full size flow plate
- long stem bushing for increased cycle life
- suitable for low and medium viscosity fluids
- field serviceable (no special tools required)
- various end connections available
- sizes from ½" thru 4"
- operating temperature range: 15°F to 200°F
- maximum operating pressure: 145 PSI

| Size | A | B | C | D | 316L Stainless Steel Part Number | 316L Stainless Steel - all FKM Part Number |
|------|------|------|------|------|-------------------------------------|---|
| ½" | 0.37 | 0.99 | 1.10 | 1.60 | B45MP-R50 | B45MP-R50V |
| ¾" | 0.62 | 0.99 | 1.10 | 1.60 | B45MP-R75 | B45MP-R75V |
| 1" | 0.87 | 1.99 | 1.37 | 1.92 | B46MP-R100 | B46MP-R100V |
| 1½" | 1.37 | 1.99 | 1.44 | 1.92 | B46MP-R150 | B46MP-R150V |
| 2" | 1.87 | 2.52 | 1.44 | 1.92 | B46MP-R200 | B46MP-R200V |
| 2½" | 2.37 | 3.05 | 1.44 | 1.92 | B46MP-R250 | B46MP-R250V |
| 3" | 2.87 | 3.58 | 1.44 | 1.92 | B46MP-R300 | B46MP-R300V |
| 4" | 3.84 | 4.69 | 1.88 | 2.15 | B46MP-R400 | B46MP-R400V |

All dimensions are in inches unless otherwise noted. Engineering dimensions are available upon request. Specifications are subject to change without notice.

repair kits

| Size | Part Number |
|------|--------------------|
| ½" | B45MP-RK050 |
| ¾" | B45MP-RK075 |
| 1" | B46MP-RK100 |
| 1½" | B46MP-RK150 |
| 2" | B46MP-RK200 |
| 2½" | B46MP-RK250 |
| 3" | B46MP-RK300 |
| 4" | B46MP-RK400 |

| Size | FKM Part Number |
|------|---------------------|
| ½" | B45MP-RKV050 |
| ¾" | B45MP-RKV075 |
| 1" | B46MP-RKV100 |
| 1½" | B46MP-RKV150 |
| 2" | B46MP-RKV200 |
| 2½" | B46MP-RKV250 |
| 3" | B46MP-RKV300 |
| 4" | B46MP-RKV400 |

Repair kit contains:

½" - ¾"

- (1) 316L stainless spring
- (1) FKM stem seat
- (1) EPDM body O-ring

1" - 4"

- (1) 316L stainless spring
- (1) FKM stem seat

FKM Repair kit contains:

½" - ¾"

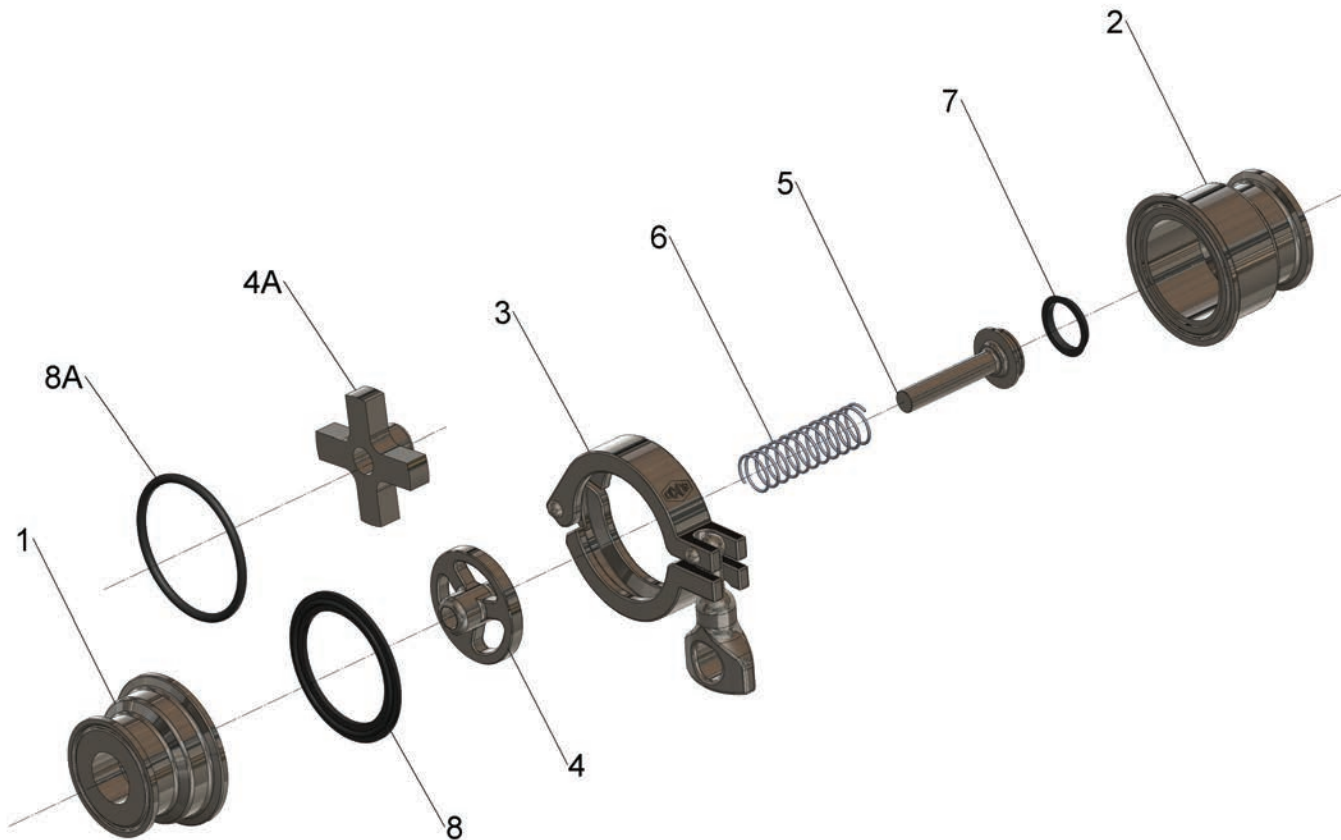
- (1) 316L stainless spring
- (1) FKM stem seat
- (1) FKM body O-ring

1" - 4"

- (1) 316L stainless spring
- (1) FKM stem seat

Spring Check Valves

Bill of Materials

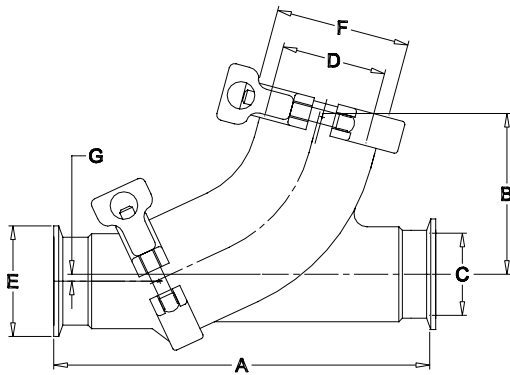


| Item # | Description | Material | Quantity Required | |
|--------|--------------------|----------------|-------------------|---------|
| | | | 1/2" - 3/4" | 1" - 4" |
| 1 | upper body housing | 316L stainless | 1 | 1 |
| 2 | lower body housing | 316L stainless | 1 | 1 |
| 3 | single pin clamp | CF8 stainless | 1 | 1 |
| 4 | flow plate | CF8M stainless | n/a | 1 |
| 4A | flow plate | CF8M stainless | 1 | n/a |
| 5 | plunger | 316L stainless | 1 | 1 |
| 6 | spring | 316L stainless | 1 | 1 |
| 7 | stem seat | FKM | 1 | 1 |
| 8 | clamp gasket | EPDM | n/a | 1 |
| 8A | body O-ring | EPDM | 1 | n/a |



Y - Ball Check Valves

Product Specifications



When liquid flows through the valve, the ball is forced into the branch of the valve allowing full fluid flow. When the liquid stops, equalizing the pressure, the ball drops back into the seat, preventing backflow. Should reverse flow occur, the differential pressure will cause the ball to seal firmly against the seat preventing leakage.

Features:

- 3A Standards 58-00, Check Valves and Vacuum Breakers
- two-piece construction
- replace seat instead of entire valve
- PTFE ball
- field serviceable (no special tools required)
- all metal product contact surfaces are 316L stainless steel construction
- operating temperature range: **15°F to 200°F**
- maximum operating pressure: **150 PSI**

| Valve Size | Clamp & Cap Size | A | B | C | D | E | F | G | Ball Diameter | Weight (lbs) | 316L Stainless Steel Part Number |
|------------|------------------|-------|------|------|------|------|------|------|---------------|--------------|----------------------------------|
| 1½" | 2" | 7.50 | 3.30 | 1.36 | 1.87 | 1.98 | 2.51 | 0.16 | 1.6 | 4.9 | B45BY-R150 |
| 2" | 2½" | 8.50 | 3.90 | 1.86 | 2.33 | 2.51 | 3.04 | 0.16 | 2.1 | 6.6 | B45BY-R200 |
| 2½" | 3" | 10.00 | 4.50 | 2.37 | 2.87 | 3.04 | 3.57 | 0.16 | 2.7 | 10.5 | B45BY-R250 |
| 3" | 4" | 11.50 | 5.30 | 2.87 | 3.83 | 3.57 | 4.68 | 0.16 | 3.6 | 17.5 | B45BY-R300 |

All dimensions are in inches unless otherwise noted. Engineering dimensions are available upon request. Specifications are subject to change without notice.

Repair and Seal Kits

Repair kit contains:

- (1) EPDM cap gasket
- (1) PTFE ball
- (1) EPDM/CF8M seat

Seal kit contains:

- (1) EPDM cap gasket
- (1) EPDM/CF8M seat

FKM Seal kit contains:

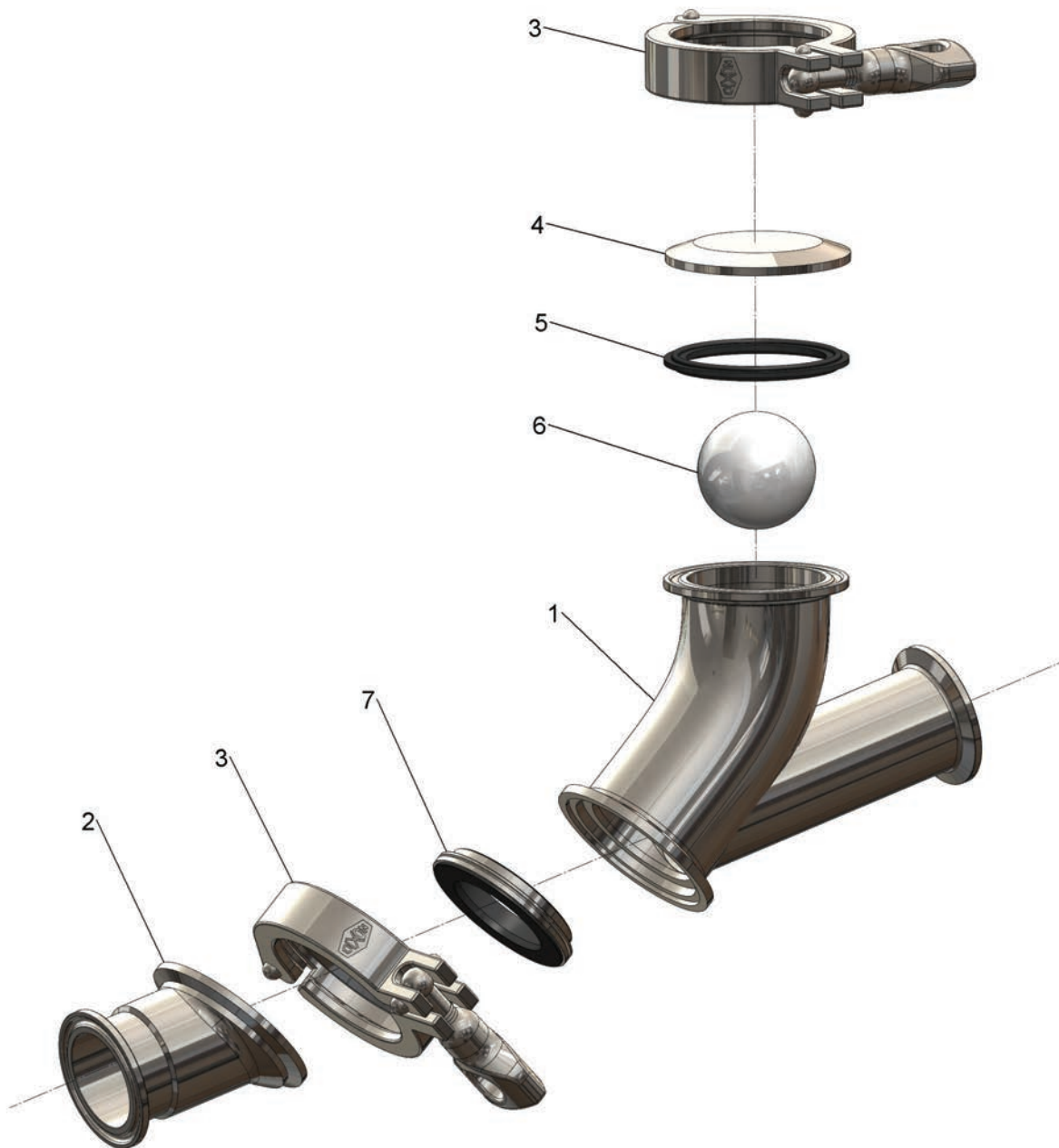
- (1) FKM cap gasket
- (1) FKM /CF8M seat

| Size | Repair Kit Part Number | Seal Kit Part Number | FKM Seal Kit Part Number | Replacement Ball Only Part Number |
|------|------------------------|----------------------|--------------------------|-----------------------------------|
| 1½" | B45BY-RK150 | B45BY-SK150 | B45BY-SKV150 | B45BY-TB150 |
| 2" | B45BY-RK200 | B45BY-SK200 | B45BY-SKV200 | B45BY-TB200 |
| 2½" | B45BY-RK250 | B45BY-SK250 | B45BY-SKV250 | B45BY-TB250 |
| 3" | B45BY-RK300 | B45BY-SK300 | B45BY-SKV300 | B45BY-TB300 |



Y-Ball Check Valves

Bill of Materials



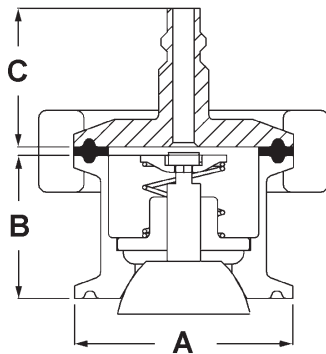
| Item # | Description | Material | Quantity |
|--------|------------------|----------------------|----------|
| 1 | angle body | 316L stainless | 1 |
| 2 | inlet body | 316L stainless | 1 |
| 3 | single pin clamp | CF8 stainless | 2 |
| 4 | clamp end cap | 316L stainless | 1 |
| 5 | cap gasket | EPDM | 1 |
| 6 | ball | PTFE | 1 |
| 7 | seat | EPDM/CF-8M stainless | 1 |



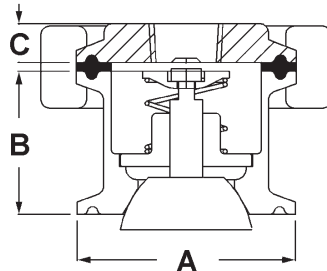
Air Blow Check Valves



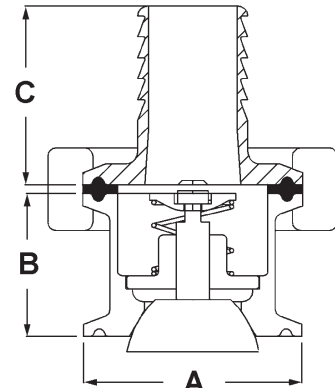
Product Specifications



B45AB



B45BC



B45CC

Features:

- 3A Standards 58-00, check valves and vacuum breakers
- 316L stainless steel with EPDM stem seat and gasket
- maximum operating temperature: **212°F**
- maximum operating pressure: **145 PSI**

| Size | A | B | Quick-Connect Plug Part Number | Dim. C | Female NPT Part Number | Dim. C | Hose Barb Part Number | Dim. C |
|----------|-------|------|-----------------------------------|-----------|---------------------------|-----------|--------------------------|-----------|
| 1" - 1½" | 1.984 | 1.30 | B45AB-R100150 | 1.26 | B45BC-R100150 | 0.6 | B45CC-R100150 | 1.7 |
| 2" | 2.516 | 1.30 | B45AB-R200 | 1.26 | B45BC-R200 | 0.6 | B45CC-R200 | 1.7 |
| 2½" | 3.047 | 1.30 | B45AB-R250 | 1.26 | B45BC-R250 | 0.6 | B45CC-R250 | 1.7 |
| 3" | 3.579 | 1.30 | B45AB-R300 | 1.26 | B45BC-R300 | 0.6 | B45CC-R300 | 1.7 |
| 4" | 4.682 | 1.30 | B45AB-R400 | 1.26 | B45BC-R400 | 0.6 | B45CC-R400 | 1.7 |

All dimensions are in inches unless otherwise noted. Engineering dimensions are available upon request. Specifications are subject to change without notice.

Repair Kit

Repair kit, **B45AB-RK**, contains:

- (1) EPDM / 316L stainless perforated disc
- (1) 304 stainless spring retainer
- (1) 304 stainless spring
- (1) nylon stem guide
- (1) 316L / EPDM stem and plug

Sizing Chart

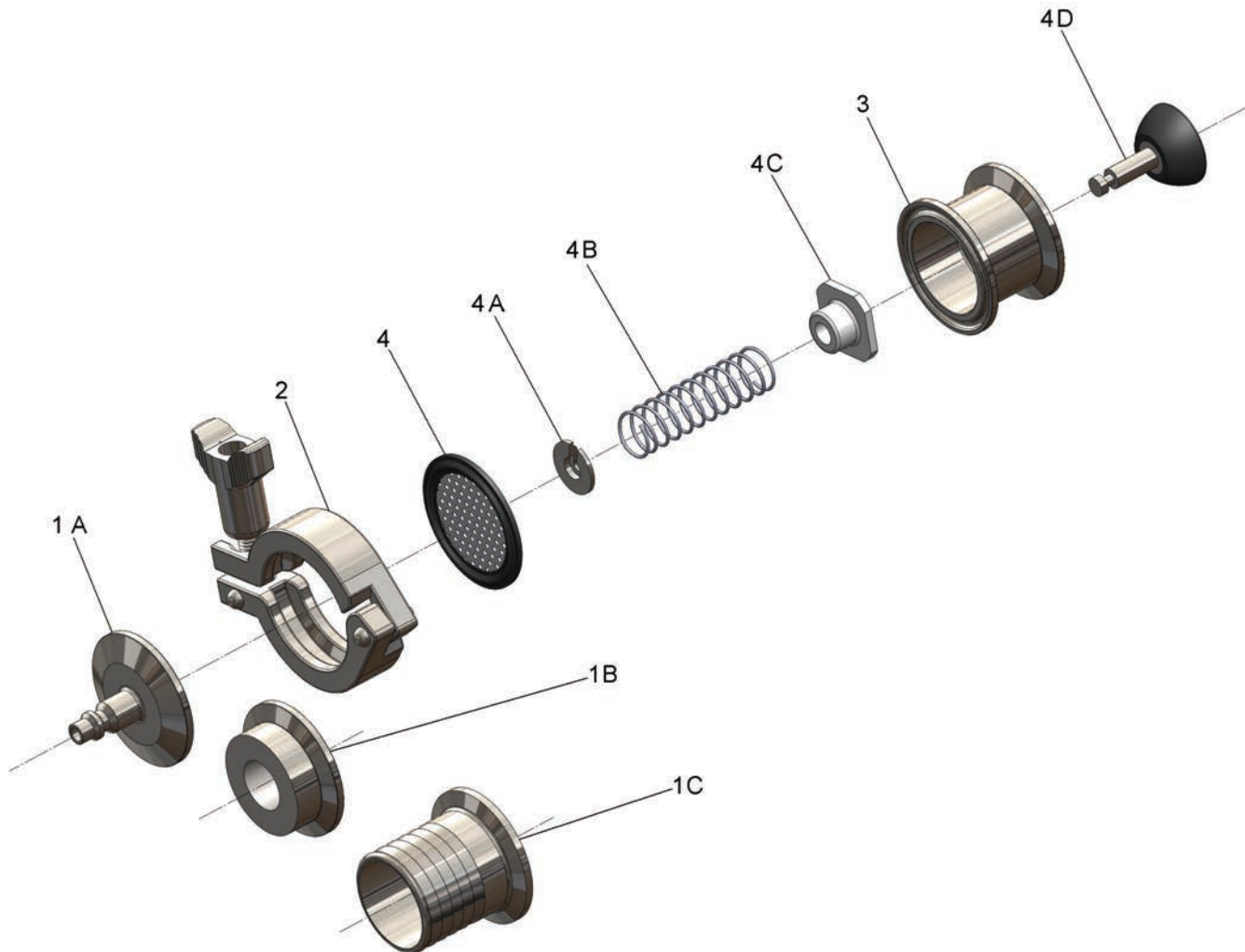
When using air blow check valves with ball check valves, refer to the sizing chart below.

| Ball Check Valve size | Air Blow Check Valve size |
|-----------------------|---------------------------|
| 1½" | 2" |
| 2" | 2½" |
| 2½" | 3" |



Air Blow Check Valves

Bill of Materials



| Item | Description | Material | Quantity |
|---|-----------------------------|-----------------|----------|
| 1A | 1/4" air line quick connect | 316L | 1 |
| 1B | 1/2" NPT cap | 316L | 1 |
| 1C | 1" hose barb | 316L | 1 |
| 2 | single pin clamp | CF8 | 1 |
| 3 | valve body | 316L | 1 |
| 4 | perforated disc | EPDM/316L | 1 |
| 4A | spring retainer | 304 | 1 |
| 4B | spring | 304 | 1 |
| 4C | stem guide | nylon | 1 |
| 4D | stem and plug | 316L/EPDM | 1 |
| Filter Discs (optional) <i>Must be used when installed in 3A applications</i> | | | |
| B45ABFD150 | filter disc pack | 1 micron filter | 50 |

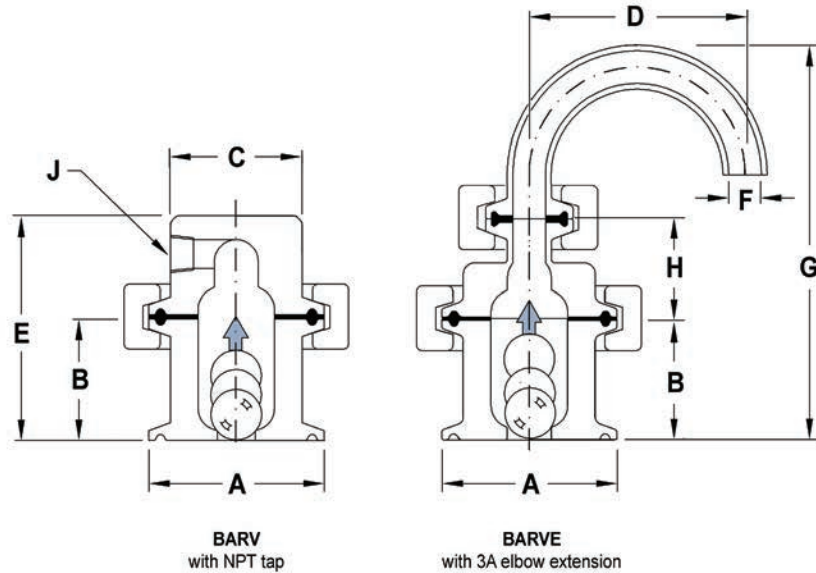


- filter discs (optional) must be used when installed for Accepted Practice 3A 604-05, Supplying Air under Pressure in Contact With Milk, Milk products and Product Contact.

Air Relief Valves



Product Specifications



Features:

- 3A Standards 58-00 with Elbow Extension, Check Valves and Vacuum Breakers
- no special tools required
- ball and gaskets are replaceable
- The valve seals for both pressure and vacuum.
- All product contact surfaces have a radius of 1/4" or better.
- The valve ball is constructed of FDA, 3A approved polypropylene.
- PTFE valve ball is available
- other gasket materials available
- maximum operating temperature: 212°F
- maximum PSI: 145

| Description | A | B | C | D | E | F | G | H | J | 304 Stainless Steel Part Number |
|--|------|------|------|------|------|------|------|------|--------|---------------------------------|
| 1½" air relief valve with tapped blind end | 1.98 | 1.40 | 1.50 | --- | 2.40 | --- | --- | --- | ⅝" NPT | BARV-G150 |
| 2" air relief valve with tapped blind end | 2.51 | 1.40 | 1.50 | --- | 2.40 | --- | --- | --- | ⅝" NPT | BARV-G200 |
| 1½" air relief valve with 180° elbow | 1.98 | 1.40 | --- | 1.50 | --- | 0.37 | 4.50 | 1.10 | --- | BARVE-G150 |
| 2" air relief valve with 180° elbow | 2.51 | 1.40 | --- | 1.50 | --- | 0.37 | 4.50 | 1.10 | --- | BARVE-G200 |

All dimensions are in inches unless otherwise noted. Engineering dimensions are available upon request. Specifications are subject to change without notice.

Working Principle

The Dixon Sanitary air relief valve allows air to be removed from a line or container without the liquid flowing out. Its design does not allow air to enter the line or container, even if subjected to a negative pressure. It is a double-seated valve with a freely moving polypropylene ball. The ball, which is lighter than water, closes against the upper or lower seat, depending on the pressure conditions.

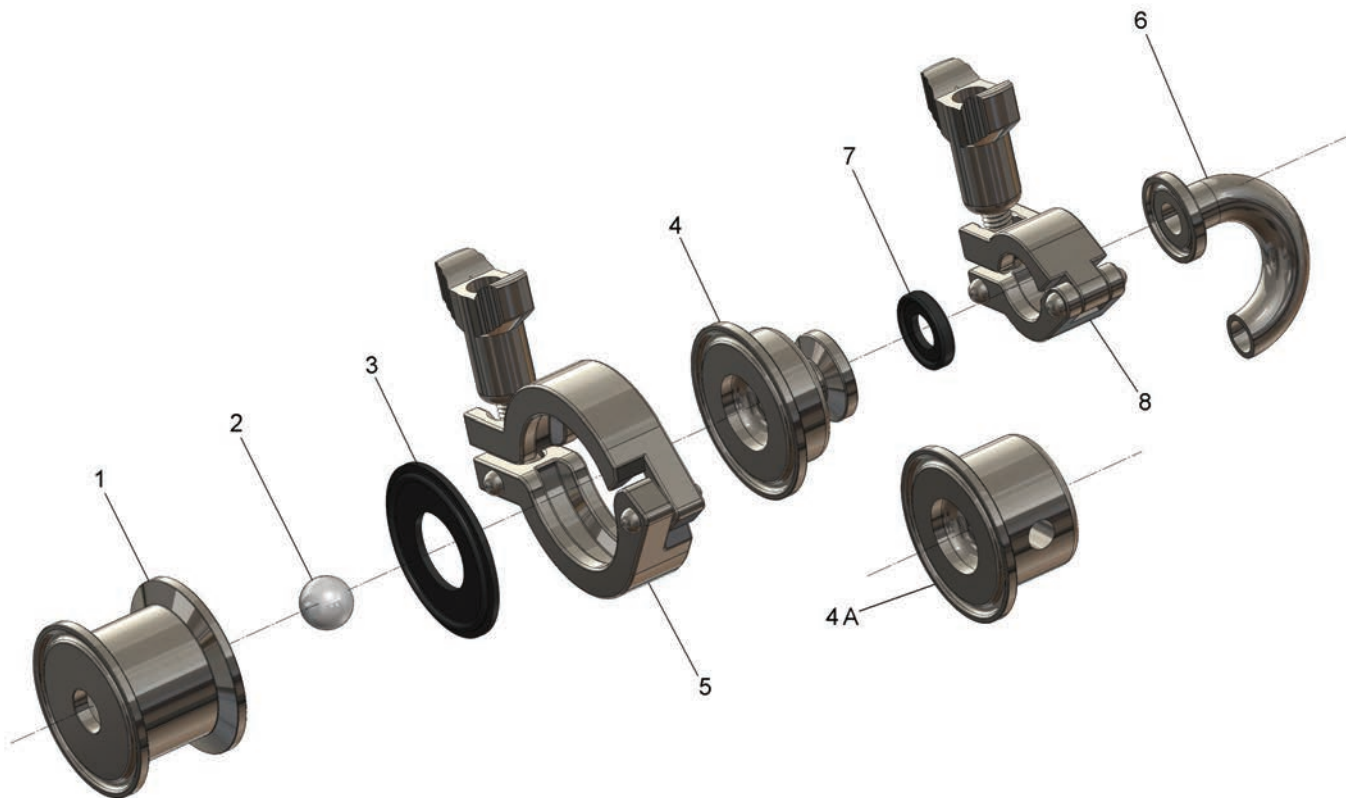
Applications

1. Bleeding of a line where an air pocket has formed. This application calls for installation at the top of the line.
2. Bleeding of a tube on the suction side of a pump. The suction side is bled automatically, before the pump starts, establishing a vacuum. Binding of air to liquid will be prevented, and so will subsequent cavitation. In this application the valve is mounted in front of the pump, on the top of the inlet tube.



Air Relief Valves

Bill of Materials



| Item # | Description | Material | Quantity Required | |
|--------|-------------------|---------------|-------------------|--------|
| | | | elbow 3A | tapped |
| 1 | body | 304 stainless | 1 | 1 |
| 2 | ball | polypropylene | 1 | 1 |
| 3 | gasket | EPDM | 1 | 1 |
| 4 | 3A cover | 304 stainless | 1 | n/a |
| 4A | tapped cover | 304 stainless | n/a | 1 |
| 5 | 1 1/2" clamp | CF8 stainless | 1 | 1 |
| 6 | 180° tube ferrule | 304 stainless | 1 | n/a |
| 7 | 1/2" gasket | EPDM | 1 | n/a |
| 8 | 1/2" clamp | CF8 stainless | 1 | n/a |

Replacement Parts

| Part Number | Description | Material | Quantity Required |
|---------------------|-------------|---------------|-------------------|
| BARVE3P-G150 | ball | polypropylene | 1 |
| BARVE3T-G150 | ball | PTFE | 1 |

V

Air & Vacuum Relief Tank Vent Valve

Features:

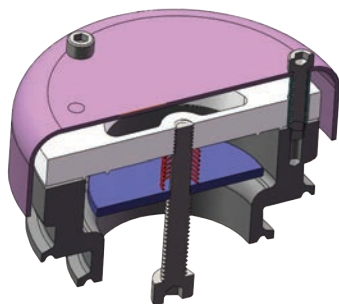
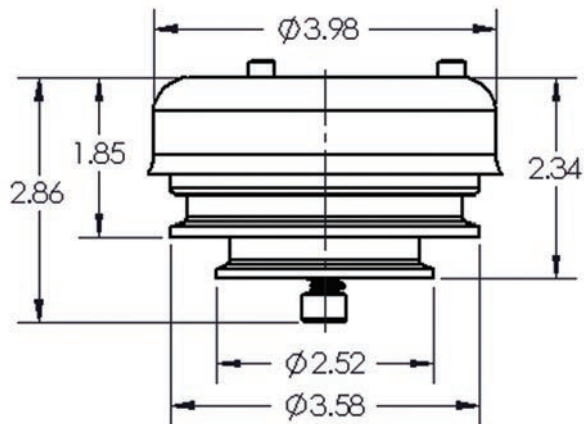
- The valve relieves pressure as the fluid level rises while filling a tank.
- The valve relieves vacuum as the fluid level drops while emptying a tank.
- 2" and 3" clamp connections on the same valve
- dome helps in preventing external contamination
- light weight, robust PVC and 304 stainless steel construction
- can use any clamp gasket
- maximum flow rate: 500 GPM
- vacuum break: .1 PSI
- pressure relief: .1 PSI



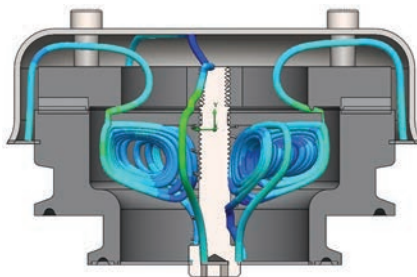
Part #

TVPC200-300

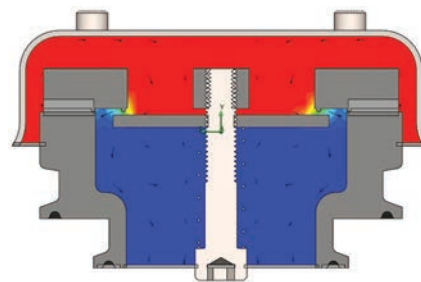
Dimensions



Assembly



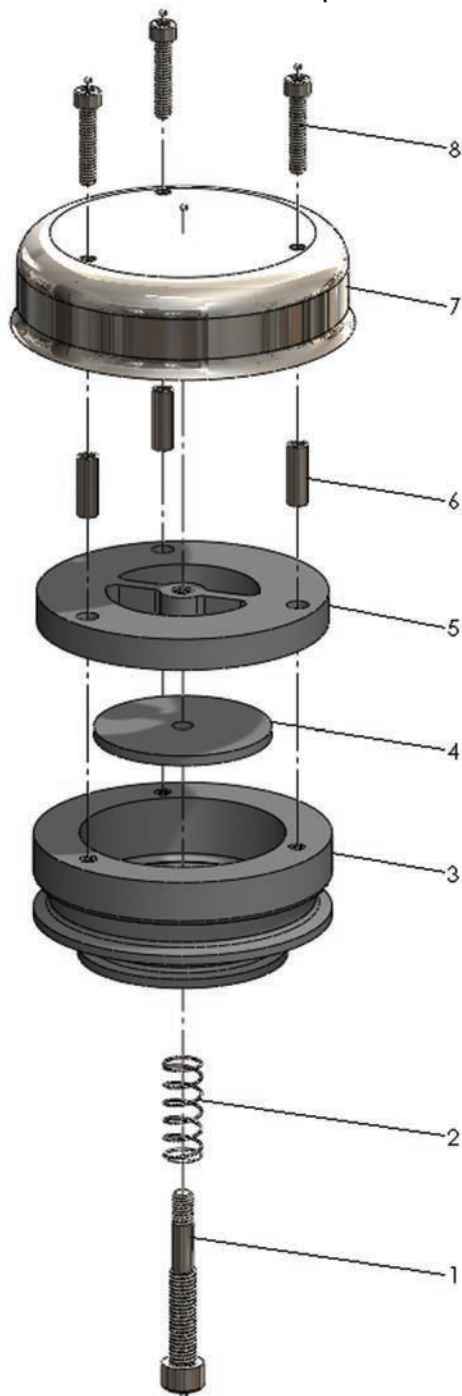
Vent Flow Pipes



Pressure Analysis

V

Tank Vent Valve - Exploded View



| Item | Description | Material | Quantity |
|------|-------------|---------------------|----------|
| 1 | spring bolt | 304 stainless steel | 1 |
| 2 | spring | 304 stainless steel | 1 |
| 3 | body | PVC | 1 |
| 4 | check plate | PVC | 1 |
| 5 | flow plate | PVC | 1 |
| 6 | spacer | 304 stainless steel | 3 |
| 7 | cap | 304 stainless steel | 1 |
| 8 | cap bolt | 304 stainless steel | 3 |

V

Stainless Steel Air & Vacuum Relief Tank Vent Valve

NEW

Applications:

- When product filling or evacuation in a tank, this valve is used to relieve pressure or vacuum.

Features:

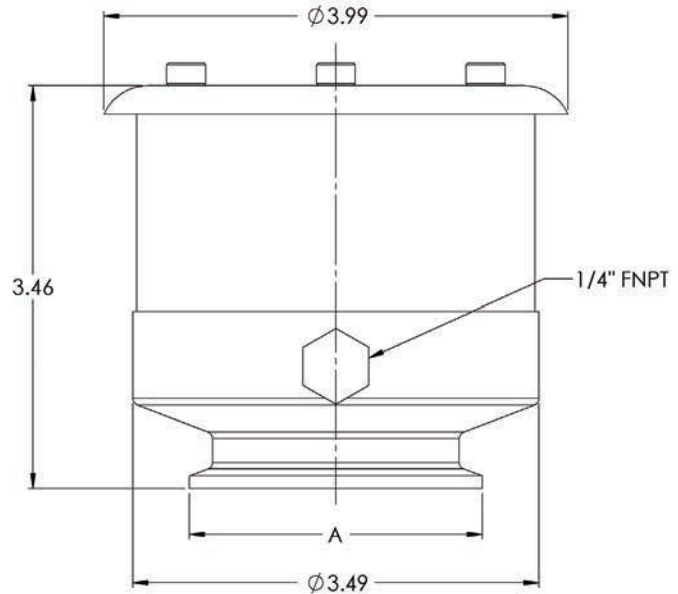
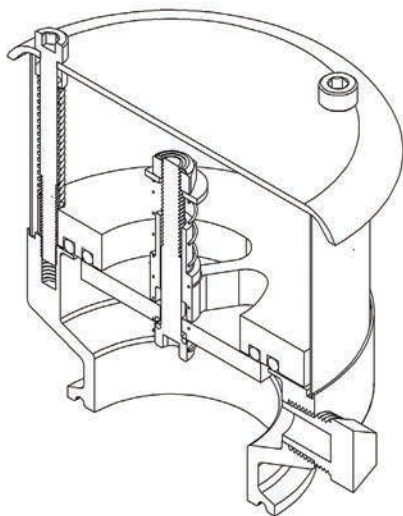
- Triple Action
 - Valve relieves pressure as the fluid level rises while filling a tank.
 - Valve relieves vacuum as the fluid level drops while emptying a tank.
 - Seals under equal pressure.
- stainless steel screen surrounds the entire vacuum and pressure flow area
- sizes: 2", 3" or 4" – clamp connection standard
- other sanitary connections optional
- 1/4" FNPT connection for gas inlet, plug also supplied
- vacuum break: 2" water column, 0.1 PSI
- pressure relief: 22" water column, 0.8 PSI
- maximum temperature and pressure rating: **3 PSI @ 70°F**
- maximum flow rate: 500 GPM



Materials:

- 304 stainless steel, EPDM elastomer

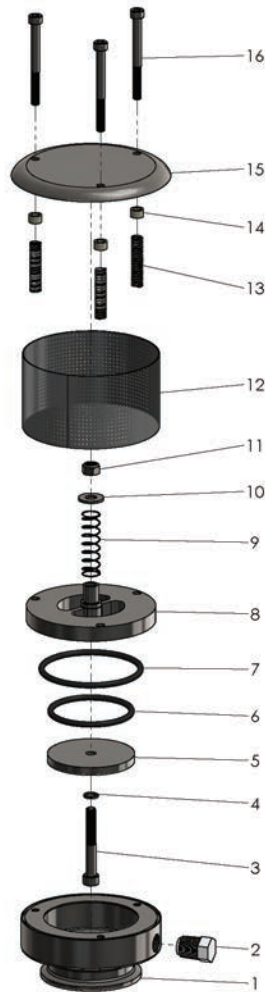
| Part Number | Tube OD |
|-------------------|---------|
| TVSEC-G200 | 2" |
| TVSEC-G300 | 3" |
| TVSEC-G400 | 4" |



| | DIM. "A" |
|----|----------|
| 2" | 2.52 |
| 3" | 3.58 |
| 4" | 4.68 |



Air & Vacuum Relief Tank Vent Valve - Exploded View



| Item | Description | Material | Quantity Required |
|------|-------------------------|---------------|-------------------|
| 1 | body | 304 stainless | 1 |
| 2 | plug | PVC | 1 |
| 3 | vacuum bolt | 304 stainless | 1 |
| 4 | O-ring (vacuum bolt) | EPDM | 1 |
| 5 | vacuum disc | 304 stainless | 1 |
| 6 | O-ring (vacuum disc) | EPDM | 1 |
| 7 | O-ring (pressure plate) | EPDM | 1 |
| 8 | pressure plate | 304 stainless | 1 |
| 9 | vacuum spring | 304 stainless | 1 |
| 10 | flat washer | 304 stainless | 1 |
| 11 | nut | 304 stainless | 1 |
| 12 | screen | 304 stainless | 1 |
| 13 | pressure plate springs | 304 stainless | 3 |
| 14 | spacers | 304 stainless | 3 |
| 15 | cover | 304 stainless | 1 |
| 16 | cover screws | 304 stainless | 3 |

V
W

Dixon Sanitary Sample Valves

Product Specifications

Sample Valve Selection

Size range:

- ½" - 4" OD tube

Materials:

- G = 304 stainless steel
- R = 316L stainless steel
- N = 316L stainless steel

Finish:

- 3A sanitary finish ID and OD



Angle Sample Valves - BSVACV

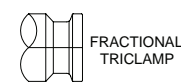
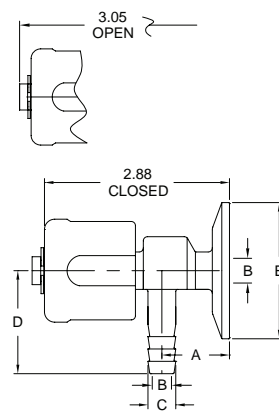
Features:

- all 316L stainless wetted part construction
- standard finish to 20 R_a ID / 32 R_a OD
- FKM O-ring
- fully traceable (material test reports)
- virgin PTFE seat for positive closure
- minimal internal dead-leg area
- sizes available: ½" thru 4"
- temperature rating: 300°F at 200 PSI



Right Angle Sample Valve Dimensions

| Valve Size | A | B | BarbØ C | D | FerruleØ E | Part Number |
|------------|------|------|------------|------|---------------|-----------------------|
| ½" | 0.93 | 0.21 | ¼" | 1.76 | 0.99 | BSVACV-N050025 |
| ½" | 0.92 | 0.28 | 3/8" | 1.78 | 0.99 | BSVACV-N050375 |
| ½" | 0.85 | 0.37 | 1/2" | 1.76 | 0.99 | BSVACV-N050050 |
| ¾" | 0.93 | 0.21 | ¼" | 1.76 | 0.99 | BSVACV-N075025 |
| ¾" | 0.92 | 0.28 | 3/8" | 1.78 | 0.99 | BSVACV-N075375 |
| ¾" | 0.85 | 0.37 | 1/2" | 1.76 | 0.99 | BSVACV-N075050 |
| 1" | 0.96 | 0.21 | ¼" | 2.04 | 1.98 | BSVACV-N100025 |
| 1" | 0.95 | 0.28 | 3/8" | 2.03 | 1.98 | BSVACV-N100375 |
| 1" | 0.88 | 0.37 | 1/2" | 2.03 | 1.98 | BSVACV-N100050 |
| 1½" | 0.96 | 0.21 | ¼" | 2.04 | 1.98 | BSVACV-N150025 |
| 1½" | 0.95 | 0.28 | 3/8" | 2.03 | 1.98 | BSVACV-N150375 |
| 1½" | 0.88 | 0.37 | 1/2" | 2.03 | 1.98 | BSVACV-N150050 |
| 2" | 0.96 | 0.21 | ¼" | 2.31 | 2.52 | BSVACV-N200025 |
| 2" | 0.95 | 0.28 | 3/8" | 2.31 | 2.52 | BSVACV-N200375 |
| 2" | 0.88 | 0.37 | 1/2" | 2.29 | 2.52 | BSVACV-N200050 |
| 2½" | 0.96 | 0.21 | ¼" | 2.57 | 3.05 | BSVACV-N250025 |
| 2½" | 0.95 | 0.28 | 3/8" | 2.57 | 3.05 | BSVACV-N250375 |
| 2½" | 0.88 | 0.37 | 1/2" | 2.56 | 3.05 | BSVACV-N250050 |
| 3" | 0.96 | 0.21 | ¼" | 2.84 | 3.58 | BSVACV-N300025 |
| 3" | 0.95 | 0.28 | 3/8" | 2.37 | 3.58 | BSVACV-N300375 |
| 3" | 0.88 | 0.37 | 1/2" | 2.83 | 3.58 | BSVACV-N300050 |
| 4" | 0.96 | 0.21 | ¼" | 3.39 | 4.68 | BSVACV-N400025 |
| 4" | 0.95 | 0.28 | 3/8" | 3.39 | 4.68 | BSVACV-N400375 |
| 4" | 0.88 | 0.37 | 1/2" | 3.38 | 4.68 | BSVACV-N400050 |



Index

| | | | |
|---------------------------|---------|-----------------------------|---------|
| Angle Sample Valve | 227-228 | W Series Sample Valve | 231-232 |
| Inline Sample Valve | 229-230 | Topping Gun | 233 |

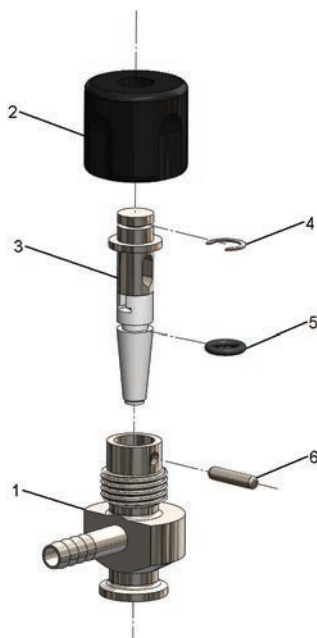


Call Toll Free: 1-866-711-4673
International: + 1-727-342-5086



Sample Valves

Angle Sample Valves - BSVACV Bill of Materials



| Item # | Description | Material | Quantity |
|--------|-------------|-----------------------|----------|
| 1 | body | 316L stainless steel | 1 |
| 2 | knob | ULTEM (FDA) | 1 |
| 3 | stem | 316L stainless / PTFE | 1 |
| 4 | E-clip | 304 stainless steel | 1 |
| 5 | O-ring | FKM | 1 |
| 6 | body pin | 316L stainless steel | 1 |

Repair Kits

Repair kit contains:

- (1) PTFE seat
- (1) FKM O-ring
- (1) 316 stainless steel stop pin
- (1) 304 stainless steel E-clip

| Size | Part Number |
|------|---------------------|
| 1/4" | BSVA-NRKS025 |
| 3/8" | BSVA-NRKS038 |
| 1/2" | BSVA-NRKS050 |

Sample Valves

Inline Sample Valves - BSVICV

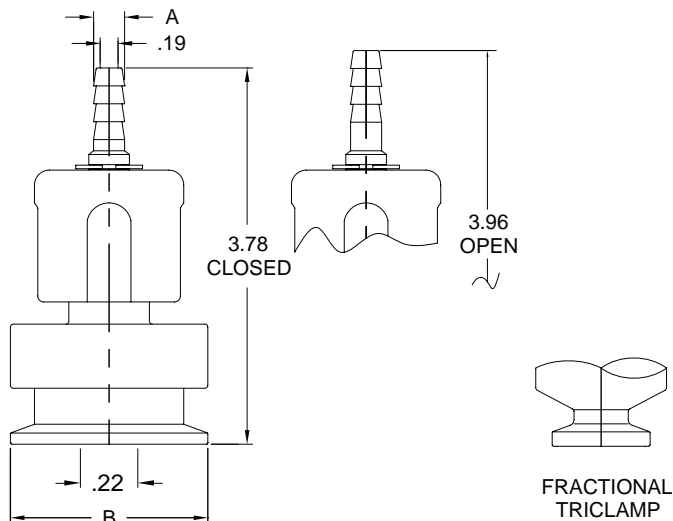
Features:

- all 316L stainless wetted part construction
- standard finish to 20 R_a ID / 32 R_a OD
- FKM O-ring
- fully traceable (material test reports)
- virgin PTFE seat for positive closure
- minimal internal dead-leg area
- sizes available: ½" thru 4"
- temperature rating: **300°F at 200 PSI**



Inline Sample Valve Dimensions

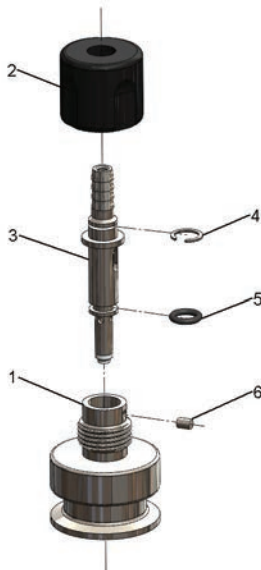
| Valve Size | Barb A | Ferrule B | Part Number |
|------------|--------|-----------|-----------------------|
| ½" | ¼" | 0.99 | BSVICV-N050025 |
| ½" | ⅜" | 0.99 | BSVICV-N050375 |
| ½" | ½" | 0.99 | BSVICV-N050050 |
| ¾" | ¼" | 0.99 | BSVICV-N075025 |
| ¾" | ⅜" | 0.99 | BSVICV-N075375 |
| ¾" | ½" | 0.99 | BSVICV-N075050 |
| 1" | ¼" | 1.98 | BSVICV-N100025 |
| 1" | ⅜" | 1.98 | BSVICV-N100375 |
| 1" | ½" | 1.98 | BSVICV-N100050 |
| 1½" | ¼" | 1.98 | BSVICV-N150025 |
| 1½" | ⅜" | 1.98 | BSVICV-N150375 |
| 1½" | ½" | 1.98 | BSVICV-N150050 |
| 2" | ¼" | 2.52 | BSVICV-N200025 |
| 2" | ⅜" | 2.52 | BSVICV-N200375 |
| 2" | ½" | 2.52 | BSVICV-N200050 |
| 2½" | ¼" | 3.05 | BSVICV-N250025 |
| 2½" | ⅜" | 3.05 | BSVICV-N250375 |
| 2½" | ½" | 3.05 | BSVICV-N250050 |
| 3" | ¼" | 3.58 | BSVICV-N300025 |
| 3" | ⅜" | 3.58 | BSVICV-N300375 |
| 3" | ½" | 3.58 | BSVICV-N300050 |
| 4" | ¼" | 4.68 | BSVICV-N400025 |
| 4" | ⅜" | 4.68 | BSVICV-N400375 |
| 4" | ½" | 4.68 | BSVICV-N400050 |



All dimensions are in inches unless otherwise noted. Engineering dimensions are available upon request. Specifications are subject to change without notice.

Sample Valves

Inline Sample Valves - BSVICV Bill of Materials



| Item # | Description | Material | Quantity |
|--------|-------------|-----------------------|----------|
| 1 | body | 316L stainless steel | 1 |
| 2 | knob | ULTEM (FDA) | 1 |
| 3 | stem | 316L stainless / PTFE | 1 |
| 4 | E-clip | 304 stainless steel | 1 |
| 5 | O-ring | FKM | 1 |
| 6 | body pin | 316L stainless steel | 1 |

Repair Kits

| Size | Part Number |
|------|---------------------|
| 1/4" | BSVI-NRKS025 |
| 3/8" | BSVI-NRKS038 |
| 1/2" | BSVI-NRKS050 |

Repair kit contains:
 (1) stem assembly
 (1) FKM O-ring
 (1) 316 stainless steel stop pin
 (1) 304 stainless steel E-clip

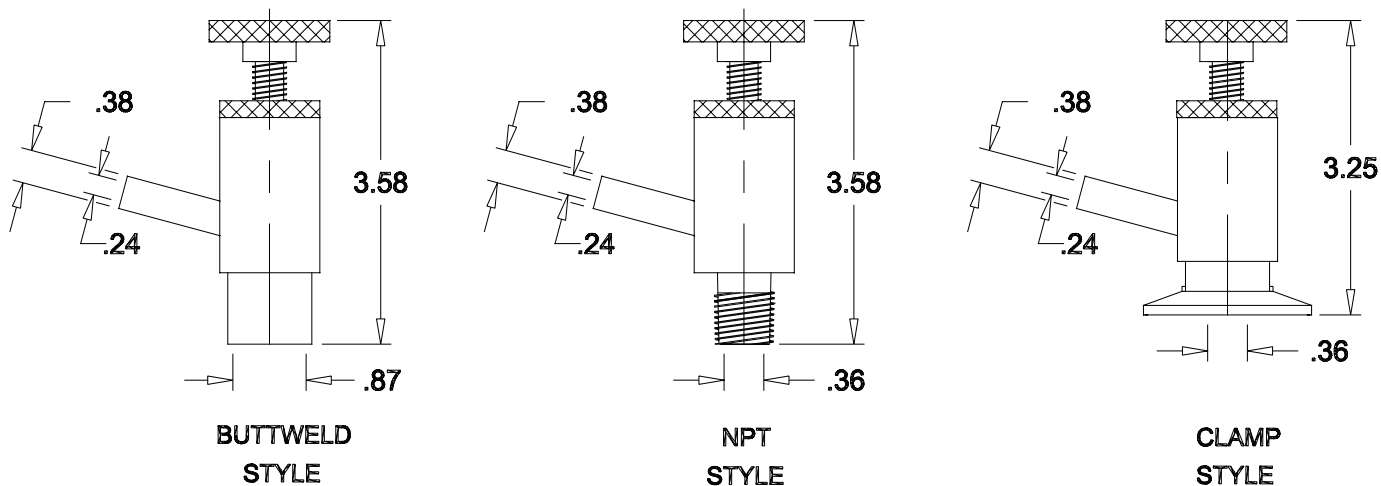
Sample Valves

W Series Sample Valves - BSVW*S

Features:

- 304 stainless steel
- double silicone O-rings
- silicone or PTFE seat ensures a leak-proof shut-off
- surface finish polished to sanitary standards
- temperature rating: **300°F at 200 PSI**

| Size | Style | Seat Material | Weight (lbs) | 304 Stainless Steel Part Number |
|------|-------|---------------|--------------|---------------------------------|
| 3/8" | NPT | silicone | 0.72 | BSVWNS-G375 |
| 3/8" | NPT | PTFE | 0.72 | BSVWNP-G375 |
| 1" | clamp | silicone | 0.88 | BSVWCS-G100 |
| 1" | clamp | PTFE | 0.88 | BSVWCP-G100 |
| 1" | weld | silicone | 0.72 | BSVWBS-G100 |
| 1" | weld | PTFE | 0.72 | BSVWBP-G100 |

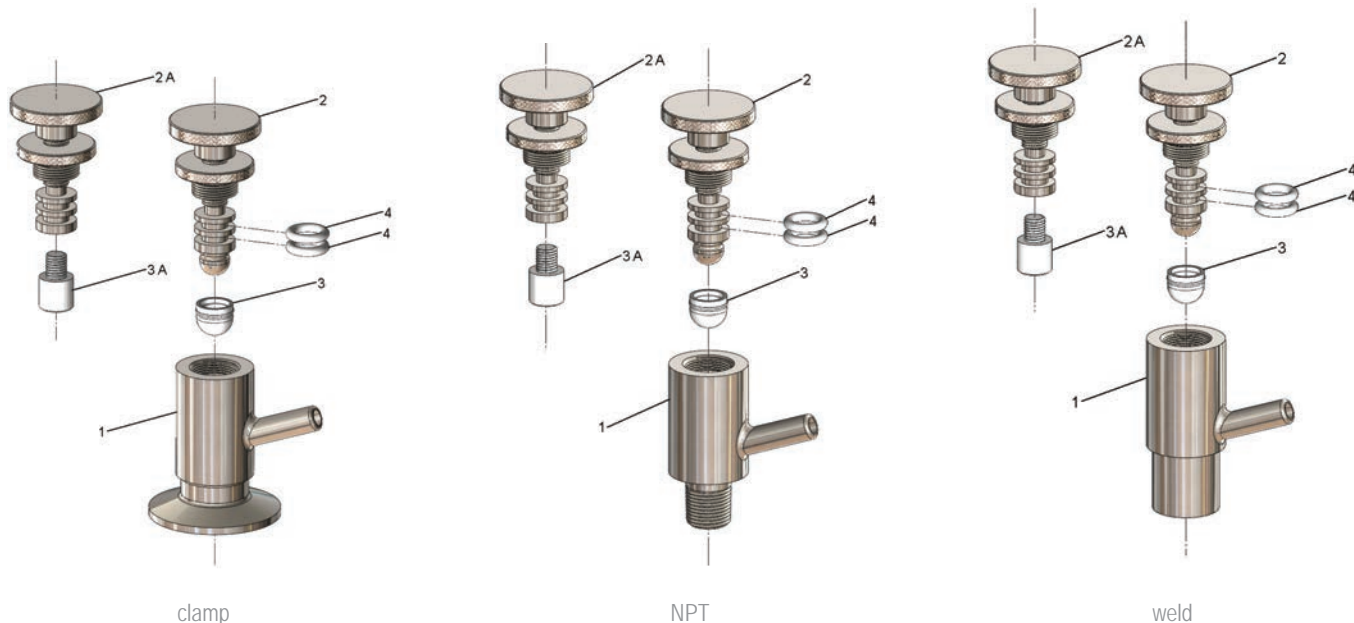


ALL VALVES ARE SHOWN FULLY OPEN

All dimensions are in inches unless otherwise noted. Engineering dimensions are available upon request. Specifications are subject to change without notice.

Sample Valves

W Series Sample Valves - BSVW*S Bill of Materials



| Item # | Description | Material | Quantity |
|--------|----------------------|---------------------|----------|
| 1 | body - clamp | 304 stainless steel | 1 |
| 1 | body - NPT | 304 stainless steel | 1 |
| 1 | body - weld | 304 stainless steel | 1 |
| 2 | knob / stem assembly | 304 stainless steel | 1 |
| 2A | knob / stem assembly | 304 stainless steel | 1 |
| 3 | seat | silicone | 1 |
| 3A | seat | PTFE | 1 |
| 4 | O-rings | silicone | 2 |

Repair Kits

BSVW-RKS repair kit contains:

- (2) silicone O-rings
- (1) silicone seat

BSVW-RKP repair kit contains:

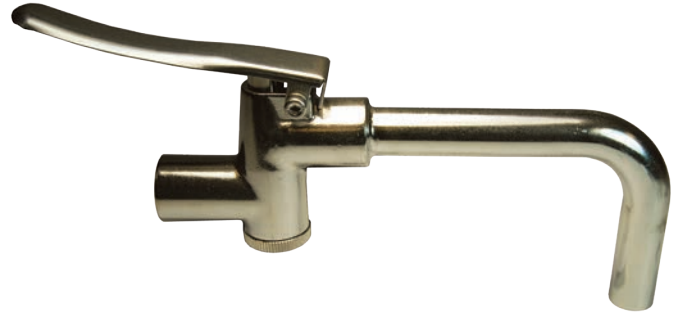
- (2) silicone O-rings
- (1) PTFE seat

Topping Gun

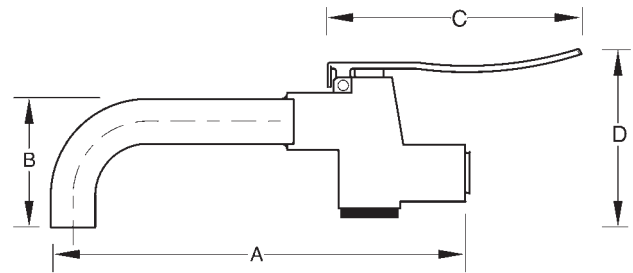
Topping Gun - BTG

Features:

- all 304 stainless steel construction
- ½" female NPT inlet
- ¾" OD tube outlet
- squeeze handle for easy opening and control
- spring loaded trigger for positive shutoff
- EPDM seals and gaskets



| A | B | C | D | Part Number |
|-------|-------|-------|-------|----------------|
| 8.094 | 3.375 | 4.750 | 4.563 | BTG-G50 |



All dimensions are in inches unless otherwise noted. Engineering dimensions are available upon request. Specifications are subject to change without notice.

Sanitary Gaskets



Materials available:

- Nitrile (Buna N)
- Silicone (peroxide cured)
- EPDM
- FKM
- PTFE

Certified as required to:

- US Pharmacopoeia Class VI Cytotoxicity Criteria
- Title 21CFR177.2600 & .1550
- USDA and 3A Sanitary Standards

All elastomeric gaskets require periodic replacement. Gasket life is influenced by the gasket material, product application, temperature, cleaning procedures, etc. After monitoring gasket conditions in a process system, a schedule should be developed for replacement of gaskets.

Color Coding - Identification of Gasket Materials

| Elastomer | Part Number Identifier | Color Code | Useful Temperature |
|---------------------|------------------------|-----------------------------|--------------------|
| Buna-N | U | 1 red dot | -25°F to 225°F |
| White Buna-N | UW | 1 red dot | -25°F to 225°F |
| EPDM | E | 3 green dots | -40°F to 275°F |
| peroxide cured | | | |
| FKM | SFY | 1 white dot 1 yellow dot | -15°F to 375°F |
| Silicone | XW | 1 pink dot | -50°F to 400°F |
| peroxide cured | | | |
| Silicone | XC | none | -50°F to 400°F |
| peroxide cured | | | |
| PTFE | G | none | -10°F to 300°F |
| PTFE | GTS | none | -20°F to 450°F |
| w/50% 316 particles | | | |

Packaging and Storing Information

The shelf life of rubber gaskets is the maximum period from cure date to the date the product is installed. During the shelf life time, the rubber product is expected to retain its characteristics under the following conditions:

- stored in original packaging in a clean, dry warehouse
- not exposed to direct sunlight
- stored no closer than 6 feet from electric motors
- temperature between **65°F to 85°F**

A guideline for shelf life of rubber gaskets manufactured from the following components should have the following shelf life not to exceed:

- Buna 10 years
- EPDM 10 years
- FKM 10 years
- Silicone 5 years
- PTFE 20 years



Call Toll Free: 1-866-711-4673
International: + 1-727-342-5086



Particulate Reference Chart

316 Square Mesh Wire Cloth Information

- special order parts, minimum order quantities required

| Mesh | Micron Equivalent | Opening Width | Wire Diameter | Openings per Square Inch |
|------------------|-------------------|---------------|---------------|--------------------------|
| 4 | 5400 | .215 | .035 | 16 |
| 6 | 3221 | .132 | .035 | 36 |
| 8 | 2441 | .097 | .028 | 64 |
| 9 | 2089 | .083 | .025 | 81 |
| 10 ¹ | 1887 | .075 | .023 | 100 |
| 12 | 1510 | .050 | .023 | 144 |
| 14 ² | 1283 | .051 | .020 | 196 |
| 16 | 1082 | .0455 | .016 | 256 |
| 20 | 855 | .034 | .016 | 400 |
| 30 | 427 | .017 | .016 | 900 |
| 35 | 422 | .0168 | .0118 | 1275 |
| 40 | 377 | .015 | .010 | 1600 |
| 50 | 276 | .011 | .009 | 2500 |
| 60 | 226 | .009 | .0075 | 3600 |
| 80 | 176 | .007 | .0055 | 6400 |
| 100 ³ | 151 | .006 | .0045 | 10,000 |
| 120 ³ | 120 | .0048 | .0035 | 14,400 |
| 150 ³ | 103 | .0041 | .0026 | 22,500 |
| 200 ³ | 73 | .0029 | .0021 | 40,000 |



- ¹ standard size for clamp style gaskets
- ² standard size for bevel seat size gaskets
- ³ available in only 1", 1½" and 2" sizes

Perforated 316 Disc Information

- 1 micron = .00003973 inches
- special order - minimums apply

| Hole Diameter | Micron Equivalent | Open Area |
|--------------------|-------------------|-----------|
| .020" | 503 | 30% |
| .033" ¹ | 803 | 28% |
| .063" | 1573 | 23% |
| .100" | 2517 | 33% |
| .125" | 3146 | 40% |
| .250" | 6350 | 58% |

- ¹ standard size for clamp style



A Guideline for Compound Selection for Use with Various Fluids and Chemicals

Note: The information contained in these tables was derived from several sources and is to be used as a general guide only. Compounds suitable for any specific application rests solely by the end user. Dixon Sanitary assumes no responsibility. All effect ratings assume static conditions at ambient temperatures.

A - satisfactory

B - fair

C - severe effect; except for some static applications

D - unsatisfactory

E - insufficient information

| fluid | material | | | | |
|----------------------------|----------|------|-----|------|----------|
| | Buna | EPDM | FKM | PTFE | Silicone |
| Acetaldehyde | D | A | D | A | B |
| Acetamide | A | A | B | A | B |
| Acetic Acid, 30% | B | A | B | A | A |
| Acetone | D | A | D | A | C |
| Acetophenone | D | A | D | A | D |
| Acetyl Chloride | D | D | A | A | C |
| Acetylene | A | A | A | A | B |
| Acrylonitrile | D | D | C | A | D |
| Adipic Acid | A | A | E | E | E |
| Ammonia Gas (cold) | A | A | D | A | A |
| Ammonium Chloride (aq) | A | A | A | A | E |
| Ammonium Hydroxide (conc.) | D | A | B | A | A |
| Ammonium Nitrate (aq) | A | A | E | A | E |
| Ammonium Nitrite (aq) | A | A | E | E | B |
| Ammonium Phosphate (aq) | A | A | E | A | A |
| Ammonium Sulfate (aq) | A | A | D | A | E |
| Amyl Acetate (Banana Oil) | D | A | D | A | D |
| Amyl Alcohol | B | A | B | A | D |
| Amyl Borate | A | D | A | A | E |
| Arsenic Acid | A | A | A | E | A |
| Arsenic Trichloride (aq) | A | C | E | E | E |
| Barium Chloride (aq) | A | A | A | A | A |
| Barium Hydroxide (aq) | A | A | A | A | A |
| Barium Sulfate (aq) | A | A | A | A | A |
| Barium Sulfide (aq) | A | A | A | A | A |
| Benzaldehyde | D | A | D | A | B |
| Benzene | D | D | A | A | D |
| Benzoic Acid | C | C | A | A | C |
| Benzoyl Chloride | D | D | A | A | E |
| Benzyl Alcohol | D | A | A | A | B |
| Benzyl Chloride | D | D | A | A | D |
| Boric Acid | A | A | A | A | A |
| Brine | A | A | A | A | A |
| Bromine, Anhydrous | D | D | A | E | D |
| Bromine Water | D | B | A | E | D |
| Butadiene | D | C | A | A | D |
| Butane | A | D | A | A | D |

| fluid | material | | | | |
|---------------------------|----------|------|-----|------|----------|
| | Buna | EPDM | FKM | PTFE | Silicone |
| Butyl Acetyl Ricinoleate | C | A | A | E | E |
| Butyl Alcohol | A | B | A | A | B |
| Butyl Amine | C | B | D | E | D |
| Butyl Benzoate | D | B | A | E | E |
| Butyl Carbitol | D | A | A | A | D |
| Butyl Cellosolve | D | A | D | A | E |
| Butyl Oleate | D | B | A | E | E |
| Butyl Stearate | B | C | A | E | E |
| Butylene | B | D | A | E | D |
| Butyraldehyde | D | B | D | E | D |
| Carbolic Acid (Phenol) | D | B | A | A | D |
| Carbon Bisulfide | C | D | A | E | D |
| Carbon Dioxide | A | B | A | E | B |
| Carbonic Acid | B | A | A | E | A |
| Carbon Monoxide | A | A | A | A | A |
| Carbon Tetrachloride | C | D | A | A | D |
| Castor Oil | A | B | A | A | A |
| Cellosolve Acetate | D | B | D | A | D |
| China Wood Oil (Tung Oil) | A | C | A | A | D |
| Chlorine (wet) | D | C | A | A | D |
| Chlorine Dioxide | D | C | A | A | E |
| Chloroacetic Acid | D | A | D | A | E |
| Chloroacetone | D | A | D | E | D |
| Chlorobenzene | D | D | A | E | D |
| Chlorobromomethane | D | B | A | E | D |
| Chloroform | D | D | A | A | D |
| Chlorotoluene | D | D | A | E | D |
| Chrome Plating Solutions | D | C | A | A | C |
| Chromic Acid | D | B | A | A | B |
| Cod Liver Oil | A | A | A | A | B |
| Copper Acetate (aq) | B | A | D | E | D |
| Copper Chloride (aq) | A | A | A | A | A |
| Copper Cyanide (aq) | A | A | A | A | A |
| Copper Sulfate (aq) | A | A | A | A | A |
| Creosote (coal tar) | A | D | A | A | D |
| Cresylic Acid | D | D | A | E | D |
| Cyclohexane | A | D | A | A | D |

| fluid | material | | | | |
|---------------------------------|----------|------|-----|------|----------|
| | Buna | EPDM | FKM | PTFE | Silicone |
| Cyclohexanone | D | B | D | E | D |
| Denatured Alcohol | A | A | A | A | A |
| Detergent Solutions | A | A | A | A | A |
| Diacetone Alcohol | D | A | D | A | B |
| Dibenzyl Ether | D | B | D | A | E |
| Dibenzyl Sebecate | D | B | B | E | C |
| Dibromoethyl Benzene (Alkazene) | D | D | B | E | D |
| Dibutyl Amine | D | C | D | E | C |
| Dibutyl Ether | D | C | C | E | D |
| Dibutyl Phthalate | D | B | C | A | B |
| Dibutyl Sebecate | D | B | B | E | B |
| O-Dichlorobenzene | D | D | A | E | D |
| Dichloro-Isopropyl Ether | D | C | C | E | D |
| Diethylamine | B | B | D | A | B |
| Diethyl Benzene | D | D | A | E | D |
| Diethyl Ether | D | D | D | E | D |
| Diethylene Glycol | A | A | A | E | B |
| Diethyl Sebecate | B | B | B | E | B |
| Diisobutylene | B | D | A | E | D |
| Diisopropyl Benzene | D | D | A | E | E |
| Diisopropyl Ketone | D | A | D | E | D |
| Diisopropylidene Acetone | D | C | D | E | D |
| Dimethyl Aniline (Xylidine) | C | B | D | E | D |
| Dimethyl Ether (Methyl Ether) | A | D | A | E | A |
| Dimethyl Formamide | B | B | D | E | B |
| Dimethyl Phthalate | D | B | B | E | E |
| Dinitrotoluene | D | D | D | E | D |
| Diocetyl Phthalate | C | B | B | E | C |
| Diocetyl Sebecate | D | B | B | E | C |
| Dioxane | D | B | D | E | D |
| Dioxolane | D | B | D | E | D |
| Dipentene | A | D | A | E | D |
| Diphenyl (Phenylbenzene) | D | D | A | E | D |
| Diphenyl Oxides | D | D | A | E | C |
| Dowtherm Oil | D | D | A | A | C |
| Ethane | A | D | A | A | D |
| Ethanolamine | B | B | D | E | B |
| Ethyl Acetate | D | B | D | E | B |
| Ethyl Acetoacetate | D | B | D | E | B |
| Ethyl Acrylate | D | B | D | E | B |
| Ethyl Alcohol | A | A | C | A | A |
| Ethyl Benzene | D | D | A | A | D |
| Ethyl Benzoate | D | A | A | A | D |
| Ethyl Cellosolve | D | B | D | E | D |
| Ethyl Cellulose | B | B | D | A | C |

| fluid | material | | | | |
|--------------------------------|----------|------|-----|------|----------|
| | Buna | EPDM | FKM | PTFE | Silicone |
| Ethyl Chlorocarbonate | D | B | A | A | D |
| Ethyl Chloroformate | D | B | D | E | D |
| Ethyl Ether | C | C | D | A | D |
| Ethyl Pentachlorobenzene | D | D | A | A | D |
| Ethylene | A | B | A | A | E |
| Ethylene Chloride | D | C | B | E | D |
| Ethylene Diamine | A | A | D | E | A |
| Ethylene Dichloride | D | C | A | A | D |
| Ethylene Glycol | A | A | A | A | A |
| Fluoroboric Acid | A | A | E | E | E |
| Freon 11 | B | D | A | A | D |
| Freon 12 | A | B | B | A | D |
| Freon 22 | D | A | D | A | D |
| Fumaric Acid | A | B | A | E | B |
| Gallic Acid | B | B | A | A | E |
| Gasoline | B | D | A | A | D |
| Glucose | A | A | A | A | A |
| Glycerin | A | A | A | A | A |
| Hexane | A | D | A | A | D |
| Hexyl Alcohol | A | C | A | A | B |
| Hydrazine | B | A | D | A | C |
| Hydrobromic Acid | D | A | A | E | D |
| Hydrocyanic Acid | B | A | A | A | C |
| Hydrofluoric Acid (conc.) cold | D | C | A | A | D |
| Hydrofluosilicic Acid | B | B | A | E | D |
| Hydrogen Gas | A | A | A | A | C |
| Hydrogen Peroxide (90%) | D | B | B | E | B |
| Hydrogen Sulfide (wet) cold | D | A | D | E | C |
| Hydroquinone | C | B | B | A | E |
| Iodoform | E | D | E | E | E |
| Isobutyl Alcohol | B | A | A | A | A |
| Isooctane | A | D | A | E | D |
| Isopropyl Acetate | D | B | D | A | D |
| Isopropyl Alcohol | B | A | A | A | A |
| Isopropyl Chloride | D | D | A | A | D |
| Isopropyl Ether | B | D | D | A | D |
| Kerosene | A | D | A | A | D |
| Lacquers | D | D | D | A | D |
| Lactic Acid (cold) | A | A | A | A | A |
| Lead Acetate (aq) | B | A | D | E | D |
| Lead Nitrite (aq) | A | A | E | E | B |
| Lime Bleach | A | A | A | E | B |
| Linoleic Acid | B | D | B | A | B |
| Maleic Acid | D | B | A | A | E |
| Malic Acid | A | B | A | E | B |
| Methane | A | D | B | A | D |

| fluid | material | | | | |
|----------------------------|----------|------|-----|------|----------|
| | Buna | EPDM | FKM | PTFE | Silicone |
| Methyl Acrylate | D | B | D | A | D |
| Methylacrylic Acid | D | B | D | E | D |
| Methyl Alcohol | A | A | D | A | A |
| Methyl Bromide | B | D | A | A | E |
| Methyl Butyl Ketone | D | A | D | A | C |
| Methyl Cellosioive | C | B | D | A | D |
| Methyl Chloride | D | C | B | A | D |
| Methyl Cyclopentane | D | D | B | E | D |
| Methylene Chloride | D | C | B | E | D |
| Methyl Ether | A | D | A | A | A |
| Methyl Ethyl Ketone | D | A | D | A | D |
| Methyl Isobutyl Ketone | D | B | D | A | D |
| Methyl Methacrylate | D | C | D | A | D |
| Milk | A | A | A | A | A |
| Mineral Oil | A | C | A | C | B |
| Monoethanol Amine | D | A | D | E | B |
| Monomethyl Ether | A | D | A | E | A |
| Monovinyl Acetylene | A | A | A | A | B |
| Mustard Gas | E | A | E | E | A |
| Naphthalenic Acid | B | D | A | A | D |
| Natural Gas | A | D | A | A | A |
| Nickel Acetate (aq) | B | A | D | E | D |
| Nickel Chloride (aq) | A | A | A | A | A |
| Nickel Sulfate (aq) | A | A | A | A | A |
| Nitric Acid (dilute) | D | B | A | A | B |
| Nitrobenzene (Ligroin) | A | D | A | A | D |
| Nitroethane | D | B | D | A | D |
| Nitrogen Tetroxide | D | C | D | A | D |
| Octachlorotoluene | D | D | A | E | D |
| Octadecane | A | D | A | E | D |
| N-Octane | B | D | A | A | D |
| Octyl Alcohol | B | C | A | A | B |
| Oleic Acid | C | D | B | A | D |
| Oxalic Acid | B | A | A | E | B |
| Oxonia | D | A | A | E | A |
| Oxygen - Cold | B | A | A | A | A |
| Ozone | D | A | A | E | A |
| Palmitic Acid | A | B | A | E | D |
| Perchloric Acid | D | B | A | E | D |
| Phenyl Ethyl Ether | D | D | D | E | D |
| Phosphoric Acid - 20% | B | A | A | E | B |
| Phosphorus Trichloride | D | A | A | A | E |
| Piperidine | D | A | D | E | D |
| Polyvinyl Acetate Emulsion | E | A | E | E | E |
| Potassium Acetate (aq) | B | A | D | E | D |
| Potassium Chloride (aq) | A | A | A | A | A |
| Potassium Cyanide (aq) | A | A | A | A | A |

| fluid | material | | | | |
|---------------------------|----------|------|-----|------|----------|
| | Buna | EPDM | FKM | PTFE | Silicone |
| Potassium Nitrate (aq) | A | A | A | A | A |
| i-Propyl Acetate | D | B | D | E | D |
| Propyl Nitrate | D | B | D | E | D |
| Propylene | D | D | A | A | D |
| Pyridine | D | B | D | E | D |
| Salicylic Acid | B | A | A | E | E |
| Silicone Oils | A | A | A | A | C |
| Soap Solutions | A | A | A | A | A |
| Sodium Acetate (aq) | B | A | D | E | D |
| Sodium Bicarbonate (aq) | A | A | A | A | A |
| Sodium Borate (aq) | A | A | A | A | A |
| Sodium Chloride (aq) | A | A | A | A | A |
| Sodium Hydroxide (aq) | B | A | B | A | B |
| Sodium Nitrate (aq) | B | A | E | E | D |
| Sodium Peroxide (aq) | B | A | A | E | D |
| Soybean Oil | A | C | A | A | A |
| Steam, under 300°F | D | A | D | A | C |
| Stearic Acid | B | B | E | A | B |
| Stoddard Solvent | A | D | A | A | D |
| Sulfur Chloride (aq) | C | D | A | B | C |
| Sulfuric Acid (dilute) | C | B | A | E | D |
| Sulfurous Acid | B | B | A | A | D |
| Tannic Acid | A | A | A | A | B |
| Tartaric Acid | A | B | A | A | A |
| Tetrachloroethylene | D | D | A | A | D |
| Toluene | D | D | A | A | D |
| Triethanol Amine | B | A | D | A | E |
| Trioctyl Phosphate | D | A | B | E | C |
| Tung Oil (China Wood Oil) | A | C | A | A | D |
| Turpentine | A | D | A | A | D |
| Vegetable Oils | A | C | A | A | B |
| Vinegar | B | A | A | A | A |
| Whiskey, Wines | A | A | A | A | A |
| White Pine Oil | B | D | A | E | D |
| Zinc Chloride (aq) | A | A | A | A | A |

Fraction - Decimal Conversion Chart

| | <u>Inches</u> | <u>Millimeters</u> | | <u>Inches</u> | <u>Millimeters</u> | | |
|-----------------|-----------------------------------|--------------------|----------------|-----------------------------------|--------------------|----------------|---------|
| | $\frac{1}{64}$ | .015625 | .3969 | $\frac{33}{64}$ | .515625 | 13.0969 | |
| $\frac{1}{32}$ | | .03125 | .7938 | $\frac{17}{32}$ | | .53125 | 13.4938 |
| | $\frac{3}{64}$ | .046875 | 1.1906 | $\frac{35}{64}$ | .546875 | 13.8907 | |
| $\frac{1}{16}$ | | .0625 | 1.5875 | $\frac{9}{16}$ | | .5625 | 14.2876 |
| | $\frac{5}{64}$ | .078125 | 1.9844 | $\frac{37}{64}$ | .578125 | 14.6844 | |
| $\frac{3}{32}$ | | .09375 | 2.3813 | $\frac{19}{32}$ | | .59375 | 15.0813 |
| | $\frac{7}{64}$ | .109375 | 2.7781 | $\frac{39}{64}$ | .609375 | 15.4782 | |
| $\frac{1}{8}$ | | .125 | 3.1750 | $\frac{5}{8}$ | | .625 | 15.8751 |
| | $\frac{9}{64}$ | .140625 | 3.5719 | $\frac{41}{64}$ | .640625 | 16.2719 | |
| $\frac{5}{32}$ | | .15625 | 3.9688 | $\frac{21}{32}$ | | .65625 | 16.6688 |
| | $\frac{11}{64}$ | .171875 | 4.3656 | $\frac{43}{64}$ | .671875 | 17.0657 | |
| $\frac{3}{16}$ | | .1875 | 4.7625 | $\frac{11}{16}$ | | .6875 | 17.4626 |
| | $\frac{13}{64}$ | .203125 | 5.1594 | $\frac{45}{64}$ | .703125 | 17.8594 | |
| $\frac{7}{32}$ | | .21875 | 5.5563 | $\frac{23}{32}$ | | .71875 | 18.2563 |
| | $\frac{15}{64}$ | .234375 | 5.9531 | $\frac{47}{64}$ | .734375 | 18.6532 | |
| $\frac{1}{4}$ | | .250 | 6.3500 | $\frac{3}{4}$ | | .750 | 19.0501 |
| | $\frac{17}{64}$ | .265625 | 6.7469 | $\frac{49}{64}$ | .765625 | 19.4470 | |
| $\frac{9}{32}$ | | .28125 | 7.1438 | $\frac{25}{32}$ | | .78125 | 19.8438 |
| | $\frac{19}{64}$ | .296875 | 7.5406 | $\frac{51}{64}$ | .796875 | 20.2407 | |
| $\frac{5}{16}$ | | .3125 | 7.9375 | $\frac{13}{16}$ | | .8125 | 20.6376 |
| | $\frac{21}{64}$ | .328125 | 8.3344 | $\frac{53}{64}$ | .828125 | 21.0345 | |
| $\frac{11}{32}$ | | .34375 | 8.7313 | $\frac{27}{32}$ | | .84375 | 21.4313 |
| | $\frac{23}{64}$ | .359375 | 9.1282 | $\frac{55}{64}$ | .859375 | 21.8282 | |
| $\frac{3}{8}$ | | .375 | 9.5250 | $\frac{7}{8}$ | | .875 | 22.2251 |
| | $\frac{25}{64}$ | .390625 | 9.9219 | $\frac{57}{64}$ | .890625 | 22.6220 | |
| $\frac{13}{32}$ | | .40625 | 10.3188 | $\frac{29}{32}$ | | .90625 | 23.0188 |
| | $\frac{27}{64}$ | .421875 | 10.7157 | $\frac{59}{64}$ | .921875 | 23.4157 | |
| $\frac{7}{16}$ | | .4375 | 11.1125 | $\frac{15}{16}$ | | .9375 | 23.8126 |
| | $\frac{29}{64}$ | .453125 | 11.5094 | $\frac{61}{64}$ | .953125 | 24.2095 | |
| $\frac{15}{32}$ | | .46875 | 11.9063 | $\frac{31}{32}$ | | .96875 | 24.6063 |
| | $\frac{31}{64}$ | .484375 | 12.3032 | $\frac{63}{64}$ | .984375 | 25.0032 | |

Temperature Conversions

Look up reading in middle column (shaded). If in degrees Centigrade, read Fahrenheit equivalent in right-hand column; if in degrees Fahrenheit, read Centigrade equivalent in left-hand column.

| °C | °F | °C | °F |
|-------|------|-------|----|
| -73 | -100 | -148 | |
| -68 | -90 | -130 | |
| -62 | -80 | -112 | |
| -57 | -70 | -94 | |
| -51 | -60 | -76 | |
| -46 | -50 | -58 | |
| -40 | -40 | -40 | |
| -34 | -30 | -22 | |
| -29 | -20 | -4 | |
| -23 | -10 | 14 | |
| -17.8 | 0 | 32 | |
| -17.2 | 1 | 33.8 | |
| -16.7 | 2 | 35.6 | |
| -16.1 | 3 | 37.4 | |
| -15.6 | 4 | 39.2 | |
| -15.0 | 5 | 41.0 | |
| -14.4 | 6 | 42.8 | |
| -13.9 | 7 | 44.6 | |
| -13.3 | 8 | 46.4 | |
| -12.8 | 9 | 48.2 | |
| -12.2 | 10 | 50.0 | |
| -11.7 | 11 | 51.8 | |
| -11.1 | 12 | 53.6 | |
| -10.6 | 13 | 55.4 | |
| -10.0 | 14 | 57.2 | |
| -9.4 | 15 | 59.0 | |
| -8.9 | 16 | 60.8 | |
| -8.3 | 17 | 62.6 | |
| -7.8 | 18 | 64.4 | |
| -7.2 | 19 | 66.2 | |
| -6.7 | 20 | 68.0 | |
| -6.1 | 21 | 69.8 | |
| -5.6 | 22 | 71.6 | |
| -5.0 | 23 | 73.4 | |
| -4.4 | 24 | 75.2 | |
| -3.9 | 25 | 77.0 | |
| -3.3 | 26 | 78.8 | |
| -2.8 | 27 | 80.6 | |
| -2.2 | 28 | 82.4 | |
| -1.7 | 29 | 84.2 | |
| -1.1 | 30 | 86.0 | |
| -.6 | 31 | 87.8 | |
| 0 | 32 | 89.6 | |
| .6 | 33 | 91.4 | |
| 1.1 | 34 | 93.2 | |
| 1.7 | 35 | 95.0 | |
| 2.2 | 36 | 96.8 | |
| 2.8 | 37 | 98.6 | |
| 3.3 | 38 | 100.4 | |
| 3.9 | 39 | 102.2 | |
| 4.4 | 40 | 104.0 | |

| °C | °F | °C | °F |
|------|----|-------|----|
| 5.0 | 41 | 105.8 | |
| 5.6 | 42 | 107.6 | |
| 6.1 | 43 | 109.4 | |
| 6.7 | 44 | 111.2 | |
| .72 | 45 | 113.0 | |
| 7.8 | 46 | 114.8 | |
| 8.3 | 47 | 116.6 | |
| 8.9 | 48 | 118.4 | |
| 9.4 | 49 | 120.2 | |
| 10.0 | 50 | 122.0 | |
| 10.6 | 51 | 123.8 | |
| 11.1 | 52 | 125.6 | |
| 11.7 | 53 | 127.4 | |
| 12.2 | 54 | 129.2 | |
| 12.8 | 55 | 131.0 | |
| 13.3 | 56 | 132.8 | |
| 13.9 | 57 | 134.6 | |
| 14.4 | 58 | 136.4 | |
| 15.0 | 59 | 138.2 | |
| 15.6 | 60 | 140.0 | |
| 16.1 | 61 | 141.8 | |
| 16.7 | 62 | 143.6 | |
| 17.2 | 63 | 145.4 | |
| 17.8 | 64 | 147.2 | |
| 18.3 | 65 | 149.0 | |
| 18.9 | 66 | 150.8 | |
| 19.4 | 67 | 152.6 | |
| 20.0 | 68 | 154.4 | |
| 20.6 | 69 | 156.2 | |
| 21.1 | 70 | 158.0 | |
| 21.7 | 71 | 159.8 | |
| 22.2 | 72 | 161.6 | |
| 22.8 | 73 | 163.4 | |
| 23.3 | 74 | 165.2 | |
| 23.9 | 75 | 167.0 | |
| 24.4 | 76 | 168.8 | |
| 25.0 | 77 | 170.6 | |
| 25.6 | 78 | 172.4 | |
| 26.1 | 79 | 174.2 | |
| 26.7 | 80 | 176.0 | |
| 27.2 | 81 | 177.8 | |
| 27.8 | 82 | 179.6 | |
| 28.3 | 83 | 181.4 | |
| 28.9 | 84 | 183.2 | |
| 29.4 | 85 | 185.0 | |
| 30.0 | 86 | 186.8 | |
| 30.6 | 87 | 188.6 | |
| 31.1 | 88 | 190.4 | |
| 31.7 | 89 | 192.2 | |
| 32.2 | 90 | 194.0 | |
| 32.8 | 91 | 195.8 | |

| °C | °F | °C | °F |
|------|-----|-------|----|
| 33.3 | 92 | 197.6 | |
| 33.9 | 93 | 199.4 | |
| 34.4 | 94 | 201.2 | |
| 35.0 | 95 | 203.0 | |
| 35.6 | 96 | 204.8 | |
| 36.1 | 97 | 206.6 | |
| 36.7 | 98 | 208.4 | |
| 37.2 | 99 | 210.2 | |
| 37.8 | 100 | 212.0 | |
| 43 | 110 | 230 | |
| 49 | 120 | 248 | |
| 54 | 130 | 266 | |
| 60 | 140 | 284 | |
| 66 | 150 | 302 | |
| 71 | 160 | 320 | |
| 77 | 170 | 338 | |
| 82 | 180 | 356 | |
| 88 | 190 | 374 | |
| 93 | 200 | 392 | |
| 99 | 210 | 410 | |
| 100 | 212 | 413.6 | |
| 104 | 220 | 428 | |
| 110 | 230 | 446 | |
| 116 | 240 | 464 | |
| 121 | 250 | 482 | |
| 127 | 260 | 500 | |
| 132 | 270 | 518 | |
| 138 | 280 | 536 | |
| 143 | 290 | 554 | |
| 149 | 300 | 572 | |
| 154 | 310 | 590 | |
| 160 | 320 | 608 | |
| 166 | 320 | 626 | |
| 170 | 338 | 640 | |
| 171 | 340 | 644 | |
| 177 | 350 | 662 | |
| 182 | 360 | 680 | |
| 186 | 366 | 691 | |
| 188 | 370 | 698 | |
| 193 | 380 | 716 | |
| 198 | 388 | 730 | |
| 199 | 390 | 734 | |
| 204 | 400 | 752 | |
| 208 | 406 | 763 | |
| 210 | 410 | 770 | |
| 216 | 420 | 788 | |
| 221 | 430 | 806 | |
| 227 | 440 | 824 | |
| 232 | 450 | 842 | |

Water Data and Formulas

(no losses included)

1 gallon water = 231 cubic inches = 8.333 pounds

1 pound of water = 27.7 cubic inches

1 cubic foot water = 7.5 gallons = 62.5 pounds (salt water weighs approximately 64.3 pounds per cubic foot)

Pounds per square inch at bottom of a column of water = height of column in feet x .434

Horsepower to Raise Water

If pumping liquid other than water, multiply the gallons per minute below by the liquids specific gravity

$$\text{Horsepower} = \frac{\text{gallons per minute} \times \text{total head in feet}}{3960}$$

Gallons Per Minute through a Pipe

GPM = .0408 x pipe diameter inches² x feet/minute water velocity

Weight of Water in a Pipe

Pounds water = pipe length feet x pipe diameter inches² x .34

| Water Level (inches) | Gallons per Minute Discharge for a Given Nominal Pipe Diameter (inches) | | | | |
|----------------------|---|------|------|------|------|
| | 5 | 6 | 8 | 10 | 12 |
| 5 | 163 | --- | --- | --- | --- |
| 6 | 195 | 285 | --- | --- | --- |
| 7 | 228 | 334 | 580 | --- | --- |
| 8 | 260 | 380 | 665 | 1060 | --- |
| 9 | 293 | 430 | 750 | 1190 | 1660 |
| 10 | 326 | 476 | 830 | 1330 | 1850 |
| 11 | 360 | 525 | 915 | 1460 | 2020 |
| 12 | 390 | 570 | 1000 | 1600 | 2220 |
| 13 | 425 | 620 | 1080 | 1730 | 2400 |
| 14 | 456 | 670 | 1160 | 1860 | 2590 |
| 15 | 490 | 710 | 1250 | 2000 | 2780 |
| 16 | 520 | 760 | 1330 | 2120 | 2960 |
| 17 | 550 | 810 | 1410 | 2260 | 3140 |
| 18 | 590 | 860 | 1500 | 2390 | 3330 |
| 19 | 620 | 910 | 1580 | 2520 | 3500 |
| 20 | 650 | 950 | 1660 | 2660 | 3700 |
| 21 | 685 | 1000 | 1750 | 2800 | 3890 |
| 22 | 720 | 1050 | 1830 | 2920 | 4060 |
| 23 | 750 | 1100 | 1910 | 3060 | 4250 |
| 24 | --- | 1140 | 2000 | 3200 | 4440 |

Measurement Information

Measures of Pressure

1 Pound Per Square Inch = 144 Pounds Per Square Foot = 0.068 Atmosphere = 2.042 Inches of Mercury at 62°F = 27.7 Inches of Water at 62°F = 2.31 Feet of Water at 62°F.

1 Atmosphere = 30 Inches of Mercury at 62°F = 14.7 Pounds Per Square Inch = 2116.3 Pounds Per Square Foot = 33.95 Feet of Water at 62°F.

1 Foot of Water at 62°F = 62.355 Pounds Per Square Foot = 0.433 Pounds Per Square Inch.

1 Inch of Mercury at 62°F = 1.132 Feet of Water = 13.58 Inches of Water = 0.491 Pounds Per Square Inch.

Column of Water 12 Inches High, 1 Inch in Diameter = .341 Pounds

Length Conversion Constants

Millimeters x .039370 = Inches

Meters x 39.370 = Inches

Meters x 3.2808 = Feet

Meters x 1.09361 = Yards

Kilometers x 3,280.8 = Feet

Kilometers x .62137 = Statute Mile

Kilometers x .53959 = Nautical Miles

Inches x 25.4001 = Millimeters

Inches x .0254 = Meters

Feet x .30480 = Meters

Yards x .91440 = Meters

Feet x .0003048 = Kilometers

Statute Miles x 1.60935 = Kilometers

Nautical Miles x 1.85325 = Kilometers

Weight Conversion Constants

Grams x .03527 = Ounces (Avd.)

Grams x .033818 = Fluid Ounces (Water)

Kilograms x 35.27 = Ounces (Avd.)

Kilograms x 2.20462 = Pounds (Avd.)

Ounces (Avd.) x 28.35 = Grams

Fluid Ounces (Water) x 29.57 = Grams

Ounces (Avd.) x .02835 = Kilograms

Pounds (Avd.) x .45359 = Kilograms

Thread Dimensions

| Size | Pipe OD | Tapered Threads | | Straight Threads | | |
|--------|---------|-----------------|-------------------|------------------|-----------|-----------|
| | | NPT | BSPT _r | Acme 3A | | |
| | | TPI | TPI | TPI | ODM (max) | IDF (min) |
| 1/8" | .405 | 27 | 28 | | | |
| 1/4" | .504 | 18 | 19 | | | |
| 3/8" | .675 | 18 | 19 | | | |
| 1/2" | .840 | 14 | 14 | | | |
| 3/4" | 1.050 | 14 | 14 | | | |
| 1" | 1.315 | 11.5 | 11 | 8 | 1.462 | 1.352 |
| 1-1/4" | 1.660 | 11.5 | 11 | | | |
| 1-1/2" | 1.900 | 11.5 | 11 | 8 | 1.994 | 1.884 |
| 2" | 2.375 | 11.5 | 11 | 8 | 2.526 | 2.416 |
| 2-1/2" | 2.875 | 8 | 11 | 8 | 3.058 | 2.948 |
| 3" | 3.500 | 8 | 11 | 8 | 3.590 | 3.480 |
| 4" | 4.500 | 8 | 11 | 6 | 4.695 | 4.544 |
| 5" | 5.563 | 8 | 11 | | | |
| 6" | 6.625 | 8 | 11 | | | |
| 8" | 8.625 | 8 | | | | |
| 10" | 10.750 | 8 | | | | |
| 12" | 12.750 | 8 | | | | |

ODM -- Outside Diameter of the Male

IDF -- Inside Diameter of the Female

TPI -- Threads Per Inch

GHT (3/4") -- 1.0625 ODM, 11-1/2 TPI

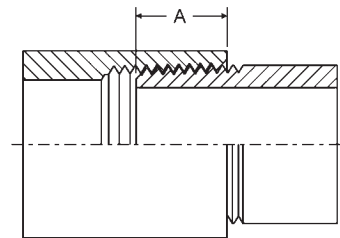
NPT = National Pipe Taper

BS = British Standard

Normal Engagement Length of NPT Thread in Inches (A) *

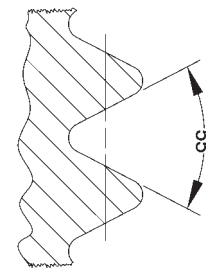
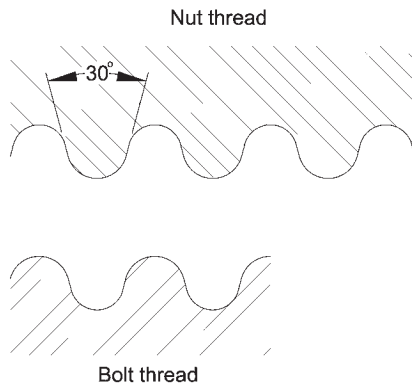
| Pipe Size | A |
|-----------|--------|
| 1/8" | 1/4" |
| 1/4" | 3/8" |
| 3/8" | 3/8" |
| 1/2" | 1/2" |
| 3/4" | 9/16" |
| 1" | 11/16" |
| 1-1/4" | 11/16" |
| 1-1/2" | 11/16" |
| 2" | 3/4" |

| Pipe Size | A |
|-----------|---------|
| 2-1/2" | 15/16" |
| 3" | 1" |
| 4" | 1-1/8" |
| 5" | 1-1/4" |
| 6" | 1-5/16" |
| 8" | 1-7/16" |
| 10" | 1-5/8" |
| 12" | 1-3/4" |



* Dimensions given do not allow for variations in tapping or threading.

Identifying Threads



DIN knuckle threads for sanitary applications have a unique round shape making them easy to identify. There is a 30° included angle between the threads. There are 6 to 8 threads per inch for sanitary fittings. Measuring the ID of the round nut or the OD of the threads on the weld liner will help with identification. As Dixon Sanitary will be offering inch sizes, the

The threads for RJT fittings are British Standard Whitworth. These look similar to straight threads but have a 55° angle and small radii on the tips rather than the flat tips and 60° angle found on U.S. standard straight threads. There are 6 to 8 threads per inch for the sanitary fittings.

Identifying Threads

It is important to identify the threads required before ordering couplings.

Identifying threads can sometimes be the most difficult and frustrating part of coupling selection. However, without the right combination of threads, you may not provide a functional or safe connection.

The diameters, threads per inch (TPI) and thread pitch, etc. are necessary to completely identify a thread. Ring, Plug and GO/NOGO gauges are required to accurately gauge or identify threads. In the field, in the absence of these gauges, thread leaf gauges can be used to identify the Threads Per Inch (TPI) and the thread pitch. On threads you have determined to be straight threads, a caliper can be used to measure the Outside Diameter of the Male (ODM) or the Inside Diameter of the Female (IDF). A caliper can also be used to take measurements of tapered thread diameters. However, these are more difficult to define because of the taper. Fortunately, there are few tapered threads to deal with and these can usually be identified from the nominal ODM and the TPI.

However, identifying the thread may not fully identify what is needed in a mating fitting. The application is the primary *limiting factor on the thread type used*. Dixon offers products with a wide variety of threads used with hose, pipe and hydraulics.

When attempting to choose a fitting, it is always advisable to first identify the thread to which it must connect. This may entail checking with a fitting or equipment manufacturer.

When it is not possible to identify the thread:

- 1) Determine the number of threads per inch by measuring the distance from peak of thread to peak of thread across the largest number of whole threads. Then divide the number of threads by the measurement
(This will provide the TPI).

- 2) Check to see if the thread is straight or tapered or flat thread.

a) Straight Threads

Measure the Outside Diameter of the Male (ODM) or the Inside Diameter of the Female (IDF), from peak of thread to peak of thread.

b) Tapered Threads

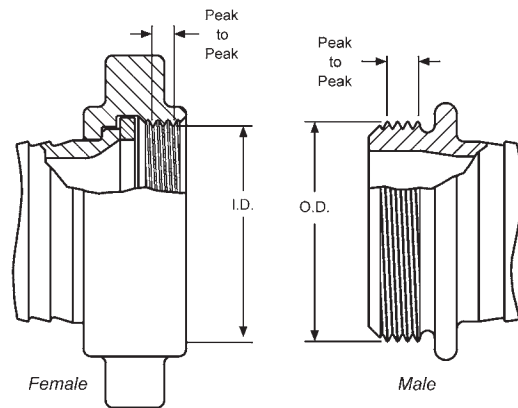
Measure the Outside Diameter of the Male (ODM) at the large end and the small end, or the Inside Diameter of the Female (IDF) at the large end and the small end, from peak of thread to peak of thread. Then measure the Outside Diameter (OD) of the unthreaded pipe.

c) Flat (ACME) Threads

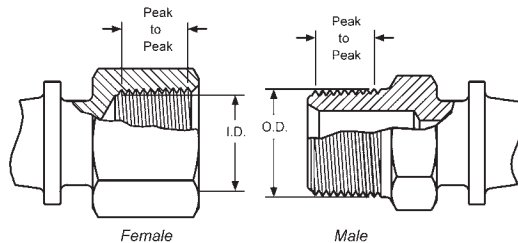
Acme threads are used for bevel seat and John Perry fittings in sanitary installations. Sizes 1" to 3" (tube size) have 8 threads per (TPI) and the 4" has 6 TPI. There is not a sharp point on this thread and it is a straight thread. The tops of the threads are flat and there is typically a 29° included angle between the threads. Measure the outside diameter of the male (OD) or inside diameter of the female (ID)

Once the application and these two pieces of information have been determined, the thread can generally be determined. When in doubt, contact the factory.

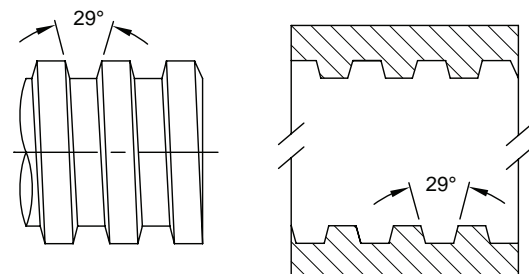
Straight Thread



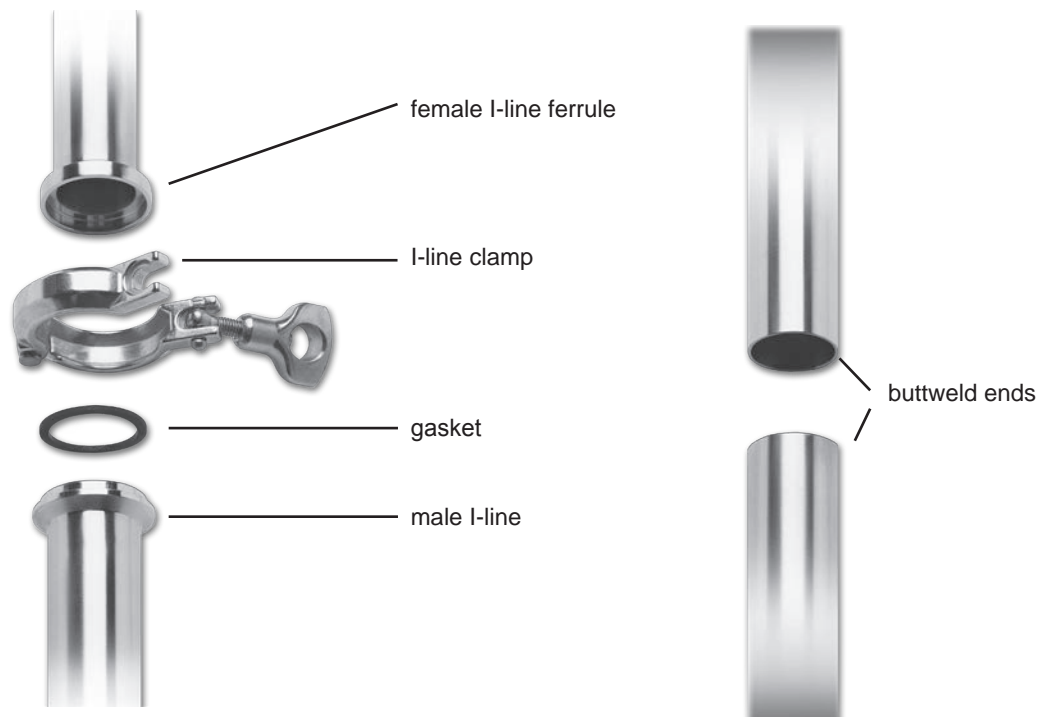
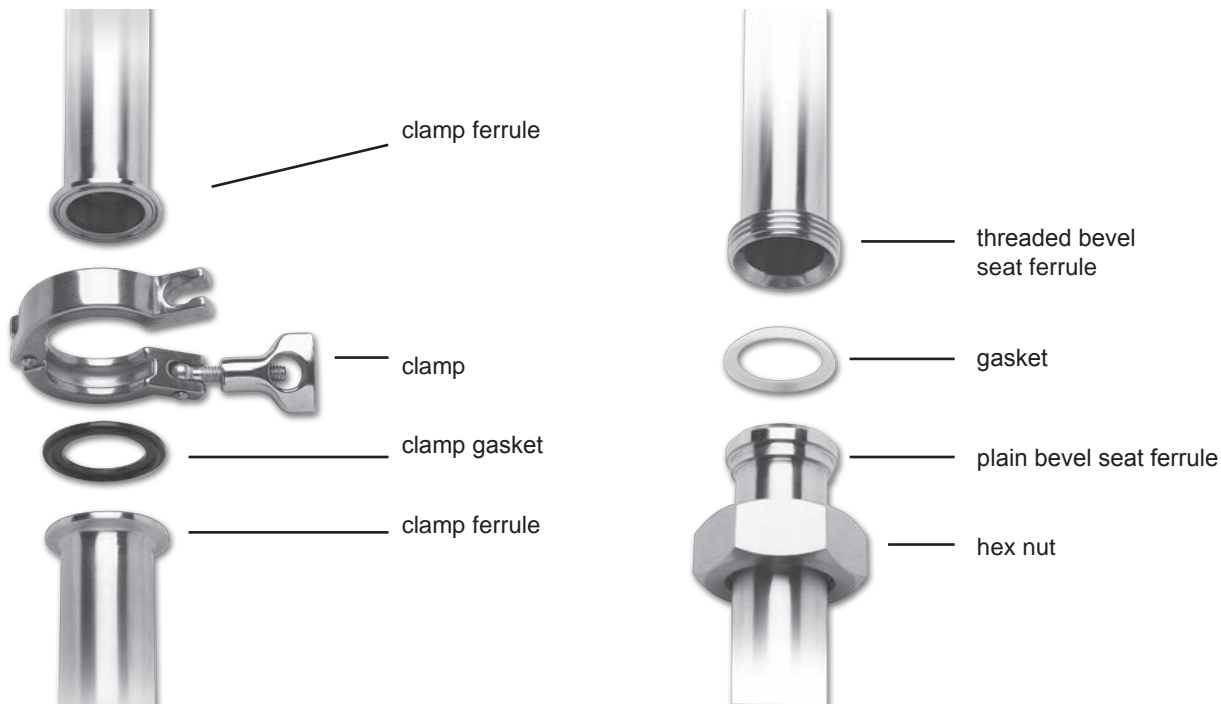
Tapered Thread



ACME Thread



Identifying Fittings



NOTE: Clamp type connections are the most popular and are sometimes referred to as Tri-Clamp connections.
All connections are Tube OD 1/2" to 12"
Materials are available in 304 and 316L stainless steel, (other alloys can be special order)

Part Number Descriptions

| | |
|--|--|
| 2 = Elbow (unpolished, polished, clamp, 90°, 45°, U-bend, sweep, etc.) | 31 = Concentric Reducer (unpolished, polished, clamp, etc.) |
| 7 = Tee (unpolished, polished, clamp, reducing, etc.) | 32 = Eccentric Reducer (unpolished, polished, clamp, etc.) |
| 9 = Cross (unpolished, polished, clamp, reducing, etc.) | 38 = Flange |
| 13 = Clamp (single pin, squeeze, double pin, 3 segment, bolted, I-line, lightweight, etc.) | 40 = Gaskets (1" and above) |
| 14 = Ferrule (short, long, auto weld, tank, roll on, hose adapter, male I-line, plain bevel seat/ John Perry) | 42 = Gaskets (½" and ¾") |
| 15 = Ferrule (bevel seat threaded or I-line female) | 45 = Check Valve (spring, ball, air blow) |
| 16 = End Cap (clamp, weld, I-line, bevel, etc.) | 51 = Butterfly Valve |
| 17 = Adapter ((bevel to clamp, I-line to clamp, etc.) | 54 = Sight Glass |
| 19 = Adapter (tube O.D. to national pipe thread) | RG = Hex tube hanger with rubber grommets |
| 21 = Male Adapter (bevel, clamp, I-line to male pipe thread) | RGC = Hex tube hanger with rubber grommets and coupler |
| 22 = Female Adapter (bevel, clamp, I-line to female pipe thread) | PS = Hex tube hanger with ABS sleeves |
| 23 = Thermometer (bevel, clamp, I-line, etc.) | PSC = Hex tube hanger with ABS sleeves and coupler |
| 24 = Hanger (hex, round, etc.) | RPH = Round tube hanger with Buna inserts |
| 28 = Y or lateral (unpolished, polished, clamp, reducing, etc.) | RPHC = Round tube hanger with Buna inserts and coupler |

Fittings Ordering Information

Material Designation:

G - 304
R - 316L

Size:

| | |
|-----------|------------|
| ½" = 050 | 3" = 300 |
| ¾" = 075 | 4" = 400 |
| 1" = 100 | 6" = 600 |
| 1½" = 150 | 8" = 800 |
| 2" = 200 | 10" = 1000 |
| 2½" = 250 | 12" = 1200 |

Ordering Example:

B 3 1 1 4 M P - G 1 5 0 1 0 0

Description:

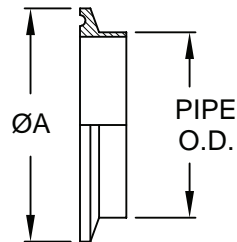
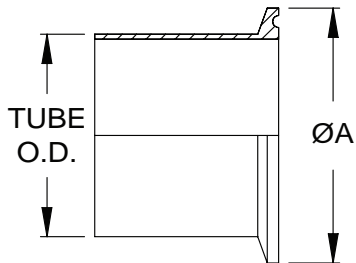
Concentric reducer with clamp ends in 304 material 1½" by 1"

Identifying Fittings

Clamp Ferrules

Specifications:

- ASME BPE
- BS 4825
- ISO 2852
- DIN 32676



Note: flanges are symmetrical

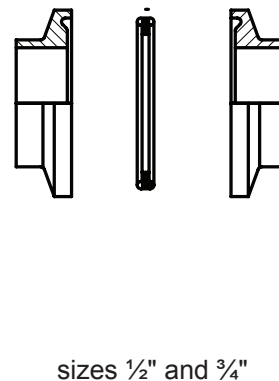
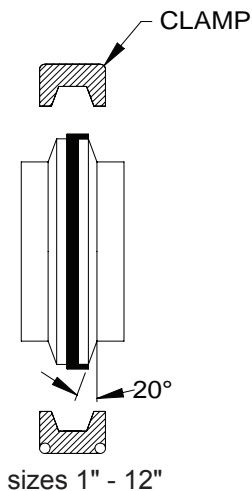
Tube

| Tube OD (inches) | ØA |
|------------------|--------|
| 1/2 | .992 |
| 3/4 | .992 |
| 1 | 1.988 |
| 1 1/2 | 1.988 |
| 2 | 2.520 |
| 2 1/2 | 3.051 |
| 3 | 3.583 |
| 4 | 4.685 |
| 5 | 5.687 |
| 6 | 6.570 |
| 8 | 8.602 |
| 10 | 10.570 |
| 12 | 12.570 |

Pipe

| Pipe Size (inches) | Pipe OD (inches) | ØA |
|--------------------|------------------|-------|
| 1 | 1.315 | 1.984 |
| 1 1/4 | 1.660 | 2.516 |
| 1 1/2 | 1.900 | 2.516 |
| 2 | 2.375 | 3.047 |
| 2 1/2 | 2.875 | 3.579 |
| 3 | 3.500 | 4.125 |
| 4 | 4.500 | 5.125 |
| 6 | 6.625 | 7.195 |
| 8 | 8.625 | 9.200 |

Clamp Connection



Gaskets



Type 1
Standard

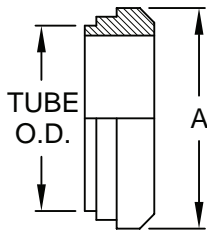


Type 1
Standard



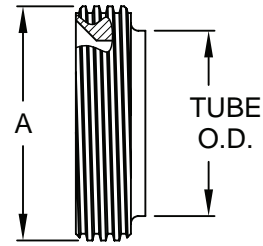
Type 2
Flanged

Identifying Fittings Bevel Seat Ferrules



Plain

| Tube OD (inches) | ØA |
|------------------|-------|
| 1 | 1.312 |
| 1½ | 1.848 |
| 2 | 2.380 |
| 2½ | 2.912 |
| 3 | 3.444 |
| 4 | 4.508 |



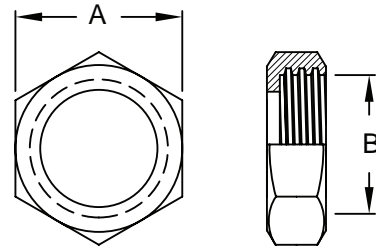
Threaded

| Tube OD (inches) | ØA |
|------------------|-------|
| 1 | 1.462 |
| 1½ | 1.994 |
| 2 | 2.526 |
| 2½ | 3.058 |
| 3 | 3.590 |
| 4 | 4.695 |

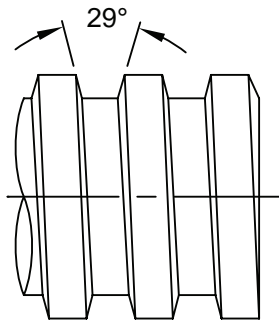
13H Hex Nuts

Nut

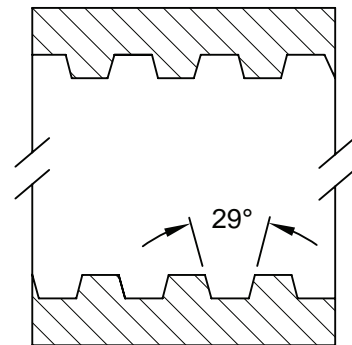
| Tube OD (inches) | A Across Flats | B Thread ID | Threads per inch |
|------------------|----------------|-------------|------------------|
| 1 | 1.812 | 1.362 | 8 |
| 1½ | 2.406 | 1.894 | 8 |
| 2 | 3.000 | 2.426 | 8 |
| 2½ | 3.594 | 2.958 | 8 |
| 3 | 4.188 | 3.490 | 8 |
| 4 | 5.438 | 4.554 | 6 |



Acme Thread Form



male thread

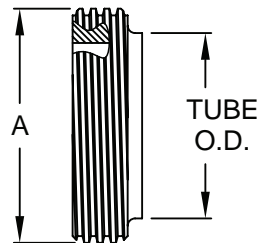
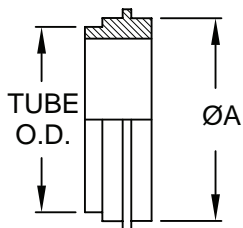


female thread

Gasket

Identifying Fittings

John Perry Ferrules



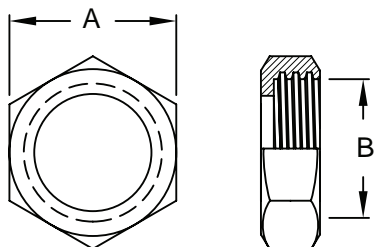
Plain

Threaded

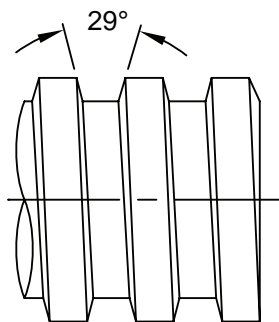
| Tube OD (inches) | ØA |
|------------------|-------|
| 1 | 1.125 |
| 1½ | 1.656 |
| 2 | 2.187 |
| 2½ | 2.656 |
| 3 | 3.187 |
| 4 | 4.187 |

| Tube OD (inches) | ØA |
|------------------|-------|
| 1 | 1.462 |
| 1½ | 1.994 |
| 2 | 2.526 |
| 2½ | 3.058 |
| 3 | 3.590 |
| 4 | 4.695 |

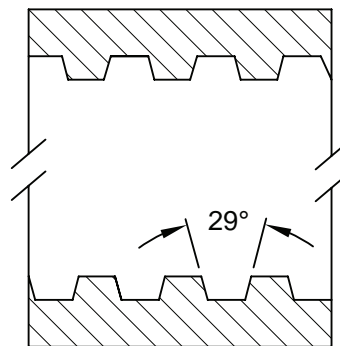
13H Hex Nuts



| Tube OD (inches) | A Across Flats | B Thread ID | B Thread ID |
|------------------|----------------|-------------|-------------|
| 1 | 1.812 | 1.362 | 8 |
| 1½ | 2.406 | 1.894 | 8 |
| 2 | 3.000 | 2.426 | 8 |
| 2½ | 3.594 | 2.958 | 8 |
| 3 | 4.188 | 3.490 | 8 |
| 4 | 5.438 | 4.554 | 6 |



male thread

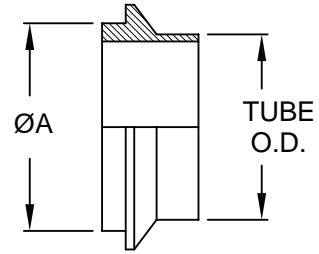
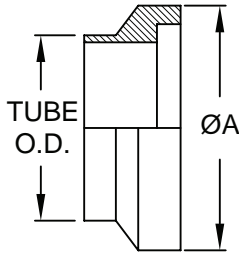


female thread

Gasket

Identifying Fittings

I-line Ferrules



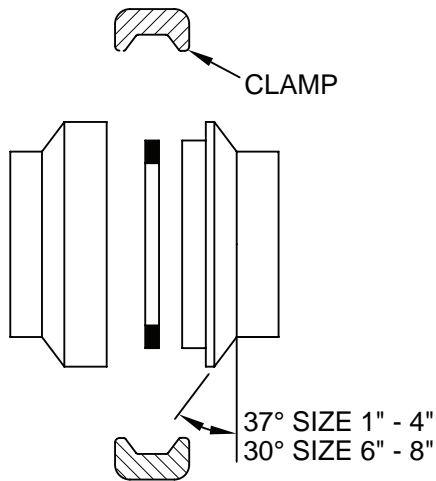
Female

| Tube OD (inches) | ØA |
|------------------|-------|
| 1 | 1.985 |
| 1½ | 1.985 |
| 2 | 2.640 |
| 2½ | 3.307 |
| 3 | 3.870 |
| 4 | 4.870 |
| 6 | 7.495 |
| 8 | 9.945 |

Male

| Tube OD (inches) | ØA |
|------------------|-------|
| 1 | 1.250 |
| 1½ | 1.740 |
| 2 | 2.240 |
| 2½ | 2.740 |
| 3 | 3.300 |
| 4 | 4.297 |
| 6 | 6.830 |
| 8 | 8.830 |

Clamp Connection



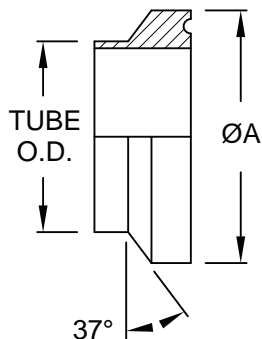
Gasket



Identifying Fittings

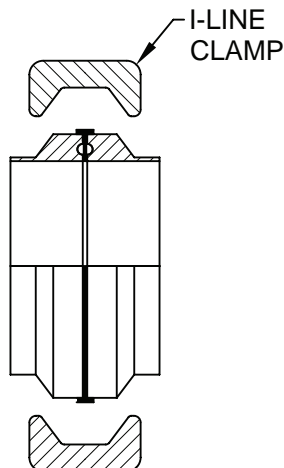
Q-line Ferrules

both halves of a jointed connection are symmetrical



| Tube OD (inches) | ØA |
|------------------|-------|
| 1 | 1.985 |
| 1½ | 1.985 |
| 2 | 2.640 |
| 2½ | 3.307 |
| 3 | 3.870 |
| 4 | 4.870 |

Clamp Connection



Gasket



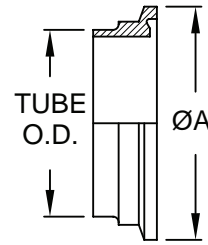
Identifying Fittings

APC Clamped Ferrules

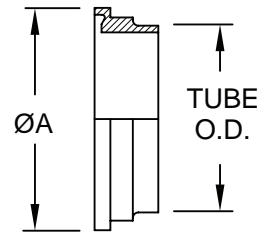
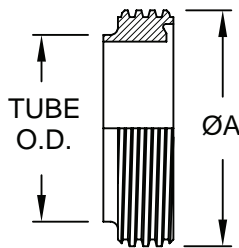
both halves of a jointed connection are symmetrical

clamp ferrule

| Tube OD (inches) | ØA |
|------------------|------|
| 1 | 1.98 |
| 1½ | 1.98 |
| 2 | 2.52 |
| 2½ | 3.05 |
| 3 | 3.58 |
| 4 | 4.68 |



APC Threaded Ferrules



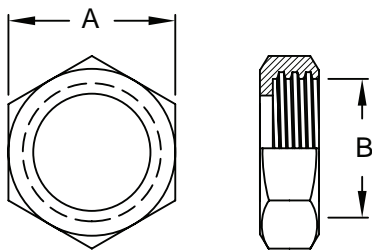
threaded ferrule

| Tube OD (inches) | ØA |
|------------------|-------|
| 1 | 1.462 |
| 1½ | 1.994 |
| 2 | 2.526 |
| 2½ | 3.058 |
| 3 | 3.590 |
| 4 | 4.695 |

plain ferrule

| Tube OD (inches) | ØA |
|------------------|-------|
| 1 | 1.312 |
| 1½ | 1.848 |
| 2 | 2.380 |
| 2½ | 2.912 |
| 3 | 3.444 |
| 4 | 4.508 |

13H Hex Nuts



Nut

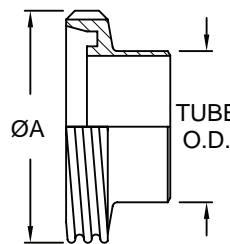
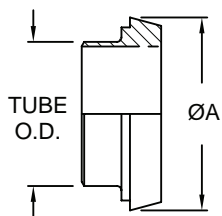
| Tube OD (inches) | A Across Flats | B Thread ID | Threads per inch |
|------------------|----------------|-------------|------------------|
| 1 | 1.812 | 1.362 | 8 |
| 1½ | 2.406 | 1.894 | 8 |
| 2 | 3.000 | 2.426 | 8 |
| 2½ | 3.594 | 2.958 | 8 |
| 3 | 4.188 | 3.490 | 8 |
| 4 | 5.438 | 4.554 | 6 |

Gasket



Identifying Fittings

DIN 11851 Ferrules



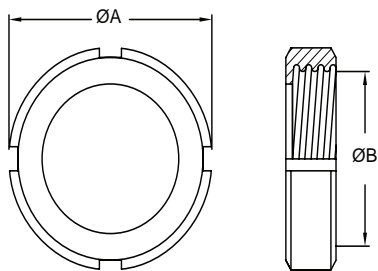
Liners

Males

| Tube OD (inches) | ØA |
|------------------|------|
| 1 | 1.73 |
| 1½ | 2.20 |
| 2 | 2.68 |
| 2½ | 3.39 |
| 3 | 3.94 |
| 4 | 4.76 |

| Tube OD (inches) | ØA |
|------------------|------|
| 1 | 2.04 |
| 1½ | 2.56 |
| 2 | 3.07 |
| 2½ | 3.74 |
| 3 | 4.31 |
| 4 | 5.10 |

DIN Round Nuts

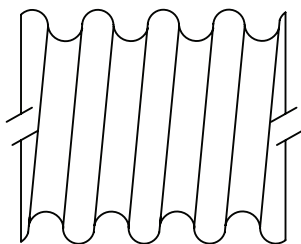


Nut

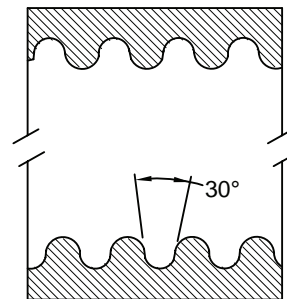
| Tube OD (inches) | DN | ØA | B Thread ID | Threads per inch |
|------------------|-----|------|-------------|------------------|
| 1 | 25 | 2.48 | 1.88 | 6 |
| 1½ | 40 | 3.07 | 2.39 | 6 |
| 2 | 50 | 3.62 | 2.90 | 6 |
| 2½ | 65 | 4.41 | 3.49 | 6 |
| 3 | 80 | 5.00 | 4.14 | 4 |
| 4 | 100 | 5.83 | 4.94 | 4 |

Note: nuts 3" and larger will have 6 slots

DIN Thread Form



male thread



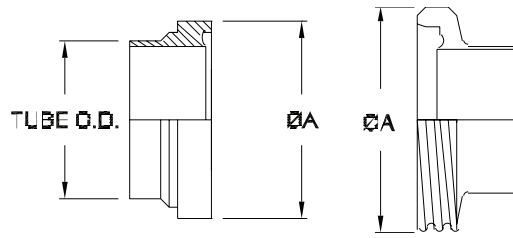
female thread

Gasket



Identifying Fittings

DIN 11864-1 Ferrules



Weld Liner

| Tube OD (inches) | ØA |
|------------------|------|
| 1 | 1.69 |
| 1½ | 2.18 |
| 2 | 2.63 |
| 2½ | 3.34 |
| 3 | 3.68 |
| 4 | 4.88 |

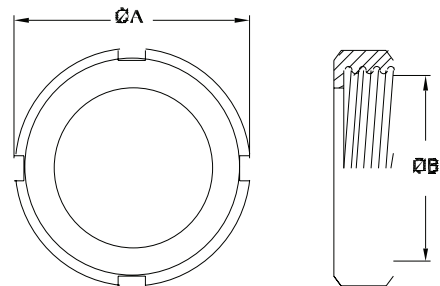
Weld Males

| Tube OD (inches) | ØA |
|------------------|------|
| 1 | 2.04 |
| 1½ | 2.56 |
| 2 | 3.07 |
| 2½ | 3.74 |
| 3 | 4.33 |
| 4 | 5.12 |

DIN Round Nuts

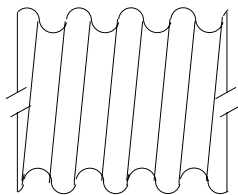
Nut

| Tube OD (inches) | DN | ØA | B Thread ID | Threads per inch |
|------------------|-----|------|-------------|------------------|
| 1 | 25 | 2.48 | 1.88 | 6 |
| 1½ | 40 | 3.07 | 2.39 | 6 |
| 2 | 50 | 3.62 | 2.90 | 6 |
| 2½ | 65 | 4.41 | 3.49 | 6 |
| 3 | 80 | 5.00 | 4.14 | 4 |
| 4 | 100 | 5.83 | 4.94 | 4 |

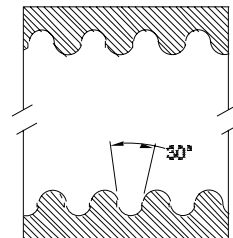


Note: nuts 3" and larger will have 6 slots

DIN 405/1 Thread Form



male thread



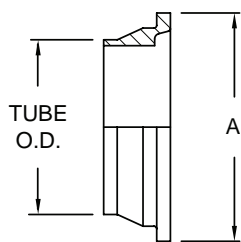
female thread

Gasket



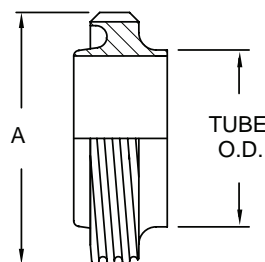
Identifying Fittings

RJT Ferrules



Liners

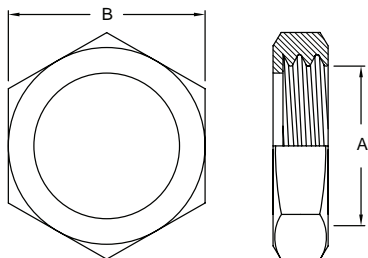
| Tube OD (inches) | ØA |
|------------------|------|
| 1 | 1.63 |
| 1½ | 2.13 |
| 2 | 2.63 |
| 2½ | 3.13 |
| 3 | 3.63 |
| 4 | 4.63 |



Males

| Tube OD (inches) | ØA |
|------------------|------|
| 1 | 1.80 |
| 1½ | 2.30 |
| 2 | 2.86 |
| 2½ | 3.36 |
| 3 | 3.86 |
| 4 | 4.86 |

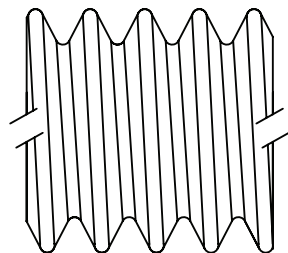
RJT Hex Nuts



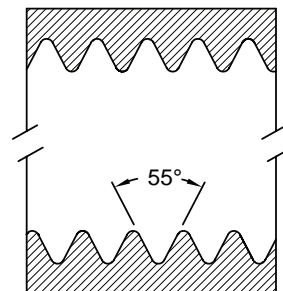
Nut

| Tube OD (inches) | ØA Thread ID | B Across flats | Threads per inch |
|------------------|--------------|----------------|------------------|
| 1 | 1.68 | 2.00 | 8 |
| 1½ | 2.18 | 2.56 | 8 |
| 2 | 2.69 | 3.12 | 6 |
| 2½ | 3.19 | 3.62 | 6 |
| 3 | 3.69 | 4.12 | 6 |
| 4 | 4.69 | 5.12 | 6 |

RJT Thread Form (British Standard Witworth)



male thread



female thread

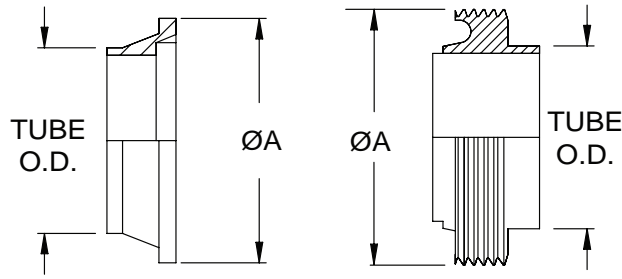
Gasket



Also known as BSM (British Standard Milk) in Australia modified into Australian CIP Union

Identifying Fittings

Australian CIP Ferrules



Weld Liners

| Tube OD (inches) | ØA |
|------------------|------|
| 1 | 1.63 |
| 1½ | 2.13 |
| 2 | 2.63 |
| 2½ | 3.13 |
| 3 | 3.63 |
| 4 | 4.63 |

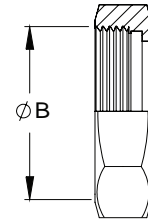
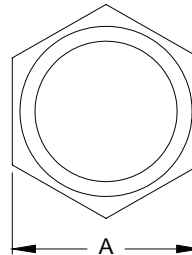
Weld Male

| Tube OD (inches) | ØA |
|------------------|------|
| 1 | 1.80 |
| 1½ | 2.30 |
| 2 | 2.86 |
| 2½ | 3.36 |
| 3 | 3.86 |
| 4 | 4.86 |

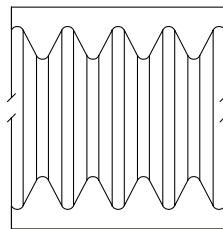
Hex Nut

Nut

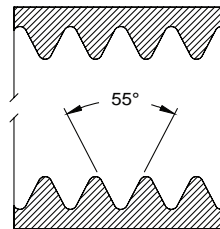
| Tube OD (inches) | DN | A | B Thread ID | Threads per inch |
|------------------|-----|------|----------------|------------------|
| 1 | 25 | 2.00 | 1.68 | 8 |
| 1½ | 40 | 2.56 | 2.18 | 8 |
| 2 | 50 | 3.12 | 2.69 | 6 |
| 2½ | 65 | 3.62 | 3.19 | 6 |
| 3 | 80 | 4.12 | 3.69 | 6 |
| 4 | 100 | 5.12 | 4.69 | 6 |



RJT Thread Form (British Standard Witworth)



male thread



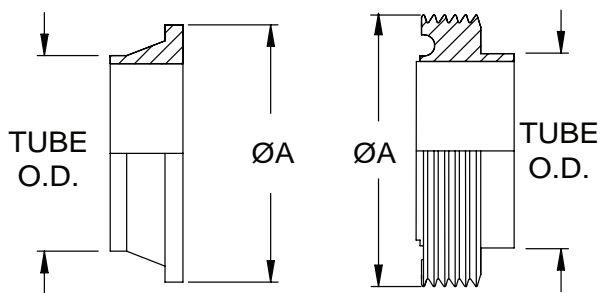
female thread

Gasket



Identifying Fittings

Australian CIP Flat Face Ferrules



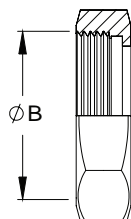
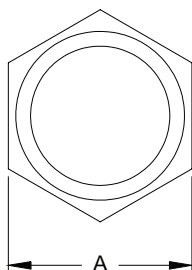
Weld Liners

| Tube OD (inches) | ØA |
|------------------|------|
| 1 | 1.63 |
| 1½ | 2.13 |
| 2 | 2.63 |
| 2½ | 3.13 |
| 3 | 3.63 |
| 4 | 4.63 |

Weld Male

| Tube OD (inches) | ØA |
|------------------|------|
| 1 | 1.80 |
| 1½ | 2.30 |
| 2 | 2.86 |
| 2½ | 3.36 |
| 3 | 3.86 |
| 4 | 4.86 |

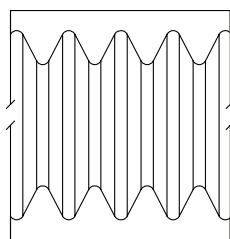
Hex Nut



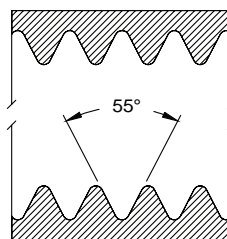
Nut

| Tube OD (inches) | DN | A | B Thread ID | Threads per inch |
|------------------|-----|------|----------------|------------------|
| 1 | 25 | 2.00 | 1.68 | 8 |
| 1½ | 40 | 2.56 | 2.18 | 8 |
| 2 | 50 | 3.12 | 2.69 | 6 |
| 2½ | 65 | 3.62 | 3.19 | 6 |
| 3 | 80 | 4.12 | 3.69 | 6 |
| 4 | 100 | 5.12 | 4.69 | 6 |

RJT Thread Form (British Standard Witworth)



male thread

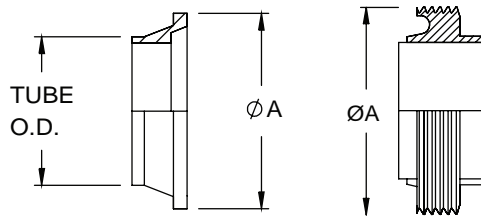


female thread

Gasket



Identifying Fittings New Zealand CIP Ferrules



Weld Liners

| Tube OD (inches) | ØA |
|------------------|------|
| 1 | 1.63 |
| 1½ | 2.13 |
| 2 | 2.63 |
| 2½ | 3.13 |
| 3 | 3.63 |
| 4 | 4.63 |

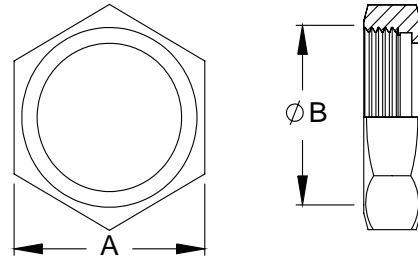
Weld Male

| Tube OD (inches) | ØA |
|------------------|------|
| 1 | 1.80 |
| 1½ | 2.30 |
| 2 | 2.86 |
| 2½ | 3.36 |
| 3 | 3.86 |
| 4 | 4.86 |

Hex Nut

Nut

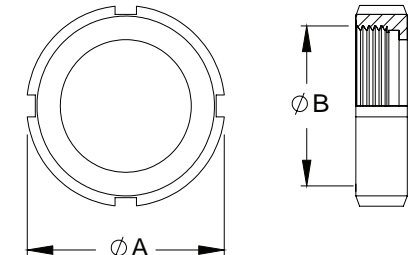
| Tube OD (inches) | DN | A | ØB Thread ID | Threads per inch |
|------------------|-----|------|--------------|------------------|
| 1 | 25 | 2.00 | 1.68 | 8 |
| 1½ | 40 | 2.56 | 2.18 | 8 |
| 2 | 50 | 3.12 | 2.69 | 6 |
| 2½ | 65 | 3.62 | 3.19 | 6 |
| 3 | 80 | 4.12 | 3.69 | 6 |
| 4 | 100 | 5.12 | 4.69 | 6 |



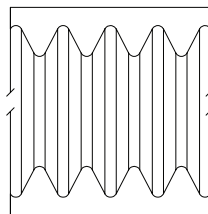
Round Nut

Nut

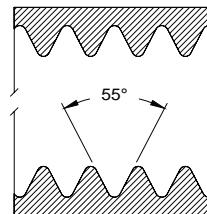
| Tube OD (inches) | DN | ØA | ØB Thread ID | Threads per inch |
|------------------|-----|------|--------------|------------------|
| 1 | 25 | 2.00 | 1.68 | 8 |
| 1½ | 40 | 2.56 | 2.18 | 8 |
| 2 | 50 | 3.12 | 2.69 | 6 |
| 2½ | 65 | 3.62 | 3.19 | 6 |
| 3 | 80 | 4.12 | 3.69 | 6 |
| 4 | 100 | 5.12 | 4.69 | 6 |



RJT Thread Form (British Standard Witworth)



male thread

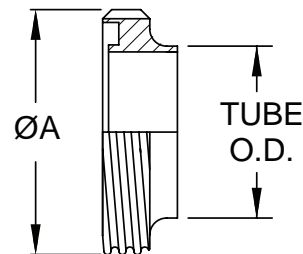
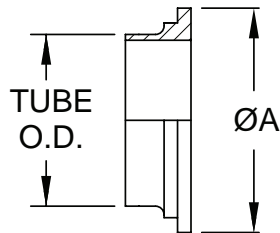


female thread

Gasket

Identifying Fittings

SMS Ferrules



Weld Liner

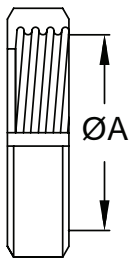
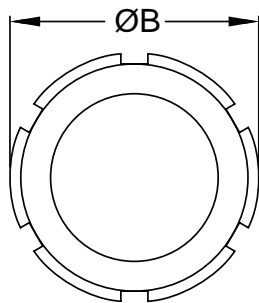
Males

| Tube OD (inches) | ØA |
|------------------|------|
| 1 | 1.40 |
| 1½ | 2.17 |
| 2 | 2.56 |
| 2½ | 3.15 |
| 3 | 3.66 |
| 4 | 4.65 |

| Tube OD (inches) | ØA |
|------------------|------|
| 1 | 1.55 |
| 1½ | 2.34 |
| 2 | 2.74 |
| 2½ | 3.33 |
| 3 | 3.84 |
| 4 | 4.90 |

Round Nut

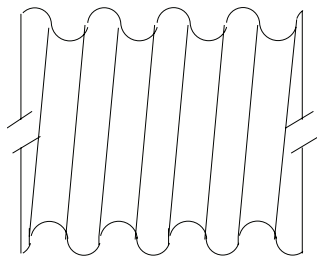
All nuts have 6 slots



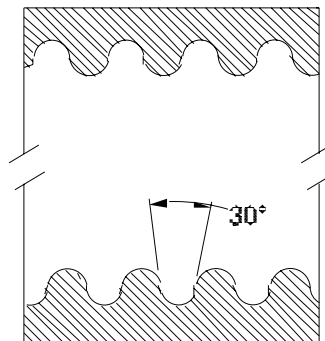
Nut

| Tube OD (inches) | ØA Thread ID | ØB | Threads per inch |
|------------------|--------------|------|------------------|
| 1 | 1.44 | 2.01 | 6 |
| 1½ | 2.22 | 2.91 | 6 |
| 2 | 2.62 | 3.31 | 6 |
| 2½ | 3.21 | 3.94 | 6 |
| 3 | 3.72 | 4.49 | 6 |
| 4 | 4.72 | 5.43 | 4 |

SMS Thread Form (DIN 405/1)



male thread



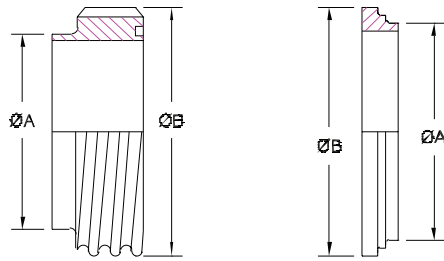
female thread

Gasket



Identifying Fittings

Danish Standard Ferrules



Weld Male

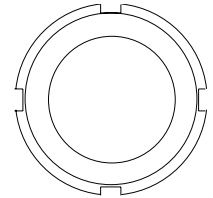
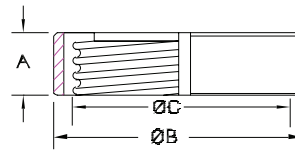
| Size (inches) | ØA | ØB |
|---------------|-------|-------|
| 1 | 1.000 | 1.732 |
| 1½ | 1.511 | 2.283 |
| 2 | 2.024 | 2.835 |
| 2½ | 2.516 | 3.386 |
| 3 | 3.008 | 3.937 |
| 4 | 4.018 | 5.118 |

Weld Liners

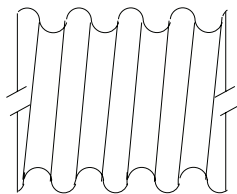
| Tube OD (inches) | ØA | ØB |
|------------------|-------|-------|
| 1 | 1.457 | 1.496 |
| 1½ | 1.850 | 1.969 |
| 2 | 2.244 | 1.969 |
| 2½ | 2.638 | 2.461 |
| 3 | 3.031 | 2.461 |
| 4 | 3.543 | 2.461 |

Round Nut

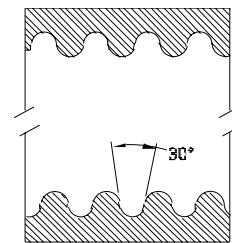
| Size (inches) | A | ØB | ØC | Threads per inch |
|---------------|-------|-------|-------|------------------|
| 1 | 0.787 | 2.244 | 1.732 | 6 |
| 1½ | 0.787 | 2.795 | 2.283 | 6 |
| 2 | 0.787 | 3.386 | 2.835 | 6 |
| 2½ | 0.945 | 4.055 | 3.386 | 6 |
| 3 | 0.984 | 4.528 | 3.937 | 6 |
| 4 | 1.102 | 5.906 | 5.118 | 6 |



DS Thread Form (DIN 405/1)



male thread



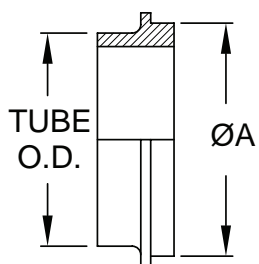
female thread

Gasket

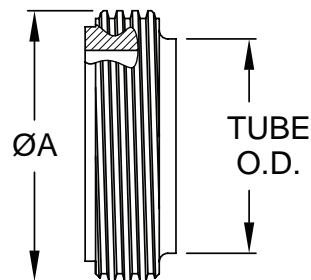


Identifying Fittings

IDF/ISO Couplings



Liners

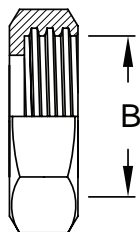
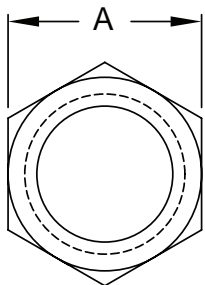


Males

| Tube OD (inches) | ØA |
|------------------|------|
| 1 | 1.33 |
| 1½ | 1.85 |
| 2 | 2.38 |
| 2½ | 2.91 |
| 3 | 3.44 |
| 4 | 4.75 |

| Tube OD (inches) | ØA |
|------------------|------|
| 1 | 1.46 |
| 1½ | 1.99 |
| 2 | 2.53 |
| 2½ | 3.06 |
| 3 | 3.59 |
| 4 | 4.96 |

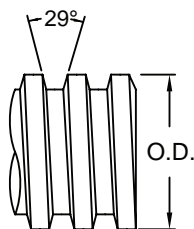
IDF Hex Nuts



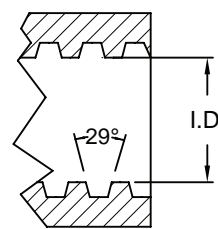
Nut

| Tube OD (inches) | ØA Thread ID | B Across flats | Threads per inch |
|------------------|--------------|----------------|------------------|
| 1 | 1.81 | 1.35 | 8 |
| 1½ | 2.36 | 1.88 | 8 |
| 2 | 2.95 | 2.42 | 8 |
| 2½ | 3.54 | 2.95 | 8 |
| 3 | 4.13 | 3.48 | 8 |
| 4 | 5.24 | 4.81 | 6 |

IDF Thread Form (same as Acme thread form)



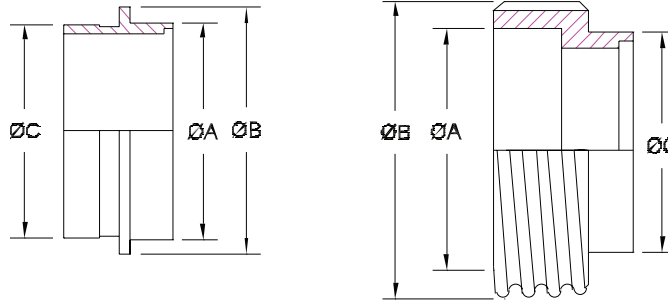
male thread



female thread

Gaskets

Identifying Fittings Wine Macon Ferrules



Weld Liner

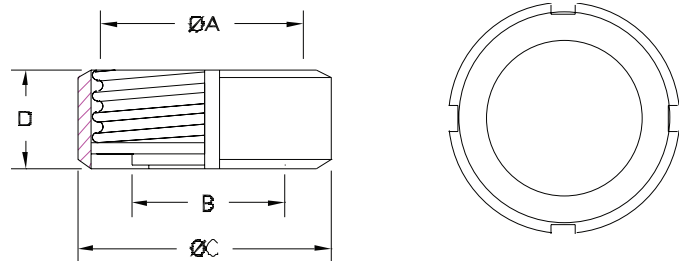
| Size | ØA | ØB | ØC |
|--------|-------|-------|-------|
| DN 43 | 1.823 | 1.969 | 1.752 |
| DN 53 | 2.217 | 2.461 | 2.146 |
| DN 63 | 2.610 | 2.894 | 2.539 |
| DN 73 | 3.004 | 3.346 | 2.933 |
| DN 83 | 3.398 | 3.780 | 3.327 |
| DN 103 | 4.252 | 4.685 | 4.114 |

Weld Male

| Size | ØA | ØB | ØC |
|--------|-------|------|-------|
| DN 43 | 1.772 | M55 | 1.823 |
| DN 53 | 2.165 | M67 | 2.228 |
| DN 63 | 2.598 | M79 | 2.610 |
| DN 73 | 2.992 | M90 | 3.004 |
| DN 83 | 3.386 | M102 | 3.280 |
| DN 103 | 4.173 | M125 | 4.102 |

Nuts 4-Slots

| Size | ØA | ØB | ØC | ØD | Thread per Inch |
|--------|------|-------|-------|-------|-----------------|
| DN 43 | M55 | 1.850 | 2.756 | 0.984 | 3" |
| DN 53 | M67 | 2.244 | 3.150 | 0.984 | 3" |
| DN 63 | M79 | 2.630 | 3.740 | 0.984 | 3½" |
| DN 73 | M90 | 3.031 | 4.173 | 0.984 | 3½" |
| DN 83 | M102 | 3.543 | 4.646 | 0.984 | 4" |
| DN 103 | M125 | 4.409 | 5.472 | 1.024 | 4" |



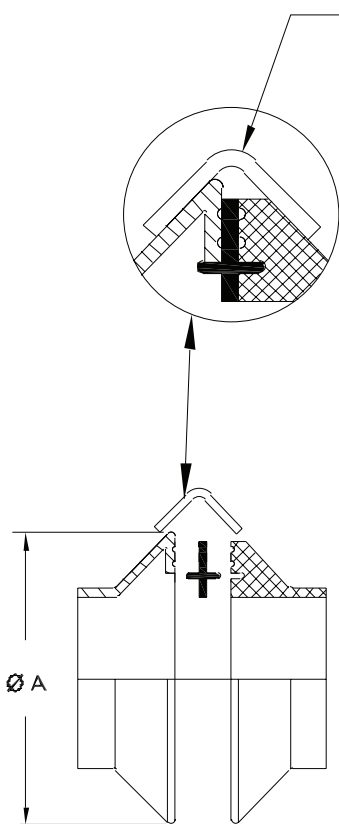
Gasket



Identifying Fittings

Garolla Fitting

USES STAMPED CLAMP

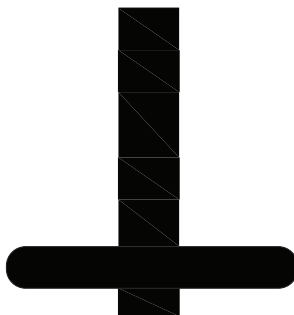


STAMPED

MACHINED

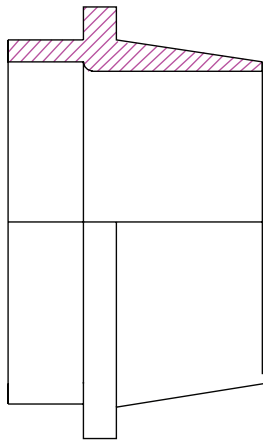
| DIN | ØA |
|-----|------|
| 40 | 2.64 |
| 50 | 3.07 |
| 60 | 3.46 |
| 70 | 3.86 |
| 80 | 4.25 |
| 100 | 5.00 |
| 120 | 6.22 |
| 150 | 7.40 |

Gasket

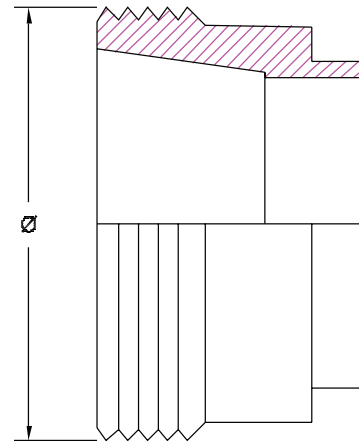


Identifying Fittings

Oenological Threaded Fittings



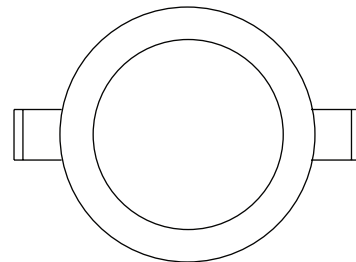
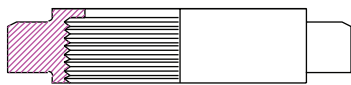
Male End



Female End

| DIN | Ø |
|-----|-------|
| 25 | 1.311 |
| 30 | 1.504 |
| 35 | 1.705 |
| 40 | 2.098 |
| 50 | 2.016 |

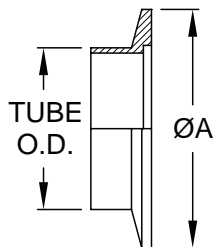
Nut



Identifying Fittings

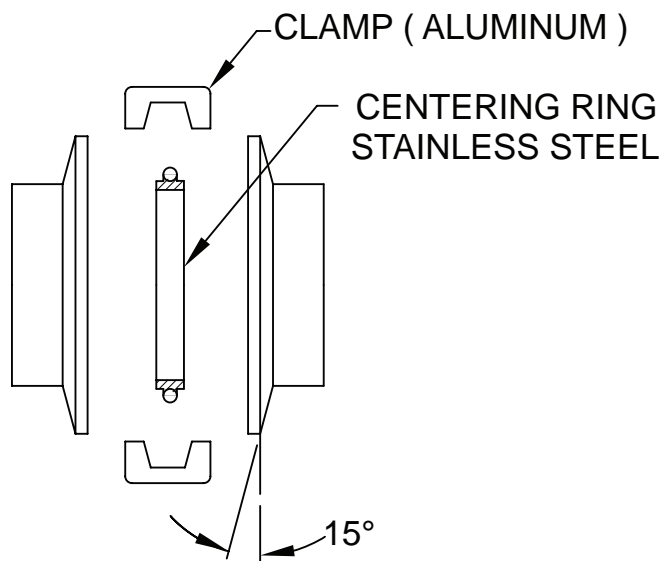
Vacuum Flanges

both halves of a jointed connection are symmetrical



| clamp ferrule | |
|------------------|------|
| Tube OD (inches) | ØA |
| ½ | 1.18 |
| ¾ | 1.18 |
| 1 | 1.57 |
| 1½ | 2.16 |
| 2 | 2.95 |

Clamp Connection



Gasket



Austenitic Stainless Steel Chemistry

| Element | C | Mn | P | S | Si | Cr | Ni | Mo |
|--------------------------|------|------|-------|-------------|------|-----------|-----------|---------|
| 304 ¹ | 0.08 | 2.00 | 0.045 | 0.030 | 1.00 | 18.0-20.0 | 8.0-10.0 | |
| 316L ¹ | 0.03 | 2.00 | 0.045 | 0.030 | 1.00 | 16.0-18.0 | 10.0-14.0 | 2.0-3.0 |
| 316L BPE ² | 0.03 | 2.00 | 0.045 | 0.05 - 0.17 | 1.00 | 16.0-18.0 | 10.0-14.0 | 2.0-3.0 |
| CF-8 ³ | 0.08 | 1.50 | 0.04 | 0.04 | 2.00 | 18.0-21.0 | 8.0-11.0 | |
| CF-8M ³ | 0.08 | 1.50 | 0.04 | 0.04 | 2.00 | 18.0-21.0 | 9.0-12.0 | 2.0-3.0 |

¹ AISI specifications for wrought material

² ASME BPE 2012

³ ASTM A743

- Percentages are maximums unless a range is specified

Finish Information

BPE Surface Finish Requirements (Table SF-2.4-1)

| Surface designation | Mechanically Polished ID and OD | | Dixon Sanitary High Purity code |
|---------------------|---|-----------------------|------------------------------------|
| | R _a Maximum | | |
| | ID μ-in. | OD μ-in | |
| SF0 | no finish requirement | no finish requirement | |
| SF1 | 20 | 32 | PL |
| SF2 | 25 | 32 | |
| SF3 | 30 | 32 | |
| Surface designation | Mechanically Polished OD and Electropolished ID | | |
| | R _a Maximum | | |
| | ID μ-in. | OD μ-in | |
| SF4 | 15 | 32 | PM |
| SF5 | 20 | 32 | |
| SF6 | 25 | 32 | |

Finish Designations for Tubing and Fittings

| Finish Number | Finish Conditions |
|---------------|---|
| 1 | Mill Finish (bright annealed, pickled, sand blast or tumbled) |
| 3 | Polished 32R _a inside diameter (ID) only |
| 5 | Polished 150 grit outside diameter (OD) only |
| 7 | Polished 32R _a outside/inside diameter (OD/ID) |
| 3A | Polished 150 grit outside (OD), 32R _a inside diameter (ID) |

Glossary of Terms

#3 finish Used on stainless steel tubing, only the ID is polished to sanitary standards. The OD is unpolished.

#4 dairy finish Used on any surface, stainless steel is polished to sanitary standards, with 180 grit abrasives.

#5 finish Used on stainless steel tubing, only the OD is polished. The ID is unpolished.

#7 finish Used on stainless steel tubing polished to sanitary standards inside and outside.

3A Symbol Introduced in 1956, the 3A Symbol is a registered trademark used to identify equipment that meets 3A Sanitary Standards for design and fabrication. The 3A Symbol on dairy and food equipment serves three important purposes:

1. assures processors that equipment conforms to sanitary standards
2. provides accepted criteria to equipment manufacturers for sanitary design
3. establishes guidelines for uniform evaluation and compliance by sanitarians

3A Finish Product surface finish equivalent to 150 grit or better OD, and 180 grit or better ID. A maximum of R_a 32 microinch (0.8 micron) is indicated.

ABS (Acrylonitrile-butadiene-styrene) a thermoplastic resin with an excellent resistance to acids, bases, salts and some solvents. It is heat resistant to 230°F.

ANSI American National Standards Institute, Inc.

ASME American Society of Mechanical Engineers

ASTM American Society for Testing and Materials

Acme Thread A flat grooved helical ridge on a nut or bolt. This typically has a 29° included angle. Used on bevel seat and John Perry fittings

Anneal Stress relief of stainless steel, a heat treatment to remove the stresses generated in forming and welding operations. This heat treatment is best done under controlled atmosphere or vacuum to maintain the mill finish. The fittings are not quenched, as in solution annealing; this would reintroduce residual stresses. Done correctly, parts are processed to provide minimum residual stresses and full corrosion resistance.

Bevel Seat Ferrules A set of plain (male) and externally threaded (female) bushings with matching bevel angles that produce a leak-proof seal when connected with a hex union nut. The threads used are Acme form.

Bright Anneal Annealing in a protective medium to prevent discoloration of the surface.

Bright Annealed Finish A silvery satin surface, approximately the mill finish of stainless steel.

Buna Synthetic rubber, a copolymer of acrylonitrile and butadiene

Burst Pressure The pressure at which rupture occurs.

Clamp A device used to join mechanical parts, fittings, ensuring a quick leak-proof connection and enabling easy take down.

Glossary of Terms

Compression Set The deformation that remains in rubber or PTFE after it has been subjected to and released from stress such as a clamp. The longer the stress is maintained the more definitive the deformation.

Durometer An instrument for measuring the hardness of rubber by resistance to penetration

Durometer Hardness A numerical value which indicates the resistance to indentation of the blunt indenter of the durometer.

EPDM Ethylene propylene diene monome, a synthetic rubber

Elastomer Any of various elastic substances resembling rubber.

Electropolishing A controlled electrochemical process utilizing acid electrolyte, DC current, anode and cathode to smooth the surface by removal of metal.

Encapsulation The enclosing of material by an encapsulant for protective purposes. In a ball valve the ball is encased in PTFE, preventing the material flowing through the valve from getting behind the ball causing contamination problems.

Flow Coefficient (C_v) C_v the flow rate in U.S. gallons of water (at 60°F) that will pass through the valve in one minute with a differential pressure across the valve of 1 PSI.

Ferrule A bushing used to secure a tube joint. A special bushing designed for welding to the end of tubing. Two ferrules and a gasket make a leak-proof connection when used with the complimentary clamps.

Fitting A small part of an apparatus (may be detachable).

Fluorocarbon Synthetic rubber and fluoropolymer elastomer known as FKM.

Friction Loss The part of the total loss that occurs as the fluid flows through straight pipe.

Hex Union Nut An internally acme-threaded six-sided connector used to assemble bevel seat fittings.

ISO5211 International standard for actuator and valve interface

Internal Expansion (IX) A plug (or bullet) is pulled through a stem or a set of blades (fingers) increase the stem ID to the plug OD or a predetermined setting when using expansion blades (fingers). This forces the stem serrations into the hose tube and the hose cover into the serrations of the ferrule.

Laminar Flow The smooth flow of a viscous liquid through a tube or pipe. In that case, the velocity of flow varies from zero at the walls to a maximum along the centerline of the vessel.

Maximum-Shut-Off Pressure The pressure of the media flowing into the valve against which the valve will have to close.

Media The material flowing through the valve.

Modulating Service Positional positioning of a valve between the closed and open position. Used for flow control.

Glossary of Terms

MTR Material Test Report

Neoprene Synthetic rubber, chemically and structurally similar to natural rubber

Nominal Size A dimensional value assigned for the purpose of convenient designation. Used for pipe sizes.

On-Off Service When the valve is being used to start or stop flow by being cycled to the full open or full closed position.

Operating Pressure The pressure at which system functions. Also known as working pressure.

Polish To make smooth and shiny by rubbing. Fittings may be machine polished to 180 grit finish. Polish is ID, OD, or both per customer request.

Polypropylene A lightweight synthetic plastic

Pressure The force per unit area applied on a surface in a direction perpendicular to that surface.

PSI Pounds per square inch

PSIG Pounds per square inch gauge

PTFE Tetrafluoroethylene is a high performance thermo plastic polymer that has excellent dielectric strength, chemical and temperature resistance.

Santoprene A thermoplastic elastomer, a rubber-like material that complies to FDA requirements

Service Temperature The maximum and minimum temperature of the media in a system.

Silicone Dimethyl silicone, a synthetic rubber

Sintering Heat process in which powdered metal particles are heated to near melting point, fusing the metal granules together.

Stem Torque The force required at the valve stem to open or close the valve against system pressure and service conditions.

Supply Pressure The plant air supply pressure available to operate a pneumatic actuator. (plant air)

Surge Also known as water hammer. A rapid rise or decrease of internal pressure. Surge conditions occur for various reasons, typically, but not limited to: start and stop sequences.

Torque A twisting or turning force. Usually measured in inch pounds (in-lbs) or foot pounds (ft-lbs)/(force through a distance).

Tube A hollow cylinder especially one that conveys a fluid. For sanitary applications a thin wall is implied.

Tube Fitting A length of tubing formed into a usable shape either welded to an apparatus or welded to ferrules for use in an apparatus.

Glossary of Terms

Tumble Polish Surface A uniform finish applied by vibratory equipment to stainless steel, varying from matte grey to bright, depending on media used. This process may cause work hardening on the surfaces of stainless steel.

Turbulent Flow Irregular flow that is characterized by tiny whirlpool regions. The velocity of this fluid is definitely not constant at every point.

Velocity Head (h_v) The energy of a liquid as a result of its motion at some velocity V. It is the equivalent head in feet through which the water would have to fall to acquire the same velocity, or in other words, the head necessary to accelerate the water. Velocity head can be calculated from the following formula:

$$h_v = \frac{V^2}{2g}$$

Where $g = 32.3$ ft/second

$V =$ liquid velocity in feet per second

The velocity head is usually insignificant and can be ignored in most high head systems. However, it can be a large factor and must be considered in low head systems

WOG Water, Oil, Gas. Pressure rating for valves handling these products. This does not include steam.

Welding Join two (or more) pieces of material by applying heat to produce a localized union through fusion across the interface. For sanitary fittings, a ferrule is attached to the ends of a tube fitting by TIG welding without the addition of filler metal.

Work (Strain) Hardening An increase in hardness and strength caused by plastic deformation at temperatures below the annealing ranges.

Trademarks

Tygon® is a registered trademark of Saint-Gobain Corporation.

Santoprene™ is a trademark of Exxon Mobil Chemical

Tuf-Steel® is a registered trademark of RubberFab Technologies Group

GOODYEAR
GOODYEARBELTING.COM

Call Toll Free: 1-866-711-4673
International: +1-727-342-5086

We Ship
World Wide

Index

A

Air Fittings

| | |
|-------------------------------------|---------|
| Filters/Regulators/Lubricators..... | 166-170 |
| Tubing..... | 165 |

B

Ball Valves

| | |
|---|------------------|
| 2-Piece Ball Valves | |
| brass..... | 185 |
| industrial, stainless | 181 |
| 3-Piece Ball Valves | |
| encapsulated, stainless | 173 |
| handle kits | 173 |
| repair kits..... | 174 |
| industrial, stainless | 183 |
| non-encapsulated, stainless..... | 178 |
| repair kits..... | 178 |
| Actuated Ball Valves | 187-199 |
| Automation..... | 200 |
| Industrial Ball Valves | 179-186, 190-199 |
| Industrial Stainless Wafer Ball Valve | 179-180 |
| Multi-port Ball Valves | |
| 3-way | |
| brass..... | 186 |
| industrial, stainless | 184 |
| sanitary, stainless | 175-177 |
| repair kits..... | 176 |
| Private Label Handle Covers..... | 187 |
| Sanitary Ball Valves..... | 171-178, 188-189 |
| Technical Information..... | 172 |

Bevel Seat Fittings

| | |
|---------------------------|-------------------------|
| Adapters | |
| rubber hose | 48 |
| Tygon® hose | 48 |
| Cap, plain solid end..... | 48 |
| Elbows | |
| 45° | 49 |
| 90° | 49 |
| Ferrules | |
| plain | |
| heavy wall tank..... | 46 |
| light wall tank..... | 46 |
| long..... | 45 |
| recessed..... | 45 |
| recessless..... | 45 |
| short..... | 45 |
| threaded | |
| heavy wall tank..... | 47 |
| light wall tank..... | 47 |
| long..... | 46 |
| recessed..... | 47 |
| recessless..... | 47 |
| short..... | 46 |
| Gaskets | See Gaskets, Bevel Seat |
| Hex Nuts..... | 44 |
| Hex Wrenches | |
| single sided..... | 44 |
| two sided | 44 |
| Other Fittings..... | 52 |
| Reducers | |
| concentric | 50 |
| eccentric | 50 |
| Sanitary Breakaway..... | 51 |

BioPharm Fittings (BPE)

| | |
|----------------|-----|
| Adapters | 103 |
| Caps | |

BioPharm Fittings (BPE), Cont...

| | |
|-----------------------------|-----------|
| weld | 102 |
| Elbows | |
| clamp | |
| 45° | 94 |
| 90° | 93 |
| weld | |
| 45° | 93-94 |
| 88° | 94 |
| 90° | 93 |
| 92° | 94 |
| Ferrules | 102 |
| Reducers | |
| clamp | |
| concentric | 99-100 |
| eccentric | 101 |
| weld | |
| concentric | 99 |
| eccentric | 100-101 |
| Technical Data | 104-106 |
| Tees | |
| clamp | 95-98 |
| reducing | 96-98 |
| short outlet | 97-98 |
| short outlet reducing | 97-98 |
| instrument | 98 |
| weld | 95, 97-98 |
| reducing | 95, 97 |
| short outlet | 97 |
| short outlet reducing | 97 |
| instrument | 98 |

Butterfly Valves

| | |
|---------------------------------|---------|
| Actuated Butterfly Valves | 209 |
| Automation | 211 |
| B5101 Series | |
| clamp end | 203-205 |
| infinite handle | 204 |
| pull handle | 203 |

| | |
|---|---------|
| repair kits | 206 |
| technical information | 202 |
| trigger handle | 205 |
| weld end | 203-205 |
| B5102 Series | 207 |
| repair kits | 207 |
| technical information | 207 |
| Industrial | |
| lug | 213 |
| technical information | 212 |
| wafer | 213 |
| Sanitary Valve Seat Dimensions | 210 |

C**Cam and Groove**

| | |
|------------------------------------|----------|
| Adapters | 147-148 |
| Couplers | 149, 153 |
| Drawings | 146 |
| Dust Caps | 150 |
| Dust Plugs | 149 |
| Flanged Couplers & Adapters | 153 |
| Gaskets | 153 |
| Handles | 150 |
| Reducing Couplers & Adapters | 151 |
| Specifications | 145 |
| Spool Adapters | 152 |
| Spool Couplers | 152 |

Check Valves

| | |
|--|---------|
| Air & Vac. Relief Tank Vent Valve | |
| PVC | 223-224 |
| Stainless | 225-226 |
| Air Blow Check Valves | 219-220 |
| repair kits | 219 |
| Air Relief Valves | |
| 3A | 221 |
| NPT | 221 |

| | |
|---------------------------------------|---|
| <i>Check Valves Fittings, Cont...</i> | <i>Clamp Fittings, Cont...</i> |
| replacement parts.....222 | Elbows |
| Spring Check Valves215-216 | 45° 18 |
| repair kits.....215 | 90°17-18 |
| Y-Ball Check Valves.....217-218 | 180° returns.....22 |
| repair kits.....217 | bevel seat 18 |
| seal kits.....217 | plain..... 18 |
| | threaded bevel seat x clamp..... 18 |
| Clamp Fittings | Ferrules |
| Accessories for Clamps | automatic weld..... 11 |
| bolt, hex head.....9 | heavy wall tank 11 |
| bronze and brass hex nuts.....9 | light wall tank 11 |
| cross hole wing nut.....9 | long weld 10 |
| eye bolt.....9 | quick weld..... 12 |
| hex wing nut9 | reducing..... 10 |
| mini cross hole wing nut.....9 | roll-on for expanding..... 11 |
| spring loaded nut.....9 | short weld 10 |
| stainless steel hex nut9 | Gaskets See Gaskets, Clamp |
| stainless, lock washer.....9 | Laterals.....22 |
| Adapters, clamp by | Reducers |
| bevel seat 13 | clamp x plain bevel seat20 |
| female NPT..... 16 | concentric20 |
| hose..... 14 | eccentric21 |
| male NPT..... 15 | Spool Assembly21 |
| Tygon® hose 13 | Tees |
| Caps | equal..... 19 |
| solid end 12 | reducing..... 19 |
| thermometer 12 | short outlet..... 19 |
| Clamps | True Y22 |
| bolted.....8 | |
| dairy.....9 | Cleaning and Washdown |
| double pin.....7 | Hot and Cold Water Mixing Station 139 |
| single pin7 | rack..... 139 |
| single pin w/serrated nut.....7 | Spray Nozzles137-138 |
| squeeze.....7 | Swivel Connectors..... 137 |
| T-bolt.....8 | Washdown Hose 137 |
| three segment.....8 | Washdown Wand..... 138 |
| toggle.....8 | Water-Steam Washdown Station..... 139 |
| Crosses22 | |

D**DIN Fittings. See European Fittings****E****European Fittings**

DIN

| | |
|----------------------|----------------------------|
| blank cap | 88 |
| gaskets | See Gaskets, European, DIN |
| round nut | 88 |
| spanner wrench | 89 |
| welding liner | 88 |
| welding male | 88 |

RJT

| | |
|----------------------|----------------------------|
| blank cap | 90 |
| gaskets | See Gaskets, European, RJT |
| hex nut | 90 |
| spanner wrench | 90 |
| welding liner | 90 |
| welding male | 90 |

SMS

| | |
|----------------------|----------------------------|
| blank cap | 89 |
| gaskets | See Gaskets, European, SMS |
| round nut | 89 |
| spanner wrench | 89 |
| welding liner | 89 |
| welding male | 89 |

G**Gaskets**

Bevel Seat

| | |
|------------------------|----|
| Buna | 53 |
| EPDM | 53 |
| Flat style, Buna | 53 |

Gaskets, Cont...

| | |
|------------------------|----|
| Silicone - white | 54 |
|------------------------|----|

Clamp

| | |
|-----------------------------|-------|
| Buna - black | 24 |
| Buna - white | 24 |
| Envelope | 31 |
| EPDM | 24 |
| FKM | 25 |
| Flanged | 27-28 |
| Mesh Screen | 29 |
| Metal Detectable | 26 |
| Orifice | 30 |
| Perforated Metal Disc | 30 |
| PTFE | 25 |
| Silicone - clear | 25 |
| Silicone - white | 25 |
| Sizing Guide | 32-33 |

European

| | |
|----------------|----|
| DIN Buna | 91 |
| RJT Buna | 91 |
| SMS Buna | 91 |
| Flange | 86 |

I-Line

| | |
|------------|----|
| Buna | 68 |
| EPDM | 68 |
| FKM | 68 |
| PTFE | 69 |

John Perry

| | |
|--------------------|----|
| Buna 80 Duro | 59 |
| EPDM | 59 |
| FKM | 59 |
| Virgin PTFE | 59 |

Pipe, Schedule 5 & 10 (clamp style)

| | |
|--------------------|-------|
| Buna | 40 |
| PTFE | 40 |
| Sizing Guide | 41-42 |

Q-Line

| | |
|------------|----|
| Buna | 69 |
|------------|----|

Gaskets, Cont...

Technical Information

| | |
|----------------------------------|-----|
| identification..... | 234 |
| packing and storing | 234 |
| particulate reference chart..... | 235 |

Gauges, See Instrumentation, Gauges**H****Hangers**

Pipe Hangers

| | |
|-------------------------------------|---------|
| block hangers | 39-40 |
| hex with grommets | 38 |
| hex with sleeves | 38 |
| polypropylene sleeves | 38 |
| Tube Block Hangers | 113-114 |
| Tube Hex Hangers..... | 110-112 |
| ABS replacement sleeves..... | 112 |
| High temp replacement sleeves | 112 |
| replacement grommets | |
| Nitrile | 111 |
| FKM..... | 111 |
| replacement nuts and bolts | 111 |

Hose Fittings

| | |
|---------------------------------|---------|
| Recommendation Guide..... | 161-163 |
| Sanitary (IX) fittings | |
| Bevel seat..... | 158 |
| Clamp end | 157-158 |
| Ferrule, flow chief | 157 |
| Male NPT..... | 158 |
| Tube weld end | 157 |
| Sanitary Crimp fittings | |
| ferrules..... | 160 |
| stems | 159 |
| Sanitary True ID fittings | 156 |

I-Line Fittings

| | |
|----------------------|---------------------|
| Adapters | 65 |
| Caps, solid end | |
| female..... | 64 |
| male..... | 64 |
| Clamps | |
| bolted..... | 61 |
| single pin | 61 |
| squeeze | 61 |
| Elbows | 66 |
| Ferrules | |
| female | |
| heavy wall tank..... | 63 |
| long | 63 |
| short | 63 |
| male | |
| heavy wall tank..... | 62 |
| long | 62 |
| short..... | 62 |
| Gaskets | See Gaskets, I-Line |
| Other Fittings..... | 66-67 |

Instrumentation

| | |
|----------------------------|---------|
| Digital Thermometers | 132 |
| Sanitary Pressure Gauges | |
| sanitary | 126-128 |
| pharmaceutical | 129 |
| homogenizer..... | 130-131 |
| RTDs (temperature)..... | 133-134 |

J**John Perry Fittings**

| | |
|----------------------|----|
| Caps, solid end..... | 58 |
|----------------------|----|

John Perry Fittings, Cont...

45°58

90°58

Ferrules

plain long57

plain short57

threaded long57

threaded short57

Gaskets See Gaskets, John Perry

Hex Nuts56

Hex Wrenches

single sided56

two sided56

Other Fittings58

M**Maintenance****Jax Products****food grade**

anti-seize140

penetrating oil140

PurGel Klear140

stainless steel cleaner and polish140

P**Pipe Fittings****Adapters****clamp**

schedule 537

schedule 1037

weld37

Caps, solid end36

Clamps

bolted35

Pipe Fittings, Cont...

single pin35

Ferrules

schedule 5 long36

schedule 5 short35

schedule 10 long36

schedule 10 short35

Gaskets See Gaskets, Pipe

Hangers See Hangers, Pipe

Polished Fittings**Adapters**

hose76

Crosses79

Elbows

45°71-72

90°71-73

clamp72

plain bevel seat72

return bends, 180°79

sweep73

threaded bevel seat72

Laterals78

Other Fittings72,75,77

Quick Weld Ferrules78

Reducers

concentric76-77

eccentric77

Tees

clamp x weld75

long74

reducing74

short74

True Y78

Protection Covers

Clamp22

Weld End79

Q**Q-Line Fittings**

| | |
|------------------|---------------------|
| Adapters | 65 |
| Caps, solid end | |
| female..... | 64 |
| male..... | 64 |
| Clamps | |
| bolted..... | 61 |
| single pin | 61 |
| squeeze | 61 |
| Elbows | 66 |
| Ferrules | 64 |
| Gaskets | See Gaskets, Q-Line |

R**RJT Fittings. See European Fittings****S****Sample Valves**

| | |
|-----------------|---------|
| 316L | |
| Angle..... | 227-228 |
| repair kit..... | 228 |
| In-line..... | 229-230 |
| repair kit..... | 230 |
| W Series | 231-232 |
| repair kit..... | 232 |

Sight Glass

| | |
|------------------------------------|-----|
| Acrylic Sight Glass End Caps | 115 |
| Compact Sight Glass..... | 116 |
| replacement glass | 116 |

Sight Glass, Cont...

| | |
|---------------------------|-----|
| seal kit | 116 |
| In-Line Sight Glass | 115 |
| replacement glass | 115 |
| seal kit | 115 |

SMS Fittings. See European Fittings**Spray Balls**

| | |
|------------------|-----|
| Rotating | 135 |
| Stationary | 136 |

Strainers

| | |
|------------------------------------|-----|
| Dual Units | 125 |
| Filters..... | 124 |
| In-Line | |
| long..... | 118 |
| short..... | 118 |
| replacement parts..... | 119 |
| Side-Entry..... | 120 |
| replacement parts..... | 121 |
| Side-Outlet..... | 122 |
| replacement parts..... | 123 |
| Wire Cloth Mesh Over Screens | 124 |

Swivels

| | |
|----------------------|-----|
| Configurations | 142 |
| Straight | |
| clamp | 143 |
| weld | 143 |

T**Technical Data**

| | |
|---|---------|
| Chemical Resistance Chart | 236-238 |
| Finish Information | 265 |
| Fraction - Decimal Conversion Chart | 239 |

Technical Data, Cont...

| | |
|--------------------------------|---------|
| Glossary of Terms..... | 266-269 |
| Identifying Fittings..... | 246-264 |
| Identifying Threads..... | 242-243 |
| Measurement Information..... | 241 |
| Part Number Descriptions | 245 |
| Temperature Conversions | 240 |
| Thread Dimensions | 242 |
| Water Data and Formulas | 241 |

Unpolished Fittings, Cont...

| | |
|---------------|----|
| reducing..... | 83 |
| short..... | 83 |
| True Y..... | 85 |

W

| | |
|---------------------------|------------|
| Wall Flanges | 114 |
|---------------------------|------------|

| | |
|--------------------------|------------|
| Topping Gun | 233 |
|--------------------------|------------|

Tubing

| | |
|------------------------------------|---------|
| 304 Stainless Tube..... | 107-108 |
| 316L Stainless Tube..... | 107-108 |
| ASTM-A269 Unpolished ID / OD | 107-108 |
| ASTM-A270 Polished ID / OD | 107-108 |

U**Unpolished Fittings**

| | |
|-----------------------|---------------------|
| Adapters | 82 |
| Caps, weld..... | 82 |
| Elbows | |
| 45° | 81 |
| 90° | 81 |
| 180° return bend..... | 85 |
| Flanges | |
| gaskets | See Gaskets, Flange |
| neck..... | 86 |
| stub end..... | 86 |
| slip-on..... | 86 |
| Laterals..... | 85 |
| Reducers | |
| concentric | 84 |
| eccentric | 84 |
| Tees | |

PART NUMBER INDEX

In the following index, a (*) is used to represent a variable. Therefore, to find 13H-G150 or 13H-G400, look for: **13H-G*****

| | | Page # | | Page # |
|-----------------|-----------------|--------|---------------|--------|
| | 13MHHM100-150SN | 7 | 14A-R***DIN | 88 |
| | 13MHHM-DP*** | 7 | 14A-R***RJT | 90 |
| | 13MHHM-DP1000 | 7 | 14A-R***SMS | 89 |
| | 13MHHM-DP100150 | 7 | 14-G*** | 45 |
| | 13MHHM-Q*** | 7 | 14MPHR-G*** | 14 |
| | 13MHHM-Q75 | 7 | 14MPHR-G***** | 14 |
| 04093 | 13MHHM-Q400 | 165 | 14MPHR-G***** | 14 |
| 05106 | 13MHHM-Q100150 | 165 | 14MPHRL*** | 14 |
| 06138 | 13MHHM***SN | 165 | 14MPHR-R** | 14 |
| 08** | 13MHHV*** | 165 | 14MPHR-R*** | 14 |
| 081** | 13MHHV-Q400 | 165 | 14MPHR-R**** | 14 |
| 0817** | 13MHLA*** | 165 | 14MPHR-R***** | 14 |
| 0817BL100 | 13MHLA100-150 | 165 | 14MPHR-R***** | 14 |
| 100-G-** | 13MHP*** | 153 | 14MPHT-R** | 13 |
| 1208 | 13MHP**** | 165 | 14MPHT-R*** | 13 |
| 1208** | 13MHP75 | 165 | 14MPW-R** | 11 |
| 12275 | 13MHP100-150 | 165 | 14MPW-R*** | 11 |
| 125-G-** | 13MHPV*** | 153 | 14PRF-G*** | 45 |
| 13** | 13MO*** | 9 | 14PRFJP-G*** | 57 |
| 13*** | 13MO**** | 9 | 14PRFJP-R*** | 57 |
| 13**** | 13MO100-150 | 9 | 14PRF-R*** | 45 |
| 13CB-.** | 13NHN-G75 | 9 | 14QMP-G*** | 12, 78 |
| 13H-G*** | 13NHN-G100-600 | 44, 56 | 14R-G*** | 45 |
| 13H-G***RJT | 13PS-** | 90 | 14RMP-G*** | 11 |
| 13HS-** | 13PS-*** | 112 | 14RMP-R*** | 11 |
| 13HS-*** | 13PS-**** | 112 | 14VB-R*** | 86 |
| 13ILB*** | 13PV-*** | 61 | 14VB-R**** | 86 |
| 13ILB100-150 | 13RBN-G***RJT | 61 | 14W-G*** | 46 |
| 13ILH*** | 13RG** | 61 | 14WHI-G*** | 62 |
| 13ILH100-150 | 13RG3/8 | 61 | 14WHI-R*** | 62 |
| 13IL-Q200 | 13R-G***DIN | 61 | 14WHRL-R*** | 76 |
| 13IL-Q100150 | 13R-G***SMS | 61 | 14WHR-R** | 76 |
| 13MHHM*** | 13RGV** | 7 | 14WHR-R*** | 76 |
| 13MHHM-3P*** | 13WGC*** | 8 | 14WI-G*** | 62 |
| 13MHHM-3P1200 | 13WGC100-150 | 8 | 14WI-R*** | 62 |
| 13MHHM-3P100150 | 14A-G*** | 8 | 14WL-G*** | 46 |
| 13MHHM50-75 | 14AHR-G*** | 7 | 14WLI-G*** | 62 |
| 13MHHM50-75SN | 14AHT-G*** | 7 | 14WLI-R*** | 62 |

Part Number Index

| | Page # | | Page # | | Page # |
|--------------|--------|-----------------|--------|-----------------|--------|
| 14WLMP-R... | 11 | 16AI-14 ... | 64 | 22MP-R.. | 16 |
| 14WLMP-R.... | 11 | 16AI-14 ...R | 64 | 22MP-R... | 16 |
| 14WMP-G.. | 10 | 16AI-15 ... | 64 | 22MP-R...-... | 16 |
| 14WMP-G... | 10 | 16AI-15 ...R | 64 | 22MP-R.... | 16 |
| 14WMP-G.... | 10 | 16AJP-G... | 58 | 22MP-R..... | 16 |
| 14WMP-R.. | 10 | 16AJP-R... | 58 | 22MP-R..... | 16 |
| 14WMP-R... | 10 | 16AMP-G... | 12 | 22MP-R50-125 | 16 |
| 14WMP-R.... | 10 | 16AMP-G.... | 12 | 24PFX..... | 157 |
| 14WMV-R... | 35 | 16AMP-G50-75 | 12 | 25H-... | 44, 56 |
| 14WMX-R... | 35 | 16AMP-G100-150 | 12 | 25H-..... | 44, 56 |
| 14WQ-G... | 64 | 16AMP-R... | 12 | 200-AA-.. | 152 |
| 15A-G... | 46 | 16AMP-R.... | 12 | 200-AL-.. | 153 |
| 15AHT-G... | 48 | 16AMP-R50-75 | 12 | 200-DD-.. | 152 |
| 15A-R... | 46 | 16AMP-R100-150 | 12 | 200-DL-.. | 153 |
| 15A-R...DIN | 88 | 16AMP-R...DIN | 88 | 200-G-.. | 153 |
| 15A-R...RJT | 90 | 16AMP-R...SMS | 89 | 200-G-... | 153 |
| 15A-R...SMS | 89 | 16AMV-R... | 36 | 250-G-.. | 153 |
| 15-G... | 47 | 16AQ-G... | 64 | 2015-DA-.. | 151 |
| 15R-G... | 47 | 16A-R... | 48 | 2030-A-.. | 151 |
| 15TRF-G... | 46 | 1612 | 165 | 2030-AA-.. | 152 |
| 15TRFJP-G... | 57 | 16375 | 165 | 2030-DA-.. | 151 |
| 15TRFJP-R... | 57 | 17-14I-14MPG... | 65 | 2030-DD-.. | 152 |
| 15TRF-R... | 46 | 17-15I-14MPG... | 65 | 3S-.-2U-GFB•SS | 128 |
| 15W-G... | 47 | 17MP-14-G... | 13 | 3S-.-15U-GFB•SS | 128 |
| 15WHI-G... | 63 | 17MP-15-G... | 13 | 32PFX..... | 157 |
| 15WHI-R... | 63 | 21MP-G... | 15 | 300-AA-.. | 152 |
| 15WI-G... | 63 | 21MP-G..... | 15 | 300-AL-.. | 153 |
| 15WI-R... | 63 | 21MP-G..... | 15 | 300-AL-SSANSI | 153 |
| 15WL-G... | 47 | 21MP-G100-125 | 15 | 300-DD-.. | 152 |
| 15WLI-G... | 63 | 21MP-R.. | 15 | 300-DL-.. | 153 |
| 15WLI-R... | 63 | 21MP-R... | 15 | 300-G-.. | 153 |
| 15W-R... | 47 | 21MP-R...-... | 15 | 300-G-... | 153 |
| 1520-DA-.. | 151 | 21MP-R.... | 15 | 3020-A-.. | 151 |
| 1520-F-AL | 151 | 21MP-R..... | 15 | 3020-B-.. | 151 |
| 150-AL-SS | 153 | 21MP-R..... | 15 | 3020-DA-.. | 151 |
| 150-DL-SS | 153 | 22MP-G... | 16 | 3020-F-.. | 151 |
| 150-G-.. | 153 | 22MP-G...-... | 16 | 3040-AA-.. | 152 |
| 150-G-... | 153 | 22MP-G..... | 16 | 3040-A-AL | 151 |

Part Number Index

| | Page # | | Page # | | Page # |
|---------------|--------|--------------|--------|------------------|--------|
| 3040-DA-•• | 151 | 40MPS-U••• | 29 | 64PFX••••• | 157 |
| 3040-DD-•• | 152 | 40MP-U••• | 24 | 75-G•• | 153 |
| 3040-F-AL | 151 | 40MP-U400 | 119 | | |
| 40BS-E••• | 53 | 40MP-U•••DIN | 91 | A80MP-SFY••• | 30 |
| 40BS-F••• | 53 | 40MP-UP••• | 30 | A80MP-U••• | 30 |
| 40BS-H••• | 54 | 40MP-U•••RJT | 91 | A269-G•••U | 108 |
| 40BS-O••• | 53 | 40MP-U•••SMS | 91 | A269-R•••U | 108 |
| 40BS-S••• | 54 | 40MP-UW••• | 24 | A270-G•••P | 108 |
| 40BS-X••• | 54 | 40MP-UZ••• | 26 | A270-R•••P | 108 |
| 40BS-Y••• | 53 | 40MPV-G••• | 40 | A270-R•••P | 108 |
| 40IE••• | 68 | 40MPV-U••• | 40 | AWSG | 137 |
| 40IE•••16 | 68 | 40MPV-U400 | 119 | AWSG-W | 137 |
| 40IH••• | 68 | 40MP-XC••• | 25 | B2C-G••• | 49 |
| 40IT••• | 69 | 40MP-XW••• | 25 | B2CI-G••• | 66 |
| 40IV••• | 68 | 40PFX••••• | 157 | B2CM31MPG••••••• | 18 |
| 40JP-E••• | 59 | 40QH••• | 69 | B2CM31MPR••••••• | 18 |
| 40JP-G••• | 59 | 40QT••• | 69 | B2CM-G••• | 72 |
| 40JP-SFY••• | 59 | 42MP-E•• | 24 | B2CMP-G••• | 17 |
| 40JP-U••• | 59 | 42MP-G•• | 25 | B2CMP-G••••• | 17 |
| 40MP-E••• | 24 | 42MP-GR•• | 31 | B2CMPL-R•• | 17 |
| 40MP-EZ••• | 26 | 42MP-GRE•• | 31 | B2CMP-R•• | 17 |
| 40MPF-E••• | 27 | 42MP-SFY•• | 25 | B2CMP-R••• | 17 |
| 40MPF-E•••• | 27 | 42MP-U•• | 24 | B2CM-R••• | 72 |
| 40MPF-SFY••• | 28 | 42MP-UW•• | 24 | B2E-G••• | 49 |
| 40MPF-SFY•••• | 28 | 42MP-XC•• | 25 | B2EI-G••• | 66 |
| 40MPF-U••• | 27 | 42MP-XW•• | 25 | B2F-G••• | 49 |
| 40MPF-U•••• | 27 | 48PFX••••• | 157 | B2FI-G••• | 66 |
| 40MPF-UW••• | 27 | 400-AA-•• | 152 | B2FMP-14-G••• | 18 |
| 40MPF-XC••• | 28 | 400-AL-•• | 153 | B2FP-G••• | 72 |
| 40MPF-XW••• | 28 | 400-DD-•• | 152 | B2KM-G••• | 72 |
| 40MPF-XW•••• | 28 | 400-DL-•• | 153 | B2KMP-G••• | 18 |
| 40MP-G••• | 25 | 400-G-•• | 153 | B2KMP-G•••• | 18 |
| 40MP-G•••• | 25 | 400-G-••• | 153 | B2KMP-R•• | 18 |
| 40MP-GR••• | 31 | 4020-DA-•• | 151 | B2KMP-R••• | 18 |
| 40MP-GRE••• | 31 | 4030-A-•• | 151 | B2KM-R••• | 72 |
| 40MPS-E••• | 29 | 4030-B-•• | 151 | B2KS-G•••P | 71 |
| 40MP-SFY••• | 25 | 4030-DA-•• | 151 | B2KS-G•••U | 81 |
| 40MP-SFYZ••• | 26 | 4030-F-•• | 151 | B2KS-R•••P | 71 |

| | Page # | | Page # | | Page # |
|--------------|--------|----------------|--------|----------------|--------|
| B2KS-R••U | 81 | B7MPS-G••• | 19 | B19WB-R•• | 82 |
| B2KS-R••U | 81 | B7MPS-R••• | 19 | B19WB-R••• | 82 |
| B2P-G100 | 49 | B7RMP-G••••• | 19 | B19WX-R••• | 37 |
| B2S-G•••P | 71 | B7RMP-R••••• | 19 | B22WB-G••• | 82 |
| B2S-G•••U | 81 | B7RMP-R••••• | 19 | B22WB-R•• | 82 |
| B2S-R•••P | 71 | B7RMP-R7550 | 19 | B22WB-R••• | 82 |
| B2S-R••P | 71 | B7RWWW-G•••••P | 74 | B23BMP-G••• | 12 |
| B2S-R•••U | 81 | B7RWWW-G•••••U | 83 | B23BMP-R••• | 12 |
| B2S-R••U | 81 | B7RWWW-R•••••P | 74 | B23BMP-R•••• | 12 |
| B2SXL••-R••• | 73 | B7RWWW-R•••••P | 74 | B24-BM-G••• | 114 |
| B2T-G••• | 72 | B7RWWW-R•••••P | 74 | B24-HP-G••• | 113 |
| B2WCL-G••••P | 71 | B7RWWW-R•••••U | 83 | B24HS-G•• | 112 |
| B2WCL-G•••P | 71 | B7RWWW-R•••••U | 83 | B24HS-G••• | 112 |
| B2WCL-G••••U | 81 | B7W-G•••P | 74 | B24PS-G•• | 112 |
| B2WCL-G•••U | 81 | B7W-G•••U | 83 | B24PS-G••• | 112 |
| B2WCL-R••••P | 71 | B7WMM-G••• | 75 | B24PS-G•••• | 112 |
| B2WCL-R•••P | 71 | B7W-R•••P | 74 | B24PV-G••• | 38 |
| B2WCL-R••P | 71 | B7W-R••P | 74 | B24RGC16-G•• | 111 |
| B2WCL-R••••U | 81 | B7W-R•••U | 83 | B24RGC16-G••• | 111 |
| B2WCL-R•••U | 81 | B7W-R••U | 83 | B24RGC-G•• | 110 |
| B2WCL-R••U | 81 | B7WWM-G••• | 75 | B24RGC-G••• | 110 |
| B2WK-G••••P | 71 | B7WWM-R••• | 75 | B24RG-G•• | 110 |
| B2WK-G•••P | 71 | B7WWW-G•••P | 74 | B24RG-G••• | 110 |
| B2WK-G••••U | 81 | B7WWW-G•••U | 83 | B24RG-G•••• | 110 |
| B2WK-G•••U | 81 | B7WWW-R•••P | 74 | B24RGSFY-G•• | 110 |
| B2WK-R••••P | 71 | B7WWW-R•••U | 83 | B24RGSFY-G••• | 110 |
| B2WK-R•••P | 71 | B08-02•G | 168 | B24RGSFY-G•••• | 110 |
| B2WK-R••P | 71 | B08-02•GMB | 168 | B24RPH-G•• | 112 |
| B2WK-R••••U | 81 | B9MP-G••• | 22 | B24RPH-G••• | 112 |
| B2WK-R•••U | 81 | B9MP-R••• | 22 | B24RV-G••• | 38 |
| B2WK-R•••U | 81 | B9WWW-G•••P | 79 | B24V-BM-G••• | 40 |
| B2WUL-R••••P | 79 | B9WWW-R•••P | 79 | B24V-TM-G••• | 39 |
| B2WUL-R•••U | 85 | B14C31-G••••• | 20 | B24V-WP-G••• | 39 |
| B2WUMP-R••• | 22 | B16W-G••• | 82 | B24-WP-G••• | 113 |
| B7MMW-G••• | 75 | B16W-R•• | 82 | B25-G••••• | 114 |
| B7MP-G••• | 19 | B16W-R••• | 82 | B25-G•••••• | 114 |
| B7MP-G•••• | 19 | B19MPV-R••• | 37 | B25-G••••••• | 114 |
| B7MP-R•• | 19 | B19MPX-R••• | 37 | B28AMP-R••• | 22 |

| | Page # | | Page # | | Page # |
|---------------|--------|----------------|--------|-----------------|--------|
| B28WA-R...P | 78 | B45BC-R100150 | 219 | B5101-RKS... | 206 |
| B28WA-R...U | 85 | B45BY-R... | 217 | B5101-RKV... | 206 |
| B28W-R...P | 78 | B45BY-RK... | 217 | B5101S...BB-A | 203 |
| B28W-R...U | 85 | B45BY-SK... | 217 | B5101S...BB-B | 204 |
| B31M-G..... | 77 | B45BY-SKV... | 217 | B5101S...BB-C | 205 |
| B31M-R.... | 77 | B45BY-TB... | 217 | B5101S...CC-A | 203 |
| B31M-R..... | 77 | B45CC-R... | 219 | B5101S...CC-B | 204 |
| B31M-R..... | 77 | B45CC-R100150 | 219 | B5101S...CC-C | 205 |
| B31RMP-G..... | 10 | B45MP-R.. | 215 | B5101V...BB-A | 203 |
| B31TP-G..... | 50 | B45MP-RK... | 215 | B5101V...BB-B | 204 |
| B31TT-G..... | 50 | B45MP-RKV... | 215 | B5101V...BB-C | 205 |
| B31W-G.....P | 76 | B45MP-R...V | 215 | B5101V...CC-A | 203 |
| B31W-G.....U | 84 | B46MP-R... | 215 | B5101V...CC-B | 204 |
| B31WMP-G..... | 10 | B46MP-R...V | 215 | B5101V...CC-C | 205 |
| B31WMP-R..... | 10 | B54BMP-R... | 115 | B5102E...-A | 207 |
| B31W-R.....P | 76 | B54BMPS-GL... | 116 | B5102E...-F | 209 |
| B31W-R.....P | 76 | B54BMP-SK... | 115 | B5102E...-G | 209 |
| B31W-R.....P | 76 | B54BMPS-R... | 116 | B5102E...-H | 209 |
| B31W-R.....U | 84 | B54BMPS-SK... | 116 | B5102-RKE... | 208 |
| B31W-R.....U | 84 | B54G-P... | 115 | B5102-RKS... | 208 |
| B31W-R...U | 84 | B3114MP-G..... | 20 | B5102-RKV... | 208 |
| B32W-G.....P | 77 | B3114MP-R.... | 20 | B5102S...-A | 207 |
| B32W-G.....U | 84 | B3114MP-R..... | 20 | B5102V...-A | 207 |
| B32W-R.....P | 77 | B3114MP-R..... | 20 | B5121E...LL-C | 213 |
| B32W-R.....P | 77 | B3115F-G..... | 50 | B5121E...LL-G | 213 |
| B32W-R...P | 77 | B3214MP-G..... | 21 | B5121E...WW-C | 213 |
| B32W-R.....U | 84 | B3214MP-R.... | 21 | B5121E...WW-G | 213 |
| B32W-R...U | 84 | B3214MP-R..... | 21 | B5416MP-A... | 115 |
| B32W-R...U | 84 | B3214MP-R..... | 21 | B5416MP-A100150 | 115 |
| B38SL-G... | 86 | B5101E...BB-A | 203 | BARVE3--G150 | 222 |
| B38SL-G.... | 86 | B5101E...BB-B | 204 | BARVE-G... | 221 |
| B38SL-R... | 86 | B5101E...BB-C | 205 | BARV-G... | 221 |
| B38SL-R.... | 86 | B5101E...CC-A | 203 | BB3-0•AG | 167 |
| B38W-R... | 86 | B5101E...CC-B | 204 | BB3-0•AGMB | 167 |
| B38W-R.... | 86 | B5101E...CC-C | 205 | BB3-0•MG | 167 |
| B45ABFD150 | 220 | B5101E...CC-F | 209 | BB3-0•MGMB | 167 |
| B45AB-R... | 219 | B5101E...CC-G | 209 | BCC-... | 22 |
| B45AB-R100150 | 219 | B5101E...CC-H | 209 | BCW-... | 79, 85 |

| | Page # | | Page # | | Page # |
|-----------------|---------------|------------------|----------|-----------------|--------|
| BF302•..... | 124 | BV2GG-•••CC-A | 178 | C16-0•M | 170 |
| BMAS974 | 137 | BV-2G-GK••• | 178 | C16-0•MMB | 170 |
| BNS•• | 137 | BV2HG-•••11 | 190 | C26-0•A | 170 |
| BS•-•••••••• | 124 | BV2HG-•••11-BBC | 191 | C26-0•AMB | 170 |
| BS••••••••• | 124 | BV2HG-•••11-BCC | 191 | C26-0•M | 170 |
| BS••••••••• | 124 | BV2HG-25011-EP | 190 | C26-0•MMB | 170 |
| BS-01-R••• | 119 | BV2I*-•••••-A | 183 | CBSR••• | 159 |
| BS-02-R••••• | 119, 123 | BV2IC-•••WW-A | 180 | CILR••• | 159 |
| BS-05-R••••• | 119, 123 | BV2IG-•••11 | 192 | CSSR••• | 159 |
| BS-09-U••••• | 119, 121, 123 | BV2IG-•••11-BBC | 193 | CTER••• | 159 |
| BS-16-R••• | 119 | BV2IG-•••11-BCC | 193 | D150SDB | 138 |
| BS-26-R••• | 119 | BV3BVLr-•••••-A | 186 | D150S-WAND | 138 |
| BS-31-R••••• | 121, 123 | BV3BV*R-••••• | 198 | DIN-SMS-60/90SP | 89 |
| BS-32-R••••• | 121 | BV3BV*R-•••••BBC | 199 | DIN-SMS90/155SP | 89 |
| BS-35-R••••• | 121 | BV3BV*R-•••••BCC | 199 | DM150SDB | 138 |
| BS-36-R••• | 121, 123 | BV3BVTR-•••••-A | 186 | F03-01• | 166 |
| BSCCQ1-R••• | 118 | BV3IG*F-••••• | 196 | F03-01•MB | 166 |
| BSCCQ2-R••• | 118 | BV3IG*F-•••••BBC | 197 | F03-02• | 166 |
| BSCCQ3-R••• | 120 | BV3IG*F-•••••BCC | 197 | F03-02•MB | 166 |
| BSCCQ4-R••• | 122 | BV3IGLF-•••••-A | 184 | F08-02• | 166 |
| BS-•••-R••••• | 123 | BV3IGTF-•••••-A | 184 | F08-02•MB | 166 |
| BS-•••••-R••••• | 119, 121, 123 | BV3S•LF•••C-A | 176 | F16G-••••• | 160 |
| BSVACV-N••••• | 227 | BV3S•LR•••C-A | 176 | F24G-••••• | 160 |
| BSVA-NRKS••• | 228 | BV-3S•RK••• | 176 | F32G-••••• | 160 |
| BSVICV-N••••• | 229 | BV3S•TF•••C-A | 176 | F48G-••••• | 160 |
| BSVI-NRKS••• | 230 | BV3S•TR•••C-A | 176 | F64G-••••• | 160 |
| BSVW•-G••• | 231 | BV-3SV•RK••• | 176 | FRRE-T•• | 156 |
| BSVW-RKP | 232 | BV-23-HA••• | 173, 175 | FRR-T•• | 156 |
| BSVW-RKS | 232 | BV-23-HA••••• | 173, 175 | G34HRPSI | 150 |
| BTG-G50 | 233 | BWSG | 137 | G75HRPSS | 150 |
| BV2BV-•••11 | 194 | BWSG-W | 137 | G100HRPSS | 150 |
| BV2BV-•••11-BBC | 195 | C03-0•A | 169 | G152HRPSI | 150 |
| BV2BV-•••11-BCC | 195 | C03-0•AMB | 169 | G••-A-AL | 148 |
| BV2BV-•••••-A | 185 | C03-0•M | 169 | G•••-A-AL | 148 |
| BV2C-•••CC-A | 174 | C03-0•MMB | 169 | G••-A-SS | 148 |
| BV-2C-•K••• | 174 | C08-02• | 169 | G•••-A-SS | 148 |
| BV2CV-•••CC-BBC | 189 | C08-02•MB | 169 | G••-B-AL | 149 |
| BV2CV-•••CC-BCC | 189 | C16-0•A | 170 | G•••-B-AL | 149 |

| | Page # | | Page # | | Page # |
|-------------|--------|----------------|--------|-----------------|--------|
| G••-B-SS | 149 | L08-02A | 168 | STC-180•-R••• | 136 |
| G••-C-AL | 149 | L08-02AMB | 168 | STC-360-R••• | 136 |
| G••-C-AL | 149 | L14AJP-G••• | 57 | STC-RK••• | 136 |
| G••-C-SS | 149 | L14AJP-R••• | 57 | SWDS | 139 |
| G••-C-SS | 149 | L14AM7-G•• | 10 | SWDSHOSE•• | 137 |
| G••-D-AL | 149 | L14AM7-G••• | 10 | T2CM-•••PL | 93 |
| G••-D-AL | 149 | L14AM7-G•••• | 10 | T2CM-•••PM | 93 |
| G••-DC-AL | 150 | L14AM7-R•• | 10 | T2CMP-•••PL | 93 |
| G••-DC-AL | 150 | L14AM7-R••• | 10 | T2CMP-•••PM | 93 |
| G••-DC-SS | 150 | L14AM7-R•••• | 10 | T2KM-•••PL | 94 |
| G••-DC-SS | 150 | L14AM7V-R••• | 36 | T2KM-•••PM | 94 |
| G••-DP-AL | 149 | L14AM7X-R••• | 36 | T2KMP-•••PL | 94 |
| G••-DP-AL | 149 | L15AJP-G••• | 57 | T2KMP-•••PM | 94 |
| G••-DP-SS | 149 | L15AJP-R••• | 57 | T2KS-•••PL | 93 |
| G••-DP-SS | 149 | LUAS-08 | 140 | T2KS-•••PM | 93 |
| G••-D-SS | 149 | LUCP-14 | 140 | T2S88-•••PL | 94 |
| G••-D-SS | 149 | LUPG-08 | 140 | T2S88-•••PM | 94 |
| G••-E-AL | 148 | LUPO-16 | 140 | T2S92-•••PL | 94 |
| G••-E-AL | 148 | NG•• | 86 | T2S92-•••PM | 94 |
| G••-E-SS | 148 | R03-0•R | 166 | T2S-•••PL | 93 |
| G••-E-SS | 148 | R03-0•RG | 166 | T2S-•••PM | 93 |
| G••-F-AL | 148 | R08-02R | 167 | T7IMPS-••••••PL | 98 |
| G••-F-AL | 148 | R08-02RG | 167 | T7IMPS-••••••PM | 98 |
| G••-F-SS | 148 | RC••BT | 147 | T7IWWMS••••••PL | 98 |
| G••-F-SS | 148 | RC••SE | 147 | T7IWWMS••••••PM | 98 |
| G••HRP | 150 | RE••BT | 147 | T7MP-•••PL | 96 |
| G••HRP | 150 | RE••SE | 147 | T7MP-•••PM | 96 |
| G•••••HRPSS | 150 | RJT-•••SP | 90 | T7MPS-•••PL | 97 |
| HA0••• | 159 | SBC-E300CC13 | 23 | T7MPS-•••PM | 97 |
| IXAN•• | 158 | SBC-E300TP13 | 51 | T7RMP-••••••PL | 96 |
| IXFDPLG••• | 157 | SJSS••BB-20 | 141 | T7RMP-••••••PM | 96 |
| IXFS•• | 158 | SJSS••CC-20 | 141 | T7RMPS-••••••PL | 98 |
| IXFS32-3A | 158 | SPOOL *-G••• | 21 | T7RMPS-••••••PM | 98 |
| IXMS•• | 158 | SPOOL *-R••• | 21 | T7RWWMS••••••PL | 97 |
| IXPE32-3A | 157 | SRH360•••-G••• | 135 | T7RWWMS••••••PM | 97 |
| IXSE•• | 158 | SRH360•••-R••• | 135 | T7RWWW-••••••PL | 95 |
| IXSE••-3A | 157 | SSA•• | 137 | T7RWWW-••••••PM | 95 |
| L03-0•A | 168 | SSBV•• | 182 | T7WWM-•••PL | 95 |

| | Page # |
|----------------|---------|
| T7WWMS-...PL | 97 |
| T7WWMS-...PM | 97 |
| T7WWW-...PL | 95 |
| T7WWW-...PM | 95 |
| T14VB-...PL | 103 |
| T16AMP-.....PL | 102 |
| T16AMP-...PL | 102 |
| T16AMP-.....PM | 102 |
| T16AMP-...PM | 102 |
| T16W-...PL | 102 |
| T16W-...PM | 102 |
| T21MP-.....PL | 103 |
| T21MP-...PL | 103 |
| T22MP-.....PL | 103 |
| T22MP-...PL | 103 |
| T31M-.....PL | 99 |
| T31M-.....PM | 99 |
| T31W-.....PL | 99 |
| T31W-.....PM | 99 |
| T32M-.....PL | 101 |
| T32M-.....PM | 101 |
| T32W-.....PL | 100 |
| T32W-.....PM | 100 |
| T3114MP.....PL | 100 |
| T3114MP.....PM | 100 |
| T3214MP.....PL | 101 |
| T3214MP.....PM | 101 |
| TCMR-T.. | 156 |
| TCR-T..... | 156 |
| TL14AM7-...PL | 11, 102 |
| TL14AM7-...PM | 102 |
| TVPC200-300 | 223 |
| TVSEC-G... | 225 |
| WDS1 | 139 |
| WDSR | 139 |

Limited Warranty

DIXON VALVE AND COUPLING COMPANY (herein called "Dixon") warrants the products described herein, and manufactured by Dixon to be free from defects in material and workmanship for a period of one (1) year from date of shipment by Dixon under normal use and service. Its sole obligation under this warranty being limited to repairing or replacing, as hereinafter provided, at its option any product found to Dixon's satisfaction to be defective upon examination by it, provided that such product shall be returned for inspection to Dixon's factory within three (3) months after discovery of the defect. The repair or replacement of defective products will be made without charge for parts or labor. This warranty shall not apply to: (a) parts or products not manufactured by Dixon, the warranty of such items being limited to the actual warranty extended to Dixon by its supplier; (b) any product that has been subject to abuse, negligence, accident, or misapplication; (c) any product altered or repaired by others than Dixon; and (d) to normal maintenance services and the replacement of service items (such as washers, gaskets and lubricants) made in connection with such services. To the extent permitted by law, this limited warranty shall extend only to the buyer and any other person reasonably expected to use or consume the goods who is injured in person by any breach of the warranty. No action may be brought against Dixon for an alleged breach of warranty unless such action is instituted within one (1) year from the date the cause of action accrues. This limited warranty shall be construed and enforced to the fullest extent allowable by applicable law.

Other than the obligation of Dixon set forth herein, Dixon disclaims all warranties, express or implied, including but not limited to any implied warranties of merchantability or fitness for a particular purpose, and any other obligation or liability. The foregoing constitutes Dixon's sole obligation with respect to damages, whether direct, incidental or consequential, resulting from the use or performance of the product.

Some products and sizes may be discontinued when stock is depleted, or may require a minimum quantity for ordering.

Limits of Liability

This catalog is intended as a product offering. It is not intended to be a user or technical manual. Information in this catalog is subject to change without notice. All users and distributors of products sold through this catalog should contact Dixon™ with questions of use, compatibilities, coupling procedures and life of product. Our full-time engineering and test staff is always available to recommend uses and to assist distributors and users with any questions.



Safety



Safety logos, which appear throughout our catalog, are used as a reminder that the user should carefully review for the appropriateness of the product for the media, application and environment in which it will be used.

NOTE: Because of the health hazards associated with contamination and lead content in drinking water systems, Dixon™ couplings, unless otherwise specifically approved, are not recommended for potable water service and should not be used in applications where drinking water will contact the wetted surfaces of the coupling.

Warning: Dixon™ products may contain chemicals known to the State of California to cause cancer, birth defects, or other reproduction harm.

Copyright

Copyright © 2016 by Dixon Valve and Coupling

All rights reserved. This book is copyrighted material. Use, reproduction or copying of it by anyone other than Dixon™ is strictly forbidden without its express written consent.

GOODYEAR
GOODYEARBELTING.COM

Call Toll Free: 1-866-711-4673
International: +1-727-342-5086

We Ship
World Wide

| | |
|----------|---|
| A | Clamp Fittings pages 7-33 |
| B | Pipe Fittings pages 34-42 |
| C | Bevel Seat pages 43-54 |
| D | John Perry pages 55-59 |
| E | I-Line / Q-Line pages 60-69 |
| F | Polished Fittings pages 70-79 |
| G | Unpolished Fittings pages 80-86 |
| H | European Fittings pages 87-91 |
| I | BPE Fittings pages 92-106 |
| J | Tubing pages 107-108 |
| K | Tube Hangers & Flanges pages 109-114 |
| L | Sight Glasses pages 115-116 |
| M | Strainers pages 117-125 |
| N | Instrumentation pages 126-134 |
| O | Clean, Washdown & Main. pages 135-140 |
| P | Swivels pages 141-143 |
| Q | Cam & Groove pages 144-154 |
| R | Hose Fittings pages 155-163 |
| S | Air Fittings pages 164-170 |
| T | Ball Valves pages 171-200 |
| U | Butterfly Valves pages 201-213 |
| V | Check Valves pages 214-226 |
| W | Samples Valves pages 227-233 |

United States

Albany, NY
ph 518.725.0998
178A Corporate Drive
Gloversville, NY 12078
fx 518.725.8542

Atlanta, GA
ph 770.486.9619
101 T.D.K. Boulevard
Suite A
Peachtree City, GA 30269
fx 770.486.9813

Chestertown, MD
ph 800.355.1991
800 High Street
Chestertown, MD 21620
fx 800.283.4966

Chicago, IL
ph 630.323.3716
1011 N. Hilltop Drive
Itasca, IL 60143
fx 630.323.4120

Cleveland, OH
ph 330.425.3000
1900 Enterprise Parkway
Twinsburg, OH 44087
fx 330.425.1527

Dallas, NC
ph 704.376.5755
2925 Chief Court
Dallas, NC 28034
fx 704.376.1557

Houston, TX
ph 713.678.4291
6525 Homestead Road
Houston, TX 77028
fx 713.678.8105

Kansas City, MO
ph 816.221.0064
1244 Saline Street
N. Kansas City, MO 64116
fx 816.221.1108

Los Angeles, CA
ph 909.605.6400
8840 Flower Road
Suites150/160
Rancho Cucamonga, CA 91730
fx 909.605.6200

Portland, OR
ph 503.289.0400
2642 North Marine Drive
Portland, OR 97217
fx 503.289.0600

Salt Lake City, UT
ph 801.972.1180
McGillis Ind. Pk. Bldg., #4
1972 South 4370 West
Salt Lake City, UT 84104
fx 801.972.8063

Tampa, FL
ph 813.247.3500
5120 Adamo Drive
Suite E
Tampa, FL 33619
fx 813.247.7910

International

Edmonton, Alberta, Canada
ph 780.469.5444
fx 780.463.9205

Innisfil, Ontario, Canada
ph 705.436.1125
fx 705.436.6251

Montreal, Quebec, Canada
ph 514.422.9292
fx 514.422.0166

Wingfield SA, Australia
ph 61.8.8202.6000
fx 61.8.8202.6099

Preston, England
ph 44.1.77.232-3529
fx 44.1.77.231.4664

Troisdorf-Spich, Germany
ph 49.2241.84406.0
fx 49.2241.8440679

Monterrey, Mexico
ph 52.81.8354.5649
fx 52.81.8354.8197



The Right Connection®

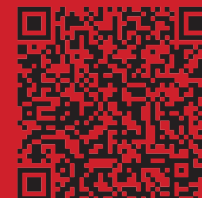
Dixon Sanitary

N25 W23040 Paul Road
Pewaukee, WI 53072
Customer Service: 800.789.1718
fx: 800.789.4046

dixonvalve.com



customer service



Call Toll Free: 1-866-711-4673
International: +1-727-342-5086

GOODYEAR
GOODYEARBELTING.COM

**We Ship
World Wide**