



The Right Connection®

2014

Dixon Bayco



Service • Reliability • Innovation

dixonvalve.com

GOODYEAR
RUBBER PRODUCTS INC.

Call Toll Free: **1-866-711-4673**
WebSales@GoodyearRubberProducts.com

**We Ship
World Wide**

Table of Contents

Dry Bulk Products2-25

Air Relief Valve Theory of Operation	2
Air Relief Valve Periodic Inspection, Cleaning and Maintenance	2
Air Relief Testing Equipment	21
Blower Air Relief Valves (2182 Series)	3
Blower Mounted Swing Check Manifolds	8
Pneuclean™ Pneumatic Filtration System	12
Trailer/Tank Mounted Air Relief Valves	4
Fixed Pressure Setting	4
Adjustable Pressure Setting	5
PVC Coated Lanyards.....	5
Trailer/Tank Mounted Vacuum Relief Valves	6
Swing Check Valves	10-11
Classic 3000 Series.....	10
High Flow Series.....	11
Grooved Pipe Connections	14-15
Aluminum Bolt Clamps	14
Aluminum Quick Connect Clamps.....	15
Butterfly Valves.....	16-17
One Piece Aluminum Body with Iron Disk and Black Buna Seals	16
One Piece Aluminum Body with Stainless Disk and White Buna Seals ..	16
Two Piece Aluminum Body with Stainless Disk and White Buna Seals...	17
Replacement Parts	17
Hose Tube Doors.....	21
Hopper Tees	18-19
Fluidizers	20
TTMA Flanges	9
Threaded Flanges.....	9

Weldable Flanges	22
Reducing Flanges	24
Flange Gaskets	9
Flange Dimensions	9
Flange x Cam & Groove	24
Cam & Groove.....	25
With Straight Thread.....	25

Replacement Parts26-36

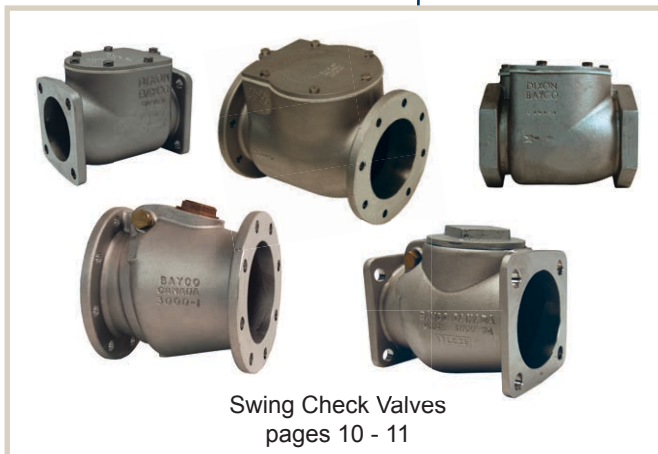
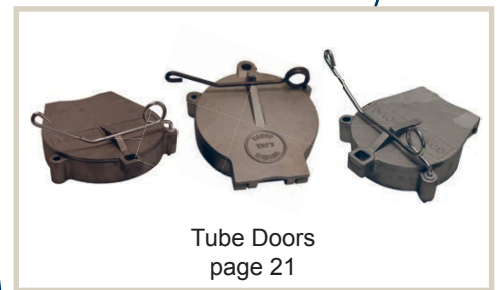
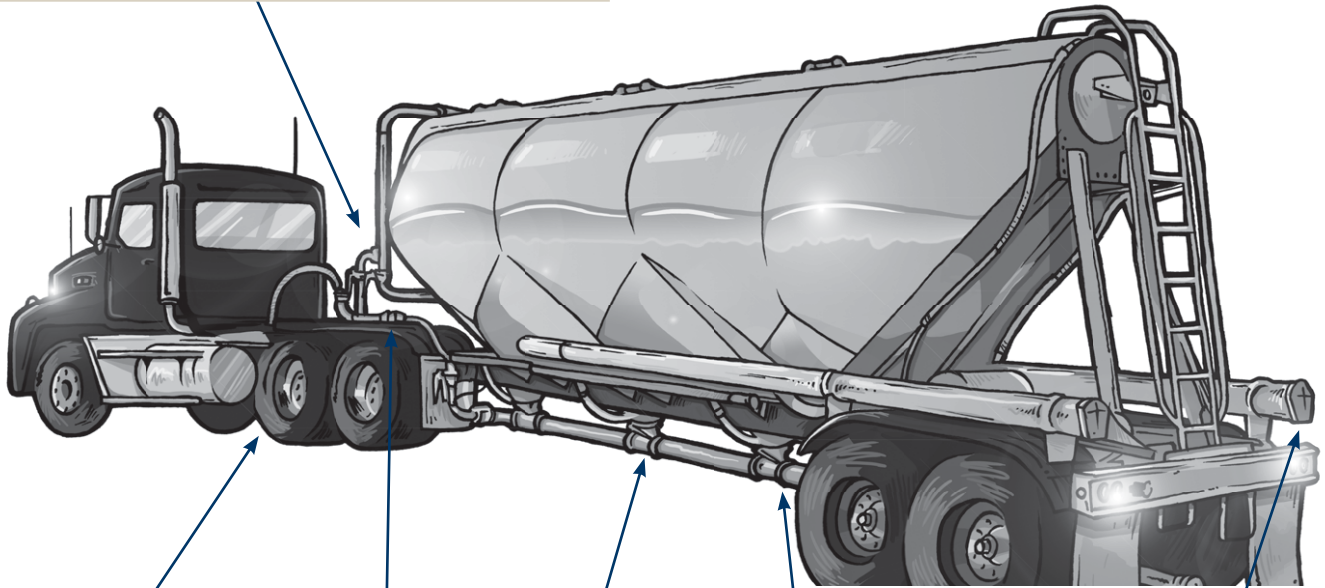
Air Relief Valves	26, 28-29
Vacuum Relief Valves	29-30
Swing Check Valves	31-35

Index37-39

We Commit

- To ensure that internal and external customer needs are identified and that our products and services meet these needs.
- To fully meet and exceed the requirements of the ISO 9001 Quality Program.
- To strive for quality in each and every phase of our business.
- To exceed competitor's quality.
- To provide systems and training for all Dixon employees.
- To create an environment that will allow each employee to do it right the first time, and accept the responsibility for quality in each and every task they perform.
- That no employee will ever be called on to do anything morally, legally or ethically wrong.

Bayco brand dry bulk products are designed for use with bulk trailers and truck blowers for the pneumatic transfer of dry bulk commodities such as powders, grains and plastic pellets. Other industrial applications are possible where pneumatic control of air or dry products is required.



Air Pressure Relief Valves

Theory of Operation

All Bayco air relief valves are spring-loaded system-pressure actuated devices consisting of a valve disc held in a closed position against a valve seat by means of a spring. The pressure in the system to be protected acts on the valve disc and tends to open the valve; however, the spring load is set to ensure that at normal operating pressures, the pressure in the system is insufficient to open the valve. However, when the system pressure builds to a level where the pressure load on the valve disc is equal or near to the load exerted by the spring, the valve will begin to open. If the pressure in the system were to be held at this level, the load due to system pressure and the spring load would remain in equilibrium and the valve would be neither opened nor closed. In such circumstances the valve will tend to flutter on the valve seat and may release a small amount of air but will not be relieving significant pressure from the system. This point is known as the warning pressure, cracking pressure or hissing pressure.

If the pressure in the system continues to rise, the load acting on the face of the valve will also rise and will begin to exceed the load exerted by the spring. When the load due to system pressure exceeds the spring load, the valve will open and will remain open as long as the system pressure remains sufficient. This point is known as the opening pressure or set pressure (also referred to as rated or popping pressure). The difference between the crack pressure and opening pressure varies between valves and is related to the system flow rate. However, the two should not be confused as there is a significant difference in pressure between the two points.

If the system pressure continues to rise, the valve will continue to open and will relieve more and more air until the valve is fully open. At this point the valve will be relieving close to its maximum airflow rate; further increase in system pressure will show only relatively minor increases in flow rate. If the system pressure decreases, the relieving airflow rate will reduce and the valve will start to close. However, the valve will not fully re-seat until the pressure is below the opening pressure. This pressure is known as the Reseating Pressure and the difference between the two pressures is known as "blowdown".

In practice the valve should be matched to the system to be protected such that the maximum airflow rate of the valve is never utilized, i.e. the valve should be capable of relieving a sufficient volume flow rate of air at the opening pressure to ensure that the system pressure drops significantly. If the valve is open and the system pressure continues to rise above the opening pressure then the valve is relieving less air than is being put into the system. This is a potentially dangerous situation that may lead to over pressurization. The relieving airflow rate of an air relief valve at the maximum allowable system pressure, and ideally at the opening pressure, should be well in excess of the system input flow rate at that same pressure.

Periodic Inspection, Cleaning and Maintenance

Dixon Bayco air relief valves are designed and built to provide accurate and consistent operation; however periodic inspection, cleaning, and maintenance of these valves is required to ensure continued trouble free service.

Dixon Bayco air relief valves consist of a spring-loaded poppet valve that seals against a rigid annular valve seat. When the system pressure reaches the valve opening pressure, the poppet lifts and system air passes under the poppet and out to atmosphere. When a sufficient volume of air has been relieved, the system pressure will drop and the poppet will re-seat.

When these valves are used in applications that subject them to particulate laden air, there is potential for contamination of the valve. Larger particles such as grains, plastic pellets etc. can get trapped between the valve seating surfaces. Applications involving fine particles such as cement, fly ash, lime, flour etc. can result in a cementing of hardened product on the valve seat or poppet surface. These situations can prevent the valve from fully re-seating, prevent it from opening and can lead to early opening or leakage from the valve.

To prevent this from occurring we advise that air/vacuum relief valves be regularly inspected, cleaned and maintained. At a minimum the valve seat and poppet sealing surface should be inspected and cleaned, and the small air vent hole in the top casting checked for blockage. The inspection, cleaning, and maintenance should be carried out with the valve removed from the system, and in a clean environment.

All relief valves are available with threaded connections. In addition 2180, A2180 and A2182 series air relief valves are available with cam and groove adapter or grooved pipe connections. These types of connections make removal and installation of the valves much easier to allow for inspections, cleaning and maintenance.



Before servicing or removing any component from the pneumatic system, the blower must be turned off and all residual air released from the system.

Products for Blowers

Blower Air Relief Valves

Application:	Designed specifically for use on tractor mounted air blowers. The 2182 air relief valves have a temperature compensated pressure relief setting to accommodate the high temperatures and dynamic air produced by the blower. If a system blockage were to occur, the valves are designed to vent to atmosphere once the valve pressure setting is achieved.
Standards:	The 2182 valve will relieve at the ordered set pressure at a temperature of 400°F / 204°C. At room temperature (73°F / 22°C) the 2182 valve will relieve approximately 4 PSI higher than the ordered set pressure. The product label shows the set relief pressure at the blower operating temperature, plus the relief pressure at 73°F / 22°C (for testing purposes). Depending on the blower type, amount of vibration and operating temperature a difference of observable set pressure may occur. Example: 2182-18 is set to relieve at 18 PSI while at operating temperature. This same valve will test at 22 PSI while at room temperature on a test bench. Both set points are listed on the label. Available with 2" male or female NPT connections.
Materials:	Aluminum anodized hard coat body, white food grade silicone poppet and diaphragm
Features & Benefits:	<ul style="list-style-type: none"> • The popular pressure setting for truck mounted blowers is 20 PSI. Valves are available for other applications with temperature compensated pressure settings of between 3 PSI and 24 PSI. Customer should request set pressure at time of order. • High relieving capacity varies between 800 SCFM and 1700 SCFM depending upon the chosen set pressure. For specific relief rates please refer to our website or contact Dixon. • Installed cup seal deters tampering • Anodized aluminum body reduces thread galling

Dry Bulk Products



2182F



2182


Part #	Connection
2182F/xx	2" NPTF air relief valve with special factory setting, see note xx below
2182F/18	2" NPTF air relief valve 18 PSI setting
2182F/20	2" NPTF air relief valve 20 PSI setting
2182/xx	2" NPTM air relief valve with special factory setting, see note xx below
2182/18	2" NPTM air relief valve 18 PSI setting
2182/20	2" NPTM air relief valve 20 PSI setting

- xx refers to choice of pressure setting, request the required pressure setting when ordering.
- See page 23 for air relief testing equipment

Trailer/Tank Mounted Air Relief Valves

Fixed Pressure Setting Valves

Dry Bulk Products

Application:	<p>Designed specifically for use on trailer tanks containing dry bulk products. If a system blockage were to occur the valves are designed to vent to atmosphere once the valve pressure setting is achieved.</p> <p>Not intended for blower service (for blower service applications see the 2182 series air relief valves shown on page 3) </p>
Standards:	<p>Available with 2 set pressure tolerances:</p> <ol style="list-style-type: none"> 1) 2180/3180 series have a +3/-0 set pressure tolerance (valve opens at set pressure plus 3 PSI) 2) A2180/A3180 series have a +1/-0 set pressure tolerance (valve opens at set pressure plus 1 PSI) <ul style="list-style-type: none"> • 2180/A2180 are available with 2" male or female NPT, cam and groove adapter or grooved pipe connections. • 3180/A3180 are available only with 3" female NPT connections
Materials:	<p>Bayloy vent cowl with aluminum upper, bronze poppet with white food grade silicone diaphragm in the 2180/A2180, red silicone diaphragm in the 3180/A3180</p>
Features & Benefits:	<ul style="list-style-type: none"> • Available with a variety of pressure settings, see chart below for model specific available pressure settings. Customer should request set pressure at time of order. • Relieving capacity (SCFM) varies dependent upon model and pressure setting. See chart below, or for specific relief rates please refer to our website or contact Dixon. • Installed cup seal deters tampering • Bayloy body eliminates thread galling • PVC coated wire lanyard available for securing air relief valves (see page 5)



2180



2180B/15



2180V/15



3180

Valve Series	Valve Connection	Available Factory Set Pressure Range (PSI) ¹	Set Pressure Tolerance (PSI)	Diaphragm Material	Relieving Capacity (SCFM) ²
2180/xx	2" female NPT	2 to 25	+3/-0	white food grade silicone	500 to 950
2180/15	2" NPTF air relief valve	15	+3/-0	white food grade silicone	500 to 950
2180/18	2" NPTF air relief valve	18	+3/-0	white food grade silicone	500 to 950
A2180/xx	2" female NPT	2 to 27	+1/-0	white food grade silicone	500 to 950
2180B/15	2" cam and groove adapter	15	+3/-0	white food grade silicone	500 to 950
2180V/15	2" grooved	15	+3/-0	white food grade silicone	500 to 950
3180/xx	3" female NPT	4 to 30	+3/-0	red silicone	750 to 1500
A3180/xx	3" female NPT	6 to 32	+1/-0	red silicone	750 to 1500

¹ request the required pressure setting when ordering (xx refers to choice of pressure setting)

² relieving capacity (SCFM) varies with set pressure, for specific rates please refer to our website or contact Dixon

- See page 28 for repair kits
- See page 23 for air relief testing equipment

Trailer/Tank Mounted Air Relief Valves

Adjustable Pressure Setting Valves

Application:	<p>Designed specifically for use on trailer tanks containing dry bulk products. If a system blockage were to occur, the valves are designed to vent to atmosphere once the valve pressure setting is achieved. The advantage of the adjustable air relief valve is that the factory preset pressure can be tuned by -3/+3 PSI to meet tank/application specific pressure requirements (adjustments should be performed by either the tank builder or tank maintenance facility). Not intended for blower service (for blower service applications see the 2182 series air relief valves shown on page 3)</p> <p>Not Rated for ASME Coated Service Requirements</p>
Standards:	<p>Valves have a +1/-0 set pressure tolerance (valve opens at set pressure plus 1 PSI) and are adjustable by -3/+3 PSI.</p> <ul style="list-style-type: none"> A2180ADJ has a 2" female NPT and A3180ADJ has a 3" female NPT connection
Materials:	<p>Bayloy vent cowl with aluminum upper, bronze poppet with white food grade silicone diaphragm in the 2180/A2180, red silicone diaphragm in the 3180/A3180</p>
Features & Benefits:	<ul style="list-style-type: none"> Available with a variety of pressure settings, see chart below for model specific available pressure settings. Customer should request set pressure at time of order. The factory preset pressure can be tuned by -3/+3 PSI to meet tank/application specific pressure requirements (adjustments should be performed by either the tank builder or tank maintenance facility). Relieving capacity (SCFM) varies dependent upon model and pressure setting. See chart below, or for specific relief rates please refer to our website or contact Dixon. Installed cup seal deters tampering Bayloy body eliminates thread galling



A2180-xxADJ



A3180-xxADJ

Valve Series	Valve Connection	Available Factory Set Pressure Range (PSI) ¹	Set Pressure Tolerance (PSI)	Diaphragm Material	Relieving Capacity (SCFM) ²
A2180/xxADJ	2" female NPT	9 to 30	+1/-0	white food grade silicone	500 to 950
A3180/xxADJ	3" female NPT	9 to 30	+1/-0	red silicone	750 to 1500

¹ request the required pressure setting when ordering (xx refers to choice of pressure setting)

² relieving capacity (SCFM) varies with set pressure, for specific rates please refer to our website or contact Dixon

• Relieving pressure is factory set at 21C, high temperatures will affect the actual relieving pressure.

• See page 23 for air relief testing equipment

PVC Coated Lanyards



CAL15

Part #	Description
CAL15	15" long PVC coated carbon steel cable, with aluminum crimp sleeves. One end is factory crimped, other end is un-crimped for field inspection.
CAL25	25" long PVC coated carbon steel cable, with aluminum crimp sleeves. One end is factory crimped, other end is un-crimped for field inspection.

Trailer/Tank Mounted Air Relief Valves

Vacuum Relief Valves

Dry Bulk Products

Application:	Designed specifically for use on trailer tanks containing dry bulk products. If a system blockage were to occur the valves are designed to open to atmosphere to help prevent the tank from imploding.
Standards:	These valves come with a set vacuum tolerance of +/-0.5 HG, available in 3 body sizes: <ul style="list-style-type: none"> • 1½" male NPT outlet (tank connection) x 1½" female NPT inlet (atmosphere) • 2" male NPT outlet (atmosphere) x 2" female NPT inlet (tank connection) • 3" female NPT outlet (tank connection) x 3" female NPT inlet (atmosphere)
Materials:	Bayloy body and bronze poppet
Features & Benefits:	<ul style="list-style-type: none"> • Available with a variety of vacuum settings, see chart below for model specific available pressure settings. Customer should request set pressure at time of order. • Relieving capacity (SCFM) varies deponent upon model and pressure setting. See chart below, or for specific relief rates please refer to our website or contact Dixon. • Installed bolt seal deters tampering • Bayloy body eliminates thread galling



1120



2120



3120

Valve Series	Valve Outlet (Tank Connection)	Valve Inlet (Atmosphere)	Available Factory Set Vacuum Range (HG) ¹	Set Pressure Tolerance (PSI)	Relieving Capacity (SCFM) ²
1120/xx	1½" male NPT outlet (tank connection)	1½" female NPT inlet (atmosphere)	6 to 24	+/- 0.5 HG	175 to 420
2120/xx	2" male NPT outlet (tank connection)	2" female NPT inlet (atmosphere)	5 to 24	+/- 0.5 HG	280 to 600
3120/xx	3" female NPT outlet (tank connection)	3" female NPT inlet (atmosphere)	11 to 25	+/- 0.5 HG	700 to 1350

¹ request the required pressure setting when ordering (xx refers to choice of pressure setting)

² relieving capacity (SCFM) varies with set pressure, for specific rates please refer to our website or contact Dixon

Air Relief Valve Settings

Pressure Relief Valves Minimum and Maximum Settings

Valve Series	Factory Setting	
	Minimum	Max Setting
2180	2 PSI	25 PSI
A2180	2 PSI	27 PSI
A2180ADJ*	9 PSI*	30 PSI*
2182	3 PSI	24 PSI
A2182	6 PSI	27 PSI
2215*	12 PSI*	30 PSI*
3180	4 PSI	30 PSI
A3180	6 PSI	32 PSI
A3180ADJ*	9 PSI*	30 PSI*

Vacuum Relief Valves Minimum and Maximum Settings

Valve Series	Factory Setting	
	Minimum	Max Setting
1120	6" Hg	24" Hg
2120	5" Hg	24" Hg
3120	11" Hg	25" Hg

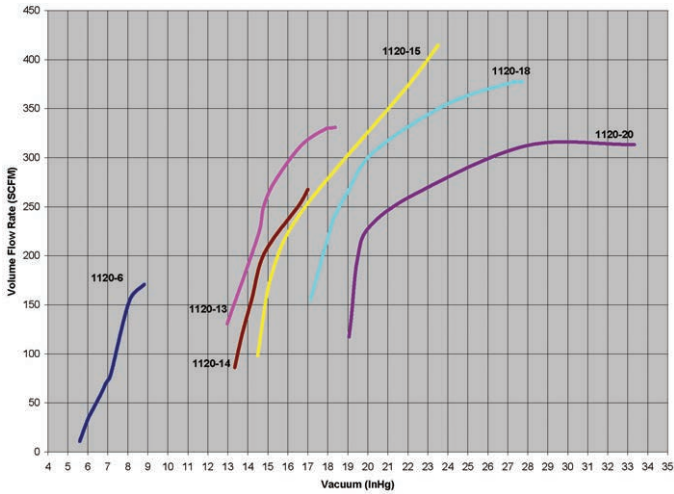
* Customer adjustable by a further +/- 3 PSI. Settings below 9 PSI are obtainable by turning the valve adjustment screw. Example for an 8 PSI setting the valve adjustment would be +4/-2, for 7 PSI +5/-1 and for 6 PSI +6/-0.

Settings above 30 PSI are obtainable by turning the valve adjustment screw. Example for a 31 PSI setting the valve adjustment would be +2/-4, for 32 PSI +1/-5 and for 33 PSI +0/-6

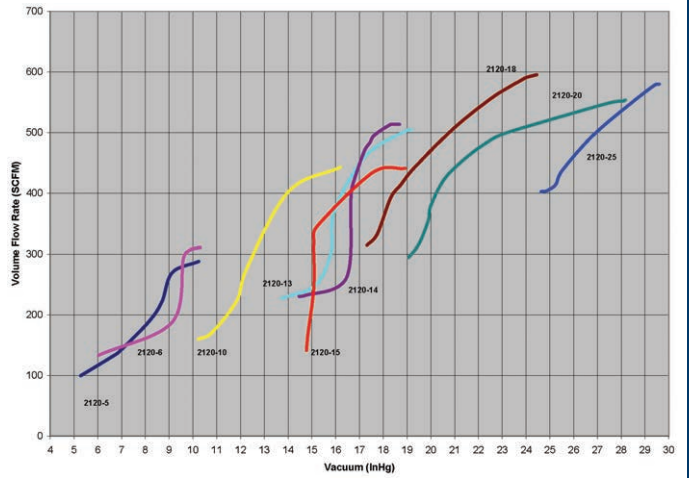
Trailer/Tank Mounted Air Relief Valves

Air Relief Valve Flow Rates

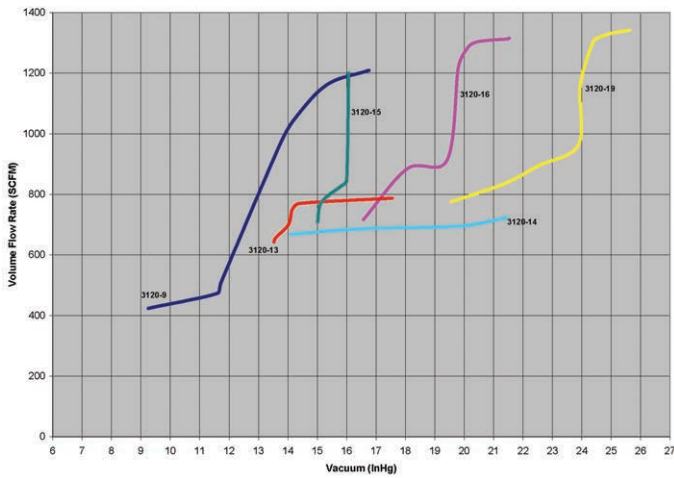
Flow Rate vs Vacuum



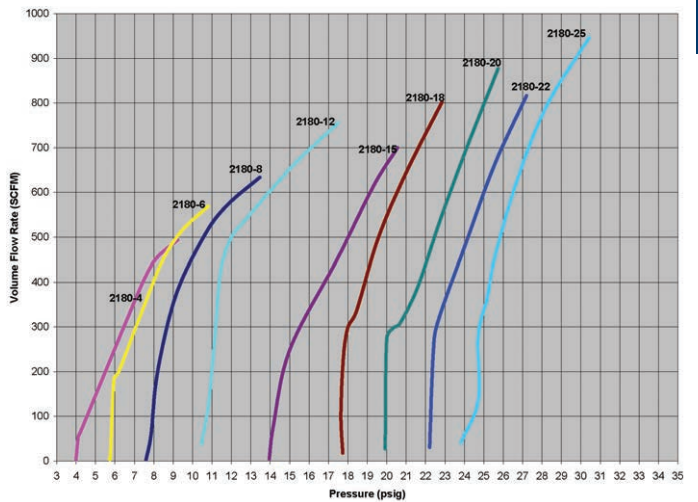
Flow Rate vs Vacuum



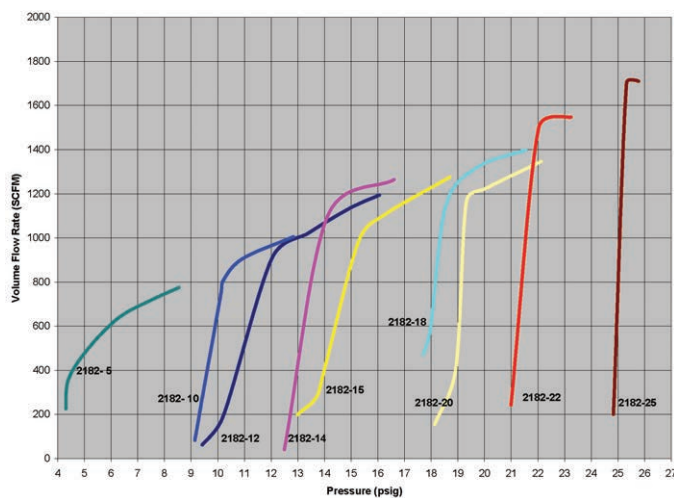
Flow Rate vs Vacuum



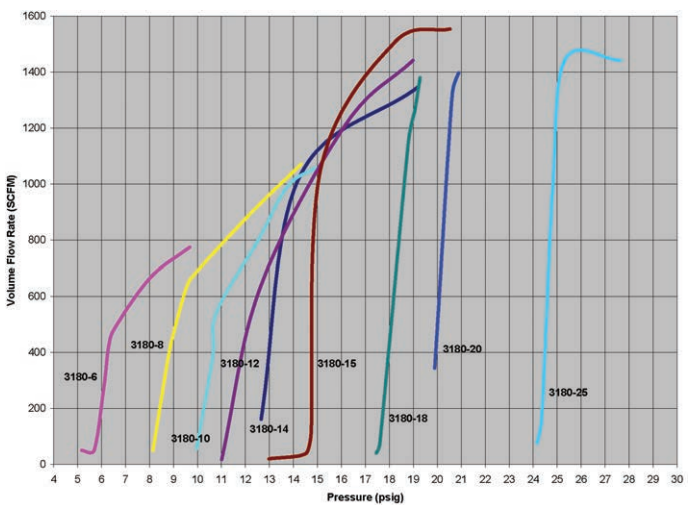
Flow Rate vs Pressure



Flow Rate vs Pressure



Flow Rate vs Pressure



Dry Bulk Products

Products for Blowers

Blower Mounted - Swing Check / Air Relief Manifold

Application:	Designed specifically for use on tractor mounted air blowers and to replace the multiple pipe connections typically used to connect the blower to a swing check and air relief valve.
Standards:	Manufactured with a 4" TTMA flange connection for fastening directly to the blower
Materials:	Aluminum body, silicone flapper and lid seal (400°F / 204°C) stainless hardware
Features & Benefits:	<ul style="list-style-type: none"> • Compact unit includes high flow swing check, port for air relief valve and inlet / outlet ports • Fastens directly to blower using available TTMA thread adapters • 2" NPT port for air relief valve • Interchangeable inlet / outlet ports in 3" and 4" cam and groove and 4" female NPT



3090MA

Part #	Description	Manifold Outlet Connection	Overall Length	Weight
3090F	swing check manifold with white silicone spring loaded flapper	4" female NPT	11-2/5"	7.4
3090M	swing check manifold with white silicone spring loaded flapper	not included	9-5/8"	6.2
3090MS	swing check manifold with white silicone spring loaded flapper and security seal	not included	9-5/8"	6.2
3090MA	swing check manifold with white silicone spring loaded flapper	3" cam & groove adapter	12-1/2"	7.6
3090MA-DC	swing check manifold with white silicone spring loaded flapper	3" cam & groove adapter	14-1/2"	8.9
3090MAS	swing check manifold with white silicone spring loaded flapper	3" cam & groove adapter	12-1/2"	7.6
3090MB	swing check manifold with white silicone spring loaded flapper	4" cam & groove adapter	12-1/2"	7.6
3090MBS	swing check manifold with white silicone spring loaded flapper	4" cam & groove adapter	12-1/2"	7.6
3091MA	swing check manifold with metal spring loaded flapper	3" cam & groove adapter	12-1/2"	7.6
3091MB	swing check manifold with metal spring loaded flapper	4" cam & groove adapter	12-1/2"	7.6
3091MBS	swing check manifold with metal spring loaded flapper	4" cam & groove adapter	12-1/2"	7.6

Swing Check Manifold Inlets / Outlets and Options

Part #	Description
3030SK	anti-tamper security kit for swing check manifold lid, 2 security bolts and wire seal
6000-16	3" cam and groove adapter manifold outlet, requires one 3090RK1 O-ring kit
6000-17	4" cam and groove adapter manifold outlet, requires one 3090RK1 O-ring kit
6000-20	4" female NPT manifold outlet, requires one 3090RK1 O-ring kit
3090RK1	O-ring kit
TTF4AL-3EMT	3" male NPT blower to manifold inlet adapter (requires 4" TTMA gasket)
TTF4AL-4EMT	4" male NPT blower to manifold inlet adapter (requires 4" TTMA gasket)

See page 27 for repair kits and replacement parts

TTMA Series Flange Adapters

Application:	Provides a simple and easy way to convert threaded components to standard TTMA flange configurations. The Dixon TTMA flange adapters have a round TTMA flange on one end with either a male or female NPT thread on the other.
Standards:	Flange connections are manufactured to connect with the TTMA (Tank Truck Manufacturers Association) flange pattern, see page 9 for flange dimensions.
Materials:	Machined one-piece cast aluminum
Features & Benefits:	<ul style="list-style-type: none"> • Solid cast aluminum is more durable than welded fabrications • Compact size reduces the overall space needed for installation • 3" or 4" round TTMA flange pattern with either 3" or 4" male or female NPT



TTF4AL-4MT



TTF4AL-3EMT



TTF4AL-4FT

Part #	Description
TTF3AL-3MT	3" TTMA flange x 3" male NPT, 2½" overall length
TTF4AL-3MT	4" TTMA flange x 3" male NPT, 2½" overall length
TTF4ALHC-3MT	4" TTMA flange x 3" male NPT, 2½" overall length, hardcoated
TTF4AL-3EMT	4" TTMA flange x 3" male NPT, 5½" overall length
TTF4AL-3FT	4" TTMA flange x 3" female NPT, 2½" overall length
TTF4AL-4MT	4" TTMA flange x 4" male NPT, 2½" overall length
TTF4ALHC-4MT	4" TTMA flange x 4" male NPT, 2½" overall length, hardcoated
TTF4AL-4EMT	4" TTMA flange x 4" male NPT, 5½" overall length
TTF4AL-4FT	4" TTMA flange x 4" female NPT, 2½" overall length

Flange Gaskets

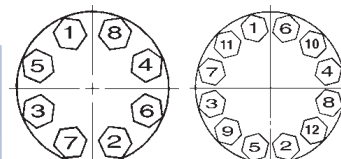
Application:	Creates a leak-tight connection between two bolted together flange faces.
Standards:	TTMA flange gaskets are manufactured to seal with flanges produced to the 3" or 4" TTMA (Tank Truck Manufacturers Association) flange pattern.
Materials:	PTFE, Klinger or Cork/Buna



Part #	Size	Description	OD	ID	Thickness	Bolt Circle
Round TTMA Flange Gaskets						
300GTTFCB	3"	TTMA - Cork/Buna	5-5/8"	3½"	1/8"	4-7/8"
300GTTFTK	3"	PTFE envelope with Klinger filler	5-5/8"	3½"	1/16"	4-7/8"
300GTTFK	3"	Klinger nylon	5-5/8"	3½"	1/8"	4-7/8"
40321TF	3"	TTMA - PTFE with soft fiber core	5-29/32"	3½"	3/32"	4-7/8"
400GTTFCB	4"	TTMA - Cork/Buna	6-5/8"	4-9/16"	1/8"	5-7/8"
400GTTFTK	4"	PTFE envelope with Klinger filler	6-5/8"	4-9/16"	1/16"	5-7/8"
400GTTFK	4"	Klinger nylon	6-5/8"	4-9/16"	1/8"	5-7/8"
40322TF	4"	TTMA - PTFE with soft fiber core	6-7/8"	4-5/8"	3/32"	5-7/8"
Square TTMA Flange Gaskets						
300GDBSQCB	3"	Square TTMA - cork/Buna	4½"	3-3/8"	1/8"	
300GDBSQK	3"	Square TTMA - Klinger nylon	4½"	3-3/8"	1/16"	
300GDBSQE	3"	Square TTMA - white EPDM	4½"	3-3/8"	1/8"	

Round TTMA Flange Dimensions

Nominal Pipe Size	Flange OD	Aluminum Flange Thickness	Diameter of Bolt Circle	Number of Bolts	Diameter of Bolt Holes	Diameter of Bolts Used
3"	5-5/8"	3/8"	4-7/8"	8	7/16"	3/8"
4"	6-5/8"	3/8"	5-7/8"	8	7/16"	3/8"



Swing Check Valves

Bayco High Flow Series

Dry Bulk Products

Application:	Often used on both the blower and trailer, designed to prevent product backflow if a product line should become plugged.
Standards:	Bayco High Flow series swing check valves have 2", 3" or 4" connection choices: female NPT, round TTMA flange or square TTMA flange.
Materials:	Aluminum body and inspection lid, stainless steel hardware, metal-to-metal, EPDM (250°F / 121°C) or silicone seals (400°F / 204°C) are available (seal availability is dependent upon the model, see chart below for more information)
Features & Benefits:	<ul style="list-style-type: none"> • Choice of seals, metal-to metal, Buna or silicone • Choice of connections female NPT, round TTMA flange or square TTMA flange • Flapper return springs are standard • Huck bolted flapper assembly prevents loose parts from contaminating the product. • Inspection lids can be removed to facilitate routine flapper assembly inspections (system must not be in service during inspections or repair). • Complete repairs can easily be carried out on all high flow swing check valves without removing from the tank. • When in use the flapper can swing completely out of the air path, resulting in increased air flow and subsequently increased product flow.



3030SQ-SSP



3031TE



3031VIC



4040RD

Part #	Connection Type	Seal Type	Flapper Return Springs ?	Overall Length
Female NPT				
3020TE	2" female NPT both ends	white EPDM seal	Yes	5-1/8"
3030TE-SSP	3" female NPT both ends	white silicone seal	Yes	7-1/8"
3031TE	3" female NPT both ends	metal-to-metal seal	Yes	7-1/8"
4040TE	4" female NPT both ends	white EPDM seal	Yes	9"
4041TE	4" female NPT both ends	metal-to-metal seal	Yes	9"
4042TE	4" female NPT both ends	white silicone seal	Yes	9"
Square TTMA Flange				
3020SQ	2" square TTMA flange	white EPDM seal	Yes	5-1/8"
3030SQ-SSP	3" square TTMA flange	white silicone seal	Yes	6-7/8"
3031SQ	3" square TTMA flange	metal-to-metal seal	Yes	6-7/8"
Round TTMA Flange				
3030RD-SSP	3" round TTMA flange	white silicone seal	Yes	6-7/8"
3031RD	3" round TTMA flange	metal-to-metal seal	Yes	6-7/8"
4040RD	4" round TTMA flange	white EPDM seal	Yes	9"
4041RD	4" round TTMA flange	metal-to-metal seal	Yes	9"
4042RD	4" round TTMA flange	white silicone seal	Yes	9"
Grooved Pipe				
3030VIC-SSP	3" grooved end both ends	white silicone seal	Yes	8"
3031VIC	3" grooved end both ends	metal-to-metal seal	Yes	8"

- See pages 33, 34 for repair kits and replacement parts
- See page 9 for TTMA flange gaskets

Swing Check Valves

Bayco Classic 3000 Series

Application:	The classic 3000 series of swing check valves are often used on both the blower and trailer.
Standards:	All Bayco 3000 series swing check valves have 3" connection choices: female NPT, round TTMA flange or square TTMA flange.
Materials:	Aluminum body, Bayloy inspection caps and flapper valve assembly. Buna (250°F / 121°C) or silicone seals (400°F / 204°C) are optional.
Features & Benefits:	<ul style="list-style-type: none"> • Choice of seals, metal-to-metal, Buna or silicone • Choice of connections female NPT, round TTMA flange or square TTMA flange • Available with or without flapper return springs • Huck bolted flapper assembly prevents loose parts from contaminating the product. • Inspection lids can be removed to facilitate routine flapper assembly inspections (system must not be in service during inspections or repair). • Limited repairs can be carried out on both threaded and square flanged units without removing from the tank. Round flange units must be removed from the tank to facilitate repairs. For swing check valves that can be completely repaired on the tank see the Bayco High Flow 3030 Series on page 11.



3000TE



3001SQ



3000N

Part #	Connection Type	Seal Type	Flapper Return Springs ?	Overall Length
3000TE	3" female NPT both ends	metal-to-metal seal	No	7-1/8"
3000TESP	3" female NPT both ends	metal-to-metal seal	Yes	7-1/8"
3000TEB	3" female NPT both ends	black Buna seal	No	7-1/8"
3000TEBSP	3" female NPT both ends	black Buna seal	Yes	7-1/8"
3000TES	3" female NPT both ends	red silicone seal	No	7-1/8"
3000TESSP	3" female NPT both ends	red silicone seal	Yes	7-1/8"
3001SQN	3" square TTMA flange	metal-to-metal seal	No	6-7/8"
3001SQSP	3" square TTMA flange	metal-to-metal seal	Yes	6-7/8"
3001SQB	3" square TTMA flange	black Buna seal	No	6-7/8"
3001SQBSP	3" square TTMA flange	black Buna seal	Yes	6-7/8"
3001SQS	3" square TTMA flange	red silicone seal	No	6-7/8"
3001SQSSP	3" square TTMA flange	red silicone seal	Yes	6-7/8"
3000N	3" round TTMA flange	metal-to-metal seal	No	5-5/8"
3000SP	3" round TTMA flange	metal-to-metal seal	Yes	5-5/8"
3000B	3" round TTMA flange	black Buna seal	No	5-5/8"
3000BSP	3" round TTMA flange	black Buna seal	Yes	5-5/8"
3000S	3" round TTMA flange	red silicone seal	No	5-5/8"
3000SSP	3" round TTMA flange	red silicone seal	Yes	5-5/8"

- See pages 31, 32 for repair kits and replacement parts
- See page 9 for TTMA flange gaskets

Pneuclean™ Pneumatic Filtration System

Dry Bulk Products

Application:	Designed to remove microscopic particles generated by blowers during pneumatic conveying of contaminant-sensitive dry bulk products. Contaminants such as iron and hydrocarbons are produced by air blowers and can adversely affect dry products such as plastic pellets and food materials. These filter units are typically mounted on dry bulk tanker trailers, but can also be mounted on the tractor. Units are placed after the blower and before the bulk storage tanker. This in-line pneumatic system is also suitable for industrial applications or wherever microscopic filtration (up to 4 microns) of impurities is required.
Standards:	Standard units employ 4" inlets and outlets, choose from schedule 40 pipe, grooved pipe, TTMA flange or 4" cam and groove adapter connections (3" plumbing can be used with available weld-on 4" x 3" cam and groove adapters). FDA approved filter medium.
Materials:	Aluminum canister and lid, stainless V clamp
Features & Benefits:	<ul style="list-style-type: none"> • Variety of connection types (see chart below for details) • Heavy duty aluminum canister • Overall weight 26 lbs. • Maximum air flow 1000 CFM • Special cartridge-style filter element has a typical life expectancy of approximately 12 months or 2000 hours of service • Noise reduction filter reduces noise by 13.8 db at 600 CFM • FDA medium with 99.99% maximum efficiency at 4 microns • Back pressure: 0.05 PSI • Quick release V clamp for easy inspection and servicing



PC5000



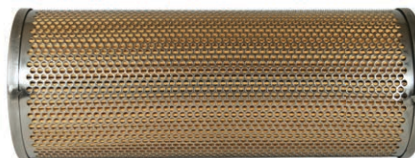
PC5000TTTE

Part #	Description
PC5000	complete Pneuclean™ filtration system with 4" schedule 40 pipe inlet and outlet
PC5000-002	complete Pneuclean™ filtration system with 4" schedule 40 pipe inlet and outlet with Outer Perf Element
PC5000AA	complete Pneuclean™ filtration system with 4" cam and groove adapter inlet and outlet
PC5000VV	complete Pneuclean™ filtration system with 4" grooved pipe inlet and outlet
PC5000TTTE	complete Pneuclean™ filtration system with 4" TTMA flange inlet and 90° 4" male NPT outlet
PC5003	mounting bracket (sold separately, 2 required)

Replacement Parts



PC5001



PC5001-002

Part #	Description
PC5001	replacement Pneuclean™ filter element
PC5004	replacement V-clamp for securing lid to body
PC5005	replacement lid O-ring seal
PC5006	replacement canister bottom gasket
PC5007	replacement lid
PC5001-002	replacement Pneuclean™ filter element with 304 stainless steel screen

Clump Buster

Application:	Designed to be used in-line for Dry Bulk applications where dry material may tend to clump during off-loading.
Standards:	Manufactured with cam and groove end configurations
Materials:	Aluminum body, stainless steel screen and V-band clamp
Features & Benefits:	<ul style="list-style-type: none"> • 4" cam and groove ends • two piece housing design with V-band clamp (DB1000) • stainless screen hole diameter is 7/16" • seals are Buna-N • bell shaped housing provides maximum flow (DB1000) • DB1000-SFI comes with sight glass



DB1000



DB1000-SFI

Part #	Description
DB1000	clump buster
DB1000-SFI	clump buster with sight glass

Cam and Groove In-Line Sight Glasses

Application:	The cam and groove sight glasses are often connected to the dry bulk tanker's product outlet allowing the operator to visually confirm that product is flowing out of the tank.
Standards:	Interchanges with all product produced to commercial item description A-A-59326B.
Materials:	Aluminum, acrylic sight glass, brass cam arms, Buna gaskets
Features & Benefits:	<ul style="list-style-type: none"> • Allows the operator to see product flow • Precision machined to rigid tolerances • Durable stainless steel cam arm pins will not rust or bind, providing strength and safety • Recess holds gasket firmly in place - ensures proper placement

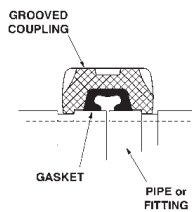
- intended for dry goods only

Part #	Description
Coupler x Adapter	
3544CA	4" cam & groove coupler x 4" cam and groove adapter
3543CA	4" cam & groove coupler x 3" cam and groove adapter
3534CA	3" cam & groove coupler x 4" cam and groove adapter
3533CA	3" cam & groove coupler x 3" cam and groove adapter
Coupler x Coupler	
3544CC	4" cam & groove coupler x 4" cam and groove coupler
3543CC	4" cam & groove coupler x 3" cam and groove coupler
3533CC	3" cam & groove coupler x 3" cam and groove coupler
Adapter x Adapter	
3544AA	4" cam & groove adapter x 4" cam and groove adapter
3534AA	3" cam & groove adapter x 4" cam and groove adapter
3533AA	3" cam & groove adapter x 3" cam and groove adapter



3543CA

Grooved Pipe Connections



Application:	Designed to join two pieces of pipe together. The two pipes are butted to one another each pipe has a groove that runs the circumference of the pipe exterior. The grooved clamp has ridges that lock into the two pipe grooves and a gasket is compressed to the pipes to create a leak-tight seal. Grooved clamps are often used on pipe connections on dry bulk tankers in place of welding offering the ability to adjust, change or replace pipe sections without the need for a permanent joint such as a weld.
Standards:	Manufactured to fit new and existing grooved pipe connections
Materials:	Aluminum or coated ductile iron bodies with steel bolts/nuts, Buna or FKM seals
Features & Benefits:	<ul style="list-style-type: none"> • Rugged cast aluminum or iron construction • Maintenance is easy to perform

Aluminum Bolt Clamps



DBV-WB400

Features:

- Lightweight yet rugged. Unlike steel groove clamps that secure the pipe ends with high clamping force against the tubing/piping walls, the Dixon aluminum bolted clamp takes the full bolt force and locks into the groove of the tube/pipe, preventing distortion of the tube/pipe diameter.
- precision casting and machined dimensions provide an exact fit and great appearance
- lock nuts prevent loosening in applications with vibration
- white Buna seal available for food applications

Size	Seal	Part #	Maximum PSI	Approximate Weight Lbs.	Bolt Torque
2"	Buna	DBV-BN200	400	0.8	50 ft lbs
2"	FKM-B	DBV-VB200	400	0.8	50 ft lbs
2"	Baylast™	DBV-BL200	400	0.8	50 ft lbs
3"	Buna	DBV-BN300	170	1.1	50 ft lbs
3"	FKM-B	DBV-VB300	170	1.1	50 ft lbs
3"	Baylast™	DBV-BL300	170	1.1	50 ft lbs
4"	Buna	DBV-BN400	120	1.5	50 ft lbs
4"	FKM-B	DBV-VB400	120	1.5	50 ft lbs
4"	White Buna	DBV-WB400	120	1.5	50 ft lbs
4"	Baylast™	DBV-BL-400	120	1.5	50 ft lbs

Replacement Clamp Gaskets



G400T

Clamp Size	Part #	Seal	Buna Fuel Compatibility
2"	G200T	Buna (orange stripe)	Gasoline and Diesel, up to E100 & B20 Biofuels
3"	G300T	Buna (orange stripe)	Gasoline and Diesel, up to E100 & B20 Biofuels
4"	G400T	Buna (orange stripe)	Gasoline and Diesel, up to E100 & B20 Biofuels
2"	G200VB	FKM-B (red stripe)	Gasoline and Diesel, up to E100 & B100 Biofuels
3"	G300VB	FKM-B (red stripe)	Gasoline and Diesel, up to E100 & B100 Biofuels
4"	G400VB	FKM-B (red stripe)	Gasoline and Diesel, up to E100 & B100 Biofuels
2"	G200BL	Baylast™ (blue stripe)	Gasoline and Diesel, up to E100 & B100 Biofuels
3"	G300BL	Baylast™ (blue stripe)	Gasoline and Diesel, up to E100 & B100 Biofuels
4"	G400BL	Baylast™ (blue stripe)	Gasoline and Diesel, up to E100 & B100 Biofuels

Biofuel Compatible

Grooved Pipe Connections

Aluminum Quick Connect Clamps

Features:

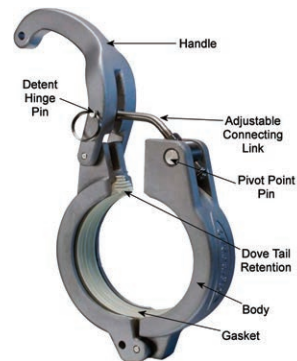
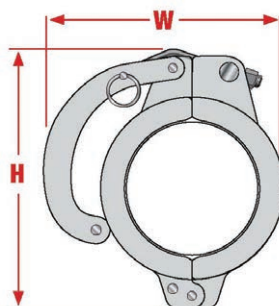
- rugged and compact lightweight design
- white Buna, void free, split gasket allows for easy, fast one person installation
- accepts industry standard groove gaskets also



04901701



04902701



Size	Description	Part #	Maximum PSI	Width	Height
4"	grooved pipe x grooved pipe clamp	04901701	65	7.25"	8.00"
4"	grooved pipe x plain pipe clamp	04902701	65	7.25"	8.00"

Product instruction sheets and technical data, can be viewed on our website at dixonbayco.com, and select the "Resources" Menu

Painted Iron Groove x Groove Bolt Clamps

Features:

- ensures a leak-tight connection
- compatible with Ethanol, ULSD, bio-diesel and gasoline



Size	Description	Part #
2"	painting iron groove x groove clamp with Baylast™ seal	L02BL
3"	painting iron groove x groove clamp with Baylast™ seal	L03BL
4"	painting iron groove x groove clamp with Baylast™ seal	L04BL

Replacement Gaskets

Size	Description	Part #
2"	Baylast™ grooved coupling replacement gasket	G200BL
3"	Baylast™ grooved coupling replacement gasket	G300BL
4"	Baylast™ grooved coupling replacement gasket	G400BL

Butterfly Valves

Dry Bulk Products

Application:	Butterfly valves are commonly used on dry bulk tankers to control the flow of product; designed to be placed between 2 ASME/ANSI 125 or 150 lb. flanges.
Materials:	Aluminum bodies with iron or stainless steel disc, polymer bushings, Buna-N (Nitrile) seals and seats, spring, stem and locking lever pin are stainless steel, aluminum handle and throttling plate.
Features & Benefits:	<ul style="list-style-type: none"> • Rugged cast aluminum • Flange gaskets are not required; the valves elastomer seat also doubles as the flange gasket. • Handles are high strength 713 aluminum, with a retrogressive re-aging process which creates as stronger handle than the cast iron handle which are commonly used in the industry. • Iron or stainless discs are standard for superior wear resistance • FDA approved black or white Buna-N seals, -20°F to 275°F (-29°C to 135°C)

One-Piece Aluminum Body with Iron Disc and Black Buna-N Seals



3-480-1500

Valve Size	Flanges Required	Complete Valve Part # ¹	Aluminum Handle Kit Part #	Iron Handle Kit Part #	Replacement Iron Disc Part #	Replacement Black Buna Seat Disc Part #
2"	125/150# flange	2-400-1500	206-23-5	237-23-10	2-400-422237F	2-400-422500
3"	125/150# flange	3-480-1500	206-23-5	237-23-10	3-400-422237F	3-400-422500
4"	125/150# flange	4-480-1500	206-46-5	237-46-10	4-400-422237U	4-400-422500
4"	TTMA	4A-480-1500	206-46-5	237-46-10	4A-400-422237U	4A-400-422500
5"	125/150# flange	5-480-1500	206-46-5	237-46-10	5-400-422237U	5-400-422500
6"	125/150# flange	6-480-1500	206-46-5	237-46-10	6-400-422237U	6-400-422500
8"	125/150# flange	8-400-1500	206-810	---	8-400-4222370	8-400-422500
10"	125/150# flange	10-400-1500	206-1010	---	10-400-4222370	10-400-422500

¹ Handle kits are sold separately, choose aluminum or iron (2" thru 6" aluminum handles have 5 open positions, 8" and 10" aluminum and all iron handles have 10 open positions)

One-Piece Aluminum Body with Stainless Steel Disc and White Buna-N Seals



3-480-3501

Valve Size	Flanges Required	Complete Valve Part # ¹	Aluminum Handle Kit Part #	Iron Handle Kit Part #	Replacement Stainless Disc Part #	Replacement White Buna Disc Part #
3"	125/150# flange	3-480-3501	206-23-5	237-23-10	3-400-422209F	3-400-422501
4"	125/150# flange	4-480-3501	206-23-5	237-23-10	4-400-422209U	4-400-422501
4"	TTMA	4A-480-3501	206-46-5	237-46-10	4A-400-422209U	4A-400-422501
5"	125/150# flange	5-480-3501	206-46-5	237-46-10	5-400-422209U	5-400-422501
6"	125/150# flange	6-480-3501	206-46-5	237-46-10	6-400-422209U	6-400-422501

¹ Handle kits are sold separately, choose aluminum or iron (aluminum handles have 5 open positions; iron handles have 10 open positions)

Butterfly Valves

Two-Piece Aluminum Body with Stainless Steel Disc and White Buna N Seals



3-380-828501

Features:

- two-piece valves are designed specifically for pneumatic conveying and abrasive applications
- The seat ID matches the ID of Schedule 40 pipe, resulting in smoother product flow
- two-piece split body design simplifies field maintenance by eliminating the need for special tools

Valve Size	Flanges Required	Complete Valve Part # ¹	Aluminum Handle Kit Part #	Iron Handle Kit Part #	Replacement Stainless Disc Part #	Replacement White Buna Seat Part #
3"	125/150# flange	3-380-828501	206-23-5	237-23-10	3-390-209F	3-400-422501
4"	125/150# flange	4-380-828U501	206-46-5	237-46-10	4-390-209U	4-400-422501
5"	125/150# flange	5-380-828U501	206-46-5	237-46-10	5-390-209U	5-400-422501
6"	125/150# flange	6-380-828U501	400-206-65	400-237-610	6-390-209U	6-390-393501

¹ Handle kits are sold separately, choose aluminum or iron (aluminum handles have 5 open positions; iron handles have 10 open positions)

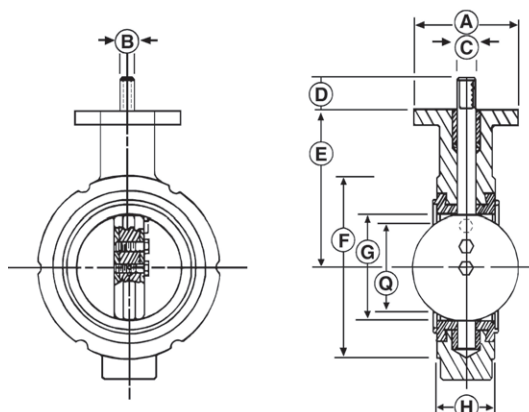
Butterfly Valve Replacement Parts

Part #	Description
2-400-422240	replacement stainless steel valve stem for 2" valve
3-400-422240	replacement stainless steel valve stem for 3" valve
4-400-422240	replacement stainless steel valve stem for 4" valve
5-400-422240	replacement stainless steel valve stem for 5" valve
6-400-422240	replacement stainless steel valve stem for 6" valve
2-3-400-99-BPKIT	bushing and packing kit for 2" and 3" valves
4-6-400-99-BPKIT	bushing and packing kit for 4", 5" and 6" valves (not for 6" 2-piece valve 6-390-828U501)
6-99-400BPKIT	bushing and packing kit for 6" (6-390-828U501)
2-3-213	stainless screw sets for 2" and 3" valves
4-5-6-213	stainless screw sets for 4", 5" and 6" valves

Butterfly Valve Dimensions

Size	A	B	C	D	E	F	G	H	Q	lbs.
2"	4.000	0.375	0.563	1.250	3.938	4.125	2.125	1.625	1.688	3
3"	4.000	0.375	0.563	1.250	4.875	5.375	3.125	1.750	2.875	5
4"	4.000	0.438	0.625	1.250	6.000	6.875	4.125	2.000	3.875	8
5"	4.000	0.438	0.625	1.250	6.000	7.625	5.188	2.125	5.000	9
6"	4.000	0.438	0.625	1.250	6.625	8.750	6.125	2.125	6.000	9
8"	6.000	0.500	0.750	1.250	8.313	11.000	8.125	2.500	8.000	--
10"	6.000	0.625	0.875	1.250	9.125	13.375	10.125	2.500	10.000	--

- All dimensions are given in inches
- "Q" dimension is the minimum allowable inside diameter of the pipe or mating flange



Hopper Tees

Application:	Straight and bottom drop tees are used at the base of dry bulk tank hoppers. With straight tees the dry bulk product is unloaded utilizing a blower generated pneumatic flow through the straight tee and air pressure on top of the hopper. The bottom drop tee can be utilized just like the straight tee by using pneumatic conveyance or can be used for gravity dropping of the dry goods by opening the drop door on the base of the tee.
Standards:	Dimensionally interchangeable with industry standard offerings. Flanged to the tank hopper and two 4" grooved pipe ends
Materials:	Cast aluminum construction, urethane lined is an option
Features & Benefits:	<ul style="list-style-type: none"> • Rugged cast aluminum • Straight tees are cast as one-piece • High unloading rates and reduced flow turbulence • Bottom drop tees have easy to use swing out bottom drop door



DB500TA



DB500LTA



DB600TA



DB600LTA



DB605LTA

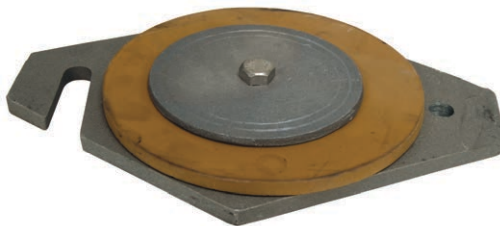


4x4BD TEE

Part #	Connection Type	Urethane Lined	Overall Height	Overall Length
Straight Tees				
4X4-S-TEE	4" hopper flange and 2 - 4" grooved connections	No	6.000"	13.875"
DBA500TA	5" hopper flange and 2 - 4" grooved connections	No	6.438"	13.875"
DBA500LTA	5" hopper flange and 2 - 4" grooved connections - low profile	No	6.187"	13.875"
5X4-VRST-TEE-K	5" hopper flange and 2 - 4" grooved connections - low profile with retention flange	No	5.375"	13.750"
DB600TA	6" hopper flange and 2 - 4" grooved connections	No	7.000"	13.875"
4X4-S-TEE-E	4" hopper flange and 2 - 4" grooved connections	Yes	6.000"	13.875"
5X4-S-TEE-E	5" hopper flange and 2 - 4" grooved connections	Yes	6.438"	13.875"
5X4-VRST-TEE-E	5" hopper flange and 2 - 4" grooved connections - low profile	Yes	6.187"	13.875"
6X4-S-TEE-E	6" hopper flange and 2 - 4" grooved connections	Yes	7.000"	13.875"
DB600LTA	6" hopper flange and 2 - 4" grooved connections - low profile	No	5.063"	13.875"
DB605LTA	6" hopper flange and 2 - 5" grooved connections - low profile	No	6.094"	13.875"
Bottom Drop Tees				
4X4-BD-TEE	4" hopper flange and 2 - 4" grooved connections	No	8.250"	13.875"
5X4-BD-TEE	5" hopper flange and 2 - 4" grooved connections	No	7.500"	13.875"
5X4-VRBD-TEE	5" hopper flange and 2 - 4" grooved connections - low profile	No	7.250"	13.875"
5X4-VRBD-TEE-K	5" hopper flange and 2 - 4" grooved connections - low profile with retention flange	No	6.200"	13.750"
6X4-BD-TEE	6" hopper flange and 2 - 4" grooved connections	No	7.250"	13.875"
4X4-BD-TEE-E	4" hopper flange and 2 - 4" grooved connections	Yes	8.250"	13.875"
5X4-BD-TEE-E	5" hopper flange and 2 - 4" grooved connections	Yes	7.500"	13.875"
5X4-VRBD-TEE-E	5" hopper flange and 2 - 4" grooved connections - low profile	Yes	7.250"	13.875"
6X4-BD-TEE-E	6" hopper flange and 2 - 4" grooved connections	Yes	7.250"	13.875"

Hopper Tees

Bottom Tee Replacement Parts



4x4-BDDOORASM

Part #	Description
4X4BD DOOR	4" bottom drop door only
5/6BD DOOR	5" and 6" bottom drop door only
8X4BD DOOR	8" bottom drop door only
4X4-BD GASKET	4" bottom drop door gasket only
5X4-BD GASKET	5" bottom drop door gasket only
6X4-BD GASKET	6" bottom drop door gasket only
8X4-BD GASKET	8" bottom drop door gasket only
4X4BD DOORASBLY	4" bottom drop door assembly with gasket
5X4BD DOORASBLY	5" bottom drop door assembly with gasket
6X4BD DOORASBLY	6" bottom drop door assembly with gasket
8X4BD DOORASBLY	8" bottom drop door assembly with gasket
5X4 WING	5" weld on replacement ring
6X4 WING	6" weld on replacement ring
8X4 WING	8" weld on replacement ring
3/8 T-BOLT	4" bottom drop door T-bolt
3/8 INSERT	4" bottom drop door threaded insert for T-bolt
BD BOLTS	5", 6" and 8" bottom drop door bolt
BD WINGNUT	5", 6" and 8" bottom drop door wing nut
GASKET RETAINER	gasket retainer - all sizes
3/8 RETAINERBOLT	3/8" gasket retainer bolt and lock nut - all sizes
5-RF	retention flange for low profile tees

Disk Fluidizer

Application:	Designed to provide the optimum amount of air volume needed for efficient pneumatic unloading of bulk trailers, allowing more airflow, less back pressure and higher unloading rates.
Features & Benefits:	<ul style="list-style-type: none"> • Seals completely to hopper or wear plate to stop the back flow of product into the aeration lines, even when flood loading. • Durable, food grade silicone resists hardening, cracking or tearing • Robust design does not have snap retention legs that can break off or flimsy disks that crack and wear prematurely. • Fluidizer component parts can withstand operating temperatures up to 350°F

Commonly Used Fluidizer Kits

Part #	Description
Typical kits for aluminum trailers. If used to haul abrasive products like sand or cement use hopper savers to protect from wear on the aluminum hopper.	
111111	1-port assembly, includes blue silicone disk, grey stem hopper saver, blue silicone manifold gasket, 1-port grey manifold, tee handle
111131	3-port assembly, includes blue silicone disk, grey stem hopper saver, blue silicone manifold gasket, 3-port grey manifold, tee handle
These are typical kits used in steel trailers. (Do not include hopper savers)	
113111	1-port assembly, includes blue silicone disk, grey stem, blue silicone manifold gasket, 1-port grey manifold, tee handle
113131	3-port assembly, includes blue silicone disk, grey stem, blue silicone manifold gasket, 3-port grey manifold, tee handle
These are standard kits used in Heil trailers	
111141	1-port assembly, includes blue silicone disk, grey stem hopper saver, blue silicone manifold gasket, 1-port clear manifold, tee handle
111161	3-port assembly, includes blue silicone disk, grey stem hopper saver, blue silicone manifold gasket, 3-port clear manifold, tee handle

Fluidizer Components



Part #	Description
4124	blue silicone fluidizer disk (food grade)
4134	white silicone fluidizer disk (food grade)
4125	grey stem with brass insert
4135	natural stem with stainless steel insert
4155	aluminum stem
4157	carbon steel stem
4126B	1½" stain. steel hopper saver, white silicone backing
4127	blue silicone manifold gasket (food grade)
4137	white silicone manifold gasket (food grade)
5050	20" stainless steel, 3 disk fluidizer plate (16" ID)
5052	20" carbon steel, 3 disk fluidizer plate (16" ID)
5012	20" neoprene gasket
4121	manifold, 1 port grey
4122	manifold, 2 port grey
4123	manifold, 3 port grey
4621	manifold, 1 port clear
4622	manifold, 2 port clear
4623	manifold, 3 port clear
4129	tee handle assembly - stainless steel
4130	raised tee handle assembly
4139	hex bolt assembly - stainless steel
4149	internal hex bolt assembly - stainless steel
4159	bolt assembly T.I.R. stainless steel
4111	1-3/8" hopper plug with gasket
4167	1½" hopper plug with gasket

Tube Doors

Hose Tube Doors

Application:	When not in use fuel delivery hoses are often stored in tubes that run the length of the tanker. A welded cap on one end and a hinged tube door welded on the other end keep the hoses in the storage tubes.
Standards:	Manufactured to weld to 6", 7" or 8" hose tubes
Materials:	Aluminum body, Buna seals, stainless steel door closure spring and hardware, nylon bushings
Features & Benefits:	<ul style="list-style-type: none"> • Pad-lockable • Keeps fuel delivery hoses neatly and safely stored in the designated storage tubes • Protects expensive delivery hoses and fittings from road dirt, salt and other environmental factors



TDF6



TDF7



TDF8

Part #	Description
TDF6	6" hose tube door
TDF7	7" hose tube door
TDF8	8" hose tube door

TTMA Reducing Flange Adapters

Application:	Used in applications where 3" and 4" TTMA flanges need to be connected.
Standards:	Flange connections are manufactured to connect with the TTMA (Tank Truck Manufacturers Association) flange pattern, see page 9 flange dimensions.
Materials:	Aluminum
Features & Benefits:	<ul style="list-style-type: none"> • Both sides machined to create smooth gasket sealing surfaces • 3/4" thick • 4" TTMA hole pattern sized for (8) 3/8" socket head cap screws • 3" TTMA hole pattern is blind threaded with 3/8"-16 thread to a depth of 9/16". Supplied with (8) 3/8-16 x 1" socket head cap screws. • Easily connects with any item that has a 3" or 4" TTMA flange



4443

Part #	Description
4443	4" TTMA x 3" TTMA reducer flange

See page 9 for TTMA flange gaskets.

TTMA Weldable Flanges

Application:	Used in applications where a device such as a valve or sight flow with a TTMA flange needs to be connected to a pipe; the TTMA weldable flange is welded to the pipe and the desired device is bolted on.
Standards:	Flange connections are manufactured to connect with the TTMA (Tank Truck Manufacturers Association) flange pattern, see page 9 for flange dimensions.
Materials:	Aluminum
Features & Benefits:	<ul style="list-style-type: none"> • Butt weld version: the ID on side A is beveled to aid with butt welding. The flange face of side B is machined to create an even surface for the gasket seal. • Socket weld version: the ID on side A has a machined socket to allow the pipe to slide in to be socket welded. The flange face of side B is machined to create an even surface for the gasket seal. • Flanges are 3/8" thick • Easily connect with any item that has a 3" or 4" TTMA flange



TTF3AL



TTF400SP

Part #	Description
TTF3AL	3" TTMA butt weld on flange
TTF4AL	4" TTMA butt weld on flange
TTF400SP	4" TTMA socket weld on flange

See page 9 for TTMA flange gaskets.

Air Relief Valve Testing Equipment

Application:	<p>In order to properly test air relief valves, enough air volume (SCFM) needs to be available directly to the air relief valve, or early blow offs will be falsely observed. The air relief starts to open slightly before the set pressure, and if there is not enough air volume to fully open the valve the tester may mistakenly take this to be an early blow off.</p> <p>Dixon developed two pieces of equipment designed to provide enough air volume to properly test the valves:</p> <ul style="list-style-type: none"> • DB9000 - with its own 20 gallon air tank which can be charged from most air compressors • DB9001 - mounted directly to a blower
Standards:	ASME approved pressure vessel (DB9000)
Materials:	Mainly steel construction
Features & Benefits:	<ul style="list-style-type: none"> • Allows fleets to properly and safely test air relief valves

Stationary Air Relief Tester

- Use shop air supply to test Dixon Bayco air relief valves
- ASME approved 20 gallon tank with safety pop off
- High flow pressure regulator
- Provided with a test platform to safely hold the air relief valve in the test stand allowing for the safe disassembly and reassembly of valves for internal inspection, cleaning and repair.

Part #
DB9000



DB9000

TTMA Flange x Cam & Groove Couplings

Dry Bulk Products

Application:	Used to connect dry bulk product hoses; the TTMA flange x cam and groove allows product hoses to be connected directly to the dry bulk tanker piping system.
Standards:	Interchanges with all product produced to commercial Item description A-A-59326B. Flange connections are manufactured to connect with the TTMA (Tank Truck Manufacturers Association) flange pattern, see page 9 for flange dimensions.
Materials:	Aluminum, Buna cam and groove gaskets
Features & Benefits:	<ul style="list-style-type: none"> • Precision machined to rigid tolerances • Durable stainless steel cam arm pins will not rust or bind, for greater strength and safety • Recess holds gasket firmly in place - ensures proper placement



300-ALT-AL



300-DLT-AL



40022ALTAL



40022DLTAL

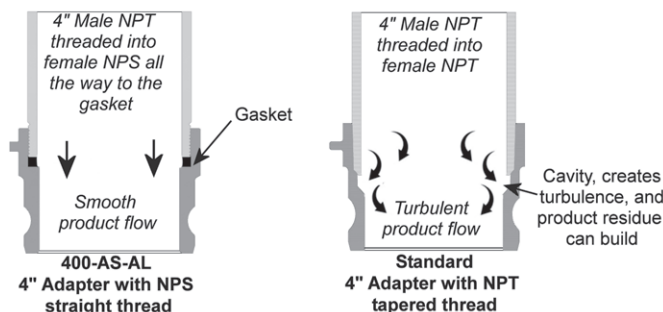
Part #	Description
300-ALT-AL¹	3" TTMA flange x 3" cam and groove adapter (straight)
3040ALT-AL	3" TTMA flange x 4" cam and groove adapter (straight)
400-ALT-AL¹	4" TTMA flange x 4" cam and groove adapter (straight)
40022ALTAL	4" TTMA flange x 4" cam and groove adapter (22½°)
600-ALT-AL	6" TTMA flange x 6" cam and groove adapter (straight)
300-DLT-AL	3" TTMA flange x 3" cam and groove coupler (straight)
3040DLT-AL	3" TTMA flange x 4" cam and groove coupler (straight)
400-DLT-AL	4" TTMA flange x 4" cam and groove coupler (straight)
40022DLTAL	4" TTMA flange x 4" cam and groove coupler (22½°)
600-DLT-AL	6" TTMA flange x 6" cam and groove coupler (straight)

¹ 300-ALT-AL and 400-ALT-AL are also available in 316 stainless steel

• See page 9 for TTMA flange gaskets.

Cam and Groove with Straight Thread (NPSM)

Application:	Used to connect dry bulk product hoses. Standard threaded cam and groove fittings have a tapered thread, which when threaded to another tapered thread, leaves exposed thread within the product flow path. The cavity left by the exposed thread not only causes product turbulence, but it also is a place where product can build up. When the Dixon cam and groove with female straight threads is threaded onto a male tapered thread (NPT), the male tapered thread threads all the way to the bottom of the thread cavity, creating a smooth product path. This reduces product turbulence and build-up.
Standards:	Interchanges with all product produced to commercial Item description A-A-59326B. Threads are machined to the NPSM standard.
Materials:	Aluminum, cork/buna adapter gasket, buna coupler gasket
Features & Benefits:	<ul style="list-style-type: none"> • No exposed threads within the product flow, reduces product turbulence and product build up. • Precision machined to rigid tolerances • Durable stainless steel cam arm pins will not rust or bind, for greater strength and safety • Recess holds coupler gasket firmly in place - ensures proper placement

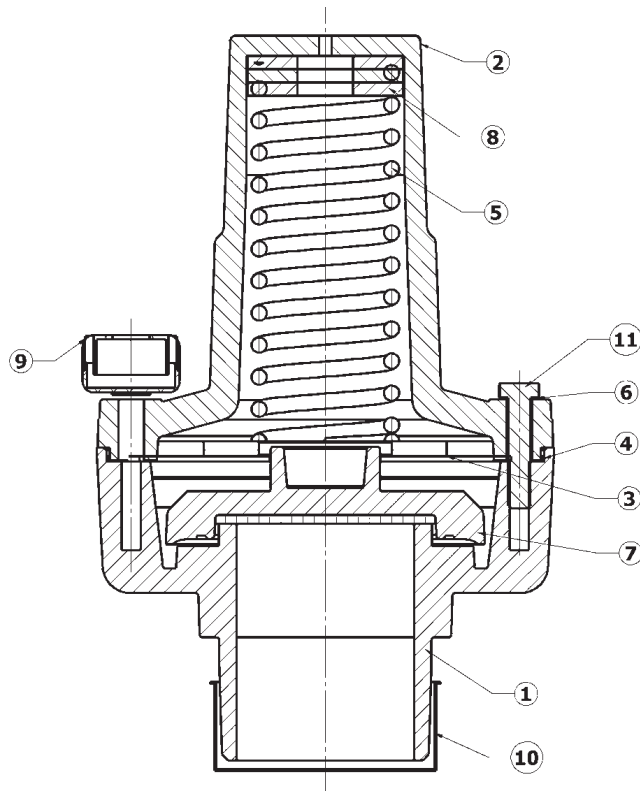


Part #	Description
400-AS-AL	4" cam and groove adapter with female NPSM (straight thread)
400GAGFI	replacement cork/buna thread gasket for 400-AS-AL
ADS400	4" cam and groove coupler with female NPSM (straight thread)
400-G-BU¹	replacement buna coupler gasket for ADS400

¹ Other material coupler gaskets are available, please contact Dixon.
 • Please contact Dixon for other materials and configurations.

Products for Blowers

2182 Blower 2" Air Relief Valves



Bill of Materials

Item #	Description	Qty
1	vent cowl	1
2	top body	1
3	valve seat	1
4	diaphragm	1
5	spring	1
6	lock washer	4
7	valve plate	1
8	spacer	---
9	cup seal	1
10	cap	1
11	body bolt	4

• Repair kits are not available. 2182 blower relief valves must be returned to Dixon for rebuilding.



Disassembly, tampering or modifications will void the product warranty and could result in personal injury or death and extensive property damage.

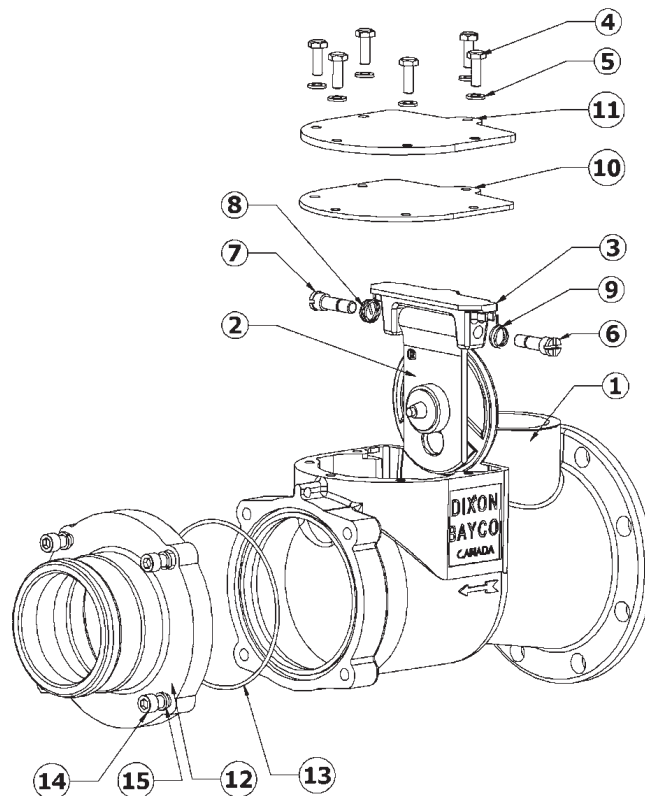
Dry Bulk
Replacement Parts

Products for Blowers

High Flow Blower Swing Check Manifold Valves 3090 Series TTMA Flange x Adapter

Bill of Materials

Item #	Description	Part #	Qty
1	swing check manifold body	---	1
2A	valve flapper assembly silicone (3090M, 3090MA, 3090MB and 3090F)	use kit 3090RK2	1
2B	valve flapper assembly metal seal (3091MA)	use kit 3091RK2	1
3	flapper valve yoke	341595	1
4	bolt	use kit 3030HK	6
5	lock washer	use kit 3030HK	6
6	left hand shaft	390799	1
7	right hand shaft	390798	1
8	right hand spring	use kit 3030RK3	1
9	left hand spring	use kit 3030RK3	1
10	cover gasket silicone	112257	1
11	cover	341611	1
12A	3" adapter outlet (for 3090MA, 3090MAS and 3091MA)	6000-16	1
12B	4" adapter outlet (for 3090MB, and 3090MBS)	6000-17	1
12C	4" FNPT outlet (for 3090F)	6000-20	1
13	adapter outlet O-ring	3090RK1	1
14	adapter outlet hex bolt	use kit 6000NPHK	4
15	adapter outlet lock washer	use kit 6000NPHK	4



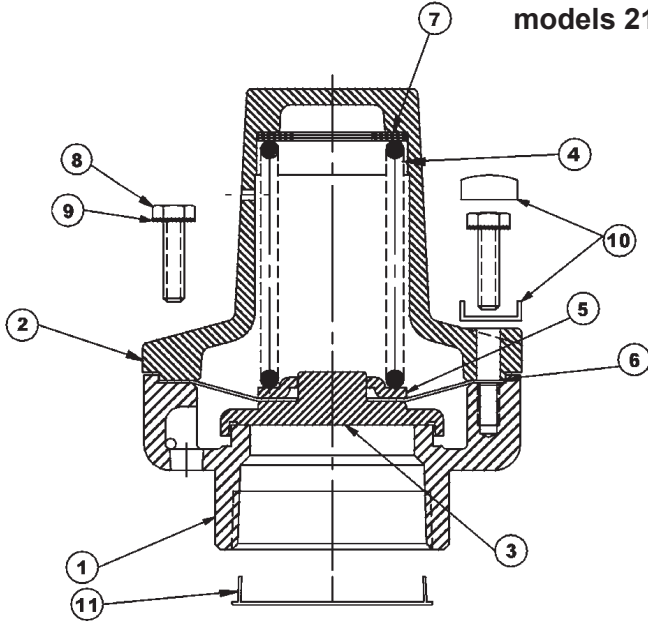
Repair Kits

Part #	Description	Includes Item #
3090RK1	adapter outlet O-ring	13
3091RK2	replacement metal seal flapper kit, flapper assembly, yoke, springs, shafts, cover gasket (for 3091MA)	2B, 3, 4, 5, 6, 7, 8, 9, 10
3090RK2	complete rebuild kit, silicone flapper assembly, yoke, springs, shafts, cover gasket, bolts and lock washers (for 3090M, 3090MA, 3090MB and 3090F)	2A, 3, 4, 5, 6, 7, 8, 9, 10
3091RK1	complete rebuild kit, metal seat flapper assembly, yoke, springs, shafts, cover gasket, bolts and lock washers (for 3091MA)	2B, 3, 4, 5, 6, 7, 8, 9, 10
3030HK	replacement cover bolts and lock washers	4, 5
3030RK3	replacement left and right springs	8, 9
3030SK	optional: anti-tamper security kit for swing check lid, 2 security bolts and wire seal	not illustrated
6000NPHK	outlet bolts and lock washers	14, 15

Replacement Parts
Dry Bulk

Products for Blowers

2180 Series 2" Air Relief Valves models 2180 and A2180



Bill of Materials

Item #	Description	Qty
1	vent cowl	1
2	top body	1
3	valve	1
4	spring	1
5	valve seat	1
6	diaphragm	1
7	spacers	---
8	body bolt	4
9	body bolt washer	4
10	cup seal	1
11	plug	1

- Only 15 PSI and 18 PSI repair kits are available (below), all valves of other pressure settings must be returned to Dixon for rebuilding.

The detailed instructions enclosed with each repair kit must be followed. Failure to comply with these instructions including disassembly, tampering or modifications using processes and parts not described in these instructions or supplied with this rebuild kit will void the product warranty and could result in personal injury or death and extensive property damage.

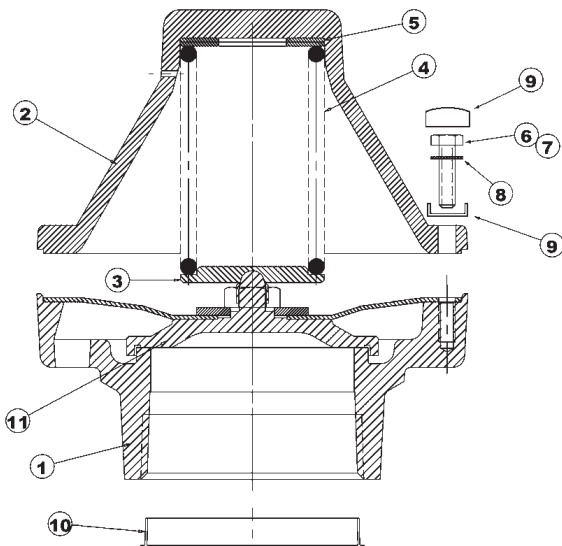


Repair Kits

Part #	Description	Includes Item #
2180RK-15	2180/15 repair kit, 15 PSI spring (+2/-0 PSI tolerance), spring seat, diaphragm, valve plate, bolts, lockwashers, tamper proof seal and valve label	3, 4, 5, 6, 8, 9, 10
2180RK-15A	A2180/15 repair kit, 15 PSI spring (+1/-1 PSI tolerance), spring seat, diaphragm, valve plate, bolts, lockwashers, tamper proof seal and valve label	3, 4, 5, 6, 8, 9, 10
2180RK-18	2180/18 repair kit, 18 PSI spring (+2/-0 PSI tolerance), spring seat, diaphragm, valve plate, bolts, lockwashers, tamper proof seal and valve label	3, 4, 5, 6, 8, 9, 10
2180RK-18A	A2180/18 repair kit, 18 PSI spring (+1/-1 PSI tolerance), spring seat, diaphragm, valve plate, bolts, lockwashers, tamper proof seal and valve label	3, 4, 5, 6, 8, 9, 10

Repair kits fit the 2180 series (non adjustable) relief valves with female NPT, grooved and cam and groove adapter ends (not for use in the adjustable 2180 series).

3180 Series 3" Air Relief Valves



Bill of Materials

Item #	Description	Qty
1	bottom cowl	1
2	cover	1
3	spring seat	1
4	spring	1
5	set washer	1
6	hex screw	2
7	drilled screw	2
8	lock washer	4
9	cup seal	1
10	plug	1
11	valve sub-assembly	1

- Repair kits are not available. All 3180 and A3180 relief valves must be returned to Dixon for rebuilding.
- Disassembly, tampering or modifications will void the product warranty and could result in personal injury or death and extensive property damage.

Dry Bulk Replacement Parts

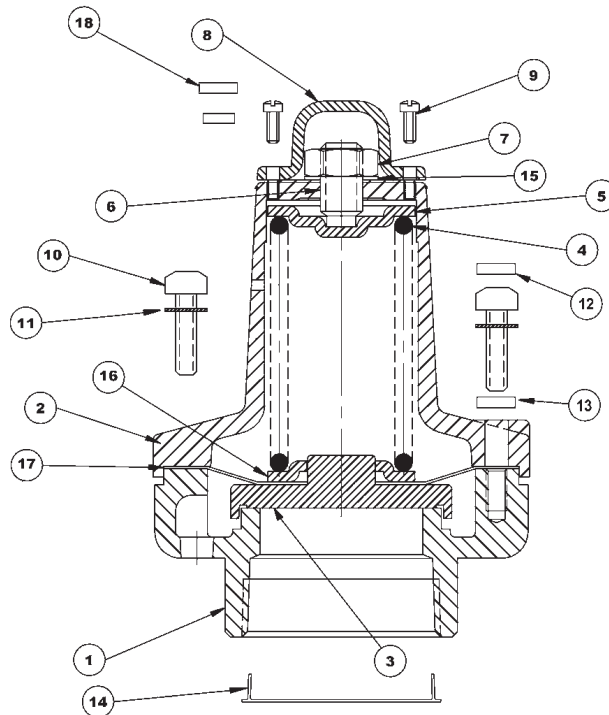
Products for Blowers

2" and 3" Adjustable Air Relief Valves models A2180ADJ and A3180ADJ

Bill of Materials

Item #	Description	Qty
1	vent cowl	1
2	top body	1
3	valve	1
4	spring	1
5	spring plate	1
6	adjustable screw	1
7	lock nut	1
8	adjustment cap	1
9	cap screw	2
10	body screw	4
11	body screw lock washer	4
12	cup seal top	1
13	cup seal bottom	1
14	plug	1
15	lock washer	1
16	spring seat	1
17	diaphragm	1
18	cap screw cup seal	1

- Repair kits are not available. All adjustable relief valves must be returned to Dixon for rebuilding.
- Disassembly, tampering or modifications will void the product warranty and could result in personal injury or death and extensive property damage.

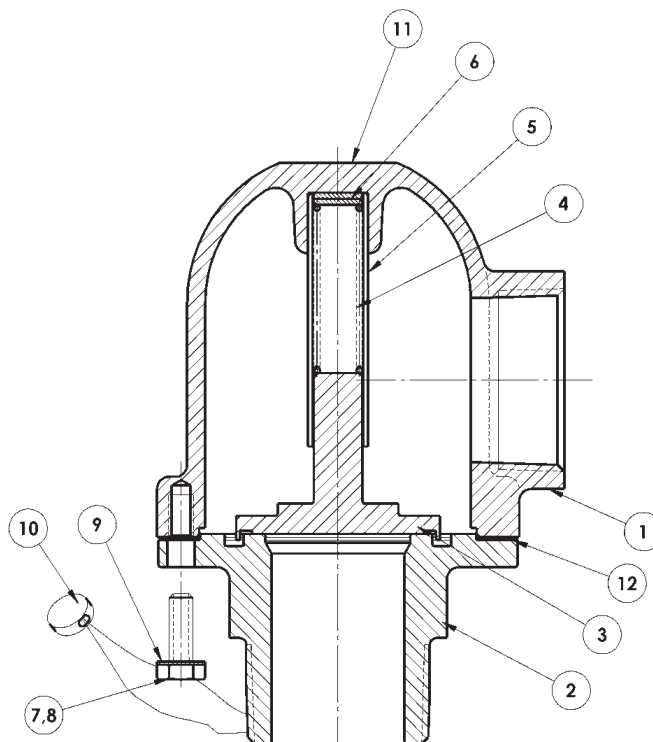


1120 Series 1½" Vacuum Relief Valves

Bill of Materials

Item #	Description	Qty
1	cover	1
2	bottom	1
3	valve	1
4	spring	1
5	stem guide	1
6	spacer	2
7	drilled screw	2
8	screw	2
9	lock washer	4
10	cup seal	1
11	label	1
12	gasket	1

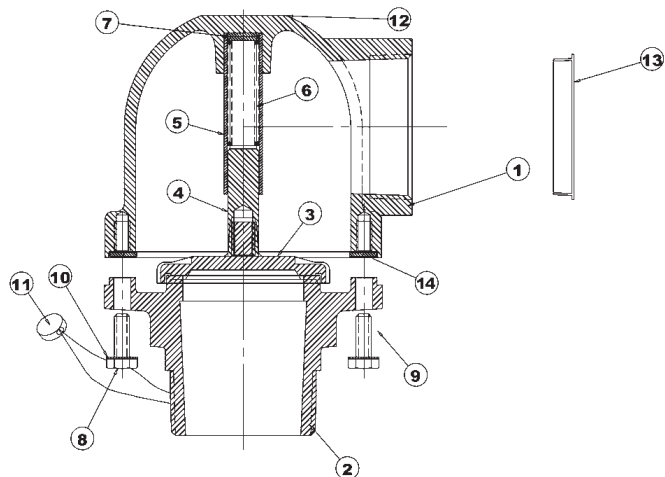
- Repair kits are not available. All 1120 relief valves must be returned to Dixon for rebuilding.
- Disassembly, tampering or modifications will void the product warranty and could result in personal injury or death and extensive property damage.



Dry Bulk Replacement Parts

Trailer/Tank Mounted Air Relief Valves

2120 Series 2" Vacuum Relief Valves



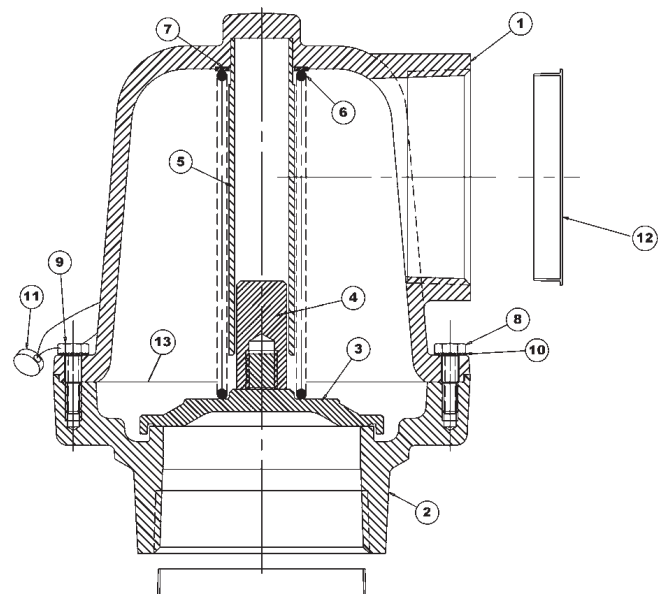
Bill of Materials

Item #	Description	Qty
1	cover	1
2	bottom	1
3	valve	1
4	valve stem	1
5	valve guide	1
6	spring	1
7	set washer	2
8	drilled screw	2
9	screw	2
10	lock washer	4
11	cup seal	1
12	label	1
13	thread plug	1
14	gasket	1

- Repair kits are not available. All 2120 relief valves must be returned to Dixon for rebuilding.
- Disassembly, tampering or modifications will void the product warranty and could result in personal injury or death and extensive property damage.



3120 Series 3" Vacuum Relief Valves



Bill of Materials

Item #	Description	Qty
1	top cover	1
2	bottom body	1
3	valve	1
4	valve stem	1
5	stem guide	1
6	spring	1
7	set washer	3
8	screw	4
9	drilled screw	2
10	lock washer	6
11	cup seal	1
12	thread plug	2
13	gasket	1

- Repair kits are not available. All 3120 relief valves must be returned to Dixon for rebuilding.
- Disassembly, tampering or modifications will void the product warranty and could result in personal injury or death and extensive property damage.



Dry Bulk Replacement Parts

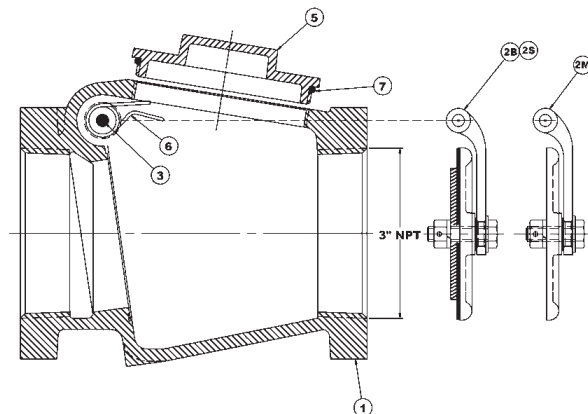
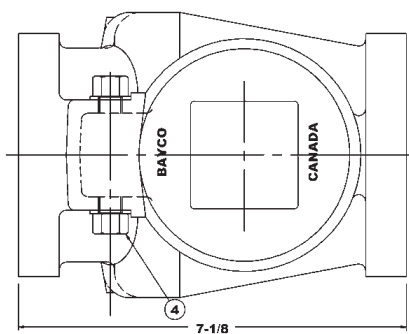
Cam and Groove In-Line Sight Glass

Replacement Parts

Part #	Description	3544CA 3543CA 3534CA 3533CA 3544CC 3543CC 3533CC 3544AA 3534AA 3533AA										
6000-24	3" adapter end	N/A	1	N/A	1	N/A	N/A	N/A	N/A	N/A	N/A	1
341351	3" adapter end with threaded bolt holes	N/A	N/A	N/A	N/A	N/A	N/A	N/A	N/A	N/A	1	1
6000-18	4" adapter end	1	N/A	1	N/A	N/A	N/A	N/A	2	1	N/A	
6000-23	3" coupler end	N/A	N/A	1	1	N/A	1	2	N/A	N/A	N/A	
6000-19	4" coupler end	1	1	N/A	N/A	2	1	N/A	N/A	N/A	N/A	
6400SGK	replacement sight glass kit (2 Buna O-rings and acrylic sight glass)	1	1	1	1	1	1	1	1	1	1	1
6544CA-1	sight glass spacers	4	4	4	4	4	4	4	4	4	4	4
AS156	Buna O-ring for sight glass	2	2	2	2	2	2	2	2	2	2	2
SC5-16-18X2.5P	bolts 5/16" x 2.50"	N/A	N/A	N/A	N/A	N/A	N/A	N/A	4	4	4	
SC5-16-18X2.75P	bolts 5/16" x 2.75"	4	4	4	4	4	4	4	N/A	N/A	N/A	
110978	hex nut 5/16"	4	4	4	4	4	4	4	N/A	N/A	N/A	
111430	helicoil nut 5/16"	N/A	N/A	N/A	N/A	N/A	N/A	N/A	4	N/A	N/A	
110977	lock washer (for nut end of bolt)	4	4	4	4	4	4	4	N/A	N/A	N/A	

Swing Check Valves

Bayco Classic 3000 Series 3" Swing Check Valves 3000 Threaded and 3001 Square Flange Units



Bill of Materials

Item #	Description	Part #	Qty
1	swing check body	---	1
2M	valve flapper assembly with metal seal	use kit 300-SPK	1
2B	valve flapper assembly with Buna seal	use kit 300-BSPK	1
2S	valve flapper assembly with silicone seal	use kit 300-SSPK	1
3	shaft	3000-4	1
4	shaft nut	3000-5	2
5	clean out cap	363000-10	1
6	spring (for units with spring return flapper)	SPRG/L4603	1
7	clean out cap O-ring seal	O-RINGAS238	1

Repair Kits

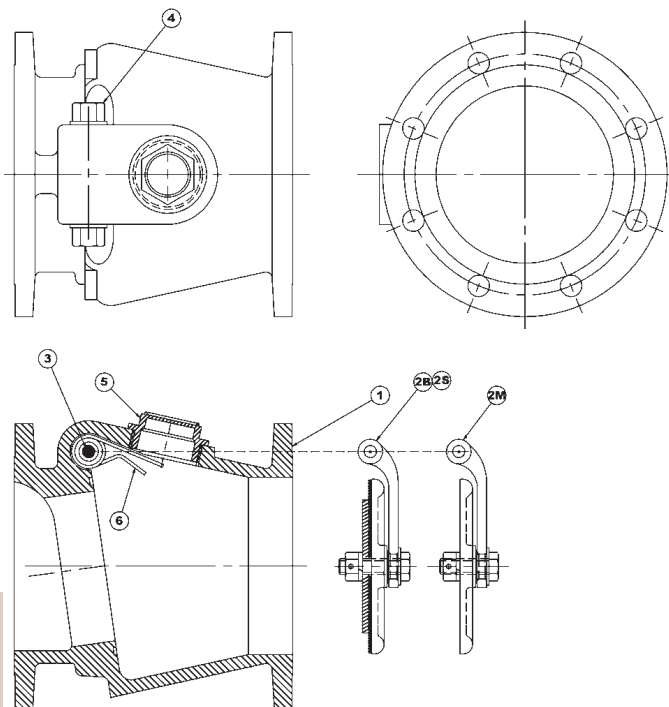
Part #	Description	Includes Item #
300-SSPK	silicone seal flapper assembly, shaft, nuts, flapper spring and clean out cap O-ring seal	2S, 3, 4, 6, 7
300-SK	silicone seal flapper assembly, shaft, nuts and clean out cap O-ring seal	2S, 3, 4, 7
300-BSPK	Buna seal flapper assembly, shaft, nuts, flapper spring and clean out cap O-ring seal	2B, 3, 4, 6, 7
300-BK	Buna seal flapper assembly, shaft, nuts and clean out cap O-ring seal	2B, 3, 4, 7
300-SPK	metal seal flapper assembly, shaft, nuts, flapper spring and clean out cap O-ring seal	2M, 3, 4, 6, 7

Replacement Parts

Dry Bulk

Swing Check Valves

Bayco Classic 3000 Series 3" Swing Check Valves 3000 Round Flange Units



Bill of Materials

Item #	Description	Part #	Qty
1	swing check body	---	1
2M	valve flapper assembly with metal seal	use kit 300-SPK	1
2B	valve flapper assembly with Buna seal	use kit 300-BSPK	1
2S	valve flapper assembly with silicone seal	use kit 300-SSPK	1
3	shaft	3000-4	1
4	shaft nut	3000-5	2
5	clean out cap	3000CAP	1
6	spring (for units with spring return flapper)	SPRG/L4603	1

Repair Kits

Part #	Description	Includes Item #
300-SSPK	silicone seal flapper assembly, shaft, nuts, flapper spring and clean out cap O-ring seal	2S, 3, 4, 6
300-SK	silicone seal flapper assembly, shaft, nuts and clean out cap O-ring seal	2S, 3, 4
300-BSPK	Buna seal flapper assembly, shaft, nuts, flapper spring and clean out cap O-ring seal	2B, 3, 4, 6
300-BK	Buna seal flapper assembly, shaft, nuts and clean out cap O-ring seal	2B, 3, 4
300-SPK	metal seal flapper assembly, shaft, nuts, flapper spring and clean out cap O-ring seal	2M, 3, 4, 6
300-K	metal seal flapper assembly, shaft, nuts and clean out cap O-ring seal	2M, 3, 4

Dry Bulk Replacement Parts

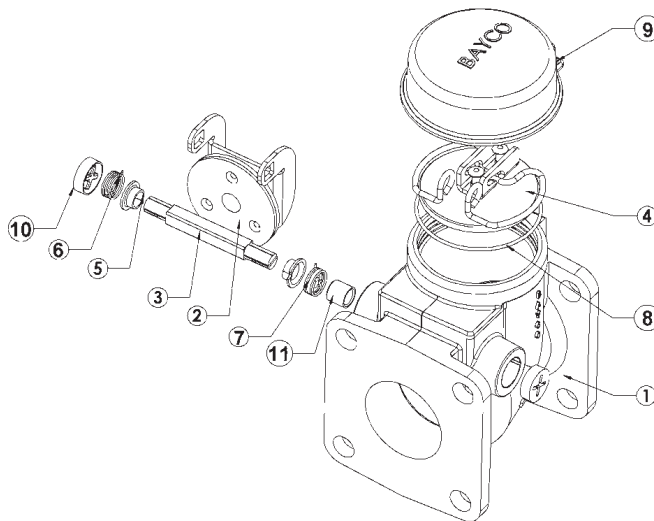
Swing Check Valves

Bayco High Flow 3020 Series 2" Swing Check Valves

Bill of Materials

Item #	Description	Part #	Qty
1	swing check body	---	1
2	valve flapper assembly, white EPDM	use kit 3020FA	1
3	shaft	390777	1
4	cover plate & retaining ring	use kit 3020CS	1
5	shaft bearing	111321	2
6	right spring	111324	1
7	left spring	111325	1
8	cover O-ring	111326	1
9	cap	3020C	1
10	threaded shaft plug	111443	2
11	shaft bushing	390784	2
**	flange close clearance nuts (2 provided with 3020SQ, due to close clearance between flange and body)	111485	2

** not illustrated



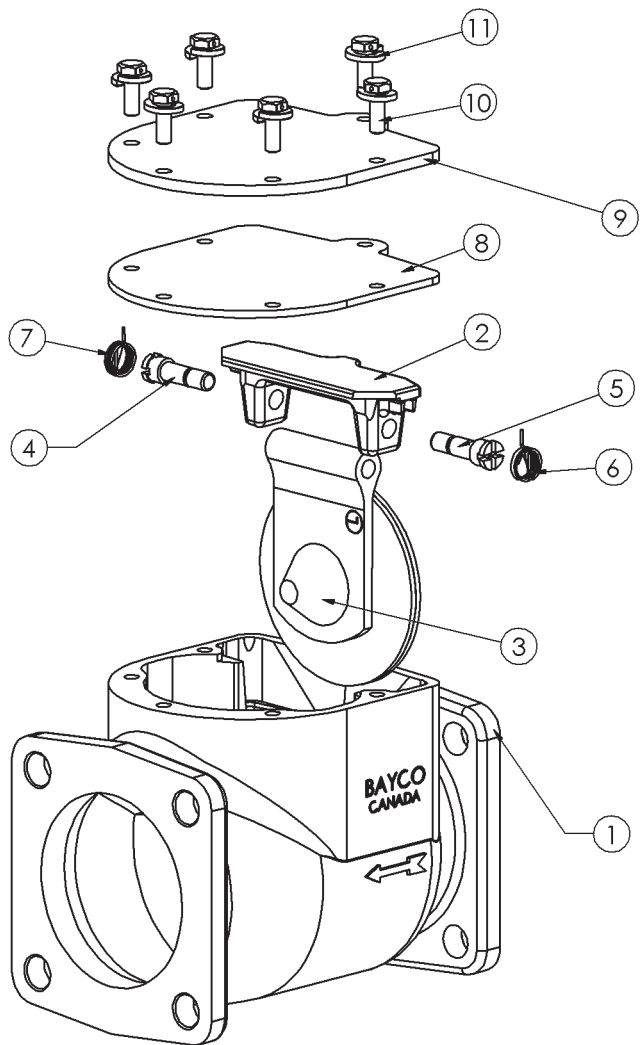
Repair Kits

Part #	Description	Includes Item #
3020CS	top cover plate kit, cover plate, spring clip assembly and O-ring seal	4, 8
3020FA	replacement white EPDM flapper kit, flapper assembly, shaft, shaft bearings, springs and shaft plugs	2, 3, 5, 6, 7, 10

Dry Bulk Replacement Parts

Swing Check Valves

Bayco High Flow 3030 Series 3" Swing Check Valves Round Flange, Square Flange, Threaded and Grooved Ends



Bill of Materials

Item #	Description	Part #	Qty
1	swing check body	---	1
2	flapper valve yoke	341595	1
3	valve flapper assembly with metal seal	use kit 3091RK1	1
4	right hand shaft	390798	1
5	left hand shaft	390799	1
6	left hand spring	use kit 3030RK3	1
7	right hand spring	use kit 3030RK3	1
8	cover gasket silicone	112257	1
9	cover	341611	1
10	bolt	use kit 3030HK	6
11	lock washer	use kit 3030HK	6

Dry Bulk
Replacement Parts

Repair Kits

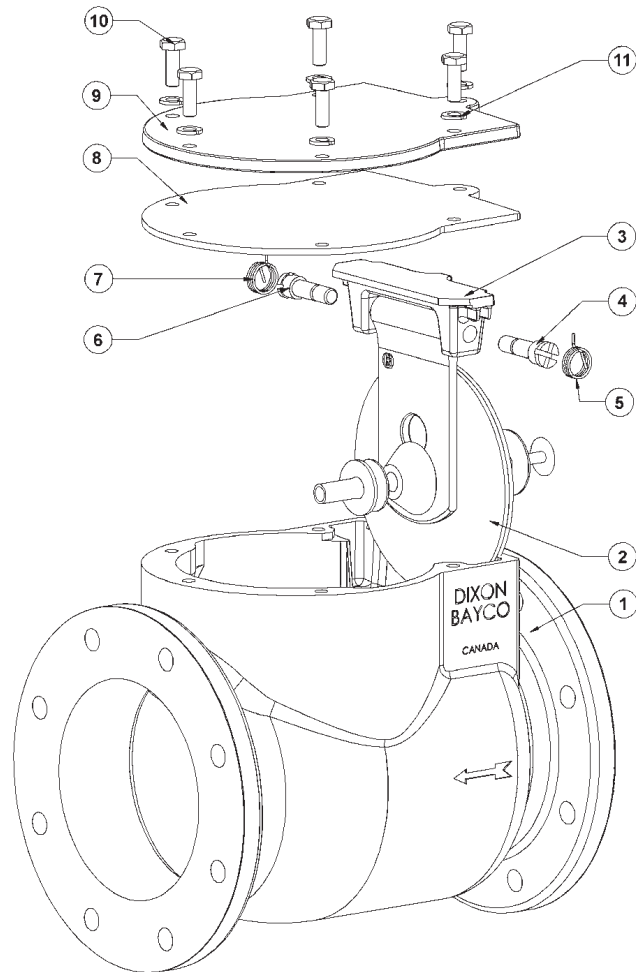
Part #	Description	Includes Item #
3090RK2	complete rebuild kit, silicone flapper assembly, yoke, springs, shafts, cover gasket, bolts and lock washers (for 3030RD-SSP, 3030SQ-SSP, 3030TE-SSP and 3030VIC-SSP)	2, 3A, 4, 5, 6, 7, 8, 10, 11
3091RK1	complete rebuild kit, metal seal flapper assembly, yoke, springs, shafts, cover gasket, bolts and lockwashers (for 3031RD, 3031SQ, 3031TE and 3031VIC)	2, 3B, 4, 5, 6, 7, 8, 10, 11
3030HK	replacement bolts and lockwashers	10, 11
3030RK3	replacement left and right springs	6, 7
3030SK	optional: anti-tamper security kit for swing check lid, 2 security bolts and wire seal	not illustrated

Swing Check Valves

Bayco High Flow 4040 Series 4" Swing Check Valves Round Flange and Threaded Units

Bill of Materials

Item #	Description	Part #	Qty
1	swing check body	---	1
2A	valve flapper assembly white EPDM (4040RD and 4040TE)	use kit 4040RK1	1
2B	valve flapper assembly metal seal (4041RD and 4041TE)	use kit 4041RK2	1
2C	valve flapper assembly red silicone (4042RD and 4042TE)	use kit 4042RK2	1
3	flapper valve yoke	341595	1
4A	left hand shaft (4040RD and 4040TE)	390799	1
4B	left hand shaft (4041RD, 4042RD, 4041TE, 4042TE)	390846	1
5A	left hand spring (4040RD and 4040TE)	use kit 3030RK3	1
5B	left hand spring (4041RD, 4042RD, 4041TE and 4042TE)	use kit 4041RK3	1
6A	right hand shaft (4040RD and 4040TE)	390798	1
6B	right hand shaft (4041RD, 4042RD, 4041TE & 4042TE)	390847	1
7A	right hand spring (4040RD and 4040TE)	use kit 3030RK3	1
7B	right hand spring (4041RD, 4042RD, 4041TE and 4042TE)	use kit 4041RK3	1
8	cover gasket	111215	1
9	cover	340039	1
10	bolt	use kit 3030HK	6
11	lock washer	use kit 3030HK	6



Repair Kits

Part #	Description	Includes Item #
4040RK1	replacement white EPDM flapper kit, flapper assembly, yoke, springs, shafts, cover gasket (for 4040RD and 4040TE)	2A, 3, 4A, 5A, 6A, 7A, 8
4041RK2 ¹	replacement metal seal flapper kit, flapper assembly, yoke, springs, shafts, cover gasket (for 4041RD and 4041TE)	2B, 3, 4B, 5B, 6B, 7B, 8
4042RK2 ¹	replacement red silicone flapper kit, flapper assembly, yoke, springs, shafts, cover gasket (for 4042RD and 4042TE)	2C, 3, 4A, 5A, 6A, 7A, 8
4040RK2	complete rebuild kit, white EPDM flapper assembly, yoke, springs, shafts, cover gasket, bolts and lock washers (for 4040RD and 4040TE)	2A, 3, 4A, 5A, 6A, 7A, 8, 10, 11
4041RK1 ¹	complete rebuild kit, metal seat flapper assembly, yoke, springs, shafts, cover gasket, bolts and lock washers (for 4041RD and 4041TE)	2B, 3, 4B, 5B, 6B, 7B, 8, 10, 11
4042RK1 ¹	complete rebuild kit, red silicone flapper assembly, yoke, springs, shafts, cover gasket, bolts and lock washers (for 4042RD and 4042TE)	2C, 3, 4A, 5A, 6A, 7A, 8, 10, 11
3030HK	replacement bolts and lock washers	10, 11
3030RK3	replacement left and right springs (for 4040RD and 4040TE)	5A, 7A
4041RK3	replacement left and right springs (for 4041RD, 4041TE, 4042RD and 4042TE)	5B, 7B
3030SK	optional: anti-tamper security kit for swing check lid, 2 security bolts and wire seal	not illustrated

¹ Kits 4041RK1, 4041RK2, 4042RK1 and 4042RK2 contain 2 sets of shafts and springs. Swing check valves manufactured after March 2007 should use the larger axial shafts and larger torsion springs. Swing check valves manufactured prior to March 2007 will require the use of the shorter axial shafts and the smaller torsion springs.

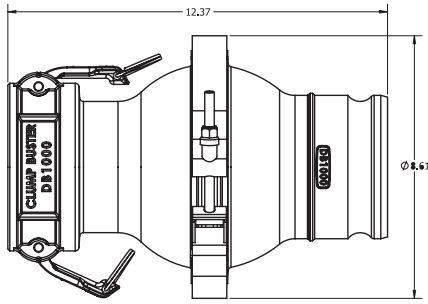
The smaller torsion springs will not return the flappers contained in the 4041RK1, 4041RK2, 4042RK1 and 4042RK2 kits to a fully closed position if the valve is mounted vertically or upside down. Ensure that these mounting positions are avoided if the smaller springs are used with the 4041RK1, 4041RK2, 4042RK1 and 4042RK2 kits.

Replacement Parts

Dry Bulk

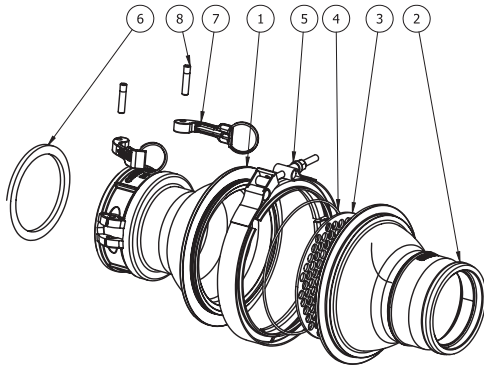
Clump Buster

Clump Buster - DB1000

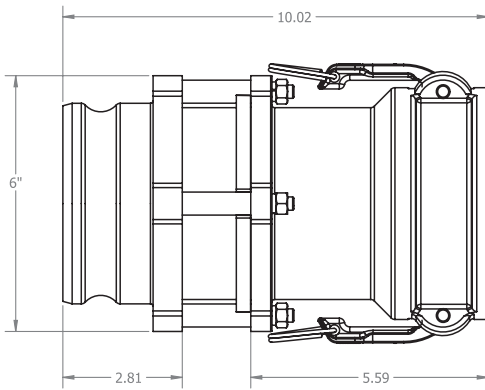


Bill of Materials - DB1000

Item #	Description	Part #	Qty
1	coupler - machining	341841	1
2	adapter - machining	341842	1
3	screen	391862	1
4	o-ring 2-166	112293	1
5	clamp	112291	1
6	gasket 4"	400-G-BU	1
7	cam arm with ring	300-HR-BR	2
8	pin	325-P	2

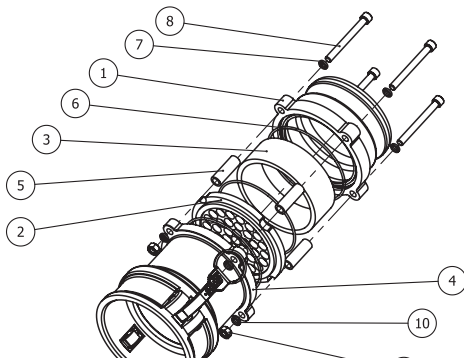


Clump Buster With Sight Glass - DB1000-SFI



Bill of Materials - DB1000SFI

Item #	Description	Part #	Qty
1	4" adapter for SG (AL)	341228	1
2	clump buster screen	112295	1
3	sight glass	6000-10 (390114)	1
4	coupler assembly 4"	6000-19	1
5	spacer	390911 spacer	4
6	o-ring 3.750X.093 buna-n	AS156 (110177)	3
7	lock washer	111723	4
8	screw_socket head .3125-18NCx3in	112296	4
9	nut	110978	4
10	lock washer	110977	4



Dry Bulk Replacement Parts

Part #	Page #	Part #	Page #
•00•LT-AL	24	206-810	16
••00•LT-AL	24	2120/••	6
•00GTTFCB	9	2180/•	4
•00GTTFTK	9	2180/••	4
•00TTFK	9	2180B/••	4
•-380-209•	17	2180RK-1•	28
•-380-828U501	17	2180RK-1•A	28
•-400-1500	16	2180V/••	4
•-480-1500	16	2182/••	3
••-480-1500	16	2182F/•	3
•-480-3501	16	2182F/••	3
••-480-3501	16	2-3-213	17
•-400-422209•	16	2-3-400-99-BPKIT	17
•-400-422237•	16	237-••-10	16, 17
•-400-422240	16	3/8 INSERT	19
•-400-422501	16	3/8 RETAINERBOLT	19
•x4 WING	19	3/8 T-BOLT	19
•x4-BD DOOR	19	300-••	31, 32
•x4BD DOORASBLY	19	300-••PK	31, 32
•x4-BD GASKET	19	3000•	11
•x4-BD TEE	18	3000-•	31, 32
•x4-BD TEE-E	18	3000••	11
•x4-S TEE	18	3000•••	11
•x4-S TEE-E	18	3000CAP	32
•x4-VRBD TEE	18	3000TE	11
•x4-VRST TEE	18	3000TE•	11
04901701	15	3000TE••	11
04902701	15	3000TE•••	11
10-400-1500	16	3001SQ•	11
10-400-4222370	16	3001SQ••	11
11•1•1	20	3001SQ•••	11
110977	31, 36	300GDBSQCB	9
110978	31, 36	300GDBSQE	9
111215	35	300GDBSQK	9
11132•	33	300-K	31, 32
111430	31	300-SPK	31, 32
111443	33	3020C	33
111485	33	3020CS	33
1120/••	6	3020SQ	10
1122••	36	3020FA	33
112257	27, 34	3030•••-SSP	10
113•••	20	3030••-SSP	10
206-••-5	15, 16	3030HK	27, 34, 35
206-1010	16	3030RK3	27, 34, 35

Index

Part #	Page #		Page #
3030SK.....	8, 27, 34, 35	4042RK•	35
3031••	10	41••	20
3031VIC.....	10	4126B	20
3040•LT-AL	24	4443.....	22
3090F	8	4-5-6-213.....	17
3090M.....	8	46••	20
3090M•	8	4-6-400-99-BPKIT	17
3090M••	8	4A-480-1500.....	16
3090RK•	8, 27, 34	4A-480-3501.....	16
3091RK•	27, 34	4A-400-422209U	16
3120/•	6	4A-400-422237U	16
3120/••	6	4A-400-422501.....	16
3180/••	4	5/6BD DOOR.....	19
3-380-828501	17	5-RF.....	19
340039.....	35	5x4-VRBD TEE K	18
341351.....	31	5x4-VRBD TEE-E	18
341595.....	27, 34, 35	5x4-VRST TEE K.....	18
341611.....	27, 34	5x4-VRST TEE-E	18
341841.....	36	6000••	8, 27, 31, 36
341842.....	36	6000NPHK.....	27
35••AA	13	6-390-393501	17
35••CA	13	6400SGK.....	31
35••CC.....	13	6544CA-1	31
363000-10	31	6-99-400BPKIT.....	17
390777.....	33	A2180/••.....	4
390784.....	33	A2180••ADJ.....	5
390798.....	27, 34, 35	A2180B••	4
390799.....	27, 34, 35	A2180V••	4
390846.....	35	A3180••	4
390847.....	35	A3180••ADJ.....	5
390911 spacer.....	36	ADS400	25
391862.....	36	AS156.....	31
40022•LTAL.....	24	BD BOLTS.....	19
400-206-65	17	BD WINGNUT	19
400-237-610	17	CAL•5	5
400-AS-AL	25	DBA•••TA	18
400GAGFI	25	DBA•••LTA	18
400-G-BU	25, 36	DB1000.....	13
4032•TF.....	9	DB1000-SFI.....	13
4040••	10	DB9000.....	23
4040RK•	35	DBV-BL•00	14
4041••	10	DBV-BN•00.....	14
4041RK•	35	DBV-VB•00.....	14
4042••	10	DBV-WB400	14

dex



Part #	Page #	Part #	Page #
GASKET RETAINER.....	19		
O-RINGAS238.....	31		
PC500•.....	12		
PC5000.....	12		
PC5000-002.....	12		
PC5000••.....	12		
PC5000••••.....	12		
SC5-16-18X2.5P.....	31		
SC5-16-18X2.75P.....	31		
SPRG/L4603.....	31, 32		
TDF•.....	21		
TTF•AL.....	22		
TTF3AL-3MT.....	9		
TTF400SP.....	22		
TTF4AL-•••.....	9		
TTF4AL-••••.....	8, 9		
TTF4ALHC-•••.....	9		

Index

Limited Warranty

Dixon Bayco, (herein called "Dixon") warrants the products described herein, and manufactured by Dixon to be free from defects in material and workmanship for a period of one (1) year from date of shipment by Dixon under normal use and service. It's sole obligation under this warranty being limited to repairing or replacing, as hereinafter provided, at its option any product found to Dixon's satisfaction to be defective upon examination by it, provided that such product shall be returned for inspection to Dixon's factory within three (3) months after discovery of the defect. The repair or replacement of defective products will be made without charge for parts or labor. This warranty shall not apply to: (a) parts or products not manufactured by Dixon, the warranty of such items being limited to the actual warranty extended to Dixon by its supplier; (b) any product that has been subject to abuse, negligence, accident, or misapplication; (c) any product altered or repaired by others than Dixon; and (d) to normal maintenance services and the replacement of service items (such as washers, gaskets and lubricants) made in connection with such services. To the extent permitted by law, this limited warranty shall extend only to the buyer and any other person reasonably expected to use or consume the goods who is injured in person by any breach of the warranty. No action may be brought against Dixon for an alleged breach of warranty unless such action is instituted within one (1) year from the date the cause of action accrues. This limited warranty shall be construed and enforced to the fullest extent allowable by applicable law.

Other than the obligation of Dixon set forth herein, Dixon disclaims all warranties, express or implied, including but not limited to any implied warranties of merchantability or fitness for a particular purpose, and any other obligation or liability. The foregoing constitutes Dixon's sole obligation with respect to damages, whether direct, incidental or consequential, resulting from the use or performance of the product.

Some products and sizes may be discontinued when stock is depleted, or may require a minimum quantity for ordering.

Limits of Liability

This catalog is intended as a product offering. It is not intended to be a user or technical manual. Information in this catalog is subject to change without notice. All users and distributors of products sold through this catalog should contact Dixon with questions of use, compatibilities, coupling procedures and life of product. Dixon's full-time engineering and test staff is always available to recommend uses and to assist distributors and users with any questions.



The warning triangle, which appears throughout our catalog, is used as a reminder that the user should carefully review for safety the appropriateness of the product for the media, application and environment in which it will be used.

Copyright

Copyright © 2013 by Dixon

All rights reserved. This book is copyrighted material. Use, reproduction or copying of it by anyone other than Dixon is strictly forbidden without its express written consent.

Dry Bulk Products

pages 2 - 25

Dry Bulk Replacement Parts

pages 26 - 36

Index

pages 37 - 39

United States

Albany, NY

ph 518.725.0998
178A Corporate Drive
Gloversville, NY 12078
fx 518.725.8542

Atlanta, GA

ph 770.486.9619
101 T.D.K. Boulevard
Suite A
Peachtree City, GA 30269
fx 770.486.9813

Dallas, NC

ph 704.334.9175
2925 Chief Court
Dallas, NC 28034
fx 704.334.9002

Chestertown, MD

ph 800.355.1991
800 High Street
Chestertown, MD 21620
fx 800.283.4966

Chicago, IL

ph 630.323.3716
40 Chestnut Avenue
Westmont, IL 60559
fx 630.323.4120

Cleveland, OH

ph 330.425.3000
1900 Enterprise Parkway
Twinsburg, OH 44087
fx 330.425.1527

Houston, TX

ph 713.678.4291
6525 Homestead Road
Houston, TX 77028
fx 713.678.8105

Kansas City, MO

ph 816.221.0064
1244 Saline Street
N. Kansas City, MO 64116
fx 816.221.1108

Los Angeles, CA

ph 909.605.6400
8840 Flower Road
Suites150/160
Rancho Cucamonga, CA 91730
fx 909.605.6200

Portland, OR

ph 503.289.0400
2642 North Marine Drive
Portland, OR 97217
fx 503.289.0600

Salt Lake City, UT

ph 801.972.1180
McGillis Ind. Pk. Bldg., #4
1972 South 4370 West
Salt Lake City, UT 84104
fx 801.972.8063

Tampa, FL

ph 813.247.3500
5120 Adamo Drive
Suite E
Tampa, FL 33619
fx 813.247.7910

International

Edmonton, Alberta, Canada

ph 780.469.5444
fx 780.463.9205

Innisfil, Ontario, Canada

ph 705.436.1125
fx 705.436.6251

Montreal, Quebec, Canada

ph 514.422.9292
fx 514.422.0166

Wingfield SA, Australia

ph 61.8.8202.6000
fx 61.8.8202.6099

Preston, England

ph 44.1.77.232-3529
fx 44.1.77.231.4664

Troisdorf-Spich, Germany

ph 49.2241.84406.0
ph 49.2241.8440679

Monterrey, Mexico

ph 52.81.8354.5649
fx 52.81.8354.8197



The Right Connection®

Dixon Bayco USA

800 High Street, Chestertown, MD 21620
Customer Service: 410-778-2002 • 800-355-1991
Fax: 410-778-4702 • 800-283-4966
dixonvalve.com

dixonvalve.com



customer service



GOODYEAR
RUBBER PRODUCTS INC.

Call Toll Free: **1-866-711-4673**
WebSales@GoodyearRubberProducts.com

**We Ship
World Wide**