

# Polypropylene Bolted Tank Fittings

## FEATURES

- Glass-reinforced polypropylene
- EPDM gaskets standard, Viton available
- Recessed cap bolts
- Stainless steel bolts, washers, nuts

Price  
Lookup

DESCRIPTION	1/2"	3/4"	1"	1-1/4"	1-1/2"	2"	2-1/2"
Full Port	050-TF	075-TF	100-TF	125-TF	150-TF	200F-TF	250-TF
Replacement Gaskets							
EPDM	24060-TF	24160-TF	24260-TF	24360-TF	24460-TF	24560FP-TF	24660-TF
Viton	24060V-TF	24160V-TF	24260V-TF	24360V-TF	24460V-TF	24560FPV-TF	24660V-TF
DESCRIPTION	2"	3"					
Standard Port	200-TF	300-TF					
Replacement Gaskets							
EPDM	24560SP-TF	24760-TF					
Viton	24560SPV-TF	24760V-TF					

Size	Operating Pressure
1/2"-1"	125 psi max @ 70° F
1 1/4"-2"	100 psi max @ 70° F
3"	75 psi max @ 70° F



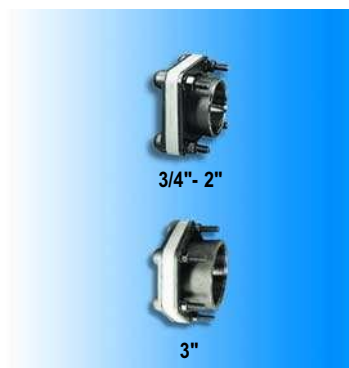
## New Stainless Steel Bolted Tank Fittings

### FEATURES

- 316 stainless steel
- Bolts threaded into back plate- no welds or bolt holes to leak
- Chemical resistant to most acids
- Uses single polyethylene gasket standard
- EPDM and Viton gaskets available

Price  
Lookup

DESCRIPTION	3/4"	1"	1-1/4"	1-1/2"	2"	3"
Double threaded fitting (no gasket)	63035	62948	63036	63037	63038	63039
Cross-linked polyethylene gasket	62950	62950	63041	63042	62848	63043
EPDM gasket	63205	63205	63206	63206	63206	63223
Viton gasket	63224	63224	63225	63225	63225	63226



## New Bulkhead Fittings

### FEATURES

- Glass-reinforced polypropylene
- EPDM gaskets standard, Viton available
- Double threaded

Price  
Lookup

DESCRIPTION	1/2"	3/4"	1"	1-1/4"	1-1/2"	2"	3"
Double threaded fitting	62834	60401	60427	60403	60124	60405	62299
Replacement Gaskets							
EPDM	60402	60406	60409	60404	60406	60406	60331
Viton	60360	60360	60361	60361	60523	60523	60351

