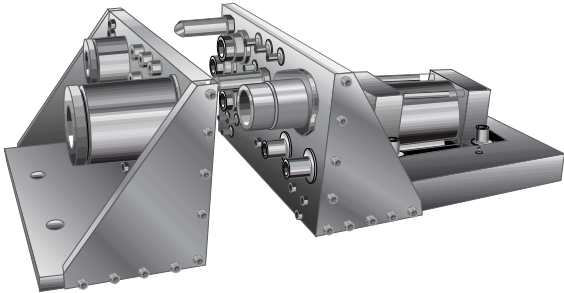


# LOCKING MECHANISMS

## **Snap-tite standard panel locking mechanisms available for your individual requirements.**

Snap-tite offers five standard locking mechanisms to be used on a wide variety of multi-coupling panels. These methods allow you to further customize your panel to your standards. When you select the coupling (or couplings), the panel configuration they're used on and the locking device – the result is a complete panel that will satisfy your specifications.

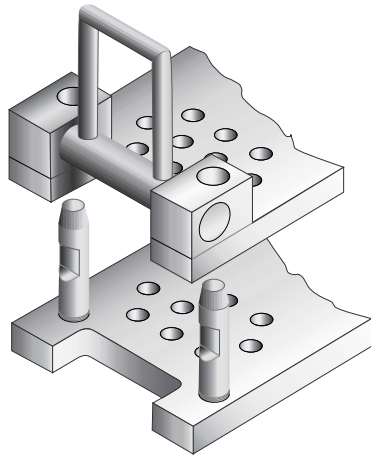
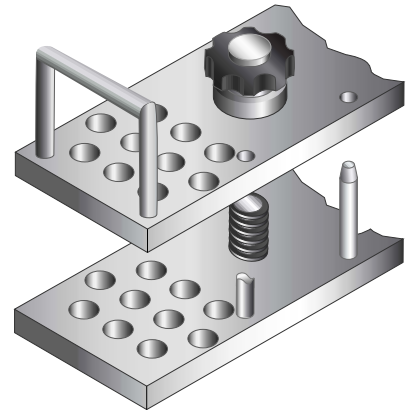


### **High Pressure Docking Method**

Used where connecting forces dictate the assistance of one or more cylinders to make the panel connection. This method is also used when separation forces exceed the recommended limits of other locking methods.

### **Manual Rotary Method**

An economical method to connect small panels of 10 or more 1/2" couplings or smaller. Acme thread is used to overcome forces required to engage the couplings.

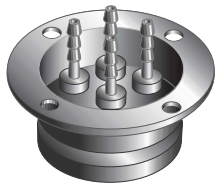
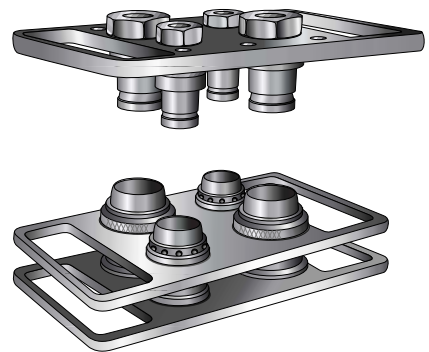


### **Dual Stage Bar Locking Method**

Snap-tite's unique double-stage locking bar overcomes high engagement forces thus allowing the manual connection of 10 or more couplings in varying sizes.

### **Multi-Coupling Method**

This method utilizes the coupling's locking mechanism to connect and lock each coupling simultaneously. A third plate is used to activate the locking sleeves simultaneously. Recommended when using 10 couplings or less per panel.



### **Master Coupling Method**

This compactness and smooth operation of a conventional quick disconnect coupling with a limited number of plain couplings enslaved within.