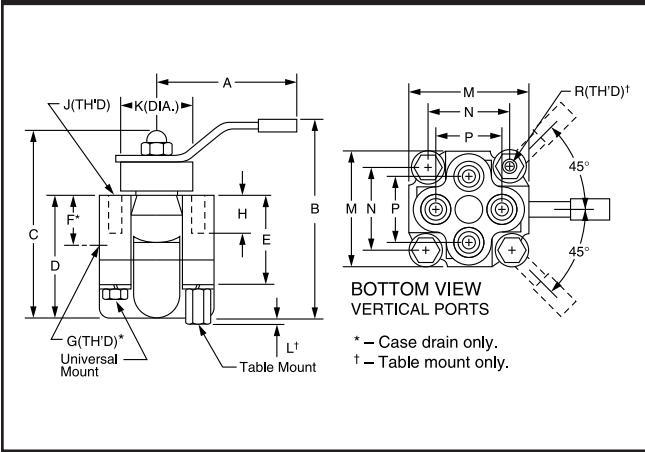
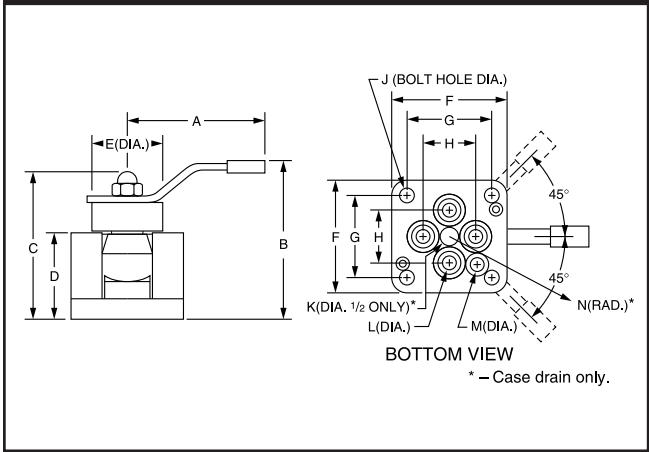


Dimensions ($\pm .015$)

Detent and Spring Centered



Manifold Mounting



	1/4"	3/8"	1/2"	3/4"	1"
A	7.00 (177.8)	7.00 (177.8)	7.00 (177.8)	8.75 (222.3)	8.75 (222.3)
B	4.60 (116.8)	5.30 (134.6)	5.80 (147.3)	8.92 (226.6)	8.92 (226.6)
C	4.46 (113.3)	5.16 (131.1)	5.66 (143.8)	6.18 (157.0)	6.18 (157.0)
D	2.70 (68.6)	3.40 (86.4)	3.90 (99.1)	5.16 (131.1)	5.16 (131.1)
E	2.01 (51.1)	2.82 (71.7)	3.10 (78.7)	4.39 (111.5)	4.39 (111.5)
F	.86 (21.8)	1.47 (37.4)	1.15 (29.2)	1.86 (47.2)	1.86 (47.2)
G(NPSF)	1/8-27	1/8-27	1/8-27	3/8-18	3/8-18
H	.38 (9.7)	.85 (21.6)	.75 (19.1)	.50 (12.7)	.50 (12.7)
J(UNC)	3/8-16	3/8-16	3/8-16	1/2-13	1/2-13
K	2.00 (50.8)	2.00 (50.8)	2.00 (50.8)	3.40 (86.4)	3.40 (86.4)
L	.29 (7.4)	.15 (3.8)	.16 (4.1)	.25 (6.4)	.25 (6.4)
M	2.63 (66.8)	3.00 (76.2)	3.75 (95.3)	5.00 (127.0)	5.00 (127.0)
N	1.88 (47.8)	2.25 (57.2)	2.63 (66.8)	4.06 (103.1)	4.06 (103.1)
P	1.38 (35.1)	1.50 (38.1)	2.31 (58.7)	3.00 (76.2)	3.00 (76.2)
R(UNC)	3/8-16	3/8-16	3/8-16	1/2-13	1/2-13

	1/4"	3/8"	1/2"	3/4"	1"
A	7.00 (177.8)	7.00 (177.8)	7.00 (177.8)	8.75 (222.3)	8.75 (222.3)
B	3.73 (94.7)	4.53 (115.1)	4.75 (120.1)	7.50 (190.5)	7.50 (190.5)
C	3.59 (91.2)	4.39(111.5)	4.61(117.1)	4.81(122.2)	4.81 (122.2)
D	1.83 (46.5)	2.63 (66.9)	2.84 (72.1)	3.78 (96.0)	3.78 (96.0)
E	2.00 (50.8)	2.00 (50.8)	2.00 (50.8)	3.40 (86.4)	3.40 (86.4)
F	2.63 (66.9)	3.00 (76.2)	3.75(95.3)	5.00 (127.0)	5.00 (127.0)
G	1.88 (47.8)	2.25 (57.2)	2.63 (66.8)	4.06 (103.1)	4.06 (103.1)
H	1.00 (25.4)	1.30 (33.0)	1.78 (45.2)	3.00 (76.2)	3.00 (76.7)
J	.34 (8.6)	.41 (10.4)	.41 (10.4)	.52 (13.2)	.52 (13.2)
K	-	-	.44 (11.2)	-	-
L	.25 (6.4)	.41 (10.4)	.50 (12.7)	.75 (19.1)	.75(19.1)
M	.19 (4.8)	.25 (6.4)	-	.69 (17.5)	.69 (17.5)
N	.75 (19.1)	1.06 (26.9)	-	1.81(46.0)	1.81 (46.0)

*N is the radius from the center of the valve to the location of the case drain port

Available Porting

