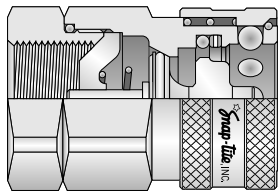


H Series quick disconnects have been proven by years of use on hydraulic-pneumatic applications and in handling of many gases and fluids. The H Series fully engineered design meets or exceeds MIL-C-51234 and provides superior flow characteristics with built in reliability.

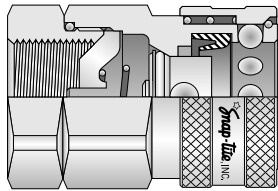
**PH Option** — Has the same advantages built into the H Series with the addition of an instant, automatic bleed-off valve built into the valve for fast, easy connection of hydraulic lines and for other applications that call for periodic connection against trapped static hydraulic pressure. The PH option can be placed in either the valve coupler or the valve nipple and are completely interchangeable with the H Series coupler or nipple.

The PH option has successfully been field tested in connecting against static pressures up to 3,000 psi (210 bar). Available in steel, zinc yellow dichromate plated, in sizes 3/8", 1/2", 3/4" and 1".

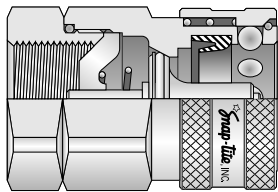
**IH Option** — The IH Series is identical to the H Series except for the valve which was designed specifically for durability when used in pneumatic systems using reciprocating, pulsating and rotary motion air tools. Cylindrical construction of the IH valve provides 360° contact with the plain H Series nipple. This permits repeated cycling while enabling efficient operation and long life. Available in steel, zinc yellow dichromate plated. Sizes 1/4", 3/8", 1/2" and 3/4".



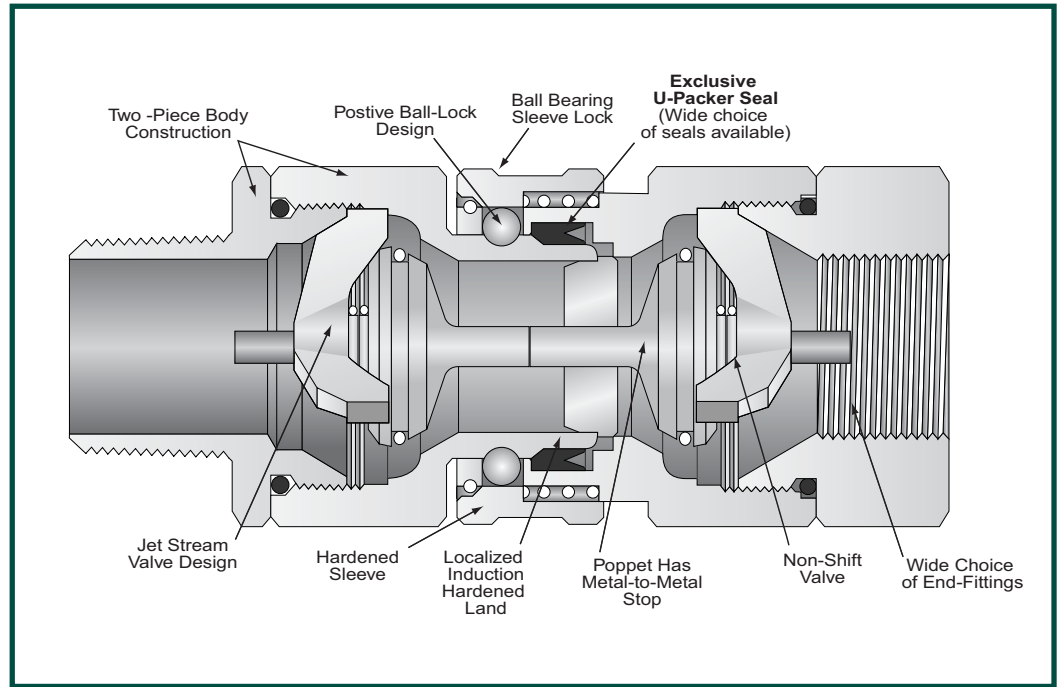
**-9 Option**



**IH Option**



**PH Option**



### WORKING PRESSURES\*

Quick Disconnect Size	Valve & Valve (Double Shut-off) Valve & Plain (Single Shut-off)								Plain & Plain (No Shut-off)							
	Steel		Aluminum		Brass		Stainless Steel		Steel		Aluminum		Brass		Stainless Steel	
	psi	bar	psi	bar	psi	bar	psi	bar	psi	bar	psi	bar	psi	bar	psi	bar
1/4"	6500	448	2250	155	2250	155	5000	345	11000	759	4000	276	4000	276	10000	690
3/8"	4500	310	2250	155	2250	155	4000	276	11000	759	4000	276	4000	276	8000	552
1/2"	4000	276	1750	121	2000	138	3750	259	11000	759	4000	276	4000	276	8000	552
3/4"	3500	241	1750	121	2000	138	2000	138	9000	621	3500	241	3500	241	7000	483
1"	2000	138	1500	103	1750	121	2000	138	6000	414	3000	207	3000	207	4000	276
1-1/4"	1750	121	375	26	350	24	1500	103	5000	345	1000	69	1000	69	3000	207
1-1/2"	1500	103	375	26	350	24	1500	103	5000	345	1000	69	1000	69	3000	207
2"	1500	103	300	21	400	28	500	34	4000	276	750	52	750	52	1000	69
2-1/2"	1000	69	300	21	400	28	400	28	1000	69	300	21	400	28	400	28
3"	750	52	200	14	200	14	400	28	750	52	200	14	200	14	400	28
4"	500	34	150	10	150	10	300	21	500	34	150	10	150	10	300	21

**NOTE:** Pressure ratings were established under static pressure conditions. Therefore, pressure ratings for any given flow, pressure surge, and/or vibration may vary from these ratings.

### Pressure and Flow Data

Pressure ratings of standard quick disconnects can be increased for some applications by slight design modifications or if specific operating conditions are met. On applications requiring higher ratings than those listed or pressure surges, please consult the factory. Burst pressures listed were taken at the point at which failure rendered the quick disconnect inoperative. (Proof pressure equals 1-1/2 times the working pressure; burst pressure equals 2 times working pressure.)

\*For Det Norske Veritas (DNV) compliance, divide the working pressures shown by 2.