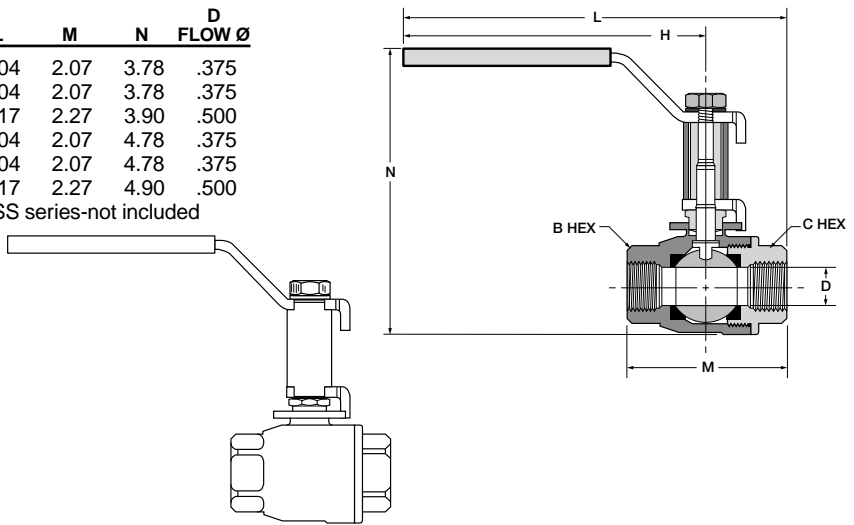


Stainless Steel Valve Extension Dimensions STX-SS-1-X

PART NO.	VALVE SIZE	B HEX	C HEX	H	L	M	N	D FLOW Ø
STX-SS-1-125	1/4	15/16	15/16	4.00	5.04	2.07	3.78	.375
STX-SS-1-125	3/8	15/16	15/16	4.00	5.04	2.07	3.78	.375
STX-SS-1-125	1/2	1-1/16	1-1/16	4.00	5.17	2.27	3.90	.500
STX-SS-1-225	1/4	15/16	15/16	4.00	5.04	2.07	4.78	.375
STX-SS-1-225	3/8	15/16	15/16	4.00	5.04	2.07	4.78	.375
STX-SS-1-225	1/2	1-1/16	1-1/16	4.00	5.17	2.27	4.90	.500

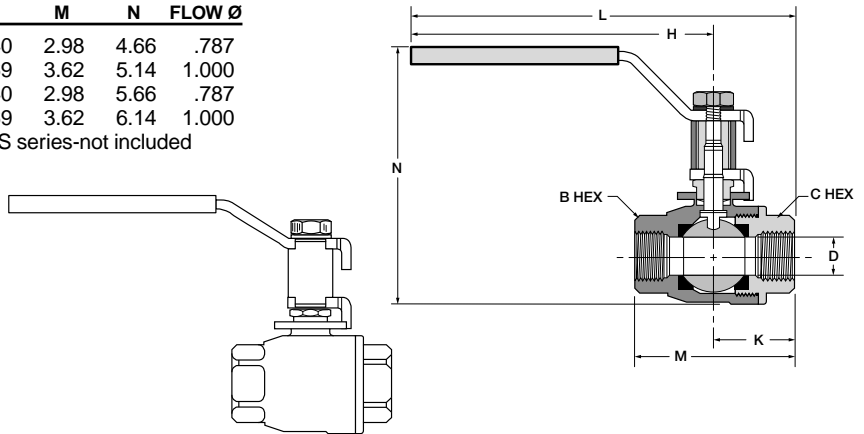
Note: Drawing shows STX-SS assembled to XV502SS series-not included



Stainless Steel Valve Extension Dimensions STX-SS-2-X

PART NO.	VALVE SIZE	B/C HEX	H	K	L	M	N	D FLOW Ø
STX-SS-2-125	3/4	1-1/16	4.94	1.52	6.40	2.98	4.66	.787
STX-SS-2-125	1	1-5/8	4.94	1.88	6.69	3.62	5.14	1.000
STX-SS-2-225	3/4	1-1/16	4.94	1.52	6.40	2.98	5.66	.787
STX-SS-2-225	1	1-5/8	4.94	1.88	6.69	3.62	6.14	1.000

Note: Drawing shows STX-SS assembled to XV500SS series-not included

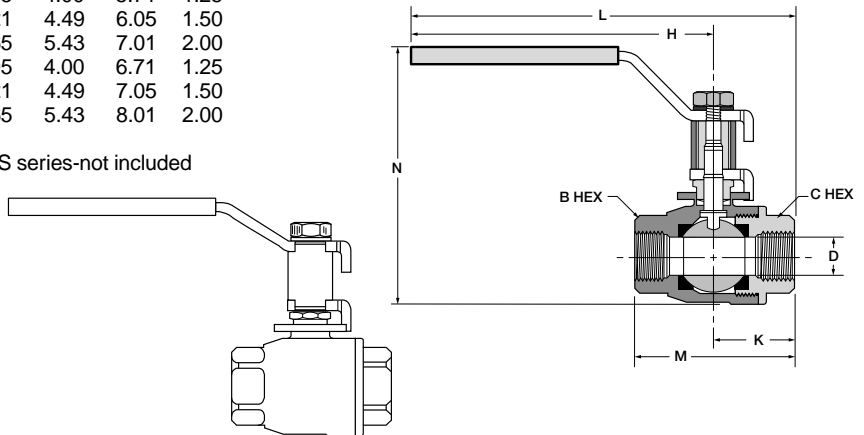


Stainless Steel Valve Extension Dimensions STX-SS-3-X

PART NO.	VALVE SIZE	B/C OCT	H	K	L	M	N	D FLOW Ø
STX-SS-3-125	1-1/4	2*	6.94	2.00	8.95	4.00	5.71	1.25
STX-SS-3-125	1-1/2	2-3/8	6.94	2.22	9.21	4.49	6.05	1.50
STX-SS-3-125	2	2-3/4	6.94	2.73	9.65	5.43	7.01	2.00
STX-SS-3-225	1-1/4	2*	6.94	2.00	8.95	4.00	6.71	1.25
STX-SS-3-225	1-1/2	2-3/8	6.94	2.22	9.21	4.49	7.05	1.50
STX-SS-3-225	2	2-3/4	6.94	2.73	9.65	5.43	8.01	2.00

*Hex bolt

Note: Drawing shows STX-SS assembled to XV500SS series-not included



J