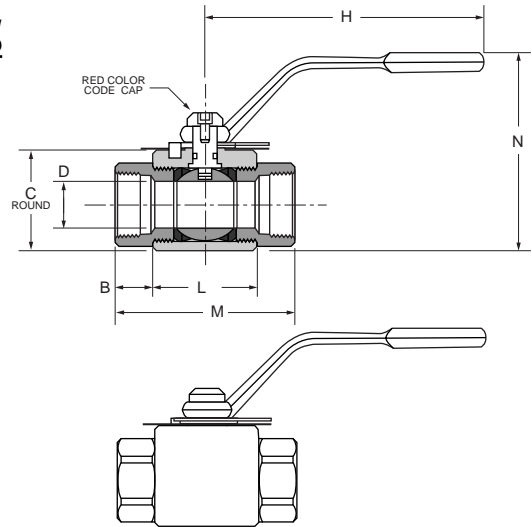


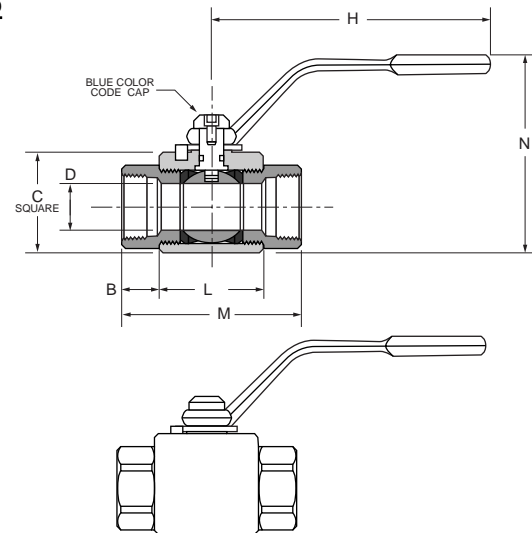
6000 PSI Locking-Female-Female Pipe Ends XVP500HP-X (LARGE)

PART NO.	PIPE THREAD [NPT]	B	C	H	L	M	N	FLOW DIA. D
XVP500HP-20	1 1/4-11.5	.85	3.25	10.00	3.15	4.84	6.31	1.26
XVP500HP-24	1 1/2-11.5	.99	3.75	10.00	3.35	5.33	6.76	1.50
XVP500HP-32	2-11.5	1.30	4.50	10.00	3.94	6.54	7.42	1.89



6000 PSI Female-Female Straight Thread Ends XV506HP-X

PART NO.	SAE J1926-1 THREAD	B	C	H	L	M	N	FLOW DIA. D
XV506HP-4	7/16-20 UNF	.67	1.38	4.50	1.39	2.74	2.98	.240
XV506HP-6	9/16-18 UNF	.60	1.50	4.50	1.65	2.87	3.11	.390
XV506HP-8	3/4-16 UNF	.75	1.63	4.50	1.85	3.35	3.23	.510
XV506HP-12	1 1/16-12 UNF	.70	2.25	7.00	2.40	3.80	4.70	.790
XV506HP-16	1 5/16-12 UNF	.96	2.50	7.00	2.57	4.49	4.95	.950



6000 PSI Female-Female Straight Thread Ends XV506HP-X (LARGE)

PART NO.	SAE J1926-1 THREAD	B	C	H	L	M	N	FLOW DIA. D
XV506HP-20	1 5/8-12 UNF	.85	3.25	10.00	3.15	4.84	6.31	1.26
XV506HP-24	1 7/8-12 UNF	.99	3.75	10.00	3.35	5.33	6.76	1.50
XV506HP-32	2 1/2-12 UNF	1.30	4.50	10.00	3.94	6.54	7.42	1.89

