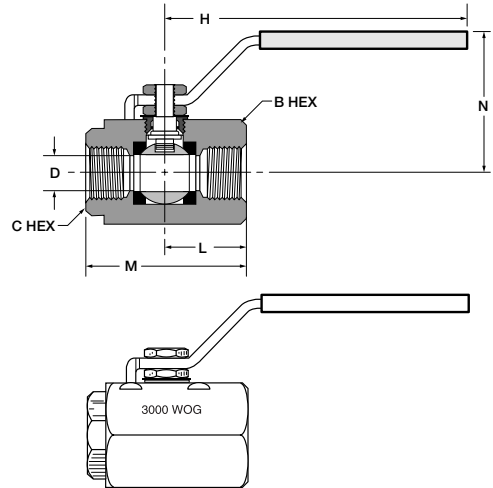


Female-Female SAE Straight Thread Ports XV506CS

| PART NO. | STRAIGHT THREAD | B HEX | C HEX | H | L | M | N | D FLOW Ø |
|------------|-----------------|--------|-------|------|------|------|------|----------|
| XV506CS-4 | 7/16-20 | 1-1/16 | 15/16 | 3.78 | 1.00 | 2.00 | 1.63 | .400 |
| XV506CS-6 | 9/16-18 | 1-1/16 | 15/16 | 3.78 | 1.00 | 2.00 | 1.63 | .400 |
| XV506CS-8 | 3/4-16 | 1-5/8 | 1-1/4 | 4.78 | 1.32 | 2.84 | 2.16 | .500 |
| XV506CS-12 | 1-1/16-12 | 1-7/8 | 1-5/8 | 4.78 | 1.66 | 3.71 | 2.35 | .750 |
| XV506CS-16 | 1-5/16-12 | 2-1/2 | 2-1/8 | 6.10 | 1.88 | 4.15 | 2.85 | 1.000 |



J