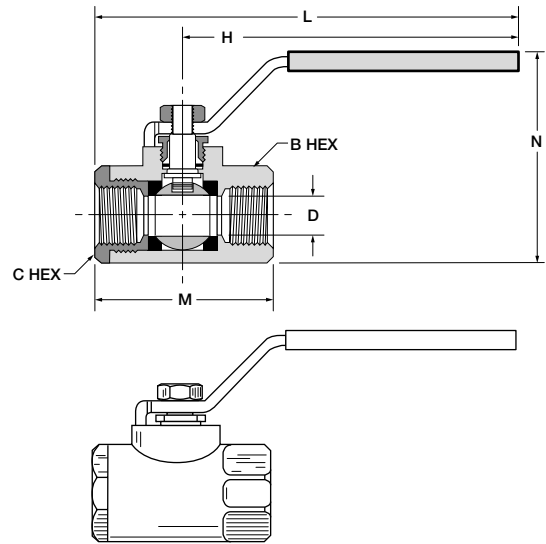


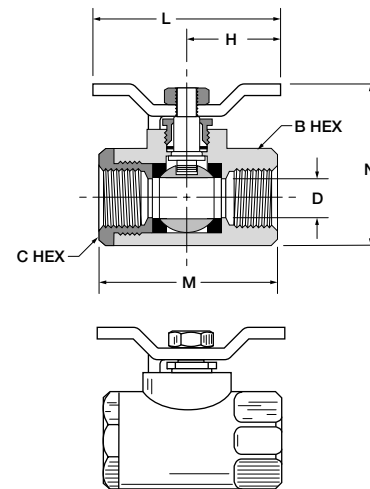
UL Listed, Female Pipe Ends XV500PUL

| PART NO. | PIPE THREAD [PTF] | B HEX | C HEX | H | L | M | N | FLOW DIA.D |
|-------------|-------------------|--------|--------|------|------|------|------|------------|
| XV500PUL-4 | 1/4 | 15/16 | 15/16 | 3.96 | 4.90 | 2.03 | 2.47 | .375 |
| XV500PUL-6 | 3/8 | 15/16 | 15/16 | 3.96 | 4.90 | 2.03 | 2.47 | .375 |
| XV500PUL-8 | 1/2* | 1-1/16 | 1-1/16 | 3.96 | 5.00 | 2.20 | 2.58 | .500 |
| XV500PUL-12 | 3/4** | 1-1/4 | 1-5/16 | 3.96 | 5.25 | 2.42 | 2.81 | .685 |
| XV500PUL-16 | 1** | 1-1/2 | 1-9/16 | 3.96 | 5.34 | 2.75 | 3.08 | .875 |



UL Listed, Tee Handle, Female Pipe Ends XV500PUL-X-04

| PART NO. | PIPE THREAD [PTF] | B HEX | C HEX | H | L | M | N | D FLOW Ø |
|----------------|-------------------|--------|--------|------|------|------|------|----------|
| XV500PUL-4-04 | 1/4 | 15/16 | 15/16 | 1.25 | 2.50 | 2.03 | 1.87 | .375 |
| XV500PUL-6-04 | 3/8 | 15/16 | 15/16 | 1.25 | 2.50 | 2.03 | 1.87 | .375 |
| XV500PUL-8-04 | 1/2* | 1-1/16 | 1-1/16 | 1.25 | 2.50 | 2.20 | 1.98 | .500 |
| XV500PUL-12-04 | 3/4** | 1-1/4 | 1-5/16 | 1.25 | 2.50 | 2.42 | 2.20 | .685 |
| XV500PUL-16-04 | 1** | 1-1/2 | 1-9/16 | 1.25 | 2.50 | 2.75 | 2.48 | .875 |



*PTF special short. **PTF special extra short

