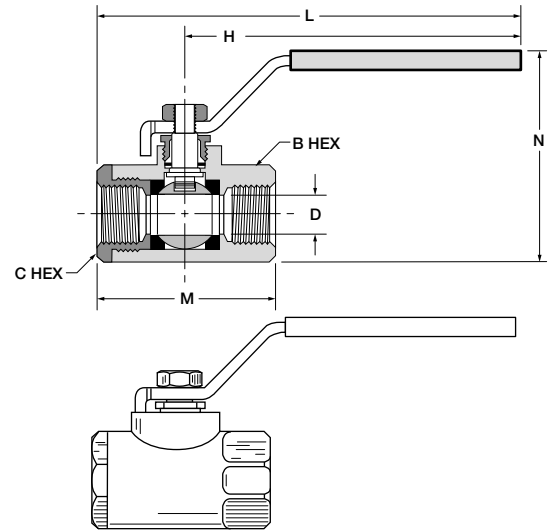


**Female-Female Pipe Ends XV500P**

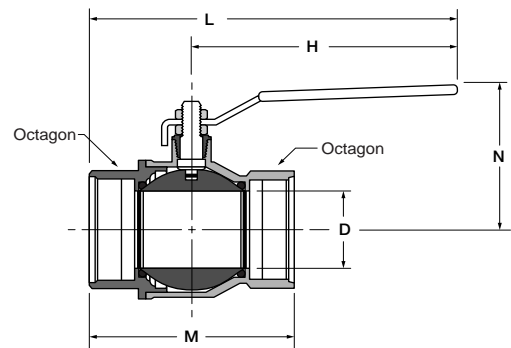
PART NO.	PIPE THREAD [PTF]	B HEX	C HEX	H	L	M	N	FLOW DIA.D
XV500P-4	1/4	15/16	15/16	3.96	4.90	2.03	2.47	.375
XV500P-6	3/8	15/16	15/16	3.96	4.90	2.03	2.47	.375
XV500P-8	1/2*	1-1/16	1-1/16	3.96	5.00	2.20	2.58	.500
XV500P-12†	3/4**	1-1/4	1-5/16	3.96	5.25	2.42	2.81	.685
XV500P-16†	1**	1-1/2	1-9/16	3.96	5.34	2.75	3.08	.875

† Available in Full Flow Panel Mount see XV508P Series



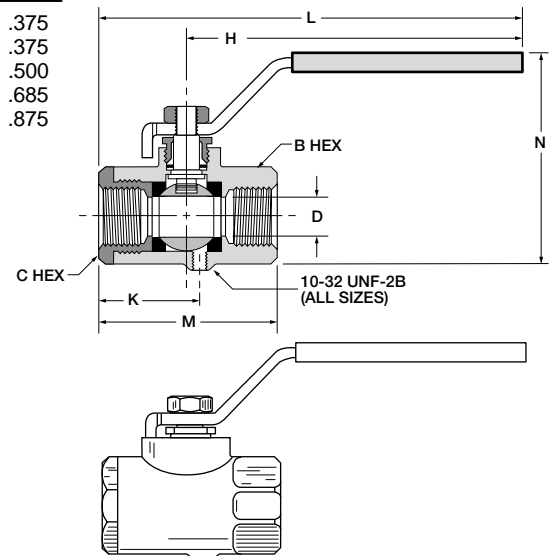
**Female-Female Pipe Ends XV500P-20, XV500P-24, XV500P-32**

PART NO.	PIPE THREAD [NPT]	OCTAGON	H	L	M	N	FLOW DIA.D
XV500P-20	1-1/4	1.93	6.22	8.05	3.66	3.01	1.18
XV500P-24	1-1/2	2.13	6.22	8.23	4.02	3.25	1.50
XV500P-32	2	2.69	6.22	8.58	4.76	3.52	1.89



**Vented, Female Pipe Ends XVV500P**

PART NO.	PIPE THREAD	B HEX	C HEX	K	H	L	M	N	D FLOW Ø
XVV500P-4	1/4	15/16	15/16	1.11	3.96	4.90	2.03	2.47	.375
XVV500P-6	3/8	15/16	15/16	1.11	3.96	4.90	2.03	2.47	.375
XVV500P-8	1/2*	1-1/16	1-1/16	1.23	3.96	5.00	2.20	2.58	.500
XVV500P-12	3/4**	1-1/4	1-5/16	1.45	3.96	5.25	2.42	2.81	.685
XVV500P-16	1**	1-1/2	1-9/16	1.58	3.96	5.34	2.75	3.08	.875



\*PTF special short. \*\*PTF special extra short

