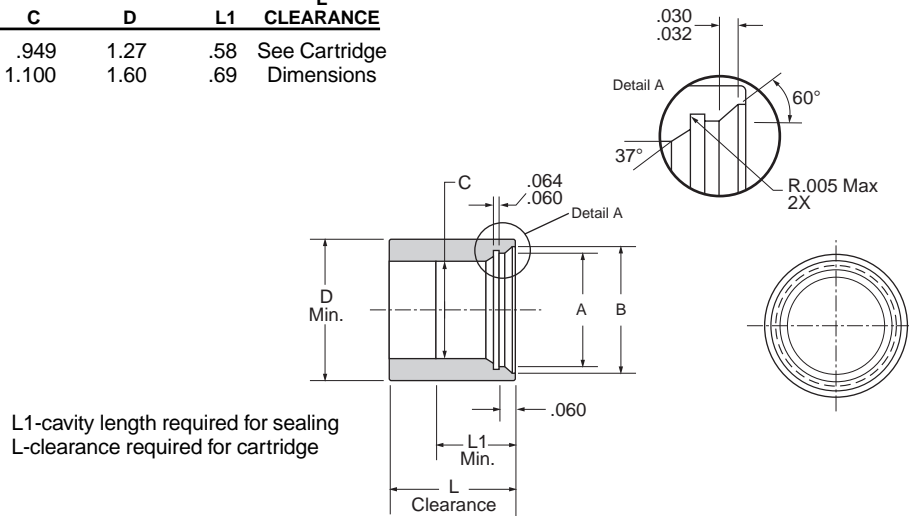


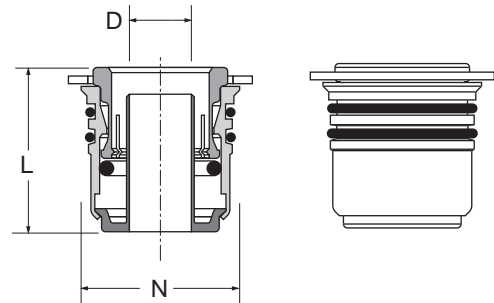
**Spud Port Requirements for the Removable Tank Cartridge**

TUBE SIZE	A	B	C	D	L1	L CLEARANCE
1/4", 3/8", 1/2"	1.062	1.130	.949	1.27	.58	See Cartridge Dimensions
5/8", 3/4"	1.314	1.396	1.100	1.60	.69	



**Prestomatic Removable Tank Cartridge TCPR**

PART NO.	TUBE SIZE	RR*	L	N	FLOW DIA. D	L CLEARANCE
TCPR-4	1/4	HOI-106	.73	.93	.140	.58
TCPR-6	3/8	HOI-106	.83	.93	.217	.62
TCPR-8	1/2	HOI-106	.97	.93	.338	.65
TCPR-10	5/8	HOI-131	1.05	1.08	.398	.75
TCPR-12	3/4	HOI-131	1.15	1.19	.500	.90



\*Retaining ring required for assembly. Retaining ring is not supplied with cartridge. Retaining ring manufactured by Rotor Clip Company, Inc.