

Prestomatic Removable Tank Cartridges

Advantages

Leakage and assembly problems encountered with the use of pipe threaded fittings in out-of-round internal threads that are commonly found in air tank spuds prompted the development of the Prestomatic® Removal Tank Cartridge. This threadless cartridge is retained in the spud by a standard retaining ring, and the double Buna-N (Nitrile) o-ring seal virtually guarantees leak free performance.

Specifications

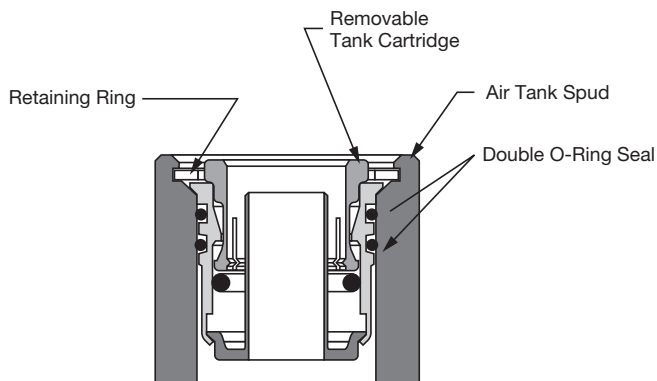
The Prestomatic removable tank cartridge has been thoroughly tested and meets or exceeds the requirements of DOT FMVSS 571.106 and SAE J1131.

Technical Data

- Working pressure from vacuum to 250 psi
- Working temperature from -40°F to +200°F (Note: See tubing manufacturer's recommendations for pressure and temperatures limitations.)

Features

- Easy assembly
- Patented third generation Prestomatic® brass componentry which includes a shoulder for increased side load capabilities, contamination resistance features and tight internal tolerances for a close fit and smooth operation
- Available in sizes 1/4", 3/8", 1/2", 5/8" and 3/4"
- Available in straight and elbow configurations



Tube Assembly Instructions

1. Cut Parker Parflex thermoplastic squarely using Parker tube cutter PTC-001.
2. Insert end of tubing into cartridge until it bottoms. Pull on tubing to verify it is properly retained
3. To disassemble, simply hold release button against the body and remove tubing

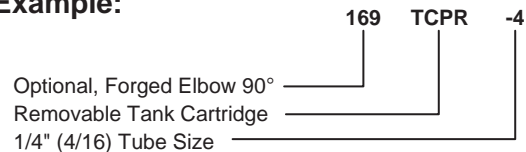
Order

By part number and name

Nomenclature

Part numbers are constructed from symbols that identify the style and size of the cartridge.

Example:



Special Cartridges

Configurations and /or sizes other than those shown in the catalog can be furnished. Non-standard o- ring materials are available. It is suggested that a print or sketch be submitted with the inquiry. Price and delivery for non-stock items furnished on request for specified quantities.