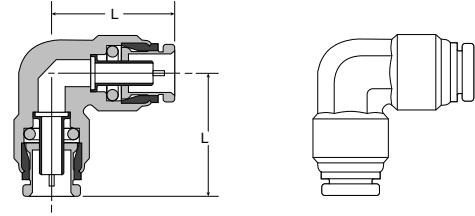


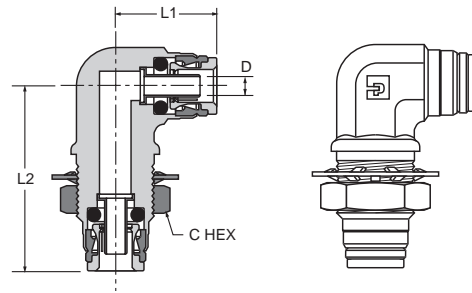
Union Elbow 165PMT

PART NO.	TUBE SIZE	L
165PMT-4	1/4	.85
165PMT-6	3/8	1.11
165PMT-8	1/2	1.24
165PMT-10	5/8	1.57



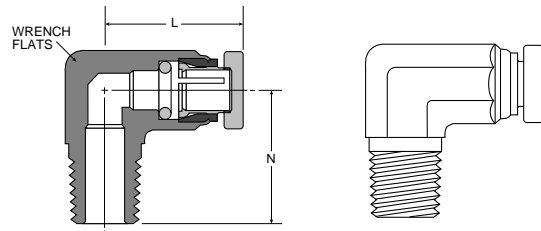
Union Bulkhead Elbow 165PMTBH

PART NO.	TUBE SIZE	L1	L2	C HEX	FLOW DIA. D	BULKHEAD HOLE DIA.
165PMTBH-8	1/2	1.29	2.45	1 1/4	.34	1



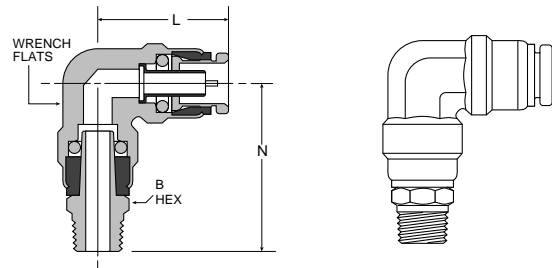
Male Elbow Non-Swivel 169PMNS

PART NO.	TUBE SIZE	PIPE THREAD	L	N	WRENCH FLATS
169PMNS-2-2	1/8	1/8	.86	.68	3/8
169PMNS-5/32-2	5/32	1/8	.88	.68	3/8
169PMNS-3-2	3/16	1/8	.75	.67	3/8
169PMNS-3-4	3/16	1/4	.74	.93	1/2



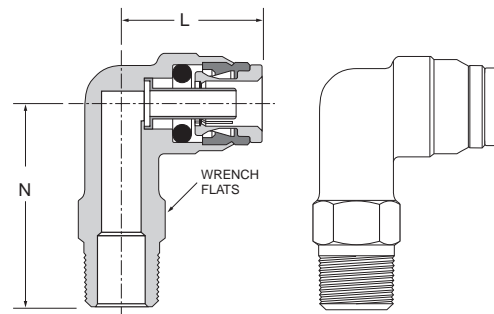
Male Elbow Swivel 90° 169PMT

PART NO.	TUBE SIZE	PIPE THREAD	L	N	WRENCH FLATS	B HEX
169PMT-4-2	1/4	1/8	.84	1.21	13/32	7/16
169PMT-4-4	1/4	1/4	.84	1.43	13/32	9/16
169PMT-4-6	1/4	3/8	.84	1.43	13/32	11/16
169PMT-6-2	3/8	1/8	1.11	1.41	9/16	9/16
169PMT-6-4	3/8	1/4	1.11	1.58	9/16	9/16
169PMT-6-6	3/8	3/8	1.11	1.58	9/16	11/16
169PMT-6-8	3/8	1/2	1.11	1.79	9/16	7/8
169PMT-8-4	1/2	1/4	1.27	1.73	11/16	5/8
169PMT-8-6	1/2	3/8	1.27	1.81	11/16	3/4
169PMT-8-8	1/2	1/2	1.27	1.96	11/16	7/8
169PMT-10-6	5/8	3/8	1.53	2.03	7/8	3/4
169PMT-10-8	5/8	1/2	1.53	2.18	7/8	7/8



Male Elbow Long Non-Swivel 90° 169PMTL

PART NO.	TUBE SIZE	PIPE THREAD	L	N	WRENCH FLATS
169PMTL-6-4	3/8	1/4	1.06	1.63	9/16
169PMTL-6-8	3/8	1/2	1.19	2.50	7/8
169PMTL-6-6	3/8	3/8	1.19	2.50	7/8
169PMTL-8-8	1/2	1/2	1.22	2.50	7/8
169PMTL-10-8	5/8	1/2	1.46	2.50	7/8



† U.S. Patent No. 5,683,120