

Prestomatic Air Brake Push-In Fittings

Advantages

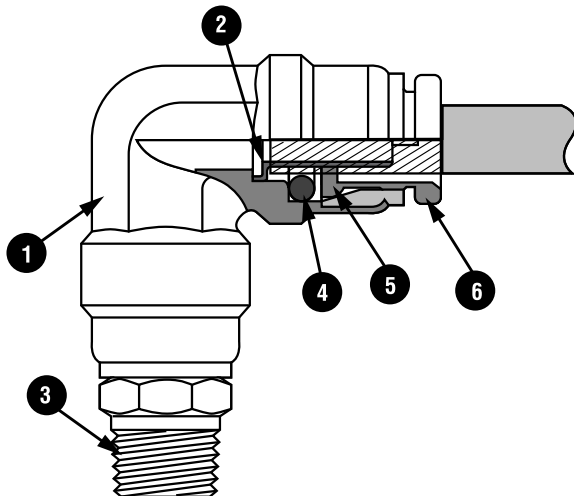
Patented design of sizes 5/32" and above meet SAE J2494 and D.O.T. FMVSS 571.106 air brake performance specifications. No special tools are needed to assemble. Just bottom the tubing in the fitting body for a positive seal. Stainless steel tube support in sizes 1/4" and above assures maximum flow and performance requirements of SAE J1131. 1/8" Prestomatic[†] is designed for use in pressure protected air accessory lines that are isolated from the air brake system.

Application

Use with Parker Parflex SAE J844 type A & B nylon tubing. Designed for all D.O.T. truck and trailer applications. Consult the factory with any questions regarding special product applications. Prior to use, all applications should be carefully tested through the range of conditions which may be encountered.

Features

1. All brass body.
2. Stainless steel tube support assures maximum flow and performance characteristics.
3. Elbows and tees are available in swivel or rigid dryseal pipe threads. Swivels are designed for alignment purposes only.
4. Lubricated O-Ring Seal (Buna N) insures a quick, easy and positive seal.
5. Innovative Collet design insures positive grip on tubing.
6. Release Button offers quick and easy disconnections.



Technical Data

- Working pressure from vacuum to 250 psi.
- Working temperature from -40° F to +200° F (Note: see tubing manufacturer's recommendations for pressure and temperature limitations).
- Buna N (Nitrile) O-Rings.

Order

By part number and name.

Nomenclature

Part numbers are constructed from symbols that identify the style and size of the fitting. The first series of numbers and letters identify the style and type of fitting. The Prestomatic series 1/4" and above has a stainless steel tube support and is designated with a "PMT" suffix. The Prestomatic series in sizes 1/8", 5/32", and 3/16" does not have a tube support and is designated with a "PM" suffix.

Example:

	68	PMT	6	4
Male Connector	_____	_____	_____	_____
Air Brake Push-In Fitting	_____	_____	_____	_____
3/8" (6/16) Tube Size	_____	_____	_____	_____
1/4" (4/16) Pipe Thread	_____	_____	_____	_____

Special Fittings

Fitting configurations and/or sizes other than those shown in the catalog can be furnished. It is suggested that a print or sketch be submitted with the inquiry. Price and delivery for non-stock items furnished on request for specified quantities.

Pricing

Only items priced in current supplementary price list PL3501 are carried in stock. Price and delivery for non-stock items furnished on request for specified quantity.

[†] U.S. Patent No. 5,683,120