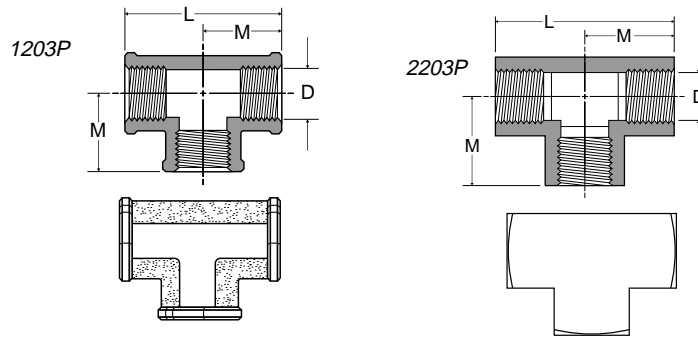


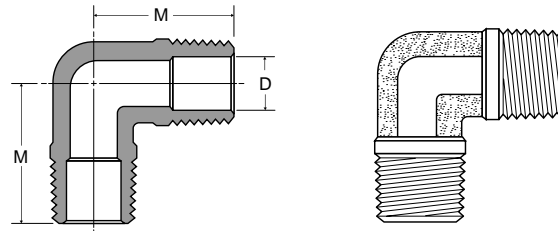
**Union Tee 1203P-2203P**

PART NO.	PIPE THREAD	L	M	FLOW DIA.D
1203P-2	1/8	1.12	.56	.328
2203P-2	1/8	1.06	.53	.328
1203P-4	1/4	1.38	.69	.422
2203P-4	1/4	1.52	.76	.422
2203P-6	3/8	1.68	.84	.562
1203P-8	1/2	2.14	1.07	.688
2203P-8	1/2	2.14	1.07	.688
2203P-12	3/4	2.28	1.14	.900



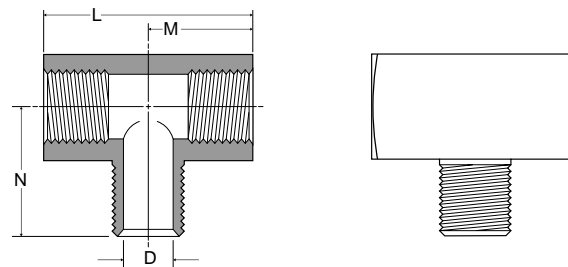
**Male Elbow 1204P**

PART NO.	PIPE THREAD	M	FLOW DIA.D
1204P-2	1/8	.71	.220
1204P-4	1/4	1.09	.312
1204P-6	3/8	1.09	.406
1204P-8	1/2	1.41	.562



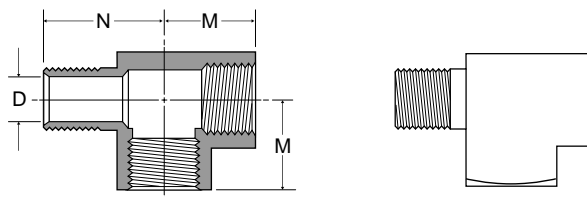
**Male Branch Tee 2224P**

PART NO.	PIPE THREAD	L	M	N	FLOW DIA.D
2224P-2	1/8	1.06	.53	.66	.220
2224P-4	1/4	1.52	.76	.91	.314
2224P-6	3/8	1.68	.84	.97	.438
2224P-8	1/2	2.18	1.09	1.26	.592
2224P-12	3/4	2.32	1.16	1.38	.750



**Street Tee 2225P**

PART NO.	PIPE THREAD	M	N	FLOW DIA.D
2225P-2	1/8	.53	.66	.220
2225P-4	1/4	.76	.91	.312
2225P-6	3/8	.84	.98	.440
2225P-8	1/2	1.07	1.26	.564
2225P-12	3/4	1.14	1.38	.750



**E**