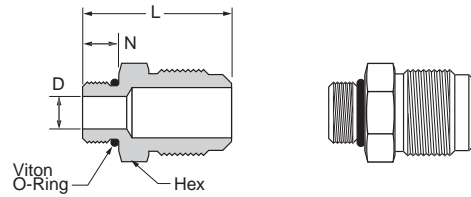


Flare to Straight Thread 485F

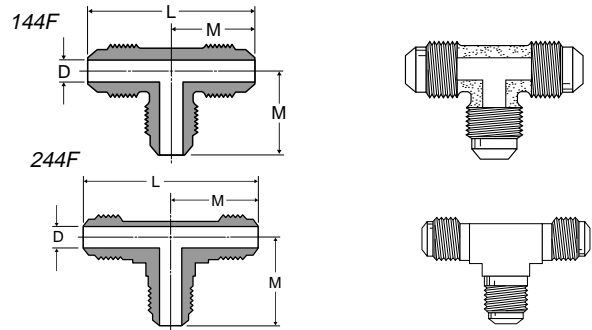
PART NO.	TUBE SIZE	STRAIGHT THREAD	HEX	L	N	FLOW DIA. D
485F-12-8	3/4	3/4-16	1 1/16	1.80	.44	.397
485F-12-12	3/4	1 1/16-12	1 1/4	2.03	.59	.615



Union Tee 144F-244F

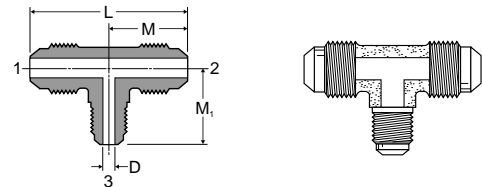
Ref. SAE 010401

PART NO.	TUBE SIZE	STRAIGHT THREAD	L	M	FLOW DIA. D
144F-3	3/16	3/8-24	1.46	.73	.125
144F-4	1/4	7/16-20	1.72	.86	.189
244F-4	1/4	7/16-20	1.72	.86	.189
144F-5	5/16	1/2-20	1.82	.91	.220
144F-6	3/8	5/8-18	2.08	1.04	.283
144F-8	1/2	3/4-16	2.46	1.23	.408
144F-10	5/8	7/8-14	2.78	1.39	.503



Union Tee 144F-244F combination sizes

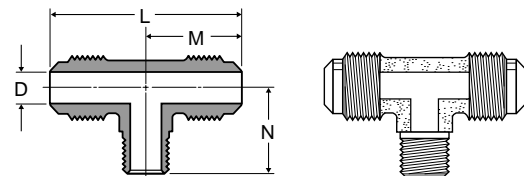
PART NO.	1 TUBE SIZE	2 TUBE SIZE	3 TUBE SIZE	L	M	M1	FLOW DIA. D
144F-6-6-4	3/8	3/8	1/4	2.08	1.04	.89	.189
144F-8-8-6	1/2	1/2	3/8	2.40	1.20	1.10	.283



Male Branch Tee 145F

Ref. SAE 010425

PART NO.	TUBE SIZE	PIPE THREAD	STRAIGHT THREAD	L	M	N	FLOW DIA. D
145F-2-2	1/8	1/8	5/16-24	1.26	.63	.69	.079
145F-4-2	1/4	1/8	7/16-20	1.58	.79	.76	.189
145F-4-4	1/4	1/4	7/16-20	1.78	.89	.92	.188
145F-5-4	5/16	1/4	1/2-20	1.90	.95	.96	.220
145F-6-4	3/8	1/4	5/8-18	1.96	.98	1.05	.281
145F-6-6	3/8	3/8	5/8-18	2.00	1.00	.98	.283
145F-6-8	3/8	1/2	5/8-18	2.28	1.14	1.26	.281
145F-8-6	1/2	3/8	3/4-16	2.40	1.20	1.10	.408
145F-8-8	1/2	1/2	3/4-16	2.46	1.23	1.36	.408
145F-10-8	5/8	1/2	7/8-14	2.78	1.39	1.36	.501



Cross 147F

Ref. SAE 010501

PART NO.	TUBE SIZE	STRAIGHT THREAD	M	FLOW DIA. D
147F-6	3/8	5/8-18	1.04	.283

