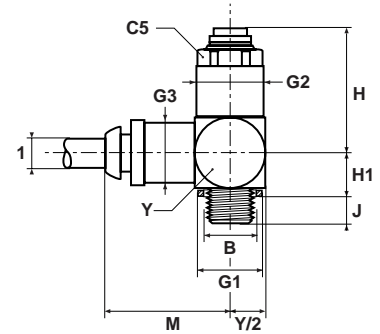


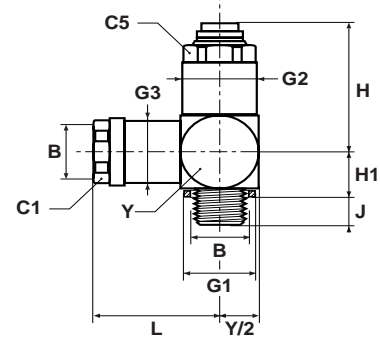
PRB4PB Pressure Reducer Banjo Version with Push-In Connection

PART NO.	1	B	C5	G1	G2	G3	H MIN.	H MAX.	H1	J	M	Y
PRB4PB6-1/8	6	1/8	19	19.5	22	20	49	57	12	6	43	21
PRB4PB6-1/4	6	1/4	19	19.5	22	20	49	57	12	6	43	21
PRB4PB8-1/4	8	1/4	19	19.5	22	20	49	57	12	6	40	21
PRB4PB10-1/4†	10	1/4	27	26.0	28	26	55	64	15	6	50	28
PRB4PB10-3/8†	10	3/8	27	26.0	28	26	55	64	15	8	50	28



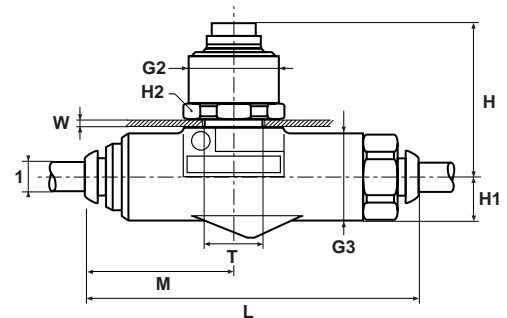
PRB4 Pressure Reducer Banjo Version with Threaded Connection

PART NO.	B	C1	C5	G1	G2	G3	H MIN.	H MAX.	H1	J	L	Y
PRB4-1/8†	1/8	19	19	19.5	22	20	49	57	12	6	45	21
PRB4-1/4	1/4	19	19	19.5	22	20	49	57	12	6	45	21
PRB4-3/8	3/8	24	27	26.0	28	26	55	64	15	6	56	28
PRB4-1/2†	1/2	30	30	30.0	32	31	75	86	23	8	63	33



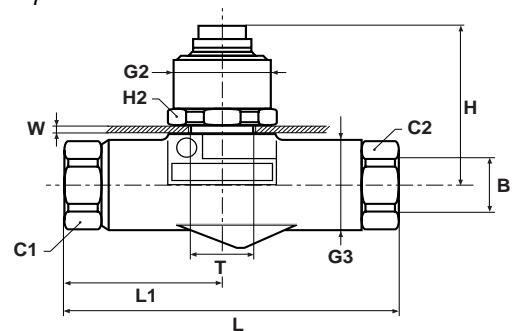
PRIPB Pressure Reducer In-Line Version with Push-In Connection

PART NO.	1	G2	G3	H MIN.	H MAX.	H1	H2	L	M	T MIN.	W MAX.
PRIPB6	6	11	21	49	57	14	22	75	32.5	18.5	4
PRIPB8	8	13	21	49	57	14	22	72	32.5	18.5	4
PRIPB10†	10	17	28	61	70	19	27	90	41.5	22.5	5



PRI4 Pressure Reducer In-Line Version with Threaded Connection

PART NO.	B	C1	C2	G2	G3	H MIN.	H MAX.	H1	H2	L	L1	T MIN.	W MAX.
PRI4-1/8	1/8	17	19	11	21	49	57	14	22	74	35	18.5	4
PRI4-1/4	1/4	17	19	13	21	49	57	14	22	83	44	18.5	4
PRI4-3/8	3/8	22	27	17	28	61	70	19	27	90	44	22.5	5
PRI4-1/2†	1/2	27	30	19	31	75	86	23	32	119	61	27.5	7



†Indicates non-standard part.

Only items priced in current price list are carried in stock. Dimensions shown may be changed at any time without prior notice.