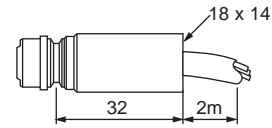


PWS-M -Plug-in Sensor-Electrical Output

PART NO.	WEIGHT GRAMS	OUTPUT FUNCTION	OUTPUT CONNECTION	OUTPUT CHARACTERISTICS
PWS-M1012	0.08	Electrical ~ Ve = 3 A	3 wires 0.5 mm ² long. 2 m	Contact OF 12 to 230 V ~ /10 VA 12 to 48 VCC/ 5W



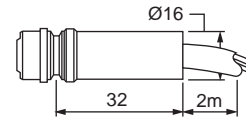
Level of Protection: IP40

Technical specification of model PWS-M : breaking pressure = 0.5 bar



PWS-E-Plug-in Sensor-Electronic Output

PART NO.	WEIGHT GRAMS	OUTPUT FUNCTION	OUTPUT CONNECTION	OUTPUT CHARACTERISTICS
PWS-E101	0.07	Type NF	Electronical	3 wires
PWS-E111	0.07	Type NO		0.1 mm ² long. 2 m
				PNP 10/30 V CC 75 mA



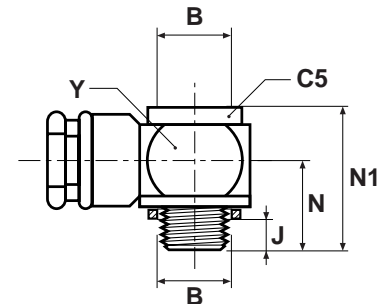
Level of Protection: IP67

Technical specification of model PWS-E : Pilot release pressure = 0.5 bar



PWS-B-Banjo Socket (with sensor locking clip)

B	PART NO.	C5	J	N	N1	Y	WEIGHT GRAMS	TOOL REQUIRED
M5x0.8	PWS-B155	8	5	18	28	11	0.04	Flat spanner 8 mm
1/8	PWS-B188	6	8	18	28	16	0.04	Allen key 5 mm
1/4	PWS-B199	8	10	18	28	21	0.05	Allen key 8 mm
3/8	PWS-B133	10	11	22	32	28	0.07	Allen key 10 mm
1/2	PWS-B122	12	12	26	38	33	0.11	Allen key 12 mm

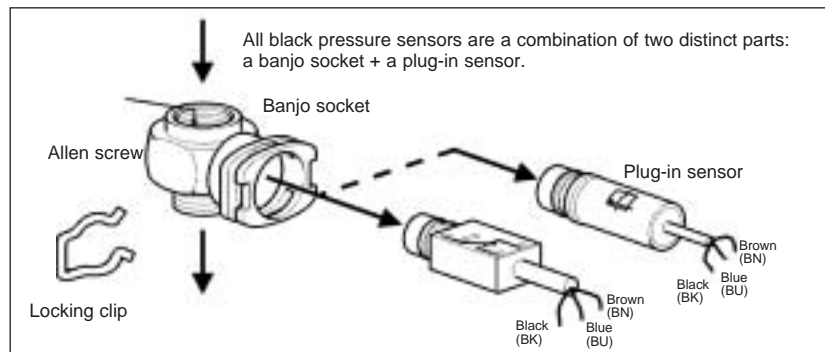


NEW PART NO.

PWS-M1012 + PWS-B155
 PWS-M1012 + PWS-B188
 PWS-M1012 + PWS-B199
 PWS-M1012 + PWS-B133
 PWS-M1012 + PWS-B122
 PWS-E101 + PWS-B155
 PWS-E101 + PWS-B188
 PWS-E101 + PWS-B199
 PWS-E101 + PWS-B133
 PWS-E101 + PWS-B122
 PWS-E111 + PWS-B155
 PWS-E111 + PWS-B188
 PWS-E111 + PWS-B199
 PWS-E111 + PWS-B133
 PWS-E111 + PWS-B122

OLD PART NO.

PTZ8M5
 PTZ4-1/8
 PTZ4-1/4
 PTZ4-3/8
 PTZ4-1/2
 PTE8M5
 PTE4-1/8
 PTE4-1/4
 PTE4-3/8
 PTE4-1/2
 PTE8M5C
 PTE4-1/8C
 PTE4-1/4C
 PTE4-3/8C
 PTE4-1/2C



All black pressure sensors are a combination of two distinct parts: a banjo socket + a plug-in sensor.

Only items priced in current price list are carried in stock. Dimensions shown may be changed at any time without prior notice.