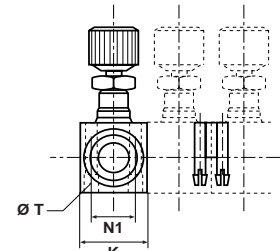
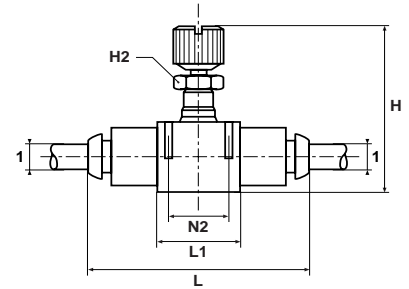


FC800 - In-Line Flow Control with Push-in Connection

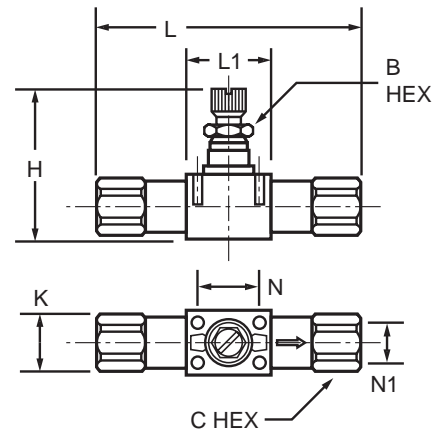
PART NO.	1 ØD	H MIN.	H MAX.	L	L1	K	N1	N2	T	ORIFICE	H2 (MM)
FC800-5/32	5/32	1.15	1.31	1.52	.59	.47	.31	.43	.09	.12	5
FC800-4	1/4	1.54	1.74	2.11	.90	.66	.43	.66	.12	.16	8
FC800-6	3/8	2.03	2.38	2.96	1.29	.94	.62	1.01	.16	.31	14
FC800-8	1/2	2.24	2.63	3.35	1.37	1.09	.78	1.07	.16	.39	14



Supplied with 2 clips

Threaded In-Line Flow Control FC806

PART NO.	THREAD SIZE	B HEX (MM)	C HEX (MM)	H CLOSED	H OPEN	L	L1	K	N	N1
FC806-2	1/8	13	8	1.56	1.75	2.70	.91	.67	.67	.43
FC806-4	1/4	16	11	1.73	1.97	3.27	1.02	.73	.79	.49
FC806-6	3/8	22	14	2.05	2.40	3.82	1.30	.94	1.02	.63
FC806-8	1/2	24	14	2.26	2.66	4.76	1.38	1.10	1.08	.79



C