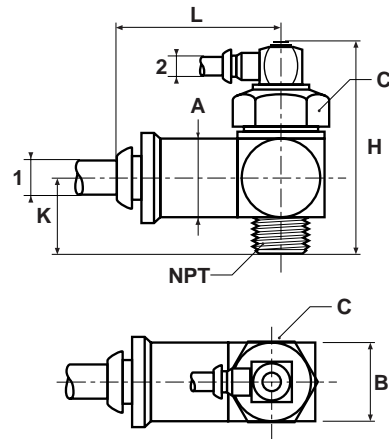


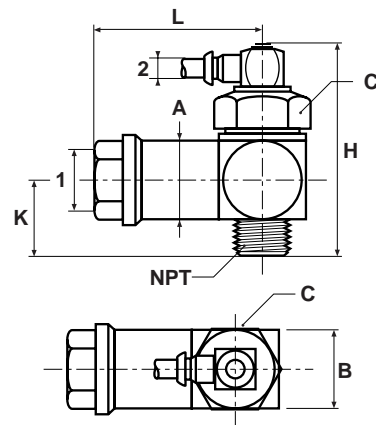
FC601 Blocker with Push-In Connection

PART NO.	TUBE 1	TUBE 2	NPT	FLOW	A	B	C	K	H	L
FC601-4-2	1/4	5/32	1/8	14.80	.86	.82	.94	.53	2.32	1.54
FC601-4-4	1/4	5/32	1/4	19.40	.86	.82	.94	.53	2.09	1.54
FC601-6-6	3/8	5/32	3/8	49.90	1.06	1.10	.94	.55	2.09	1.98
FC601-8-8	1/2	5/32	1/2	81.20	1.22	1.22	1.30	.94	2.59	2.59



FC602 Blocker with Threaded Connection

PART NO.	FEMALE THREAD 1	TUBE 2	FLOW	A	B	C	K	H	L	NPT
FC602-2	1/8	5/32	14.80	.86	.82	.94	.53	2.32	1.71	1/8
FC602-4	1/4	10-32	19.40	.86	.82	.94	.53	2.09	1.71	1/4
FC602-6	3/8	10-32	49.90	1.06	1.10	.94	.55	2.09	2.18	3/8
FC602-8	1/2	10-32	81.20	1.22	1.30	1.30	.94	2.59	2.47	1/2



C