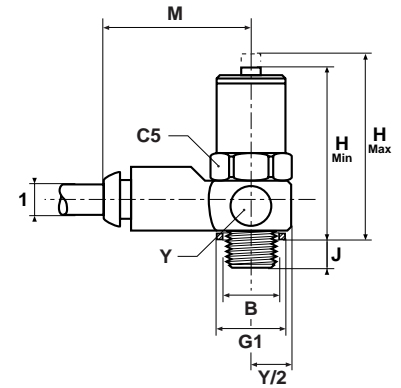


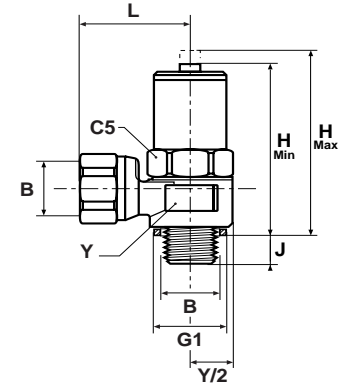
**PCV4PK Slow Start Fitting Power Valve Version with Push-In Connection**

PART NO.	1	B	C5	G1	H		J	M	Y	TORQUE MDAN	AIR FLOW	
					MIN.	MAX.					NL/MN AT 87 PSI	KV
PCV4PK8-1/4	8	1/4	17	17.5	54	61	9	35.0	20	1.3	1500	0.80
PCV4PK10-1/4†	10	1/4	22	19.5	55	62	9	41.5	25	1.3	2000	1.15
PCV4PK10-3/8†	10	3/8	22	21.0	55	62	10	41.5	25	1.5	2000	1.15



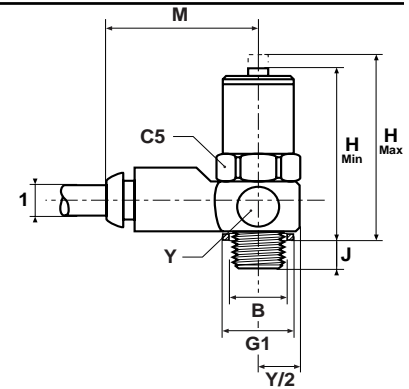
**PCV4 Slow Start Fitting Power Valve Version with Threaded Connection**

PART NO.	B	C5	G1	H		J	L	Y	TORQUE MDAN	AIR FLOW	
				MIN.	MAX.					NL/MN AT 87 PSI	KV
PCV4-1/4†	1/4	22	19.5	55	62	9	31	24	1.3	2000	1.15
PCV4-3/8	3/8	22	21.0	55	62	10	31	24	1.5	2000	1.15



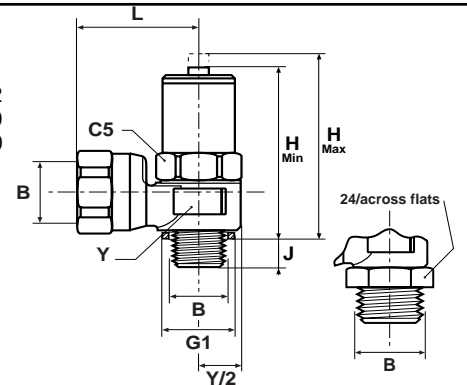
**PIV4PK Slow Start Fitting System Isolating Valve Version with Push-In Connection**

PART NO.	1	B	C5	G1	H		J	M	Y	TORQUE MDAN	AIR FLOW	
					MIN.	MAX.					NL/MN AT 87 PSI	KV
PIV4PK8-1/4	8	1/4	17	17.5	54.0	61.0	9	27.5	20	1.3	1500	0.8
PIV4PK10-1/4†	10	1/4	22	19.5	55.0	62.0	9	41.5	25	1.3	2100	1.2
PIV4PK10-3/8†	10	3/8	22	21.0	55.0	62.0	10	41.5	25	1.5	2200	1.3
PIV4PK12-3/8†	12	3/8	22	21.0	55.0	62.0	10	46.5	25	1.5	3100	1.0
PIV4PK12-1/2†	12	1/2	22	25.5	63.5	70.5	10	46.5	25	1.8	3100	1.0



**PIV4 Slow Start Fitting System Isolating Valve Version with Threaded Connection**

PART NO.	B	C5	G1	H		J	L	Y	TORQUE MDAN	AIR FLOW	
				MIN.	MAX.					NL/MN AT 87 PSI	KV
PIV4-1/4†	1/4	22	19.5	54.0	62.0	9	31.0	24	1.3	2100	1.2
PIV4-3/8†	3/8	22	21.0	55.0	62.0	10	31.0	24	1.5	3100	1.0
PIV4-1/2	1/2	24	25.5	63.5	70.5	10	34.5	24	1.8	3100	1.0



Specific to 1/2 size

†Indicates non-standard part.

Only items priced in current price list are carried in stock. Dimensions shown may be changed at any time without prior notice.