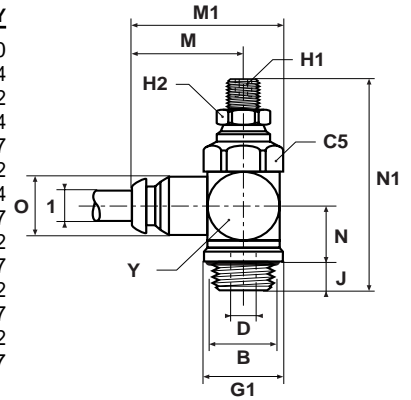


PTFL4/8PB Flow Regulator with Push-In Connection

PART NO.	1	B	C5	D	G1	H1	H2	J	M	M1	N	N1	O	Y
PTFL8PB4M5*	4	M5x0.8	8	1.65	10.0	1.5	8	4	19.5	24.5	6.3	28.5	10	10
PTFL4PB4-1/8	4	1/8	14	3.00	14.4	2.0	7	6	22.0	30.1	10.7	43.7	10	14
PTFL8PB6M5*	6	M5x0.8	8	1.65	10.0	1.5	8	4	20.5	26.5	7.3	31.0	12	12
PTFL4PB6-1/8	6	1/8	14	3.20	14.4	2.0	7	6	23.5	31.6	10.7	43.7	12	14
PTFL4PB6-1/4	6	1/4	17	5.20	18.4	4.0	11	7	25.0	34.9	13.8	51.8	12	17
PTFL4PB6-3/8	6	3/8	22	5.50	21.6	4.0	11	7	28.0	40.7	17.3	63.7	12	22
PTFL4PB8-1/8	8	1/8	14	3.20	14.4	2.0	7	6	25.0	33.1	10.7	43.7	14	14
PTFL4PB8-1/4	8	1/4	17	5.20	18.4	4.0	11	7	28.5	38.3	13.8	51.8	14	17
PTFL4PB8-3/8	8	3/8	22	6.00	21.6	4.0	11	7	29.5	42.2	17.3	63.7	14	22
PTFL4PB10-1/4	10	1/4	17	5.20	18.4	4.0	11	7	31.5	41.3	13.8	51.8	17	17
PTFL4PB10-3/8	10	3/8	22	6.00	21.6	4.0	11	7	34.0	46.7	17.3	63.7	17	22
PTFL4PB10-1/2	10	1/2	27	8.00	26.5	4.0	14	9	36.5	52.1	20.1	76.1	17	27
PTFL4PB12-3/8	12	3/8	22	6.00	21.6	4.0	11	7	34.0	46.7	17.3	63.7	20	22
PTFL4PB12-1/2	12	1/2	27	8.50	26.5	4.0	14	9	36.5	52.1	20.1	76.1	20	27

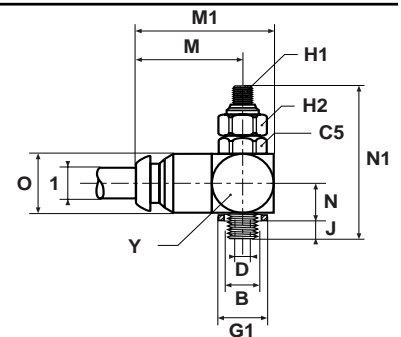
* These fittings are supplied with Nylon seal.



Exhaust Flow Control

PTFAL8PB Flow Regulator with Push-In Connection

PART NO.	1	B	C5	D	G1	H1	H2	J	M	M1	N	N1	O	Y
PTFAL8PB4M5	4	M5x0.8	8	1.65	10.0	1.5	8	4	19.5	24.5	6.3	28.5	10	10

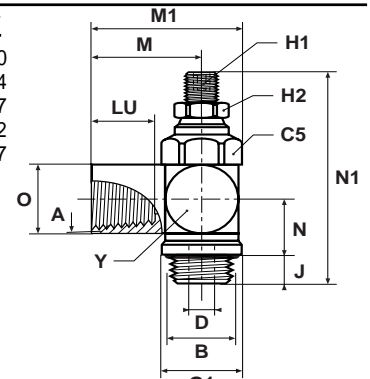


Inlet Flow Control

PTFL4/8 Flow Regulator with Threaded Connection

PART NO.	A	B	C5	D	G1	H1	H2	J	LU	M	M1	N	N1	O	Y
PTFL8M5*	M5x0.8	M5x0.8	8	1.65	10.0	1.5	8	4	5.0	11.0	16.0	6.3	28.5	8.0	10
PTFL4-1/8	1/8	1/8	14	3.20	14.4	2.0	7	6	8.5	17.5	25.6	10.7	43.7	13.9	14
PTFL4-1/4	1/4	1/4	17	5.20	18.4	4.0	11	7	12.5	24.5	34.3	10.7	51.8	16.9	17
PTFL4-3/8	3/8	3/8	22	6.00	21.6	4.0	11	7	12.5	27.5	40.2	13.8	63.7	21.6	22
PTFL4-1/2	1/2	1/2	27	8.50	26.5	4.0	14	9	14.5	33.5	49.1	17.3	76.1	26.5	27

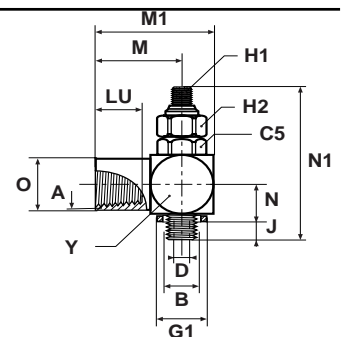
* These fittings are supplied with Nylon seal.



Exhaust Flow Control

PTFAL8 Flow Regulator with Threaded Connection

PART NO.	A	B	C5	D	G1	H1	H2	J	LU	M	M1	N	N1	O	Y
PTFAL8M5	M5x0.8	M5x0.8	8	1.65	10.0	1.5	8	4	5	11	16	6.3	28.5	8	10



Inlet Flow Control

Only items priced in current price list are carried in stock. Dimensions shown may be changed at any time without prior notice.