

**Prestoflow - Flow regulator - Locknut series**

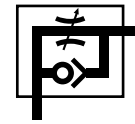
**Principle**

Prestoflow compact flow regulators are designed for mounting directly onto cylinder ports to provide precise control of piston rod speed. Thanks to their compactness they are particularly suitable for applications where space is at a premium. These unidirectional flow regulators are available for exhaust or inlet flow control.

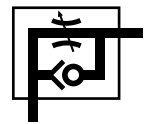
- A check valve blocks the full flow ports in the exhaust or inlet direction.
- The flow is controlled by a needle valve fitted in the regulator bolt.
- The adjustment screw can be locked in position to prevent tampering

**Flow adjustment**

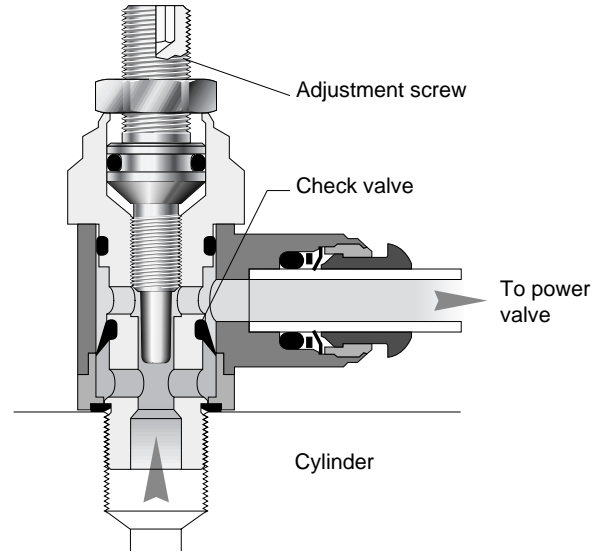
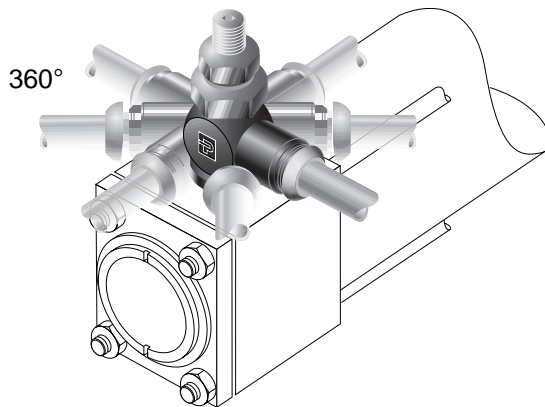
Flow control is adjusted with an Allen key. When the desired flow is set the adjusting screw can be locked using the locking nut. The large number of turns from fully closed to fully open allows for precise flow control.



Exhaust flow control



Inlet flow control



**Technical features**

BODY MATERIAL	BOLT MATERIAL	LOCK NUT	BOLT THREAD	SEALING DEVICE		TERMINATIONS		WORKING TEMPERATURE	WORKING PRESSURE
Brass Black Epoxy Coated	Brass	Brass	M5 1/8 BSPP 1/4 BSPP 3/8 BSPP 1/2 BSPP	M5 Thread Nylon Washer	1/8 - 1/2 BSPP Nitrile E.D. Seal	4 mm - 12 mm Push-In Connection	1/8 - 1/2 BSPP +M5 Female Thread DIN 3852 Long	From 0° to +200° F	140 PSI

