

Prestoflow - Flow regulator - Compact series

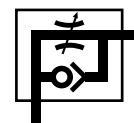
Principle

Prestoflow compact flow regulators are designed for mounting directly onto cylinder ports to provide precise control of piston rod speed. Thanks to their compactness they are particularly suitable for applications where space is at a minimum. These unidirectional flow regulators are available for exhaust or inlet flow control.

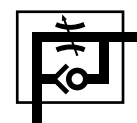
- A check valve blocks the full flow ports in the exhaust or inlet direction.
- The flow is controlled by a needle valve fitted in the regulator bolt.

Flow adjustment

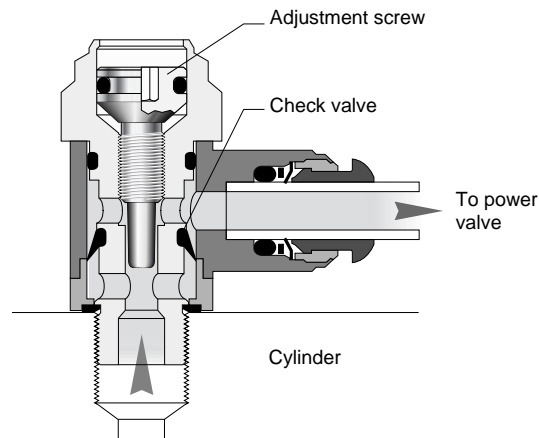
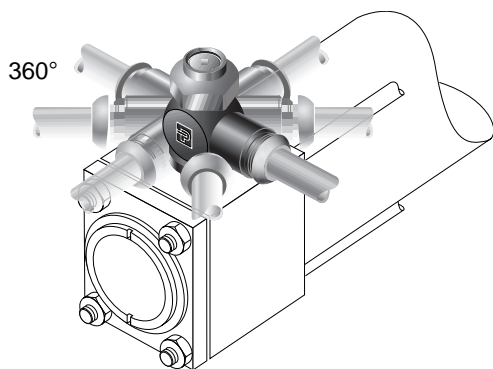
Flow control is adjusted with an Allen key. The large number of turns from fully closed to fully open allows for precise flow control.



Exhaust flow control



Inlet flow control



Technical

BODY MATERIAL	BOLT MATERIAL	BOLT THREAD	SEALING DEVICE		TERMINATIONS		WORKING TEMPERATURE	WORKING PRESSURE
Brass Black Epoxy Coated	Brass	M5 1/8 BSPP 1/4 BSPP 3/8 BSPP 1/2 BSPP	M5 Thread Nylon Washer	1/8 - 1/2 BSPP Nitrile E.D. Seal	4 mm - 12 mm Push-In Connection	1/8 - 1/2 BSPP +M5 Female Thread DIN 3852 Long	From 0° to +200° F	140 PSI

