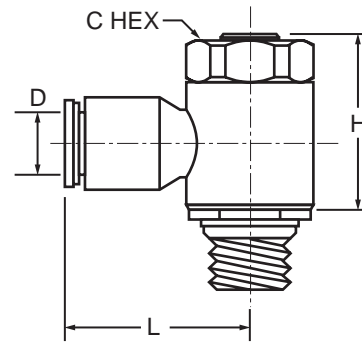


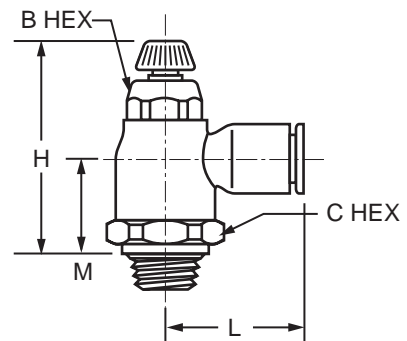
Knobless Compact Flow Control FCC701

PART NO.	TUBE SIZE	THREAD SIZE	C HEX (MM)	H	L
FCC701-2-2	1/8	1/8	13	.79	.75
FCC701-5/32-2	5/32	1/8	13	.79	.75
FCC701-4-2	1/4	1/8	13	.79	.85
FCC701-4-4	1/4	1/4	17	1.04	.89
FCC701-5-2	5/16	1/8	13	.79	1.02
FCC701-5-4	5/16	1/4	17	1.04	1.06
FCC701-6-4	3/8	1/4	17	1.04	1.14
FCC701-6-6	3/8	3/8	20	1.14	1.36



Compact Exhaust Flow Control FCC703

PART NO.	TUBE SIZE	THREAD SIZE	B HEX	C HEX	H CLOSED	H OPEN	L	M
FCC703-5/32-2	5/32	1/8	.39	.63	1.44	1.67	.85	.59
FCC703-4-2	1/4	1/8	.39	.63	1.44	1.67	.85	.59
FCC703-6-4	3/8	1/4	.67	.91	1.71	2.03	1.22	.71



Push-to-Connect Exhaust Metal Flow Control FC705

PART NO.	TUBE SIZE	THREAD SIZE	B HEX	C HEX	H CLOSED	H OPEN	L	M
FC705-5/32-2	5/32	1/8	.39	.75	1.79	2.01	.85	.87
FC705-4-2	1/4	1/8	.39	.75	1.79	2.01	.85	.87
FC705-4-4	1/4	1/4	.39	.75	1.79	2.01	.97	.87
FC705-6-4	3/8	1/4	.55	.75	1.91	2.11	1.14	.91
FC705-6-6	3/8	3/8	.67	.99	2.15	2.40	1.40	.91

