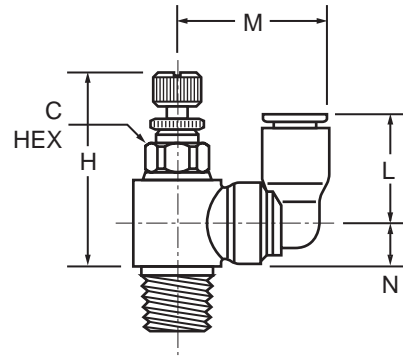


Miniature Swivel Outlet Flow Control FCS703

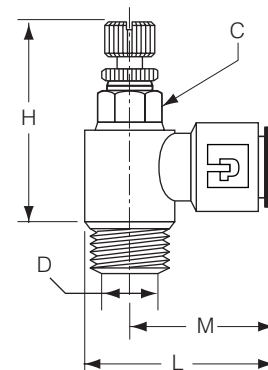
PART NO.	TUBE SIZE	THREAD SIZE	C HEX (MM)	H CLOSED	H OPEN	L	M	N
FCS703-5/32-0	5/32	10-32	6	.96	1.08	.55	.73	.26
FCS703-5/32-2	5/32	1/8	8	1.08	1.20	.55	.73	.33



Miniature Exhaust Flow Control FCM701

Composite Body

PART NO.	TUBE SIZE	THREAD SIZE	C HEX (MM)	H CLOSED	H OPEN	L	M	FLOW DIA. D
FCM701-5/32-0	5/32	10-32	6	.925	1.023	.846	.669	.080
FCM701-5/32-2	5/32	1/8	7	1.000	1.083	.935	.708	.100
FCM701-4-0	1/4	10-32	6	.925	1.023	.885	.708	.080
FCM701-4-2	1/4	1/8	7	1.000	1.083	.957	.730	.100
FCM701-4-4	1/4	1/4	8	1.083	1.180	1.013	.748	.160



Knobless Miniature Exhaust Flow Control FCM703

Composite Body

PART NO.	TUBE SIZE	THREAD SIZE	C HEX (MM)	H CLOSED	H OPEN	L	M	FLOW DIA. D
FCM703-5/32-0	5/32	10-32	6	.650	.787	.846	.669	.080
FCM703-5/32-2	5/32	1/8	6	.708	.860	.935	.708	.100
FCM703-4-0	1/4	10-32	6	.650	.790	.825	.650	.080
FCM703-4-2	1/4	1/8	7	.708	.860	.956	.730	.100
FCM703-4-4	1/4	1/4	8	.826	.964	1.013	.748	.160

