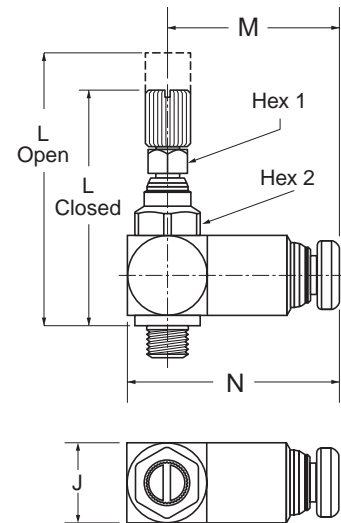


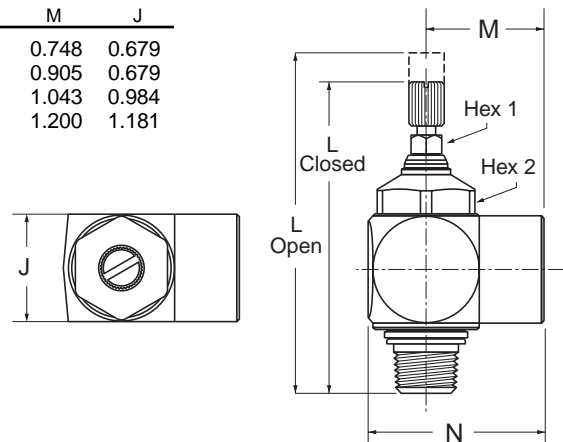
Flow Control with Push-in Connector FC701

PART NO.	TUBE SIZE	THREAD SIZE	HEX 1	HEX 2	L OPEN	L CLOSED	N	M	J
FC701-2-0	1/8	10-32	1/16	5/16	1.363	1.167	1.040	0.870	0.393
FC701-2-2	1/8	1/8	5/16	5/8	2.181	2.000	1.330	0.961	0.679
FC701-5/32-0	5/32	10-32	1/16	5/16	1.363	1.167	1.067	0.870	0.393
FC701-5/32-2	5/32	1/8	5/16	5/8	2.181	2.000	1.370	1.000	0.679
FC701-5/32-4	5/32	1/4	5/16	5/8	2.566	2.318	1.377	1.008	0.679
FC701-4-2	1/4	1/8	5/16	5/8	2.181	2.000	1.361	0.992	0.679
FC701-4-4	1/4	1/4	5/16	5/8	2.566	2.318	1.381	1.011	0.679
FC701-4-6	1/4	3/8	5/16	13/16	3.157	2.696	1.582	1.090	0.984
FC701-6-4	3/8	1/4	5/16	5/8	2.566	2.318	1.507	1.138	0.679
FC701-6-6	3/8	3/8	5/16	13/16	3.157	2.696	1.677	1.177	0.984
FC701-6-8	3/8	1/2	9/16	1	3.858	3.287	1.866	1.276	1.181
FC701-8-8	1/2	1/2	9/16	1	3.858	3.287	2.024	1.433	1.181



Flow Control with Threaded Connection FC702

PART NO.	MALE PIPE	FEMALE PIPE	HEX 1	HEX 2	L OPEN	L CLOSED	N	M	J
FC702-2	1/8	1/8	5/16	5/8	2.181	2.000	1.117	0.748	0.679
FC702-4	1/4	1/4	5/16	5/8	2.566	2.318	1.274	0.905	0.679
FC702-6	3/8	3/8	5/16	13/16	3.157	2.696	1.535	1.043	0.984
FC702-8	1/2	1/2	9/16	1	3.858	3.287	1.791	1.200	1.181



Flow Control with Swivel Outlet FCS701

PART NO.	TUBE SIZE	THREAD SIZE	HEX 1	HEX 2	L OPEN	L CLOSED	N	M	J
FCS701-2-2	1/8	1/8	5/16	5/8	2.181	2.000	1.240	0.620	0.679
FCS701-5/32-0	5/32	10-32	1/16	5/16	1.363	1.167	0.854	0.401	0.393
FCS701-5/32-2	5/32	1/8	5/16	5/8	2.181	2.000	1.239	0.618	0.679
FCS701-5/32-4	5/32	1/4	5/16	5/8	2.566	2.318	1.240	0.620	0.679
FCS701-4-2	1/4	1/8	5/16	5/8	2.181	2.000	1.318	0.657	0.679
FCS701-4-4	1/4	1/4	5/16	5/8	2.566	2.318	1.318	0.657	0.679
FCS701-5-4	5/16	1/4	5/16	5/8	2.566	2.318	1.392	0.696	0.679
FCS701-6-4	3/8	1/4	5/16	5/8	2.566	2.319	1.535	0.755	0.679
FCS701-6-6	3/8	3/8	5/16	13/16	3.157	2.696	1.740	0.834	0.984
FCS701-6-8	3/8	1/2	9/16	1	3.858	3.287	1.619	0.992	1.181

