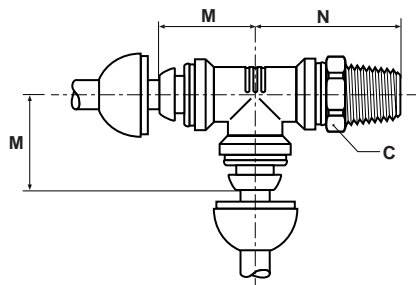


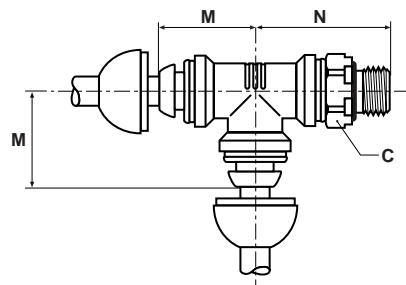
**R63PK Adjustable Male Run Tee BSPT**

PART NO.	TUBE SIZE	BSPT	C HEX	M	N
R63PK10-3/8	10	3/8	17	28.5	39.0
R63PK12-1/4	12	1/4	19	30.0	41.5
R63PK12-3/8	12	3/8	19	30.0	41.0
R63PK12-1/2	12	1/2	22	30.0	44.5
R63PK14-3/8	14	3/8	22	33.5	45.5
R63PK14-1/2	14	1/2	22	33.5	48.0



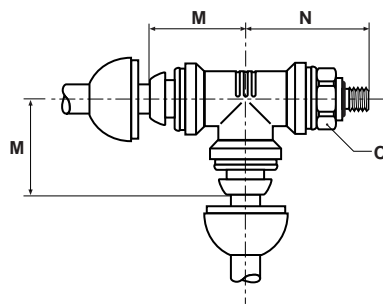
**R64PK Adjustable Male Run Tee BSPP**

PART NO.	TUBE SIZE	BSPP	C HEX	M	N
R64PK4-1/8	4	1/8	14	18.0	25.5
R64PK4-1/4	4	1/4	19	18.0	30.5
R64PK6-1/8	6	1/8	14	20.5	27.0
R64PK6-1/4	6	1/4	19	20.5	32.0
R64PK8-1/8	8	1/8	14	22.5	29.0
R64PK8-1/4	8	1/4	19	22.5	34.0
R64PK8-3/8	8	3/8	22	22.5	35.0
R64PK10-1/4	10	1/4	19	28.5	39.0
R64PK10-3/8	10	3/8	22	28.5	40.0
R64PK12-1/4	12	1/4	19	30.0	40.5
R64PK12-3/8	12	3/8	22	30.0	41.5
R64PK14-3/8	14	3/8	22	33.5	45.0
R64PK14-1/2	14	1/2	27	33.5	49.5



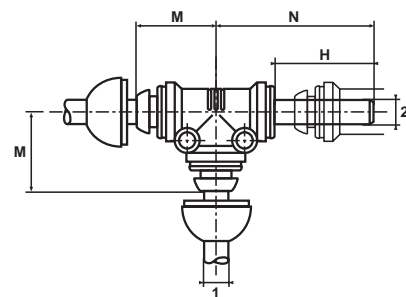
**R68PK Adjustable Male Run Tee Metric Straight Thread**

PART NO.	TUBE SIZE	MM THREAD	C HEX	M	N
R68PK4M3	4	M3x0.5	10	18.0	22.0
R68PK4M5	4	M5x0.8	10	18.0	23.5
R68PK6M5	6	M5x0.8	11	20.5	25.0
R68PK8M12	8	M12x1.5	17	22.5	35.0
R68PK8M16	8	M16x1.5	22	22.5	35.0
R68PK8M22	8	M22x1.5	27	22.5	39.0



**T2JJPk Plug-in Run Tee**

PART NUMBER	TUBE 1 SIZE	TUBE 2 SIZE	MOUNTING HOLE DIA.	H	M	N
T2JJPk4	4	4	3.2	19.5	18.0	33.5
T2JJPk6	6	6	4.2	21.0	20.5	36.5
T2JJPk8	8	8	4.2	22.0	22.5	39.5



**B**