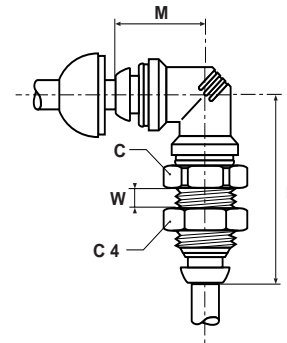


WE6PK 90° Adjustable Bulkhead Union Elbow

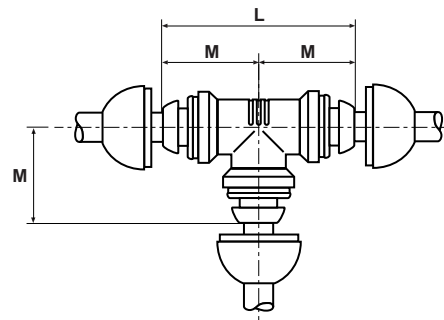
PART NO.	TUBE SIZE	MM THREAD	C	C4	M	L	W	BULKHEAD HOLE DIA.
WE6PK4	4	M11x0.75	14	16	18.0	37	6	11mm
WE6PK6	6	M13x1	17	17	20.5	39	6	13mm
WE6PK8	8	M15x1.25	19	19	22.5	43	6	15mm
WE6PK10	10	M18x1	22	22	28.5	54	8	18mm
WE6PK12	12	M23x1.5	27	27	30.0	59	10	23mm



B

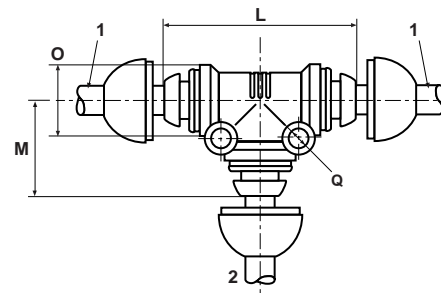
JPK Equal Tee

PART NO.	TUBE SIZE	L	M
JPK4	4	36	18.0
JPK6	6	41	20.5
JPK8	8	45	22.5
JPK10	10	57	28.5
JPK12	12	60	30.0
JPK14	14	67	33.5



JPK Unequal Tee

PART NO.	1 TUBE SIZE	2 TUBE SIZE	Ø3	L	M	O	Q
JPK6-6-4	6	4	4.20	41	21.5	15	17.0
JPK8-8-6	8	6	4.20	45	22.5	17	19.0
JPK10-10-8	10	8	4.20	57	28.5	21	23.5
JPK12-12-10	12	10	4.20	60	30.0	23	25.5
JPK4-4-6	4	6	4.20	43	20.5	15	17.0
JPK6-6-8	6	8	4.20	45	22.5	17	19.0
JPK8-8-10	8	10	4.20	57	28.5	21	23.5
JPK10-10-12	10	12	4.20	61	30.5	23	25.5



R63PK Adjustable Male Run Tee BSPT

PART NO.	TUBE SIZE	BSPT	C HEX	M	N
R63PK4-1/8	4	1/8	10	18.0	25.5
R63PK4-1/4	4	1/4	14	18.0	29.0
R63PK6-1/8	6	1/8	11	20.5	27.0
R63PK6-1/4	6	1/4	14	20.5	30.5
R63PK8-1/8	8	1/8	14	22.5	29.5
R63PK8-1/4	8	1/4	14	22.5	32.5
R63PK8-3/8	8	3/8	17	22.5	34.0
R63PK10-1/4	10	1/4	17	28.5	40.0

Continued on next page

