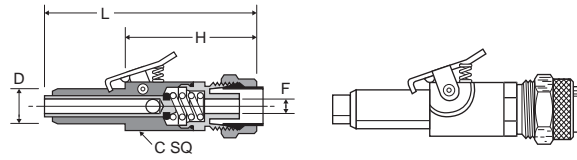


A

Shut-Off Type Insert 393PDSS

(Stainless Steel)

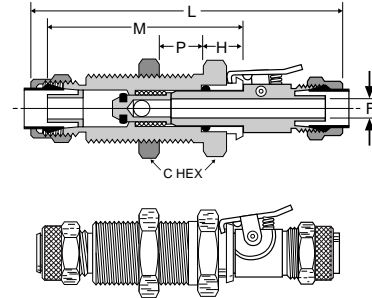
PART NO.	TUBE O.D.	L	C SQUARE	H	FLOW DIA. F
393PDSS-4-4	1/4	2.46	.500	1.62	.116
393PDSS-6-6	3/8	2.60	.500	1.67	.157



Single End Shutoff Bulkhead Quick Coupler 394P

(Chrome Plated)

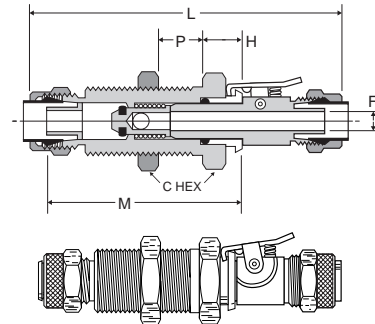
PART NO.	TUBE SIZE	STRAIGHT THREAD	C HEX	P MAX.	H	L	M	BULKHEAD HOLE DIA.	FLOW DIA. F
394P-4-4	1/4	1/2-24	5/8	.84	.39	3.28	2.13	1/2	.125
394P-6-6	3/8	11/16-24	13/16	.93	.37	3.41	2.01	11/16	.203



Coupler Single End Shut-Off Bulkhead 394PSS

(Stainless Steel)

PART NO.	TUBE O.D.	BULKHEAD THREAD	L	M	C HEX	H	P MAX.	FLOW DIA. F
394PSS-4-4	1/4	1/2-24	3.05	2.06	.625	.31	.84	.125
394PSS-6-6	3/8	11/16-24	3.50	2.23	.812	.34	.93	.203



Double End Shutoff Bulkhead Quick Coupler 394PD

(Chrome Plated)

PART NO.	TUBE SIZE	STRAIGHT THREAD	C HEX	P MAX.	H	L	M	BULKHEAD HOLE DIA.	FLOW DIA. F
394PD-4-4	1/4	1/2-24	5/8	.84	.39	3.77	2.13	1/2	.125
394PD-6-6	3/8	11/16-24	13/16	.93	.37	3.48	2.01	11/16	.204

