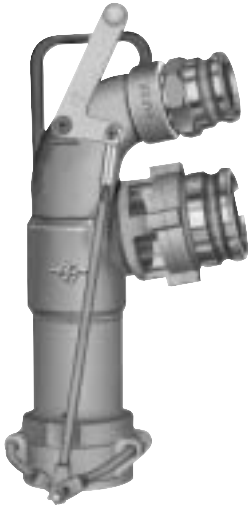


PART VR400A

**COAXIAL DELIVERY
ELBOW-VAPOR ON TOP
PRODUCT ON BOTTOM**

Made in U.S.A.

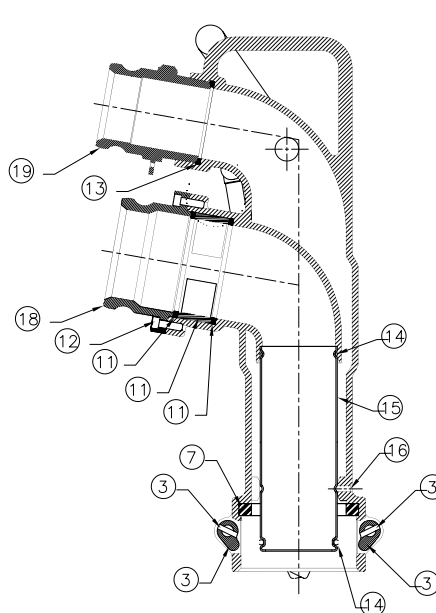
**Complete Assembly**

Item #	Description	List Price
88000400	VR400A with 4" Adapter	\$524.03

30F Alum Adapter Included.

PART VR400A**REPAIR PARTS LIST**

Ref #	Item #	Description	List Price
1	86004101	Cam Arm - Right	\$22.60
2	86004102	Cam Arm - Left	\$22.60
3	86004120	Cam Assembly Kit	\$8.36
4	86004104	Actuation Lever	\$18.16
5	86004124	Connecting Link Kit	\$36.72
6	86004106	Rod End	\$8.80
7	86004002	Coupler Gasket	\$3.15
8	86004108	Lever Bolt	\$2.57
9	86004109	Rod End Bolt	\$1.30
10	86004121	Connecting Link Pin Kit	\$3.61
11	86004123	Sight Glass Kit	\$14.25
12	86004122	Capscrew Kit	\$5.64
13	5504230	B30ASY Gasket	\$0.68
14	88000420	VR400A Tube Seal Kit	\$7.58
15	88000406	VR400A A Tube	\$41.85
16	88000424	Set Screw	\$0.95
17	88004003	UVR Connecting Link	\$27.41
18	86004014	TF40A Adapter	\$39.10
19	1000630	30F Alum Adapter	\$21.64



WEIGHT = 17.2 LBS.

