

# OETIKER ALSI Worm Drive Clamps

Product Group **180**



## Features

- Toggle lock for simple, timesaving installation
- Toggle has intermediate position to prevent unintended opening
- Visual indication to protect against overloading
- Higher tightening torque than required by DIN 3017
- Screw with 5 A/F socket for safe installation

### Version with wing screw

- Alternative with wing screw – a tool integrated in the clamp



Version with wing screw

## ALSI Universal Worm Drive Clamps

Using strip supplied in 10, 20, or 30 metre rolls and the correct fastener, you can make a clamp for any diameter above 50 mm.



OETIKER ALSI Worm Drive Clamps with toggle lock, intermediate position, and visual overload protection are suitable for a multitude of applications. i.e. telecommunications equipment, mounting signs and notices, in construction, in horticulture and farming, in ship and boat building, for general workshop use, etc. The toggle fastener ensures simple, timesaving installation, even under difficult conditions.

ALSI Clamps are based on DIN 3017, but they will withstand tightening torques up to 10 Nm. On the standard version, tensioning is carried out using a 5 A/F DIN 911 hexagon key. For especially quick and easy installation, the ALSI F version is available with a wing screw.

The specially shaped wings of the screw ensure a good grip for fast assembly and dismantling without the need for a separate tool.

## Material

- **180 W4** Strip and fastener:  
Stainless Steel, Material no. 1.4301 / UNS S30400
- Screw:  
Stainless Steel, Material no. 1.4305 / UNS S30300

*Size range*                      *Width x Thickness*

30.0 - 500.0 mm      12.2 x 0.9 mm

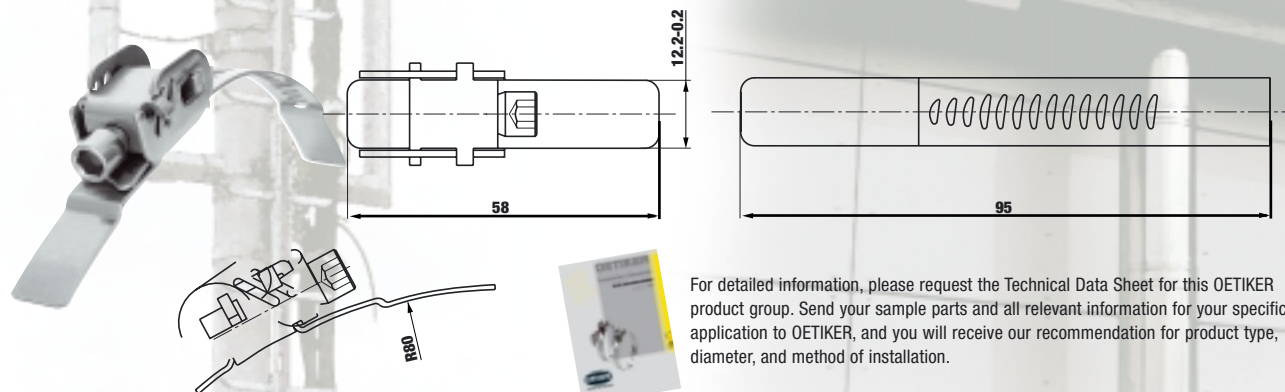
Customer-specific sizes up to 1000 mm diameter available on request.

## Installation

Installation instructions available on request.

## Two-Piece ALSI Worm Drive Clamps

Two-Piece ALSI Worm Drive Clamps are used to assemble applications, which do not have their own fasteners, e.g. the pipe ends of stainless steel chimneys.



For detailed information, please request the Technical Data Sheet for this OETIKER product group. Send your sample parts and all relevant information for your specific application to OETIKER, and you will receive our recommendation for product type, diameter, and method of installation.