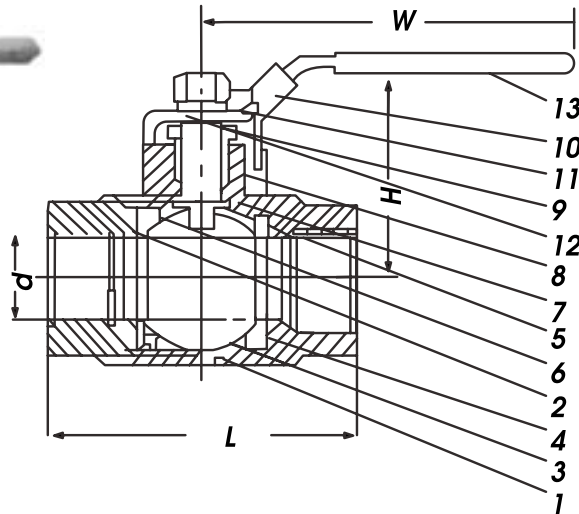


**TWO PIECE FULL PORT BALL VALVE**

316 Stainless Steel

**1000 PSI**

Yellow locking handle now standard



dimensions (inches)

Part#	Size	D	L	H	W	List
949-161	1/4"	.46	2.24	1.93	4.13	32.31
949-162	3/8"	.50	2.24	1.93	4.13	33.59
949-163	1/2"	.59	2.48	2.01	4.13	35.92
949-164	3/4"	.78	2.95	2.28	5.12	51.23
949-165	1"	.98	3.50	2.76	5.71	67.80
949-166	1-1/4"	1.26	4.13	2.87	5.71	99.69
949-167	1-1/2"	1.50	4.65	3.29	7.48	132.56
949-168	2"	2	5.35	3.62	7.48	242.92

Larger sizes available on special order basis

*Private Label handles available.  
See Page 173 for details*

Item	Parts	Material
1	Body	316SS ASTM-A351 CF8M
2	Body Cap	316SS ASTM-A351 CF8M
3	Ball	316SS ASTM-A351 CF8M
4	Seat	Reinforced PTFE
5	Stem	AISI 316 SS
6	Seal	Reinforced PTFE
7	Thrust Washer	Reinforced PTFE
8	Packing	Reinforced PTFE
9	Gland Nut	AISI 304SS
10/11	Nut & Washer	AISI 304SS
12	Handle	AISI 304SS
13	Plastic Cover	Plastic

SS = Stainless Steel

**VALVES**

