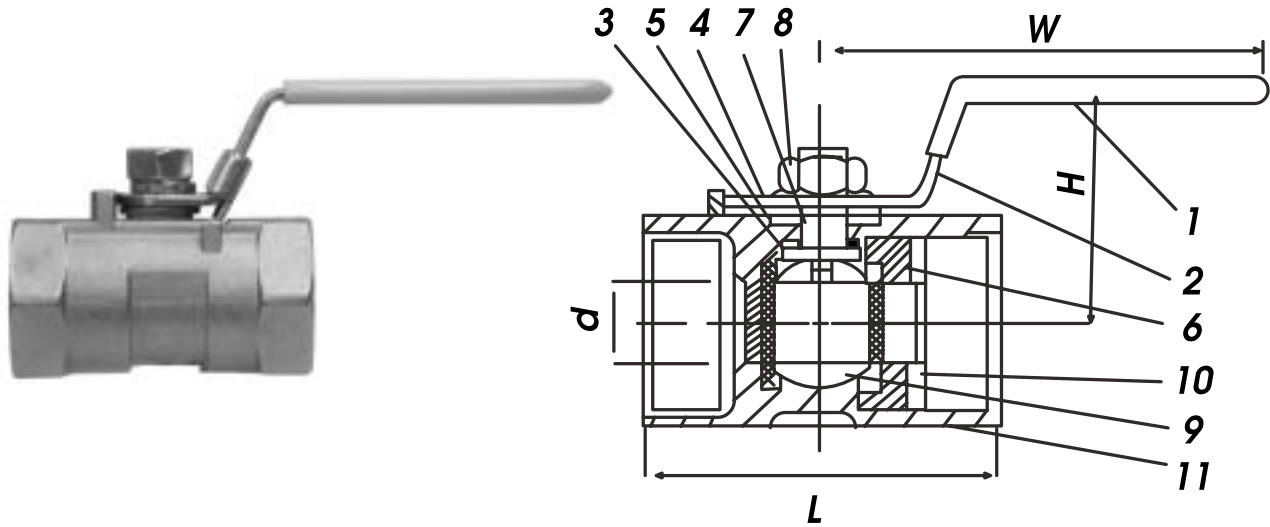


ONE PIECE STANDARD PORT BALL VALVE

316 Stainless Steel

1000 PSI

Yellow locking handle now standard



VALVES

dimensions (inches)

Part#	Size	D	L	H	W	List
949-101	1/4"	.18	2.24	1.54	3.15	17.98
949-102	3/8"	.27	2.24	1.73	3.15	25.17
949-103	1/2"	.36	2.48	2.20	3.62	26.72
949-104	3/4"	.49	2.95	2.32	3.62	33.09
949-105	1"	.59	3.50	2.80	4.13	42.91
949-106	1-1/4"	.79	4.13	3.07	4.13	64.05
949-107	1-1/2"	.98	4.65	3.27	5.08	81.04
949-108	2"	1.26	5.35	3.94	5.08	102.44

Larger sizes available on special order basis

*Private Label handles available.
See Page 173 for details*

Item	Parts	Material
1	Plastic Cover	Plastic
2	Handle	AISI 304 SS
3	Thrust Washer	PTFE
4	Packing Ring	AISI 304 SS
5	Stem Packing	PTFE
6	Seat	PTFE
7	Seat	AISI 316 SS
8	Stem Nut	AISI 304 SS
9	Ball	316SS ASTM-A351 CF8M
10	Cap	316SS ASTM-A351 CF8M
11	Body	316SS ASTM-A351 CF8M

SS = Stainless Steel

